



US00D391374S

United States Patent [19]
Stafford

[11] **Patent Number: Des. 391,374**
[45] **Date of Patent: **Feb. 24, 1998**

[54] **HELMET-SHAPED INFLATABLE ENCLOSURE**
[76] **Inventor: Michael Stafford**, 19705 Allisonville Ave., Noblesville, Ind. 46060
[**] **Term: 14 Years**
[21] **Appl. No.: 56,583**
[22] **Filed: Jul. 2, 1996**
[51] **LOC (6) Cl. 25-03**
[52] **U.S. Cl. D25/7**
[58] **Field of Search D25/7, 31, 19, D25/13, 16; D24/253; 52/2.18; 135/124, 87, 88.09, 91, 908**

[56] **References Cited**
U.S. PATENT DOCUMENTS
D. 246,469 11/1977 Morton et al. D25/7
D. 363,993 11/1995 Johnson et al. D25/16

Primary Examiner—Doris Clark
Attorney, Agent, or Firm—Woodard, Emhardt, Naughton, Moriarty & McNett

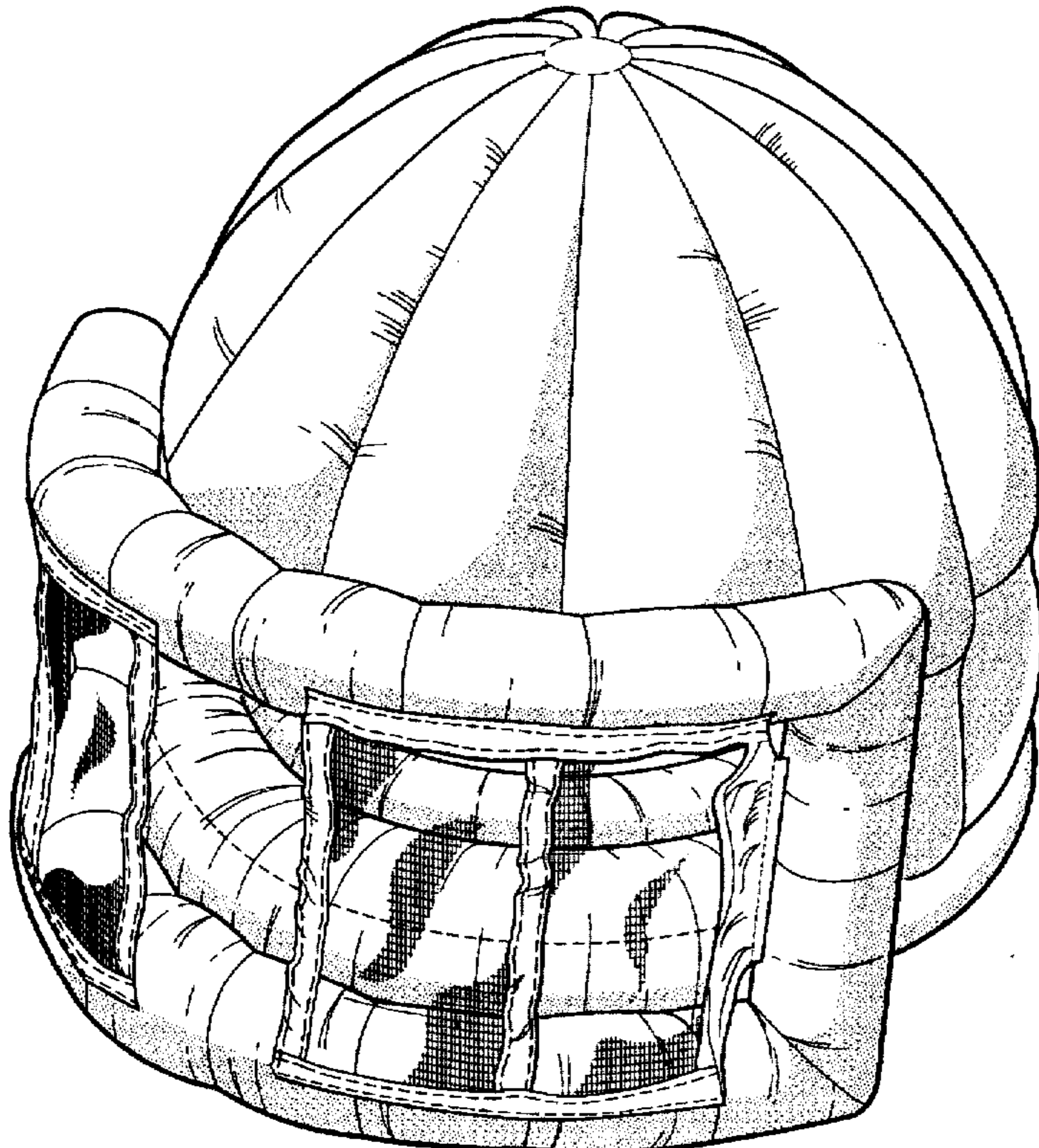
[57] **CLAIM**
The ornamental design for a helmet-shaped inflatable enclosure, as shown and described.

DESCRIPTION

FIG. 1 is a top, front, and right side perspective view of a

helmet-shaped inflatable enclosure, showing one embodiment of the new design;
FIG. 2 is a front elevational view with the entrance netting removed;
FIG. 3 is a right side elevational view thereof, the left side being a mirror image;
FIG. 4 is a rear elevational view thereof;
FIG. 5 is a top plan view thereof;
FIG. 6 is a bottom plan view thereof;
FIG. 7 is a top, front, right side perspective view of a helmet-shaped inflatable enclosure, showing second embodiment of the new design;
FIG. 8 is a front elevational view with the entrance netting removed;
FIG. 9 is a right side elevational view thereof, the left side being a mirror image;
FIG. 10 is a rear elevational view thereof; and,
FIG. 11 is a top plan view thereof, the bottom being plain and unornamented.

1 Claim, 7 Drawing Sheets



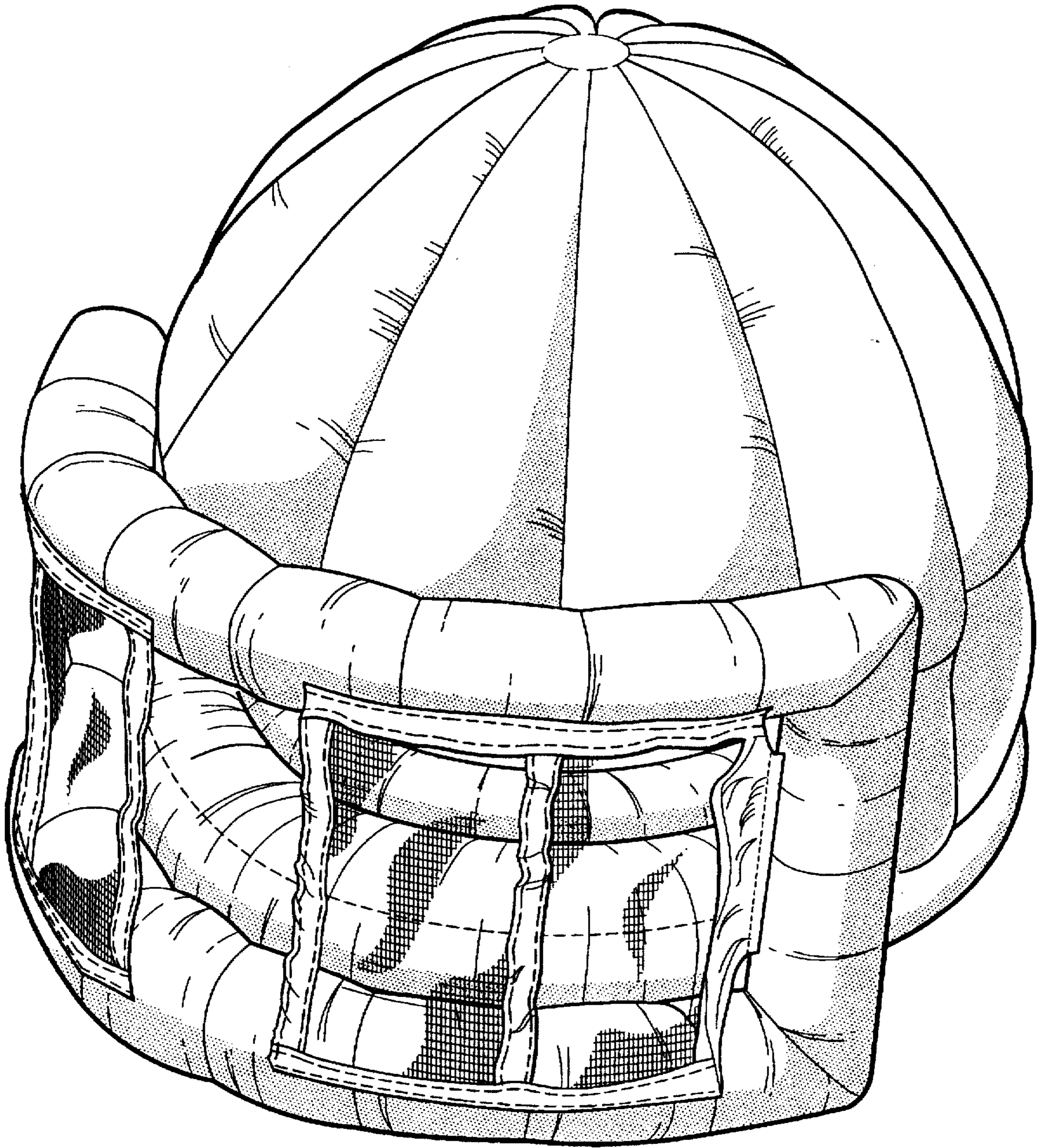


Fig. 1

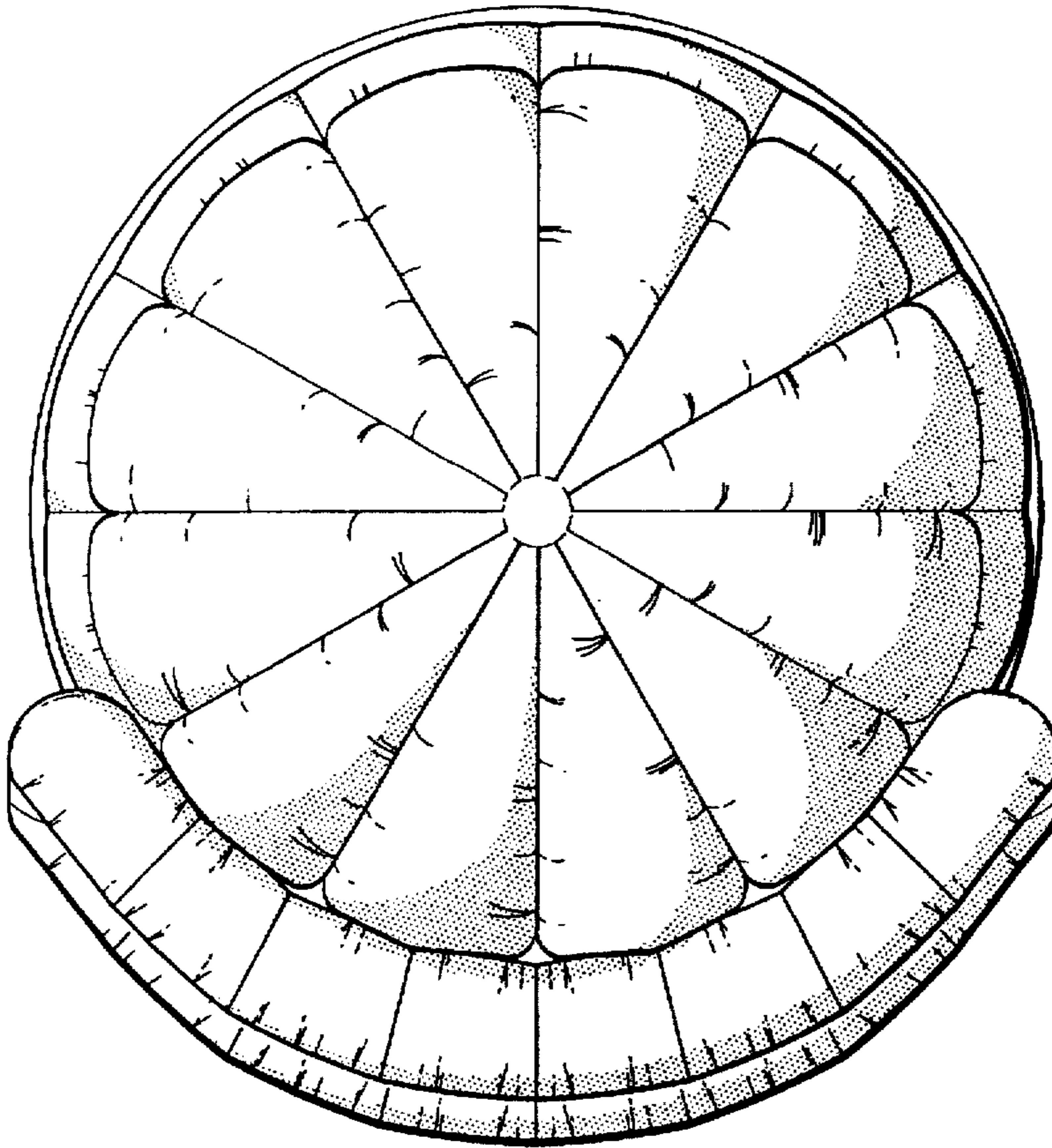


Fig. 5

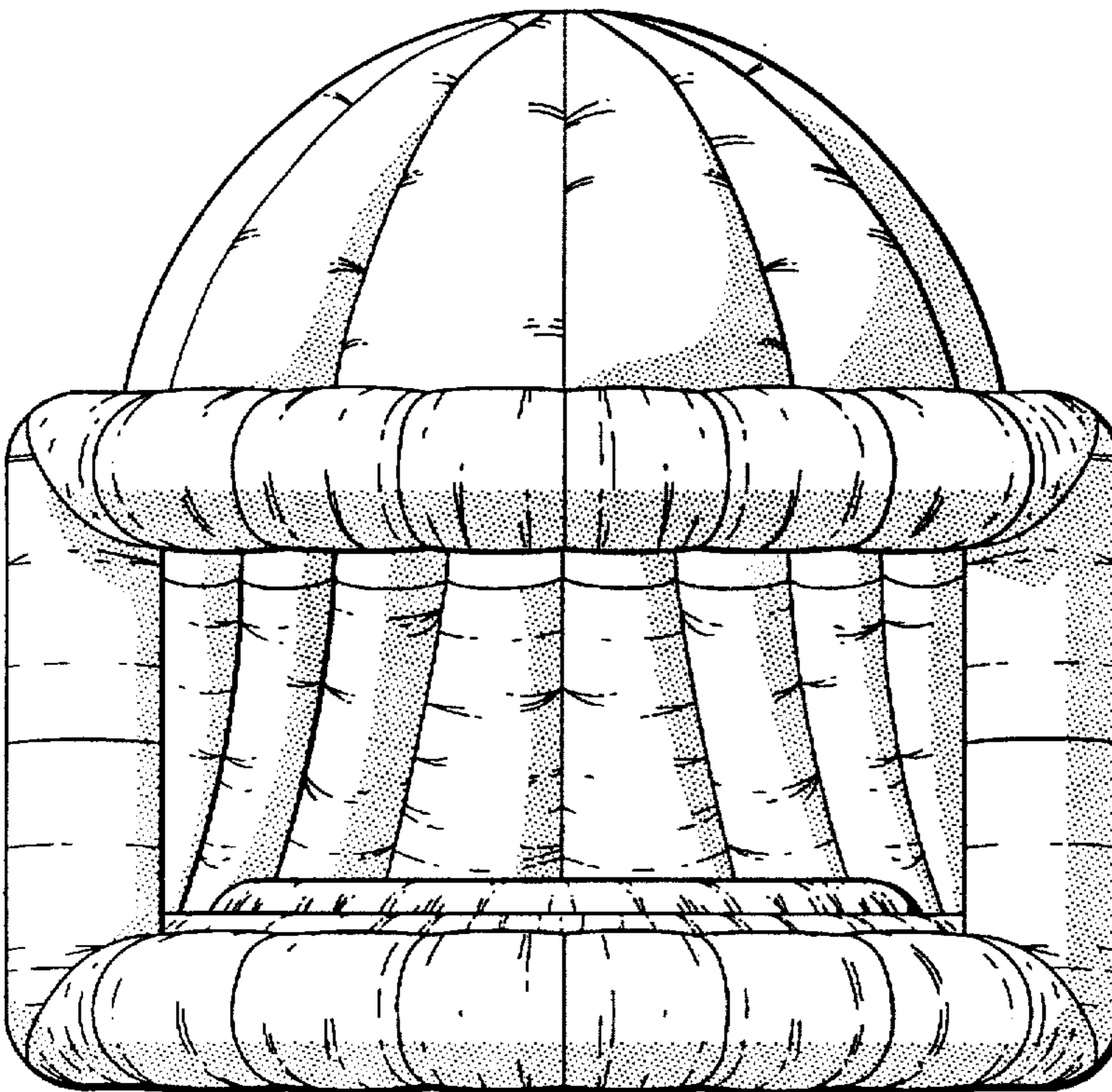


Fig. 2

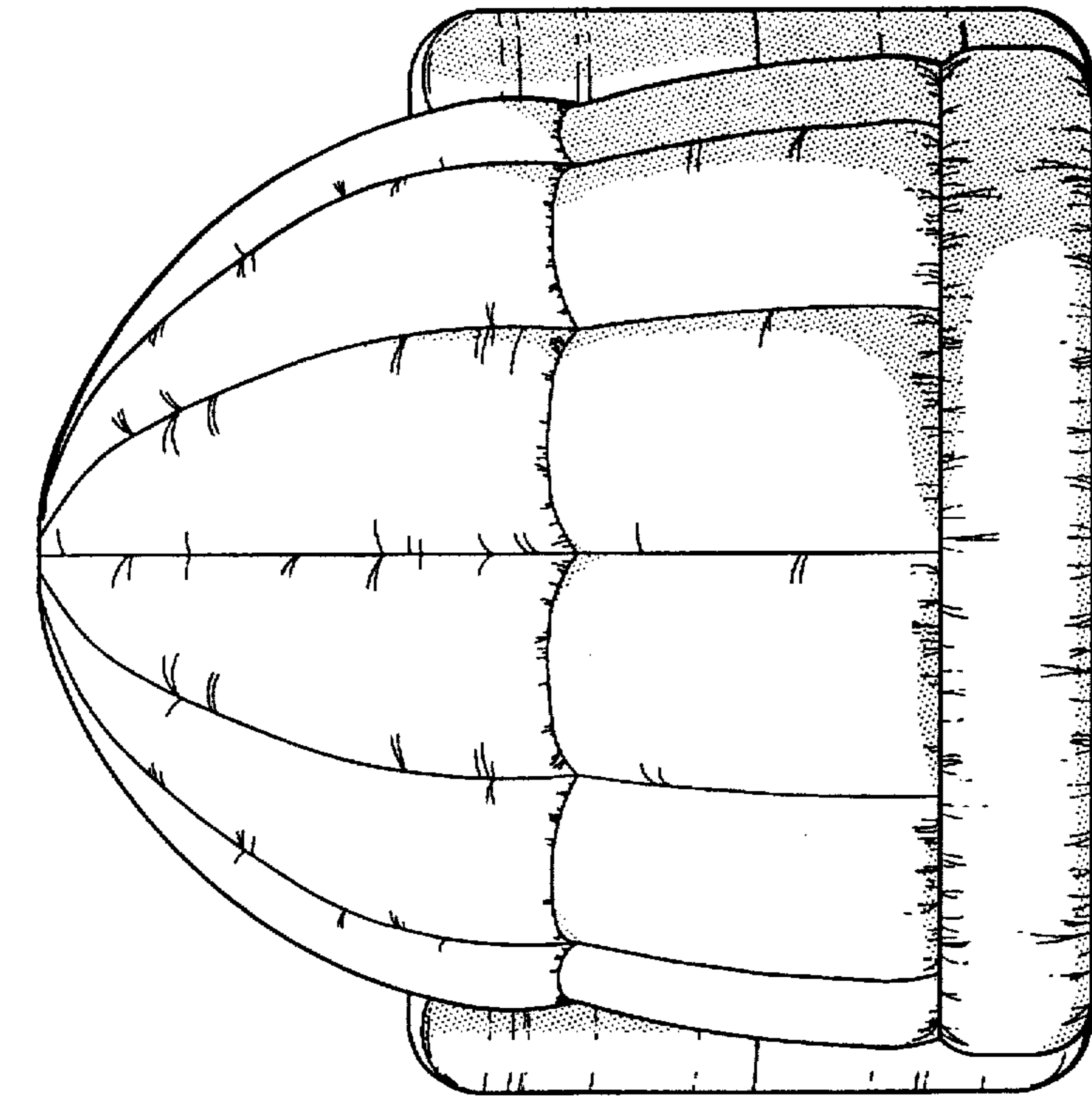


Fig. 3

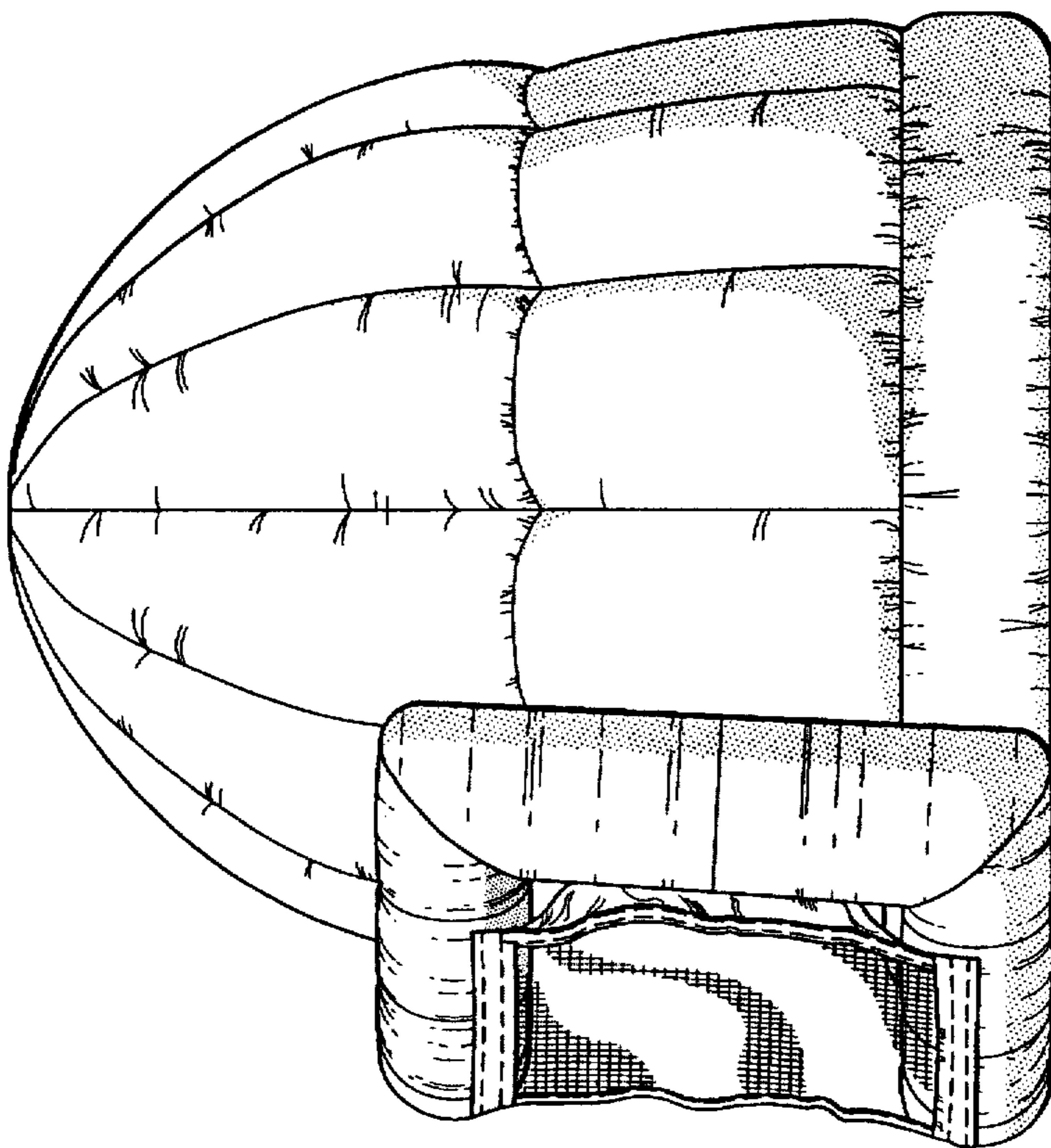


Fig. 4

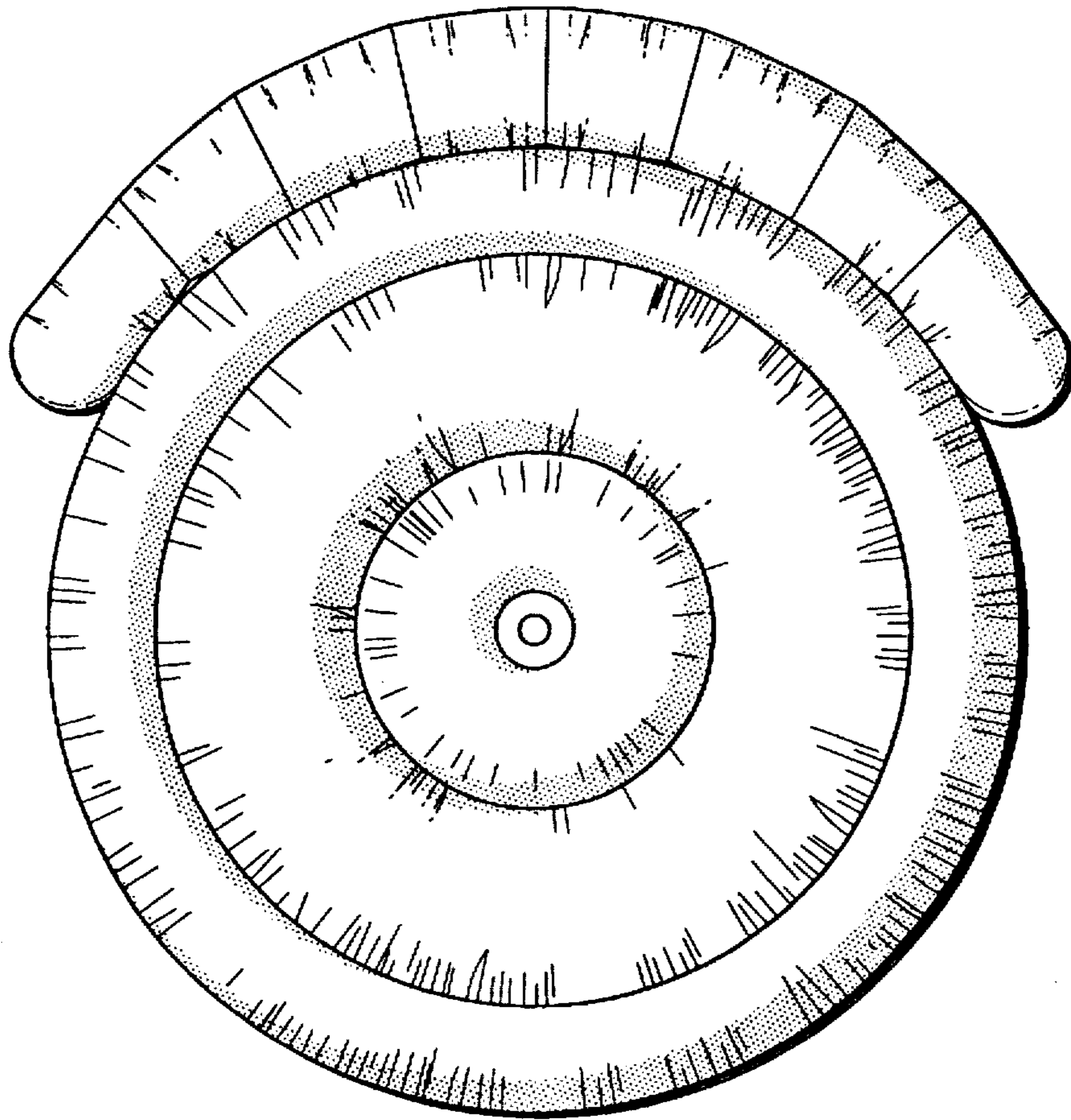


Fig. 6

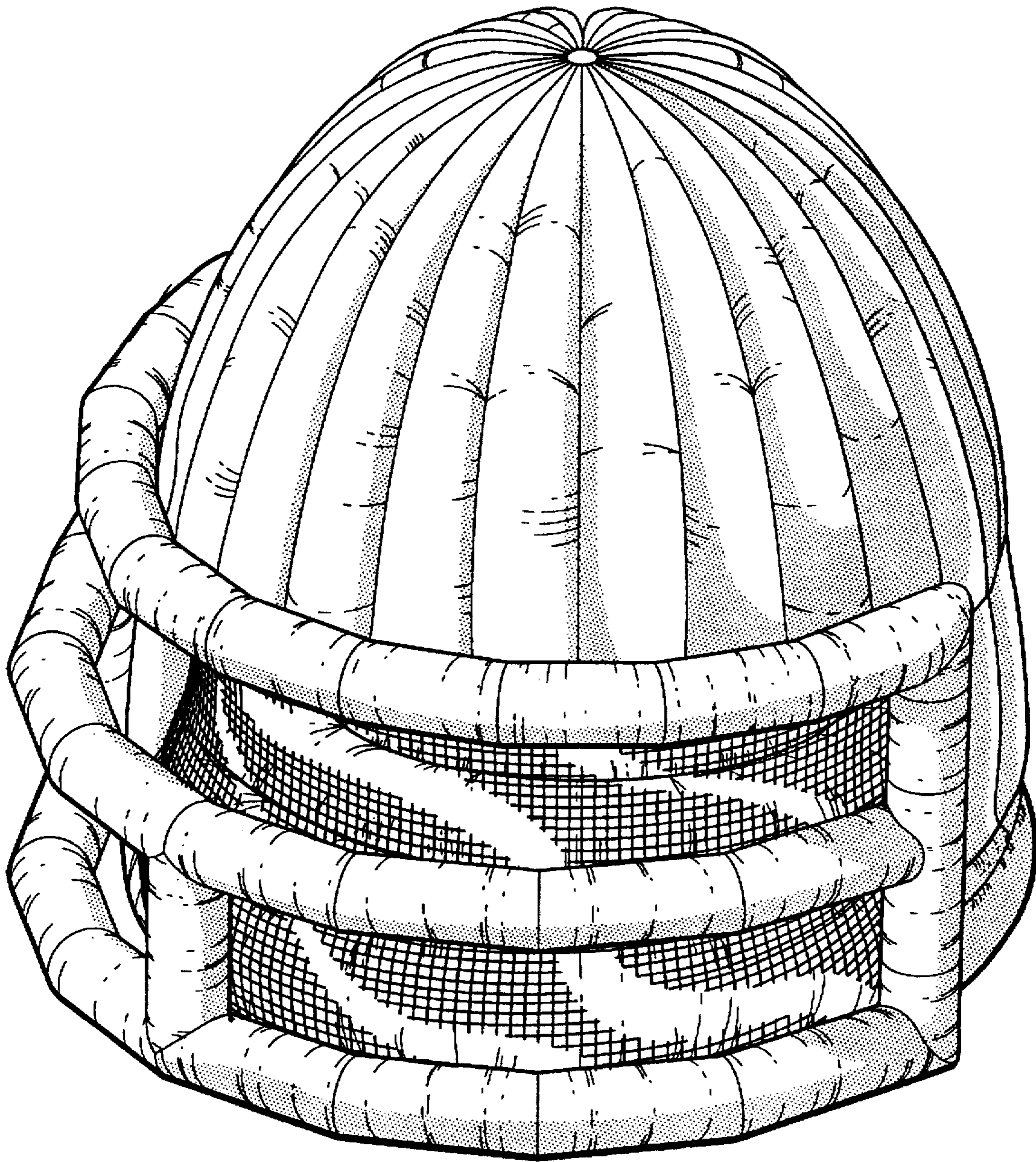


Fig. 7

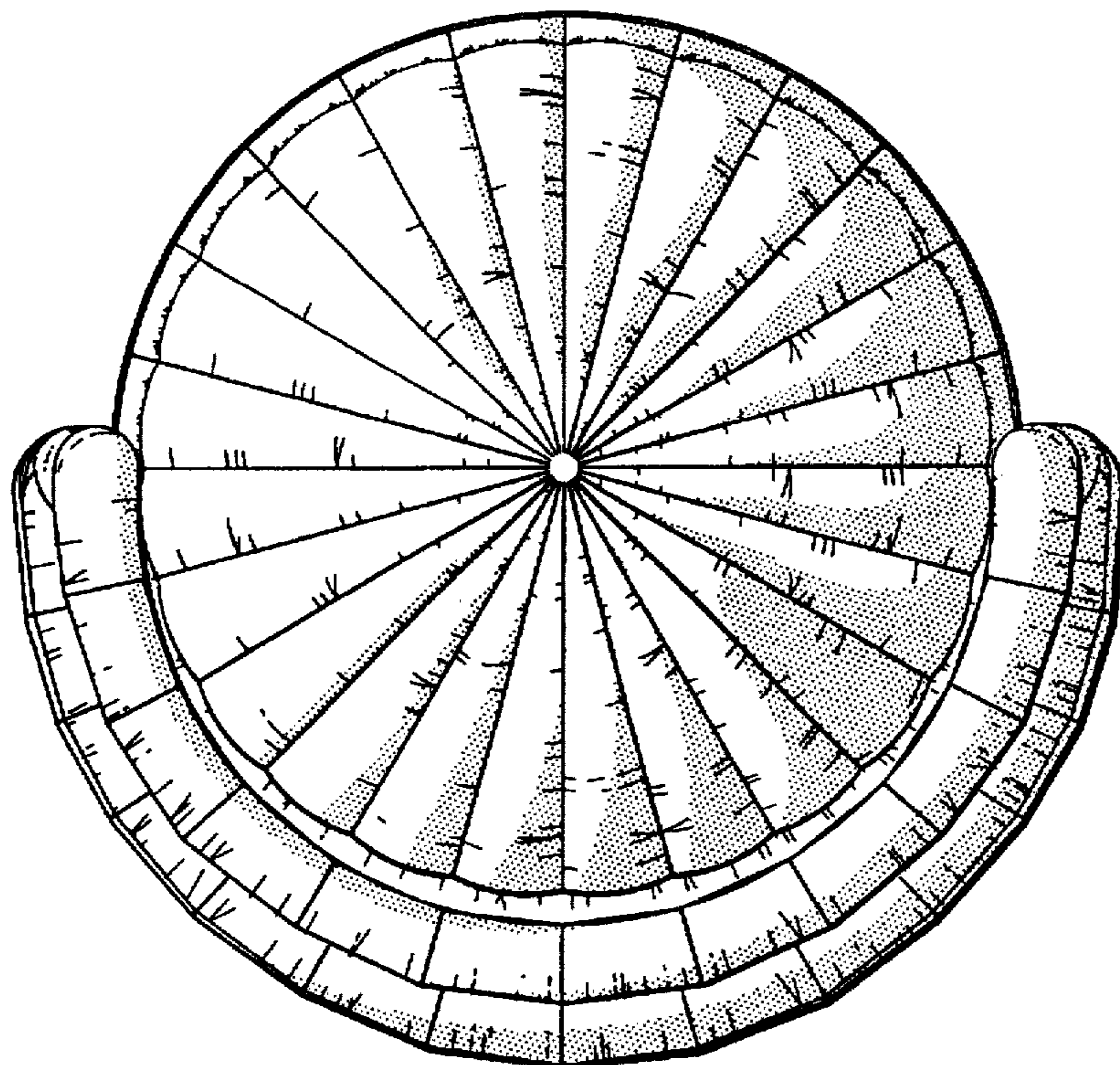


Fig. 11

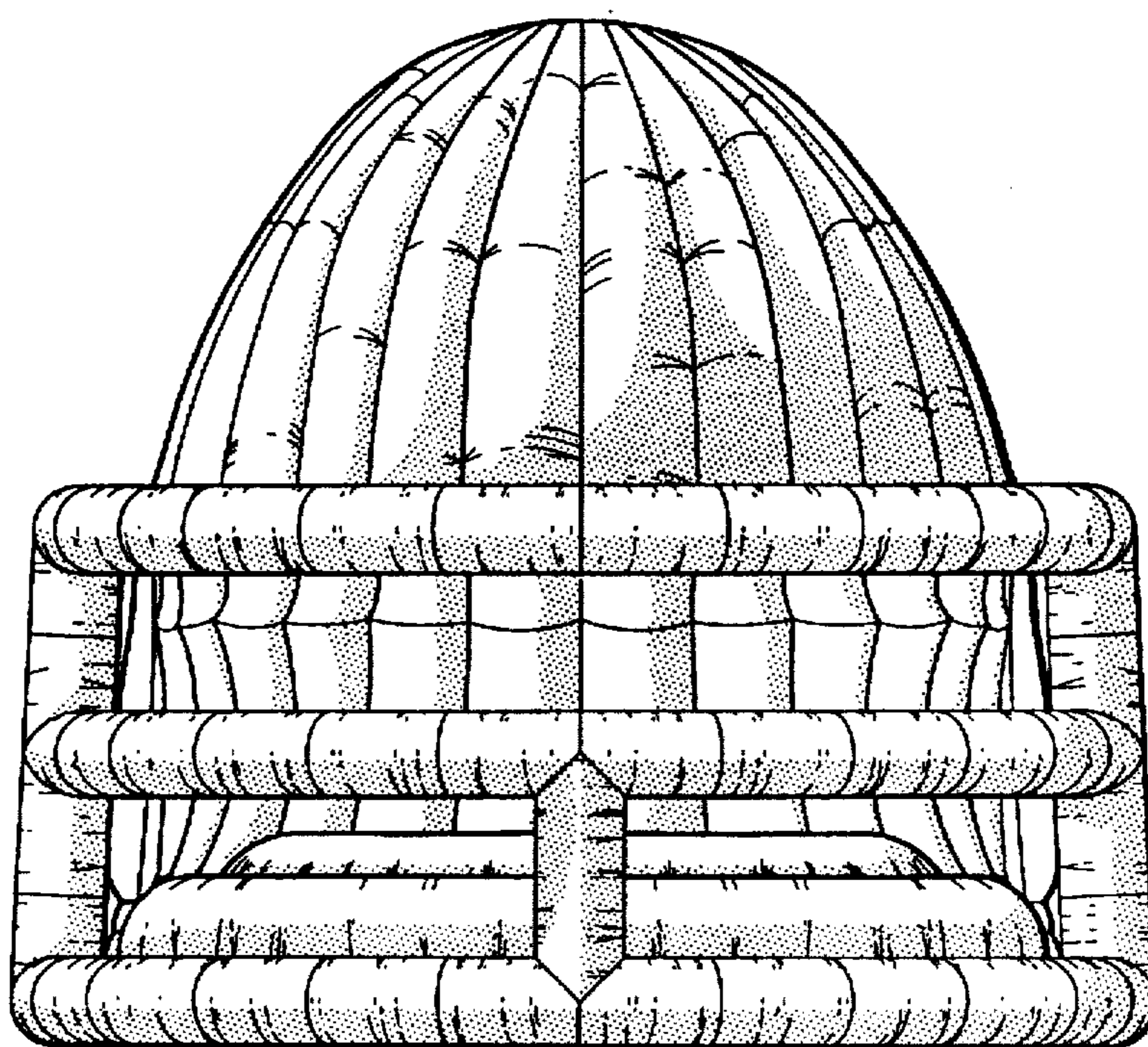


Fig. 8

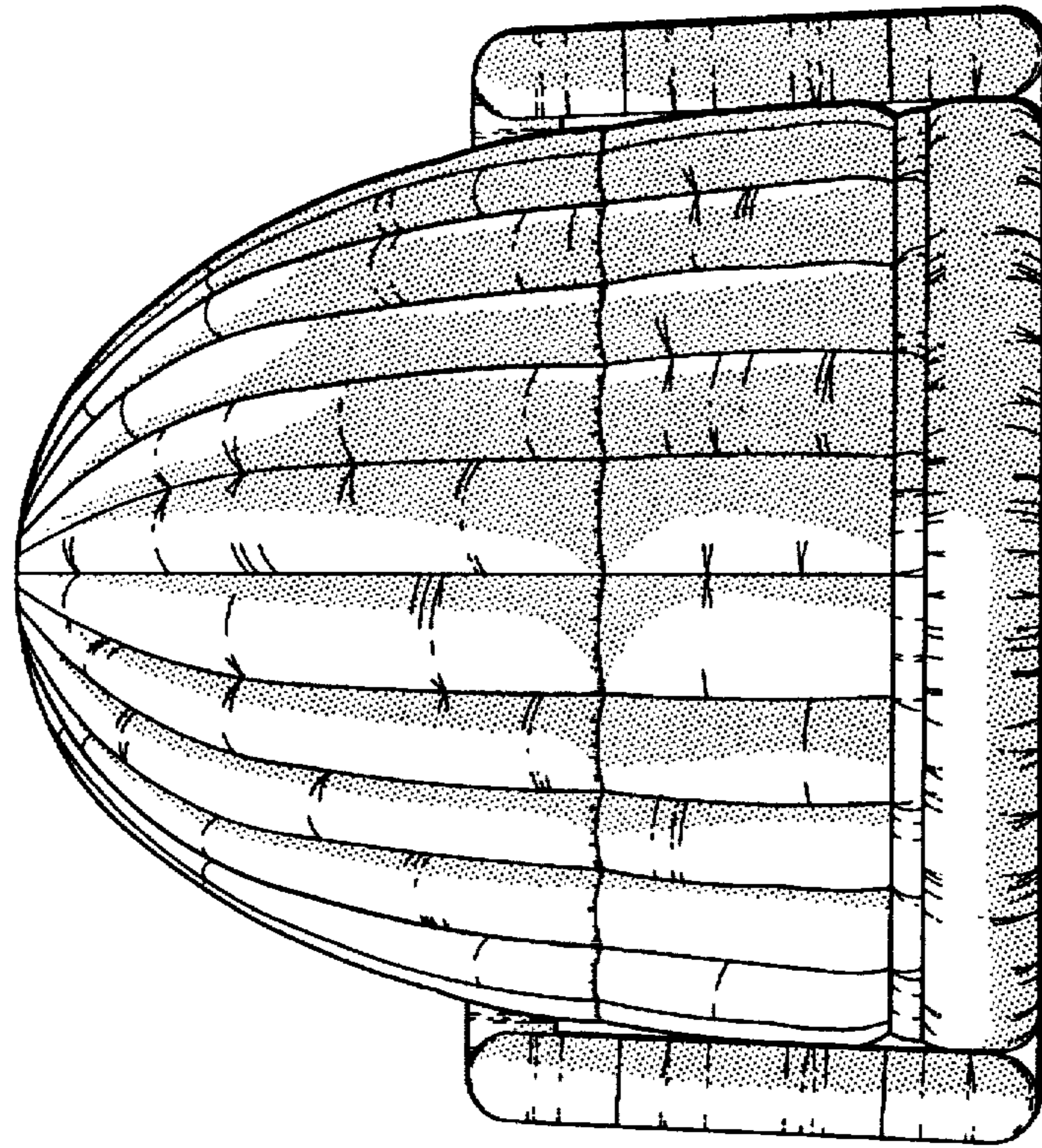


Fig. 9

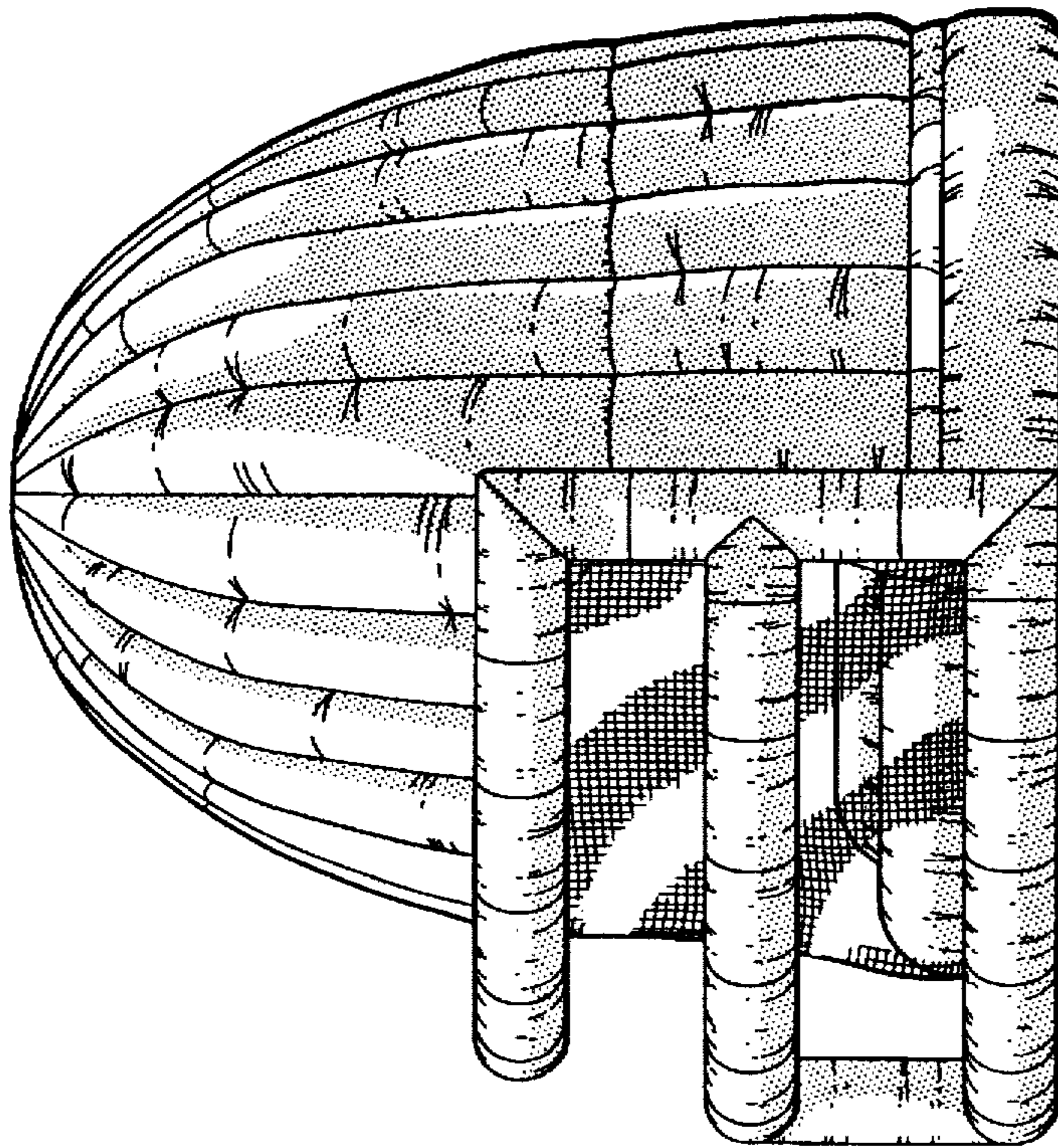


Fig. 10