



US00D391369S

United States Patent [19]

Anderson

[11] Patent Number: **Des. 391,369**

[45] Date of Patent: ****Feb. 24, 1998**

[54] **INHALATION DEVICE**

[75] Inventor: **Gregor John McLennan Anderson,**
Ware, United Kingdom

[73] Assignee: **Glaxo Group Limited,** London,
England

[**] Term: **14 Years**

[21] Appl. No.: **60,921**

[22] Filed: **Oct. 10, 1996**

[30] **Foreign Application Priority Data**

Apr. 11, 1996 [GB] United Kingdom 2055446

[51] LOC (6) Cl. **24-04**

[52] U.S. Cl. **D24/110**

[58] Field of Search D24/110, 110.5;
128/200.23, 203.15, 203.23

[56] **References Cited**

U.S. PATENT DOCUMENTS

D. 342,994	1/1994	Rand et al.	D24/110
D. 355,029	1/1995	Kinneir et al.	D24/110
4,834,083	5/1989	Byram et al.	128/200.23
5,035,237	7/1991	Newell et al.	128/203.15

Primary Examiner—Stella Reid
Attorney, Agent, or Firm—Bacon & Thomas

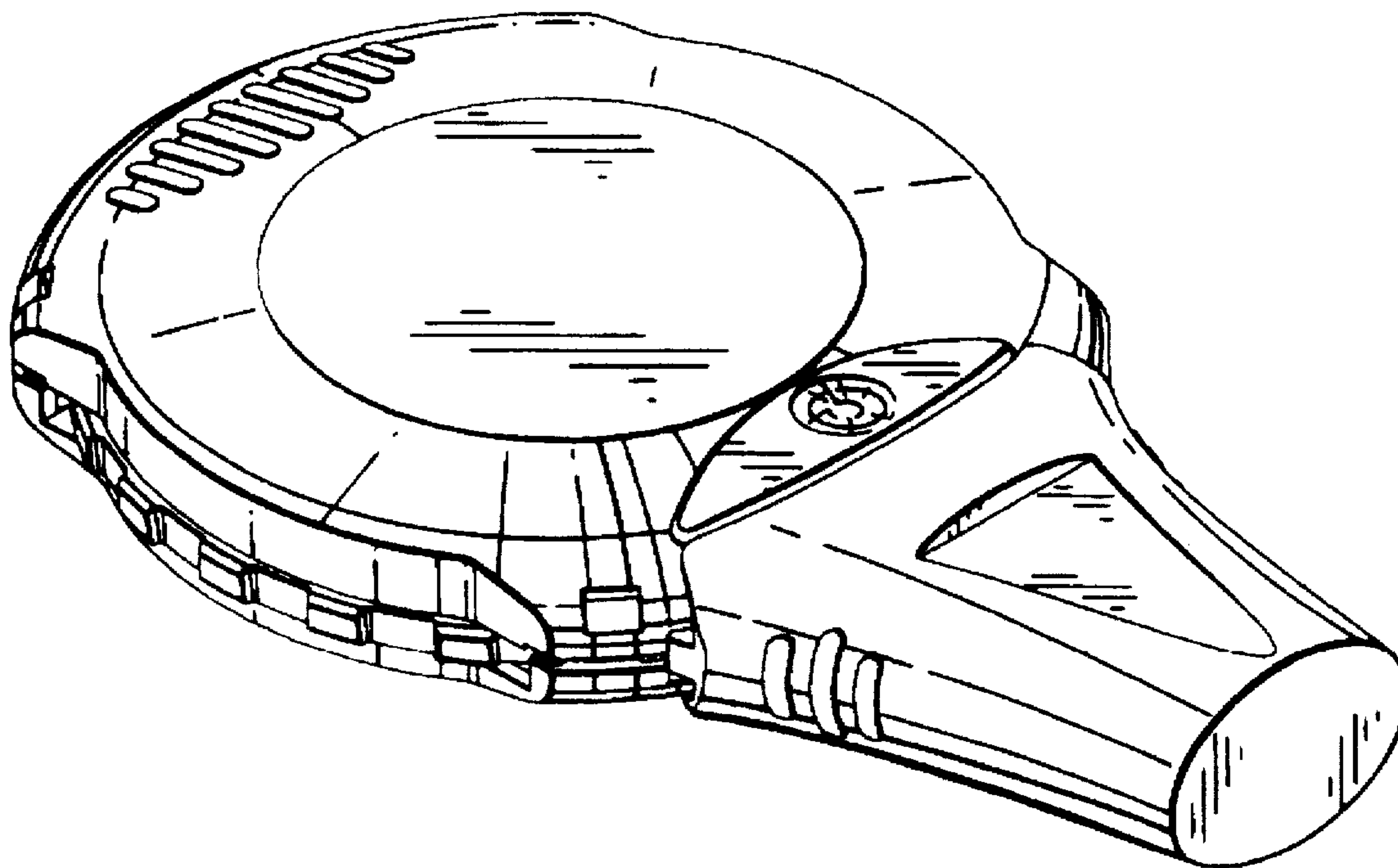
[57] **CLAIM**

The ornamental design for an inhalation device, as shown and described.

DESCRIPTION

FIG. 1 is a top plan view of the inhalation device showing my new design;
 FIG. 2 is a bottom plan view thereof;
 FIG. 3 is a front perspective view showing the top and left side thereof;
 FIG. 4 is a side elevational view showing the left side thereof;
 FIG. 5 is a side elevational view showing the right side thereof;
 FIG. 6 is a front view thereof;
 FIG. 7 is a rear elevational view thereof;
 FIG. 8 is a top plan view thereof with the mouthpiece cover removed;
 FIG. 9 is a front perspective view showing the top and left side thereof with the mouthpiece cover removed;
 FIG. 10 is a side elevational view showing the left side thereof with the mouthpiece cover removed;
 FIG. 11 is a side elevational view showing the right side thereof with the mouthpiece cover removed; and,
 FIG. 12 is a front view thereof with the mouthpiece cover removed.

1 Claim, 3 Drawing Sheets



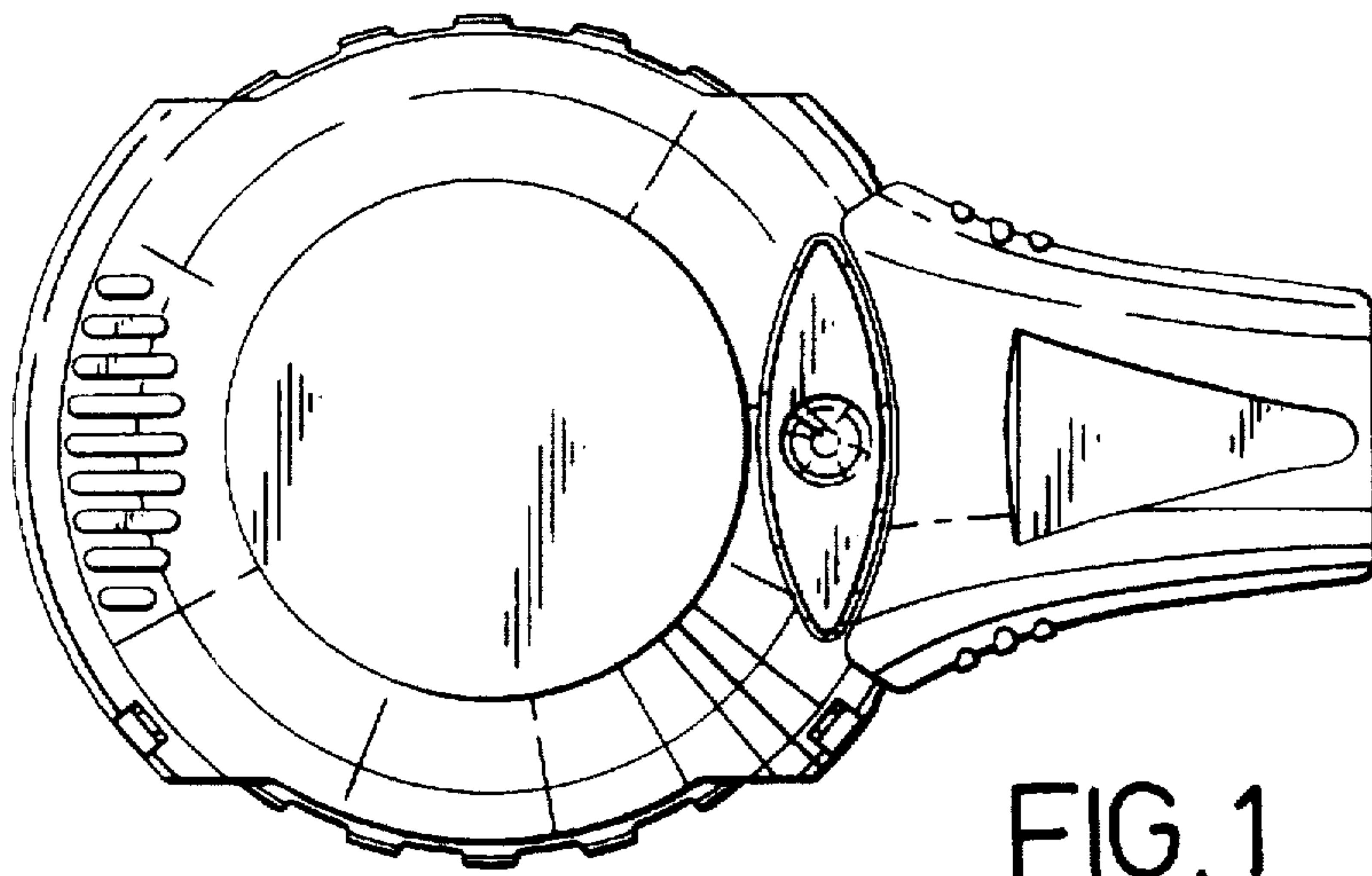


FIG. 1

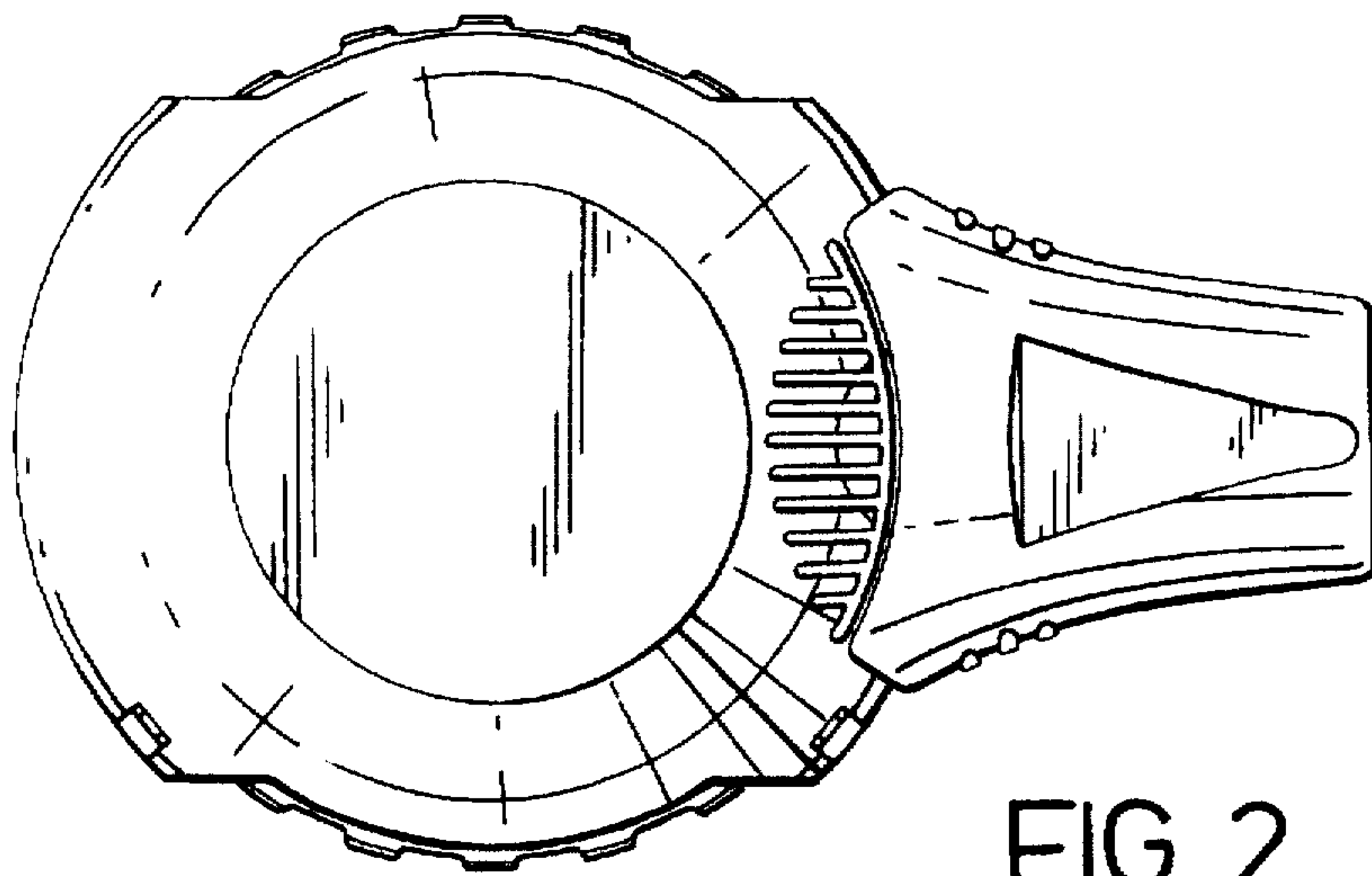


FIG. 2

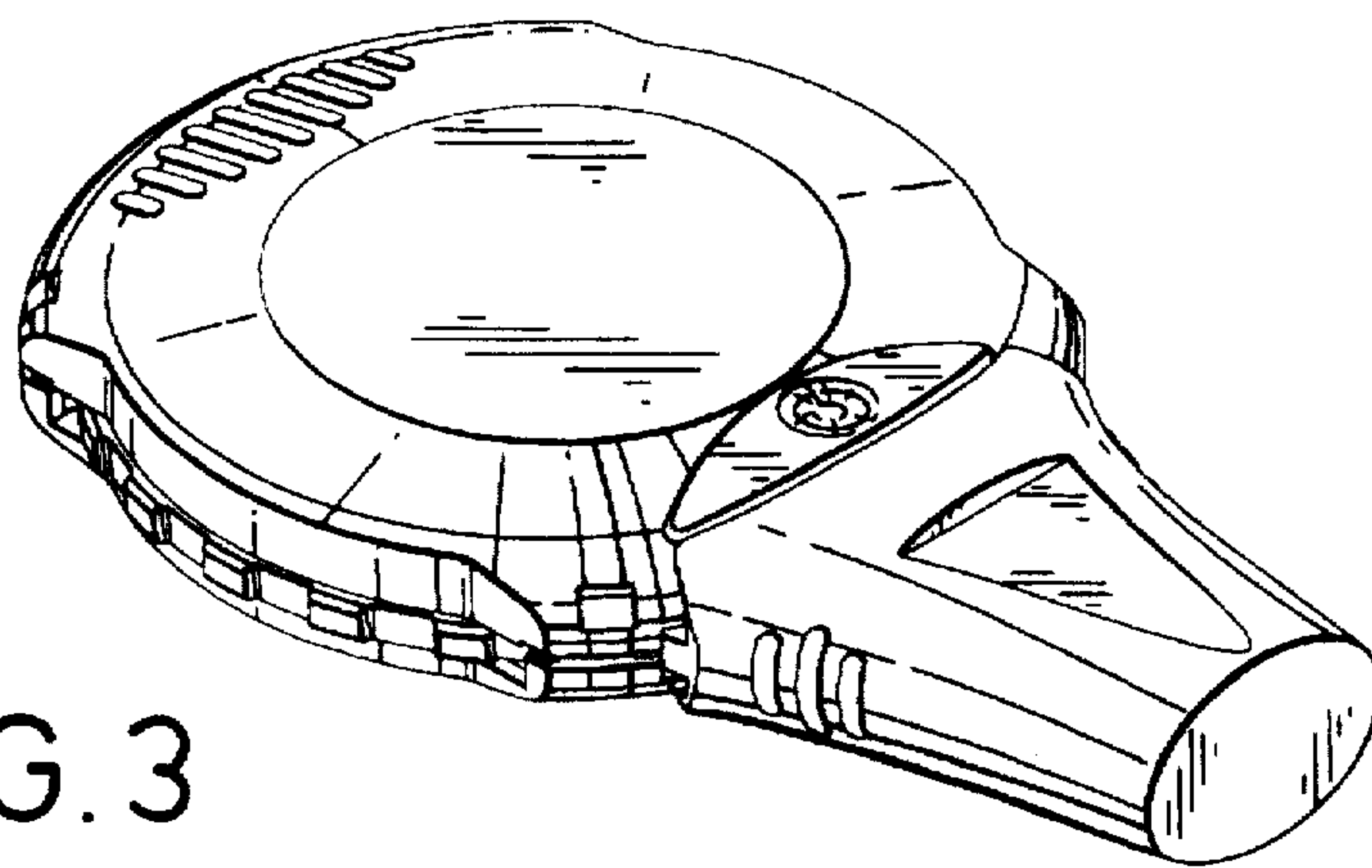


FIG. 3

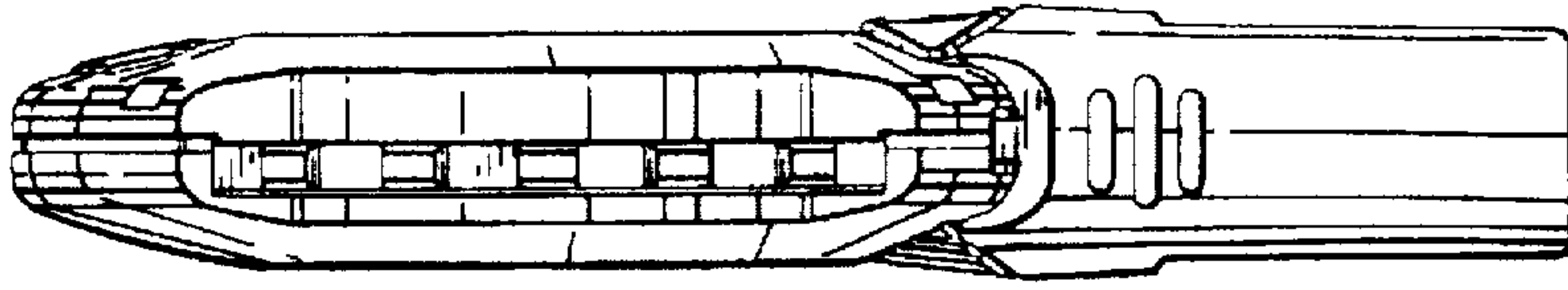


FIG. 4

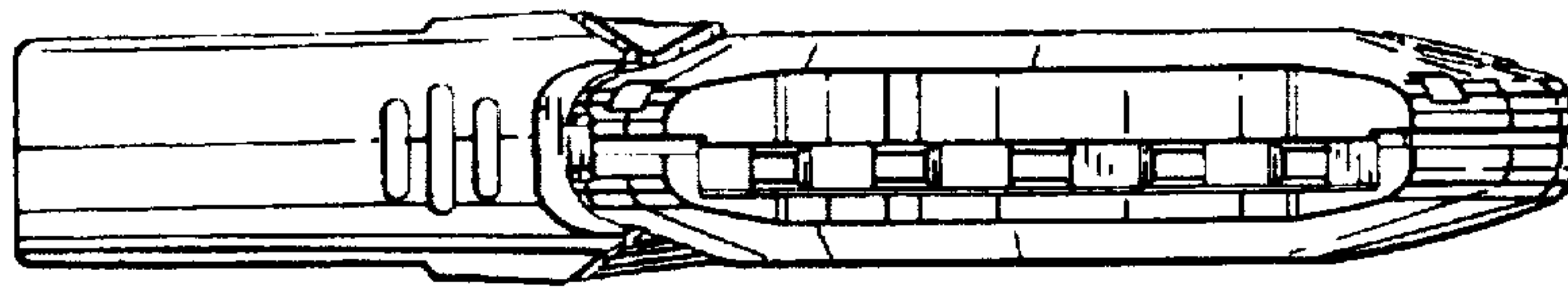


FIG. 5

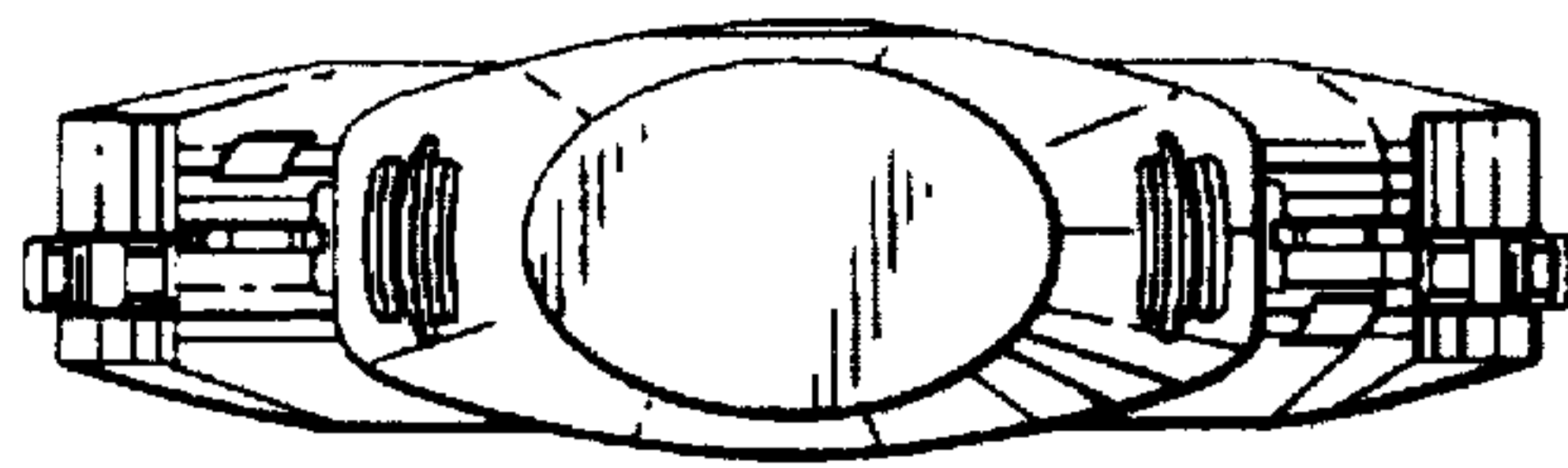


FIG. 6

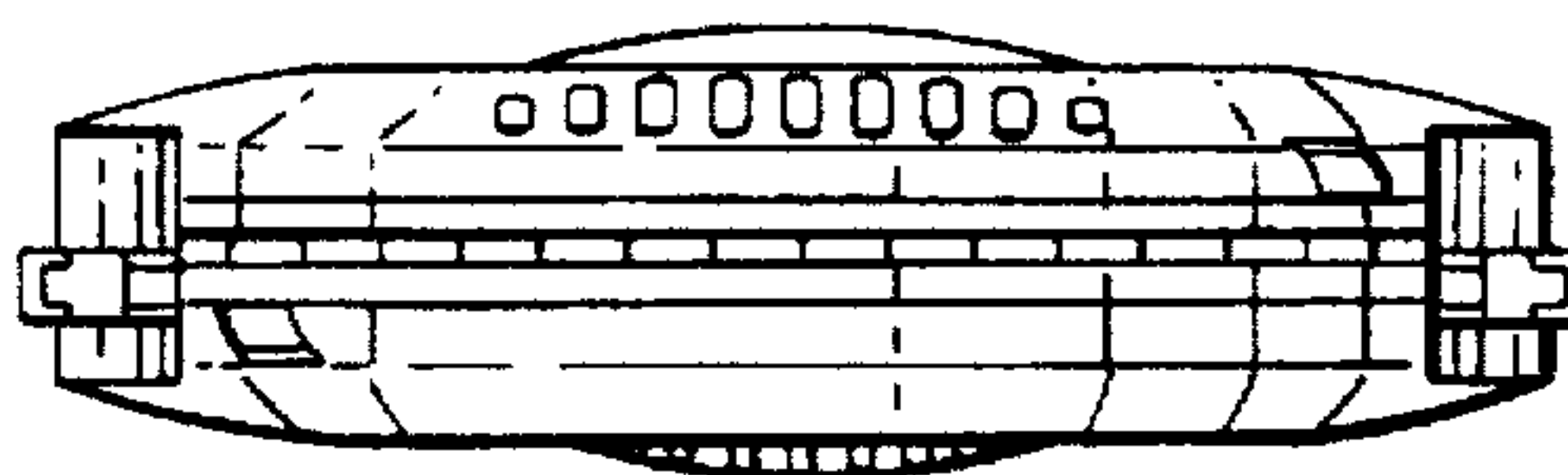


FIG. 7

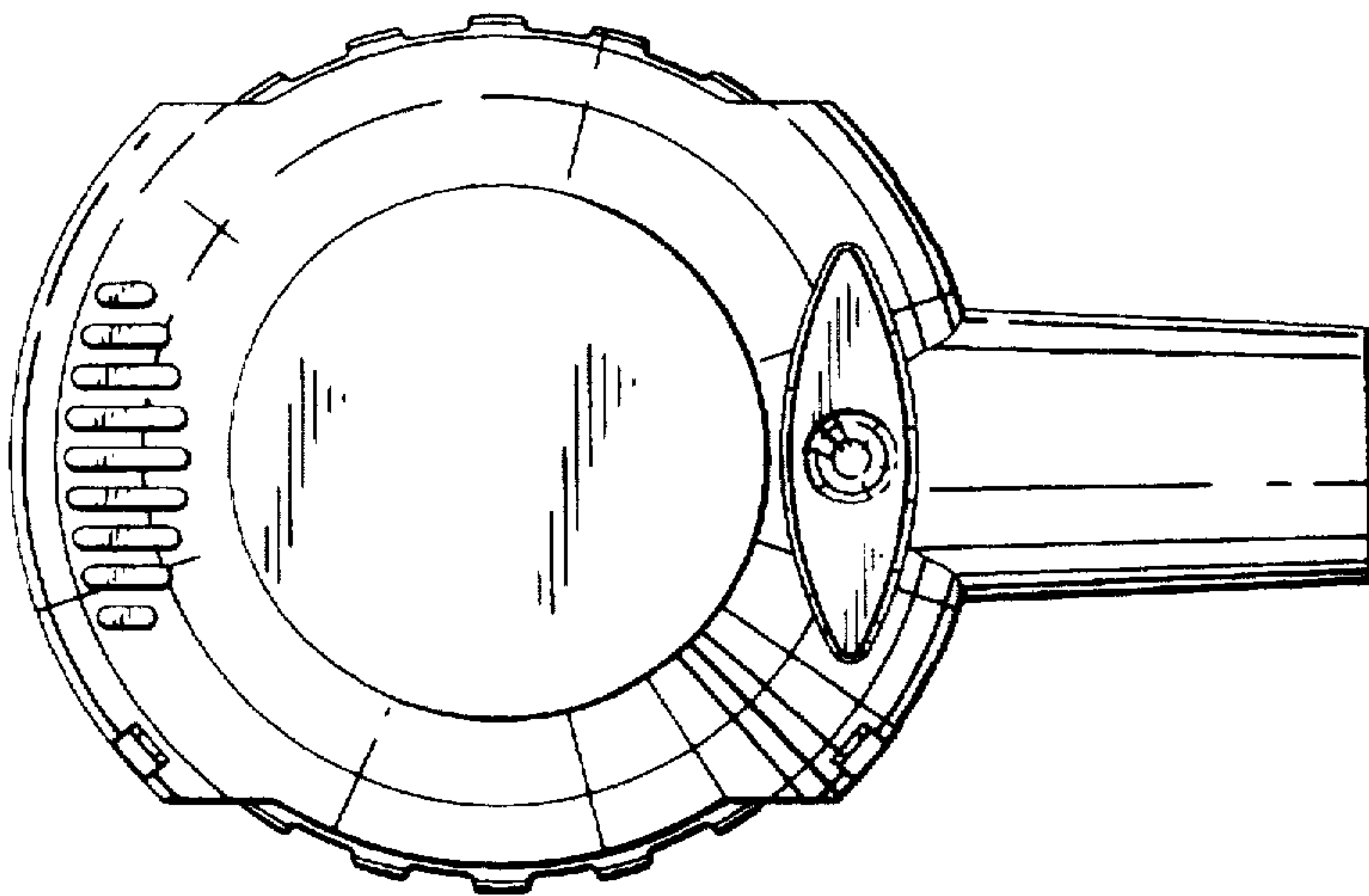


FIG. 8

FIG. 9

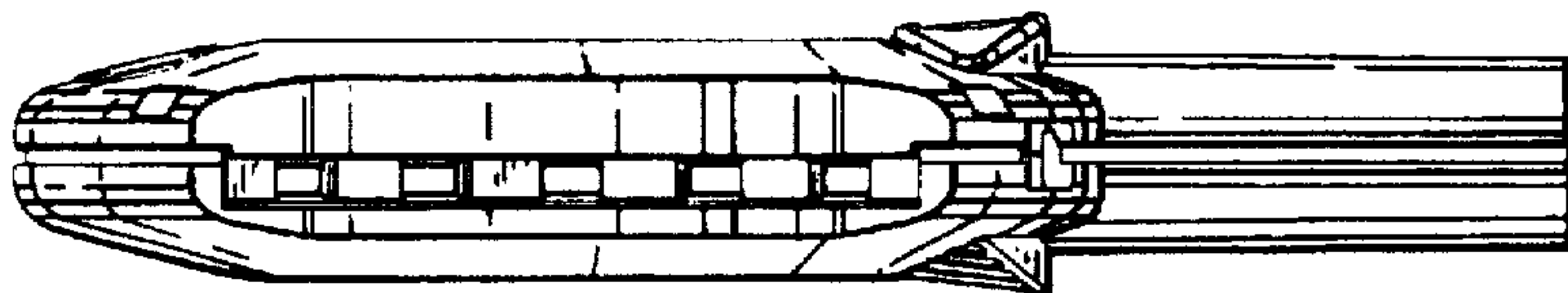
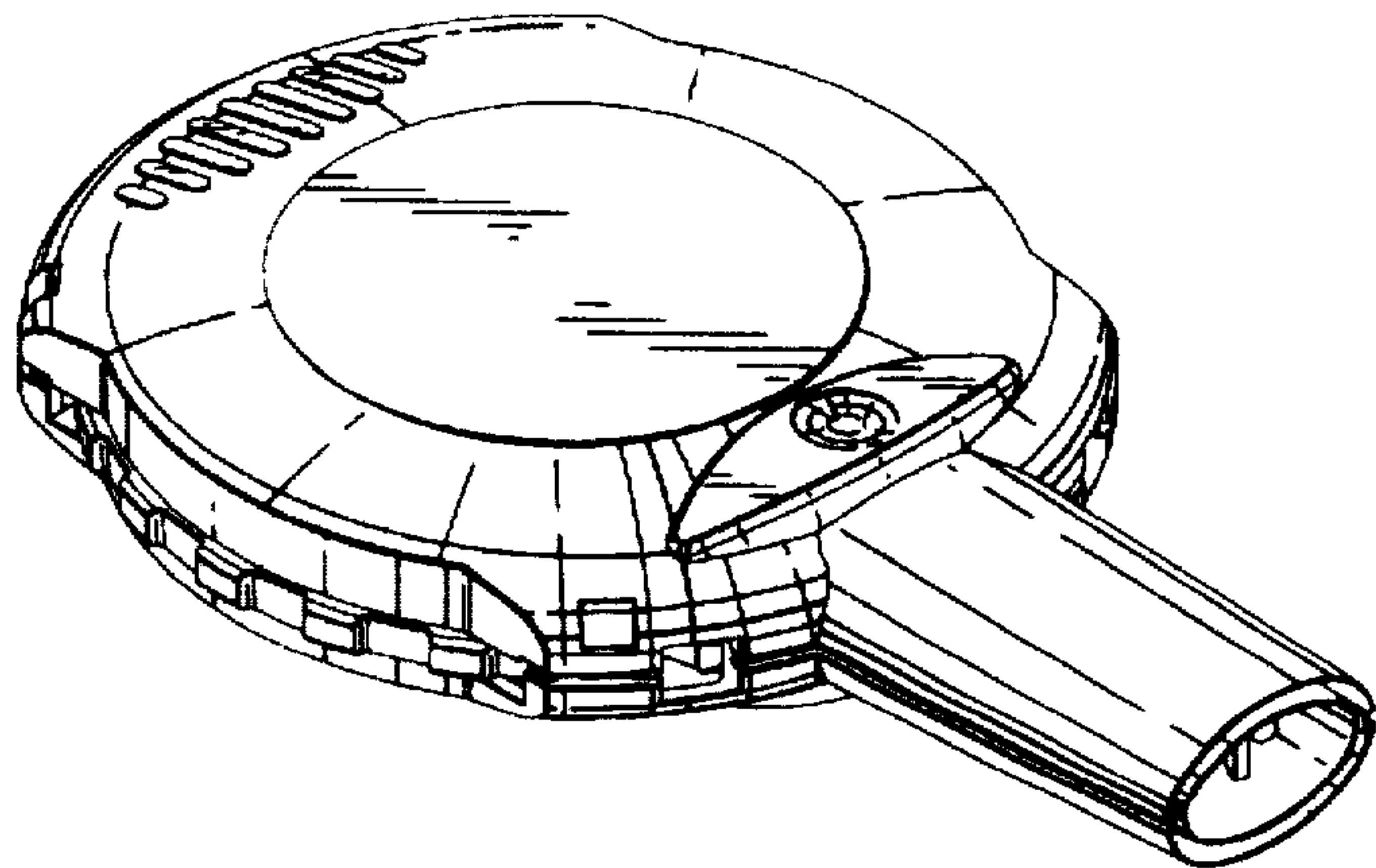


FIG. 10

FIG. 11

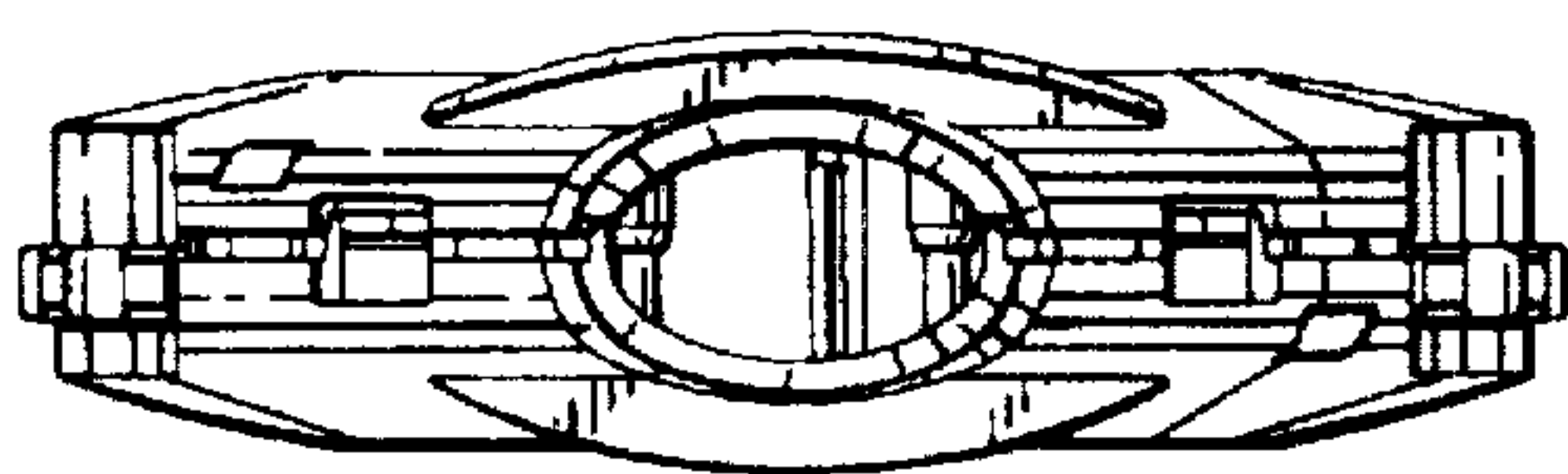
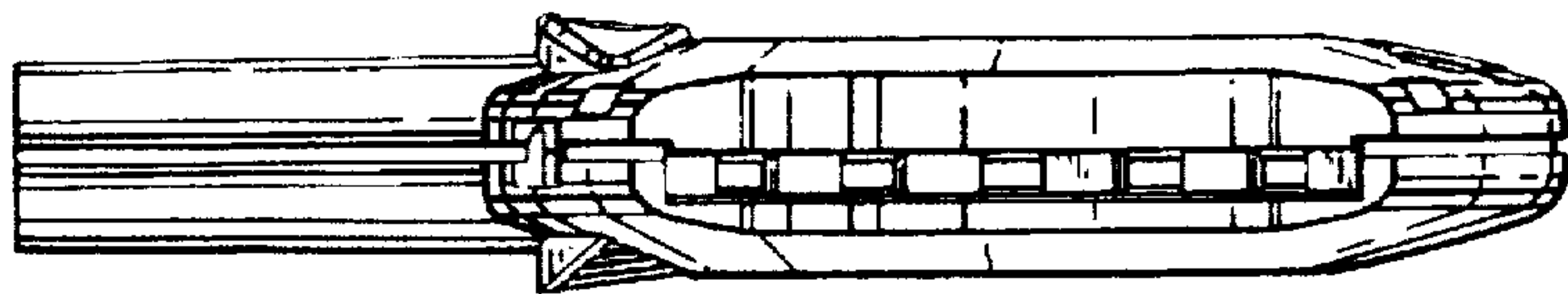


FIG. 12