



US00D391368S

# United States Patent [19] Hall

[11] Patent Number: Des. 391,368

[45] Date of Patent: \*\*Feb. 24, 1998

[54] **COMBINED BREATHABLE GAS CONTAINER AND CARRYING HARNESS FOR A SELF-CONTAINED BREATHING APPARATUS**

[75] Inventor: **Maurice Van Hall**, Bedlington, United Kingdom

[73] Assignee: **Draeger Limited**, United Kingdom

[\*\*] Term: **14 Years**

[21] Appl. No.: **47,650**

[22] Filed: **Dec. 8, 1995**

[30] **Foreign Application Priority Data**

Jun. 9, 1995 [GB] United Kingdom ..... 2048065

[51] **LOC (6) Cl.** ..... **29-02**

[52] **U.S. Cl.** ..... **D24/110**

[58] **Field of Search** ..... D24/110.6, 110.5, D24/110; 128/201.27, 201.11, 201.26, 205.25, 205.27, 205.28, 205.29, 206.15, 204.18, 200.24, 200.28, 201.22

[56] **References Cited**

**U.S. PATENT DOCUMENTS**

D. 143,084	12/1945	Littlefeild et al.	.....	D24/110
2,982,105	2/1961	Akers	.....	128/205.22 X
4,054,132	10/1977	Deeds	.....	128/205.22 X
4,062,356	12/1977	Merrifeild	.....	128/205.22
4,739,913	4/1988	Moore	.....	128/205.22 X
5,046,492	9/1991	Stackhouse et al.	.....	128/204.18 X
5,203,325	4/1993	Carr	.....	128/205.22 X
5,492,110	2/1996	Lenz et al.	.....	128/205.22 X

**FOREIGN PATENT DOCUMENTS**

618370 2/1961 Italy ..... 128/201.11

*Primary Examiner*—Stella Reid

*Attorney, Agent, or Firm*—D. Peter Hochberg; Mark Kusner

[57] **CLAIM**

The ornamental design for a combined breathable gas container and carrying harness for a self-contained breathing apparatus, as shown and described.

**DESCRIPTION**

FIG. 1 is a front perspective view of the combined breathable gas container and carrying harness for a self-contained breathing apparatus embodying my new design;

FIG. 2 is a rear perspective view of the combined breathable gas container and carrying harness for a self-contained breathing apparatus shown in FIG. 1;

FIG. 3 is a side view of the combined breathable gas container and carrying harness for a self-contained breathing apparatus shown in FIG. 1;

FIG. 4 is a front view of the combined breathable gas container and carrying harness for a self-contained breathing apparatus shown in FIG. 1;

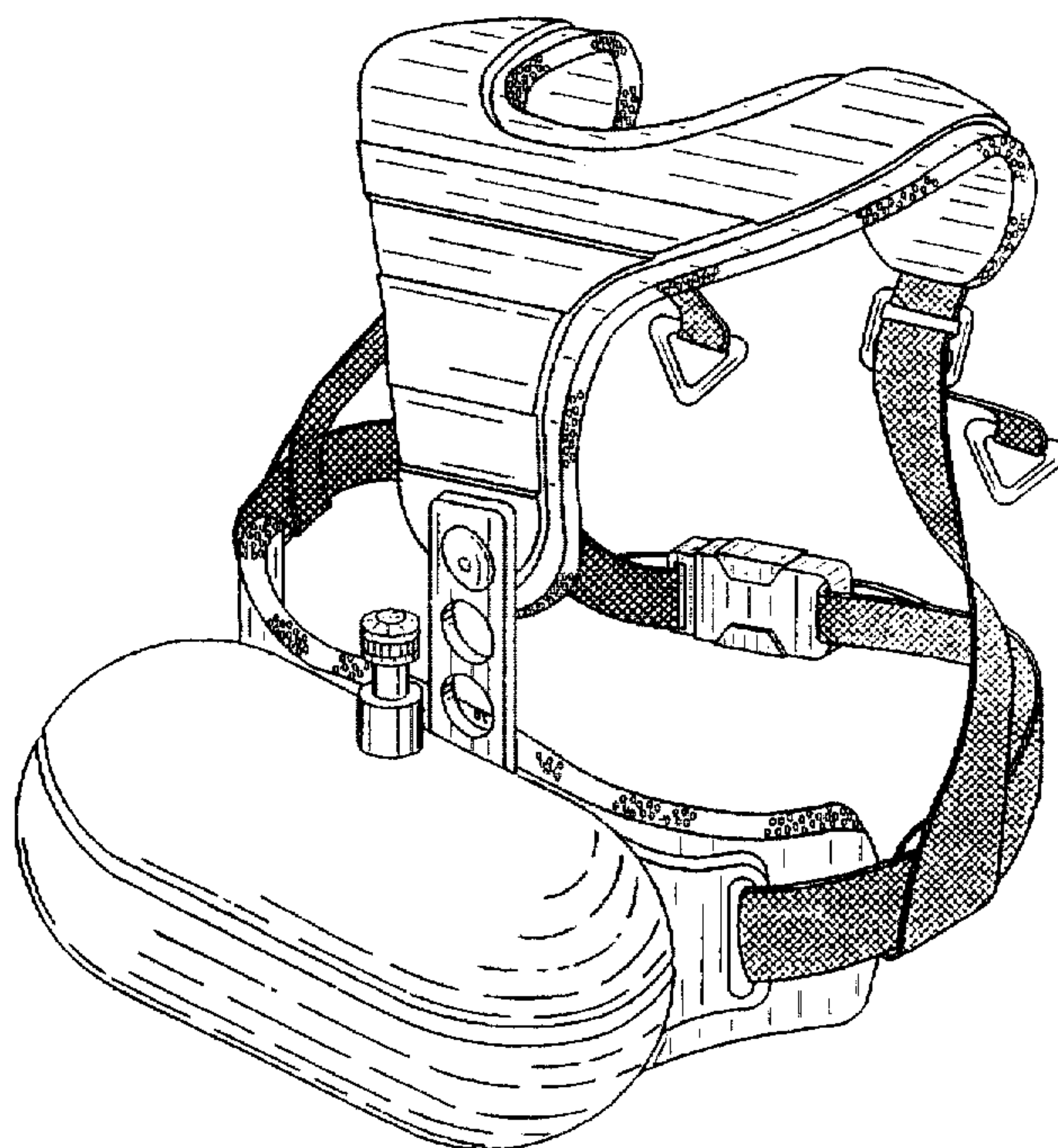
FIG. 5 is a bottom view of the combined breathable gas container and carrying harness for a self-contained breathing apparatus shown in FIG. 1;

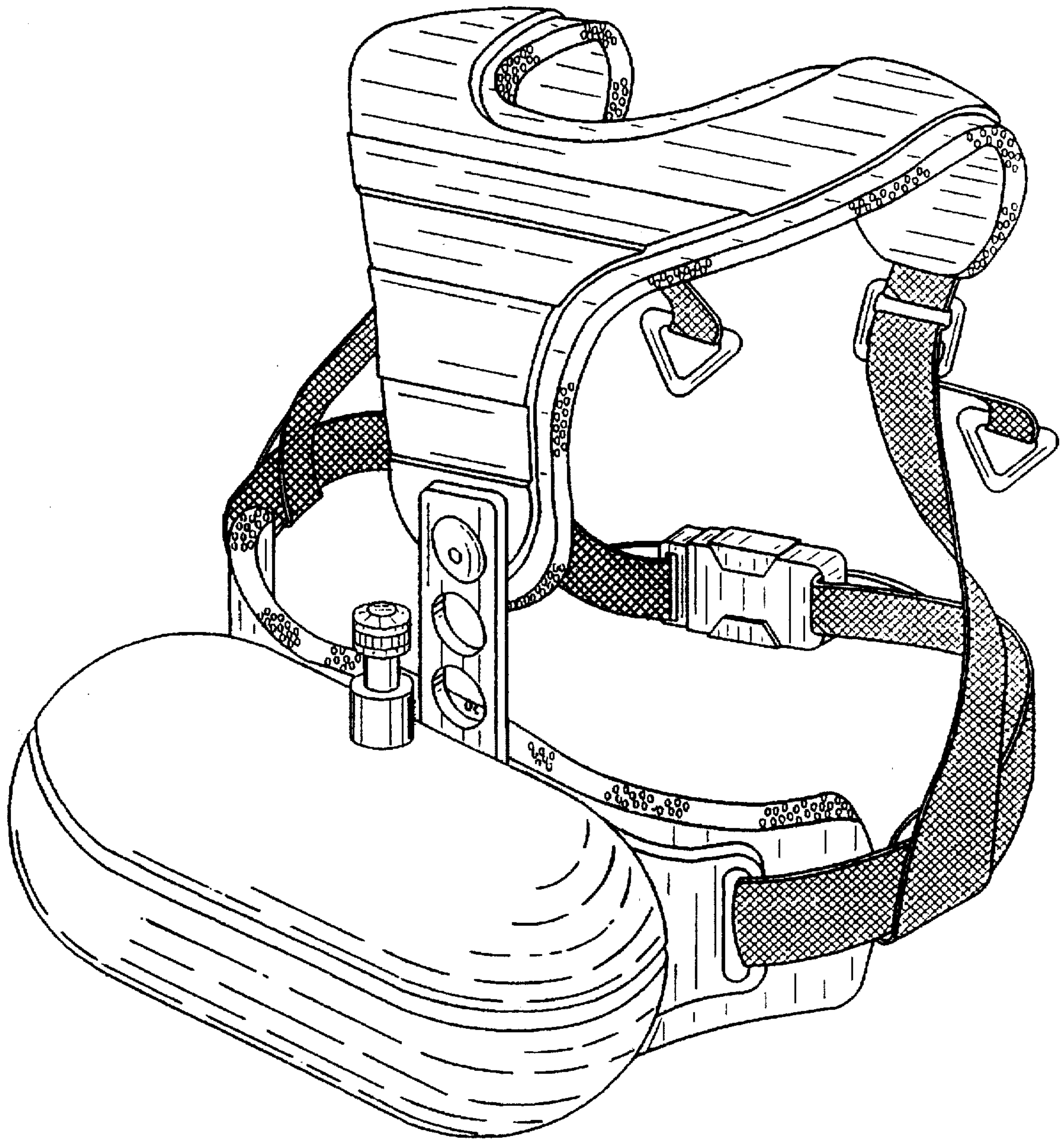
FIG. 6 is a rear view of the combined breathable gas container and carrying harness for a self-contained breathing apparatus shown in FIG. 1;

FIG. 7 is a side view of the combined breathable gas container and carrying harness for a self-contained breathing apparatus shown in FIG. 1, on the opposite side from that shown in FIG. 3; and,

FIG. 8 is a top view of the combined breathable gas container and carrying harness for a self-contained breathing apparatus shown in FIG. 1.

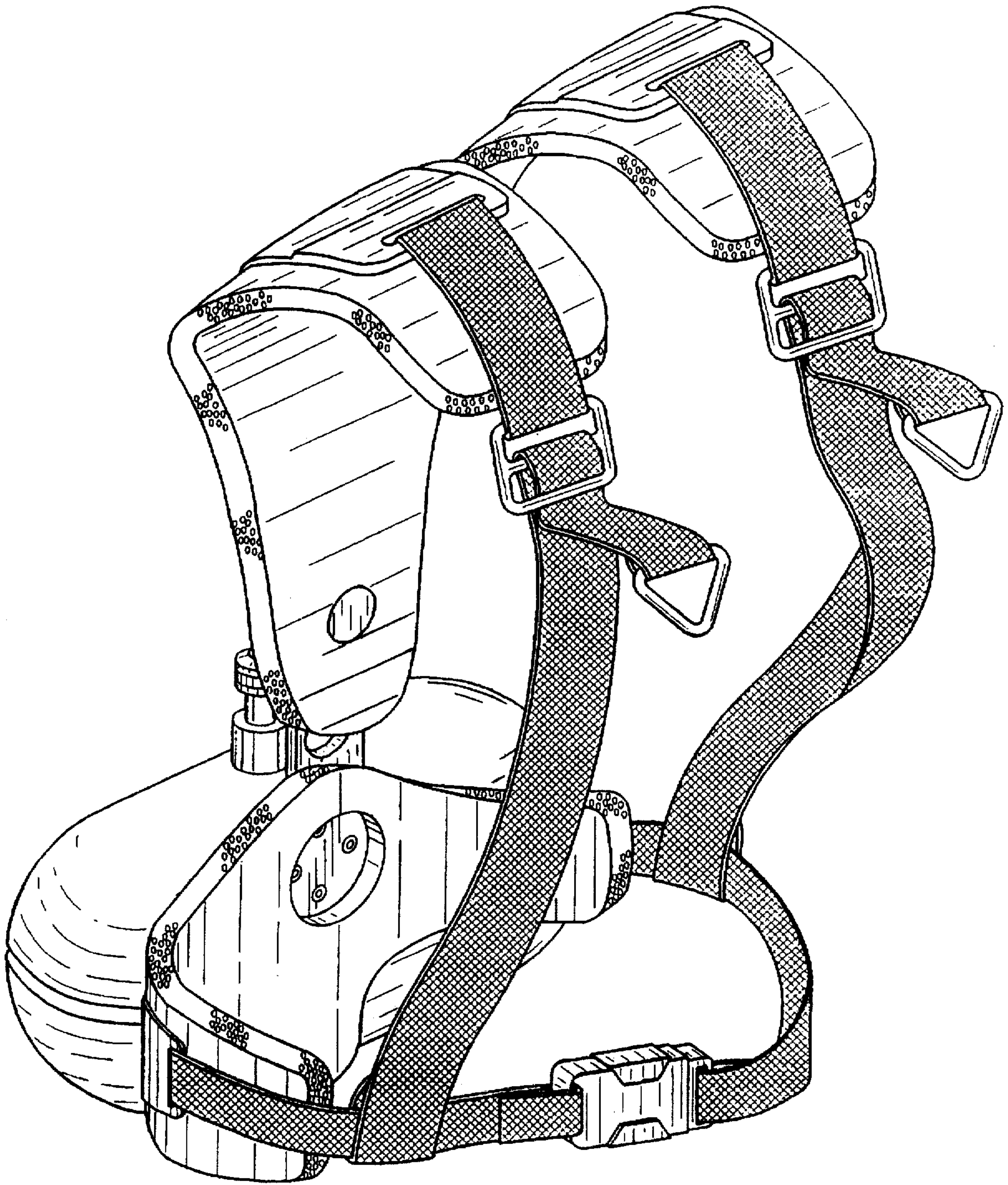
**1 Claim, 8 Drawing Sheets**



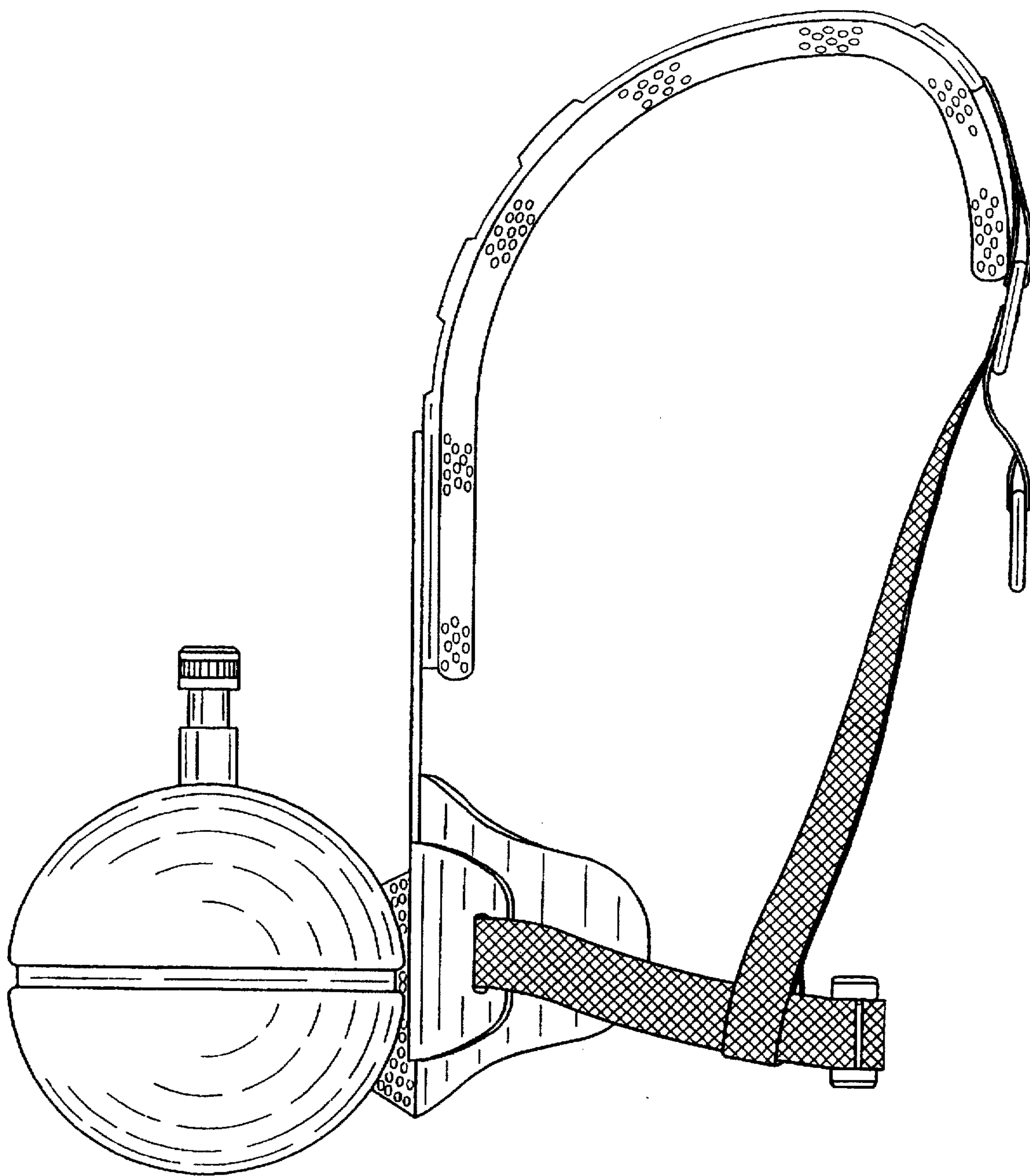


*Fig. 1*



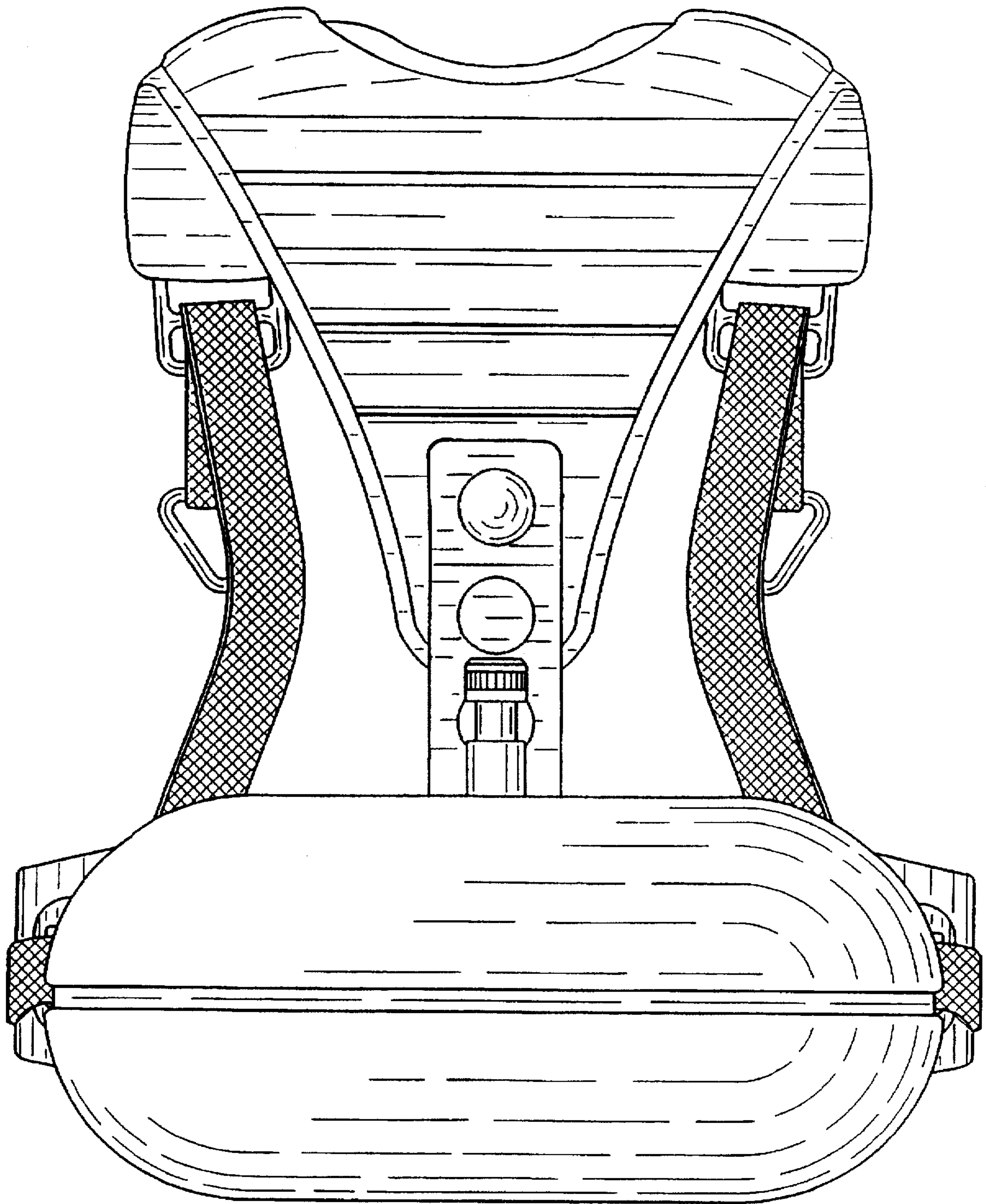


*Fig. 2*



*Fig. 3*





*Fig. 4*

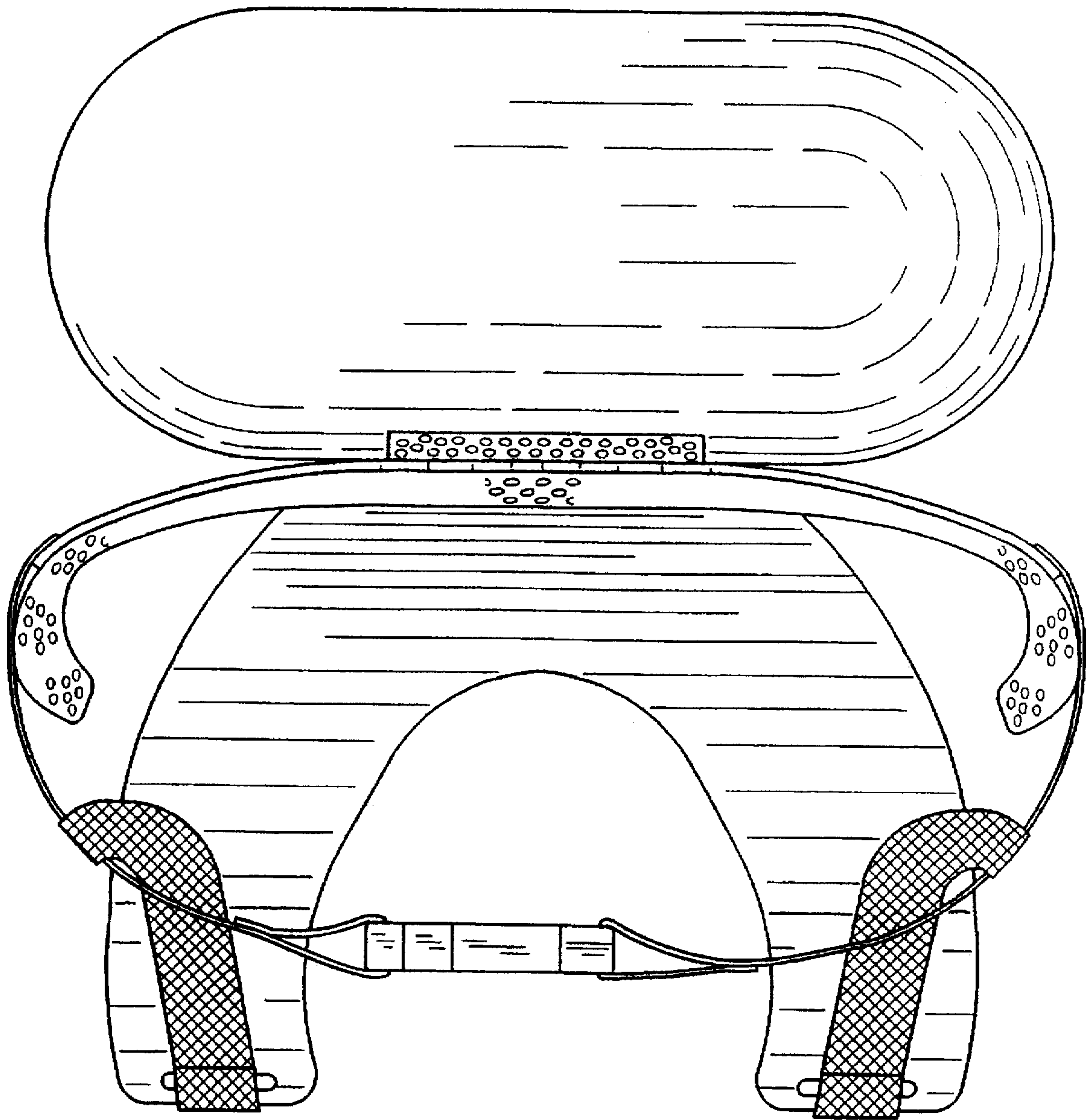
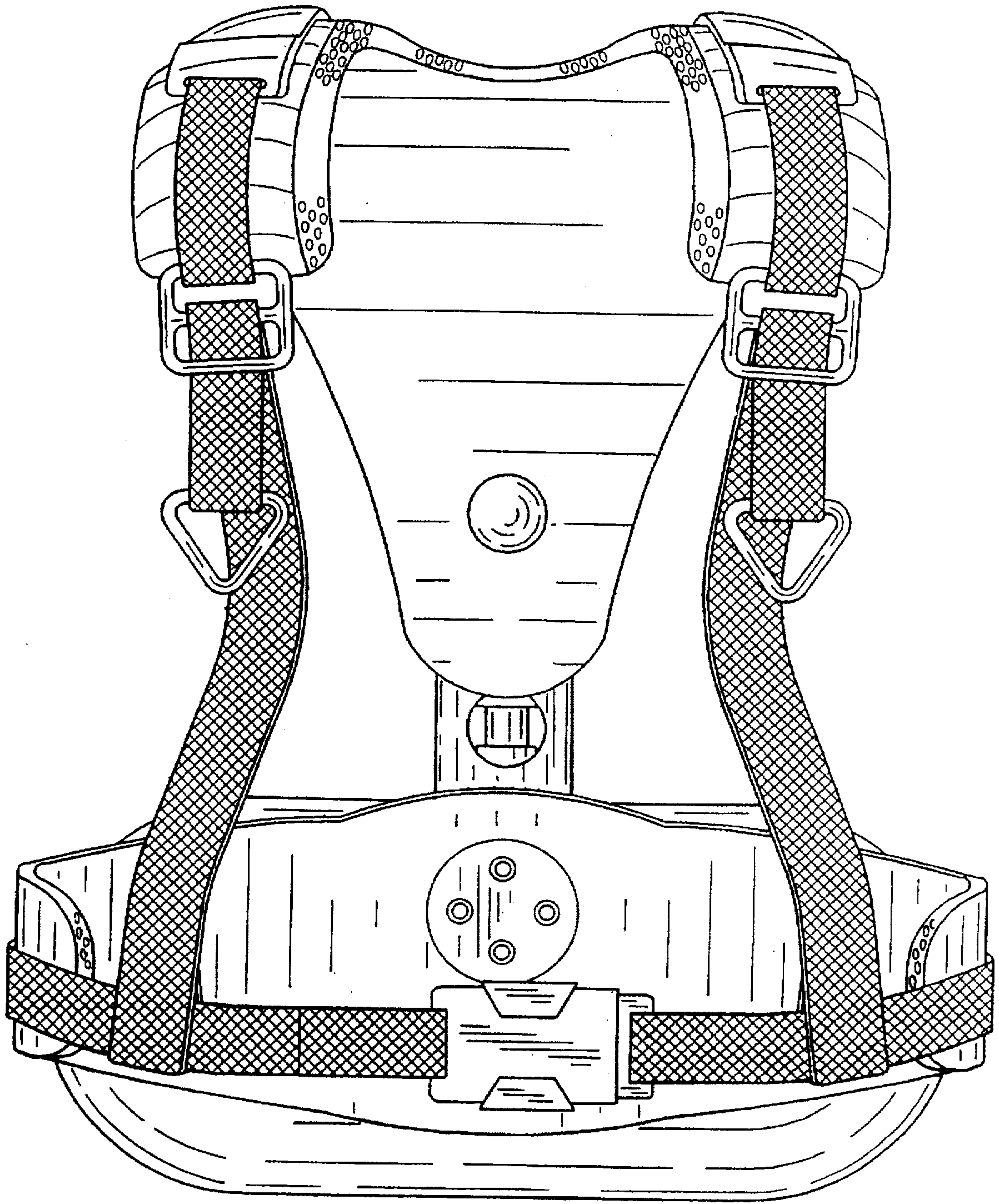
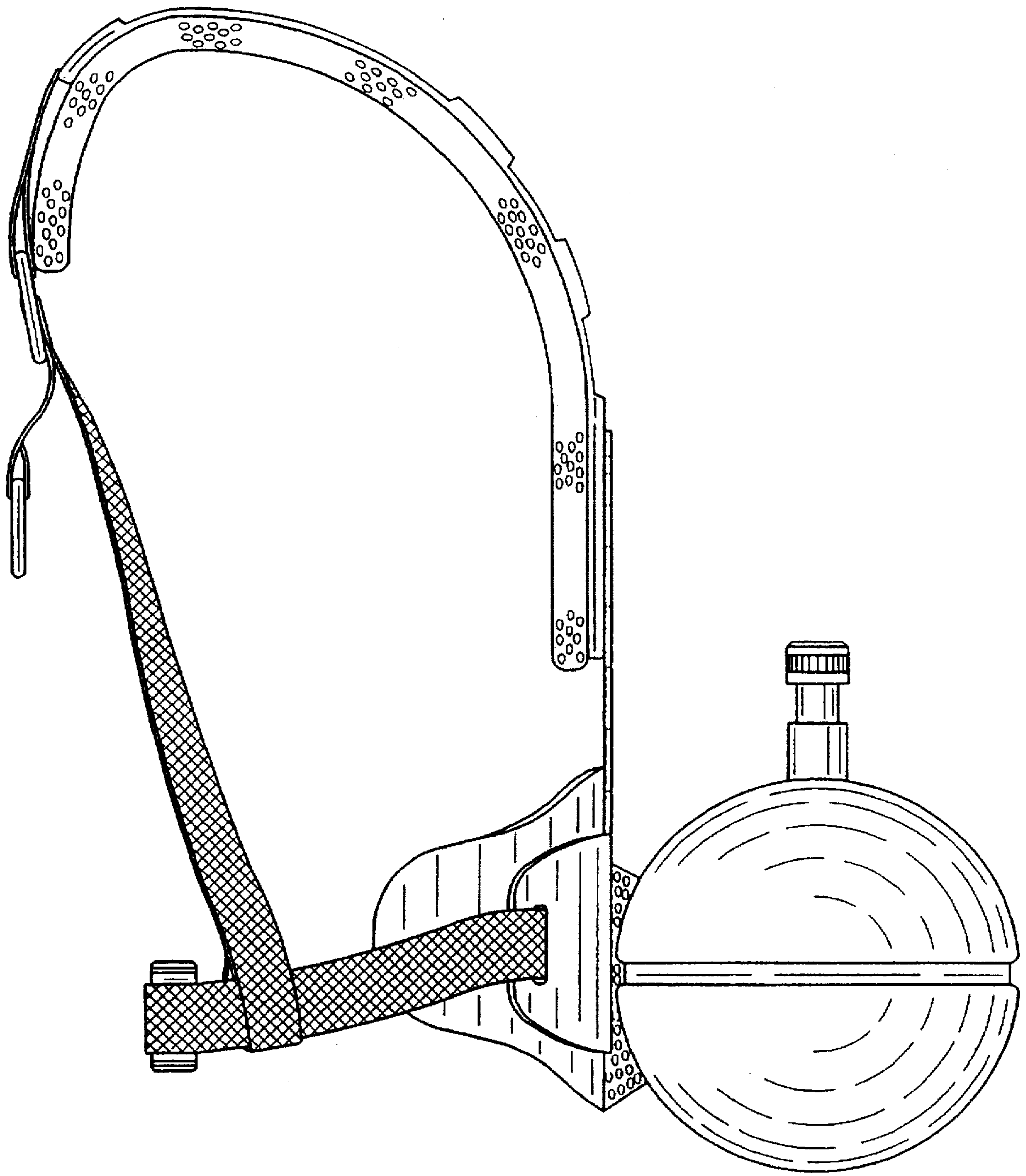


Fig. 5





*Fig. 6*



*Fig. 7*



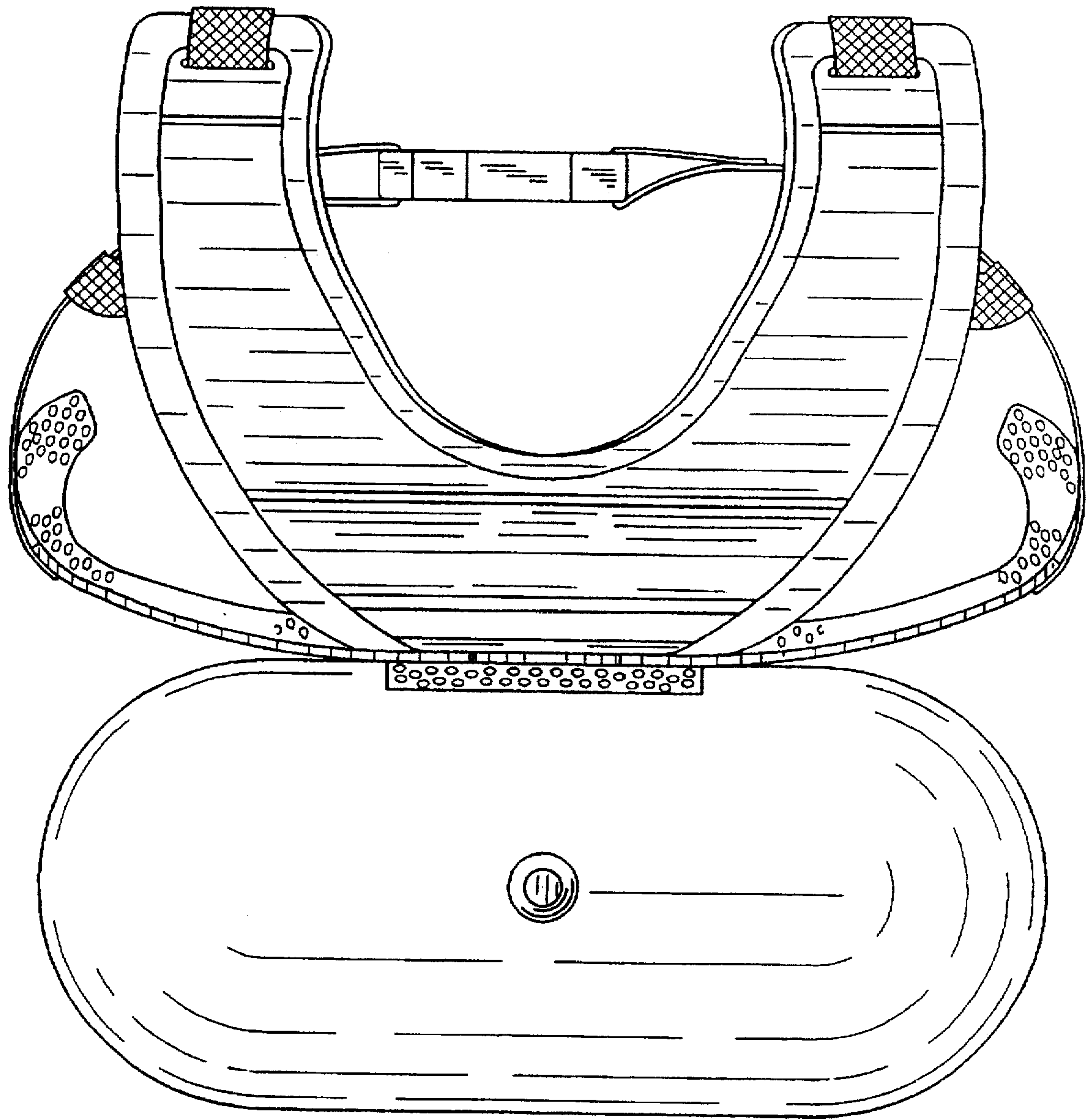


Fig. 8