



US00D391367S

United States Patent [19] Sandock

[11] Patent Number: **Des. 391,367**
[45] Date of Patent: ****Feb. 24, 1998**

[54] **COMBINED ENDOSCOPIC SUCTION AND IRRIGATION ELECTRO-SURGICAL INSTRUMENT**

5,295,956 3/1994 Bales et al. .
5,334,140 8/1994 Phillips et al. 604/902 X
5,449,357 9/1995 Zinnanti 606/45 X

[76] Inventor: **Paul Sandock**, 19 Woodberry Rd., New Hartford, N.Y. 13413

[**] Term: **14 Years**

[21] Appl. No.: **37,455**

[22] Filed: **Apr. 13, 1995**

[51] LOC (6) Cl. **24-02**

[52] U.S. Cl. **D24/108**

[58] Field of Search D24/112, 108,
D24/111, 113; 604/34, 275, 250, 902, 19,
43, 27, 35, 45; 433/29, 28, 82

[56] **References Cited**

U.S. PATENT DOCUMENTS

D. 350,194	8/1994	Marino et al.	D24/112
D. 352,780	11/1994	Glaeser et al.	D24/133
D. 353,886	12/1994	Bales et al.	D24/108
4,936,842	6/1990	A'Amelio et al. .	
5,273,524	12/1993	Fox et al. .	

OTHER PUBLICATIONS

Conmed Electrosurgical Suction/Irrigation Instrument brochure © 1993.

Primary Examiner—Louis S. Zarfaz
Assistant Examiner—Eric Watterson
Attorney, Agent, or Firm—Larson & Taylor

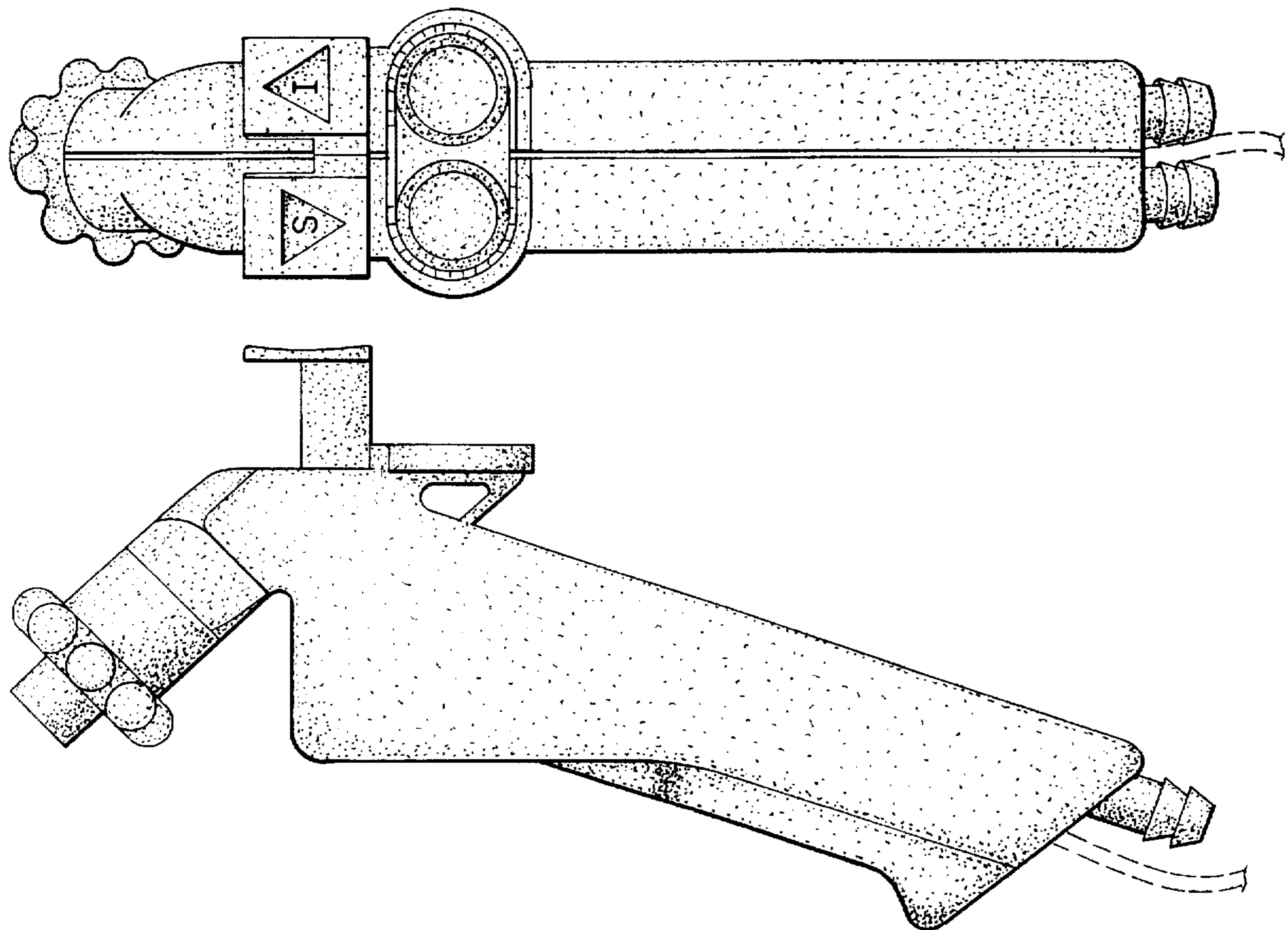
[57] **CLAIM**

The ornamental design for a combined endoscopic suction and irrigation electro-surgical instrument, as shown and described.

DESCRIPTION

FIG. 1 is a top plan view of the combined endoscopic suction and irrigation electro-surgical instrument;
FIG. 2 is a right side elevational view thereof;
FIG. 3 is a bottom plan view thereof;
FIG. 4 is a front elevational view thereof; and,
FIG. 5 is a rear plan view thereof.

1 Claim, 2 Drawing Sheets



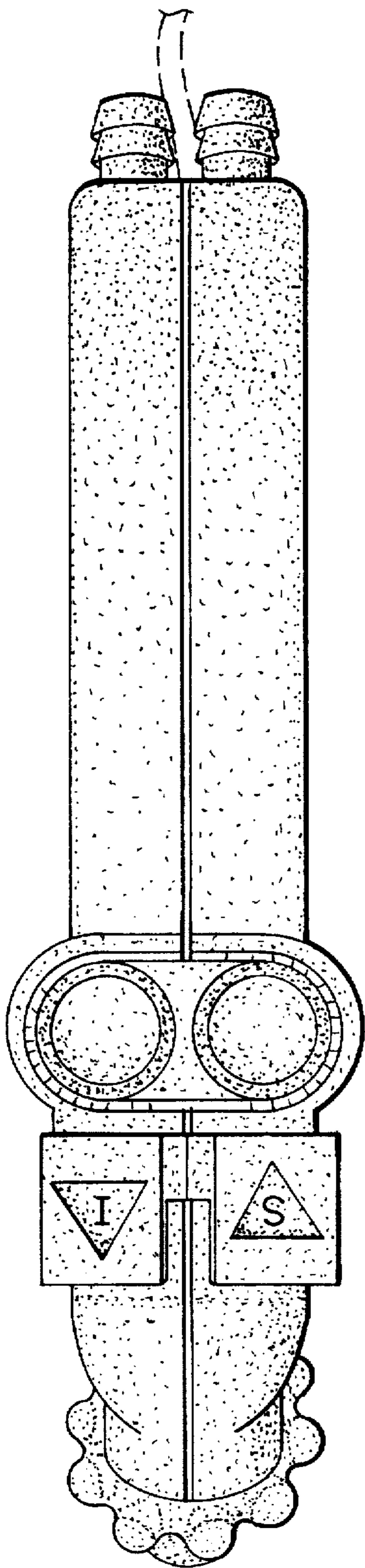


FIG. 1

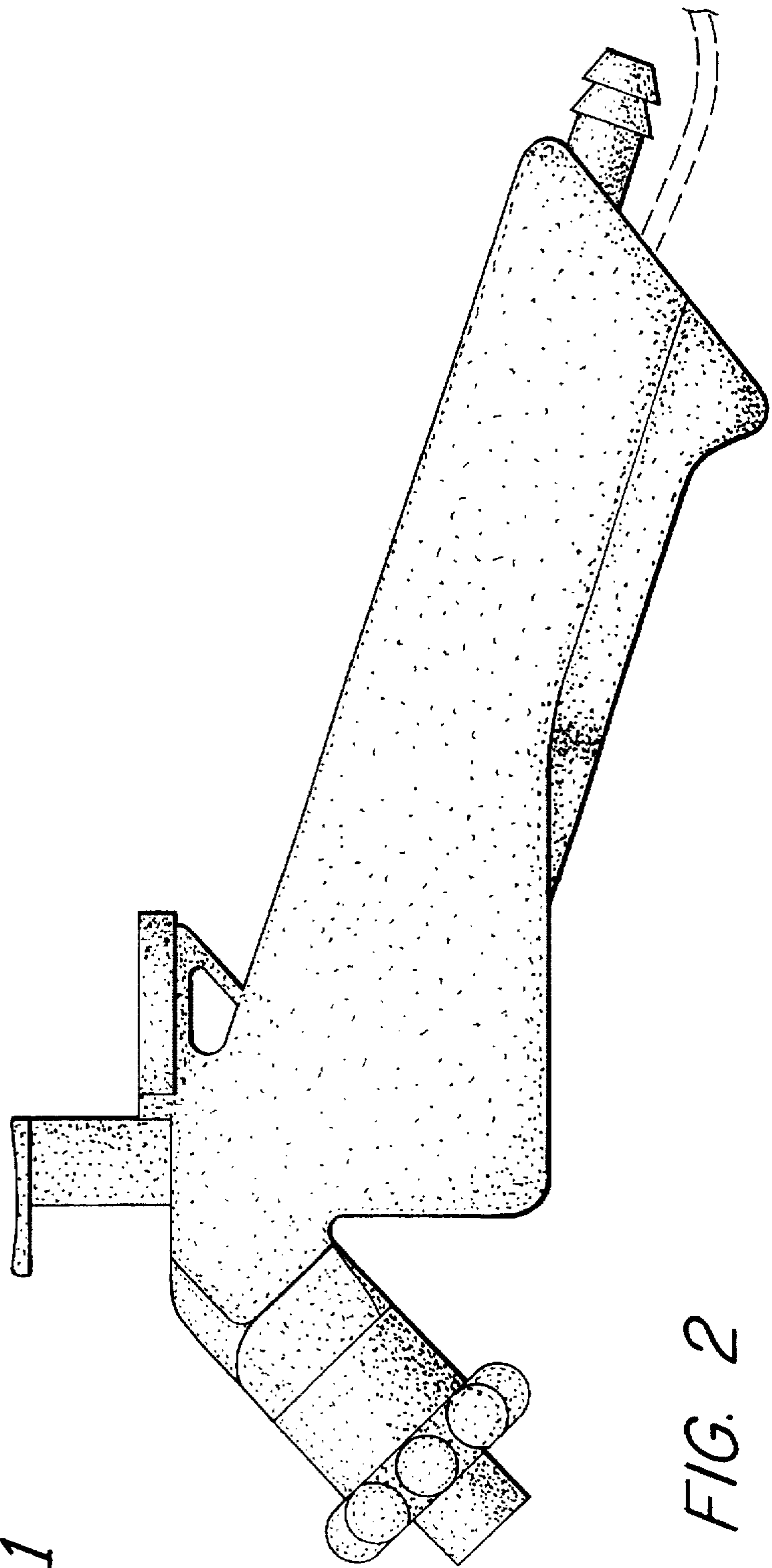


FIG. 2

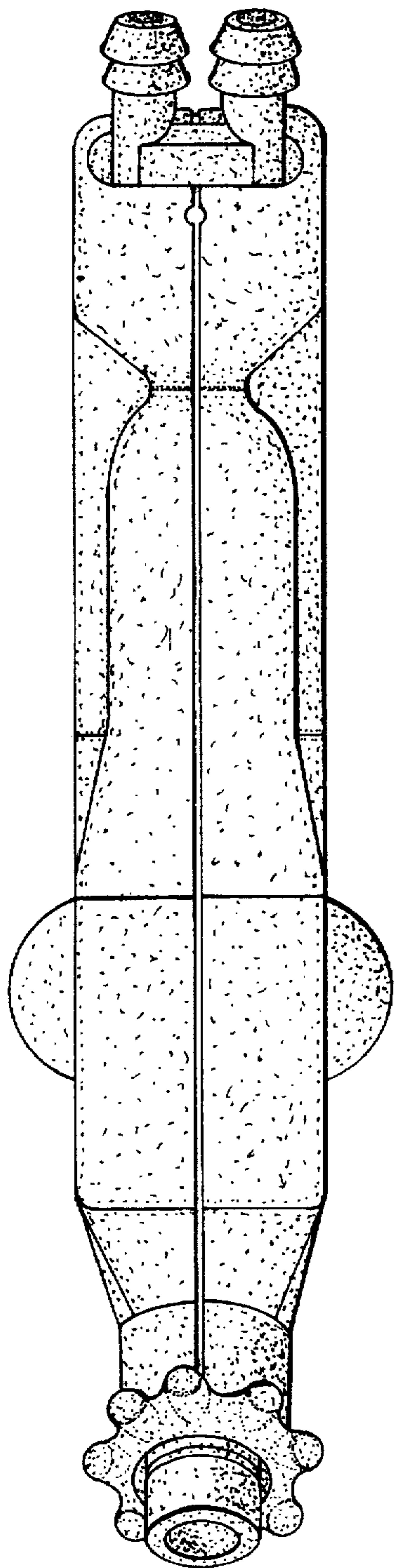


FIG. 3

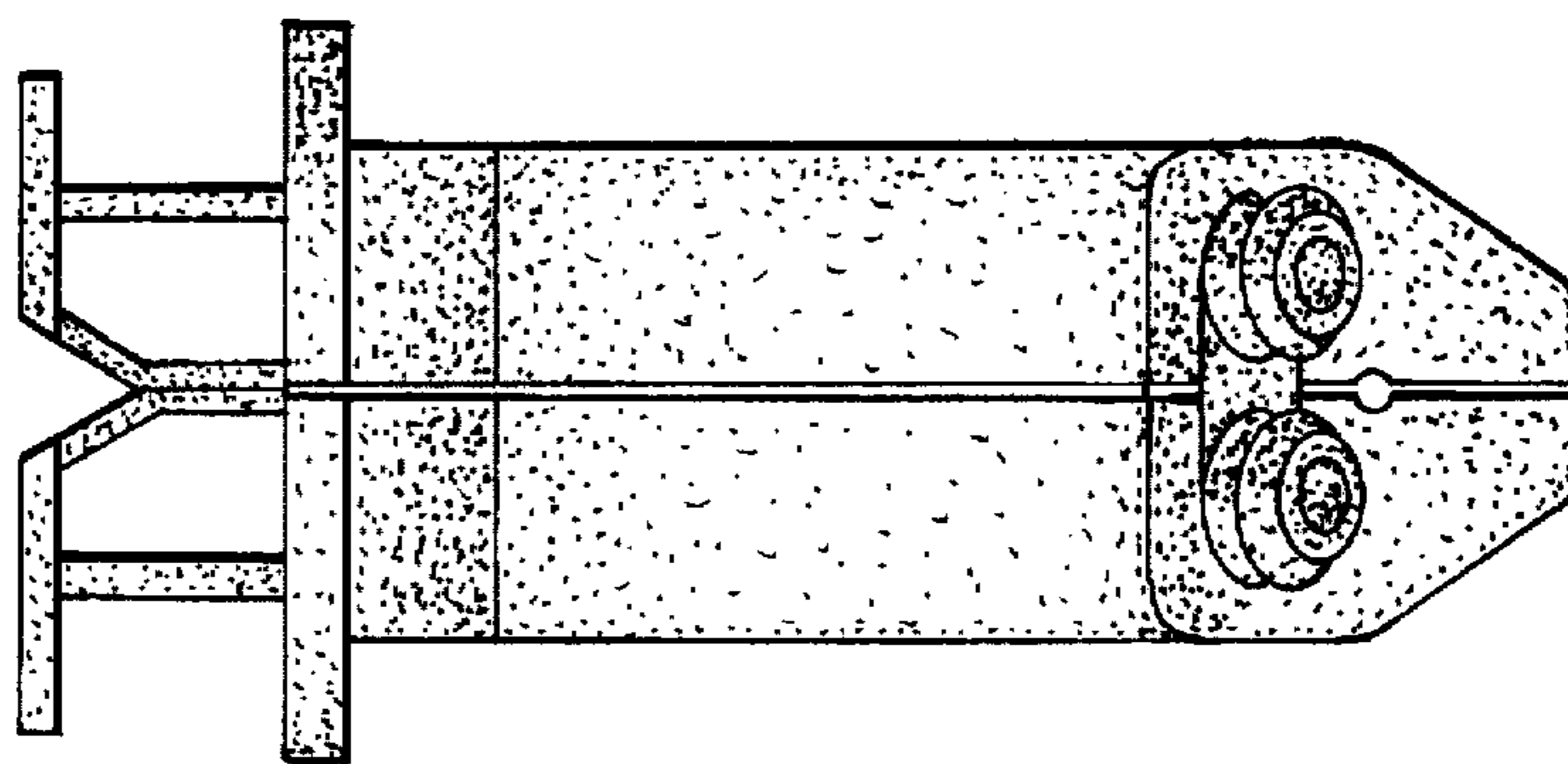


FIG. 5

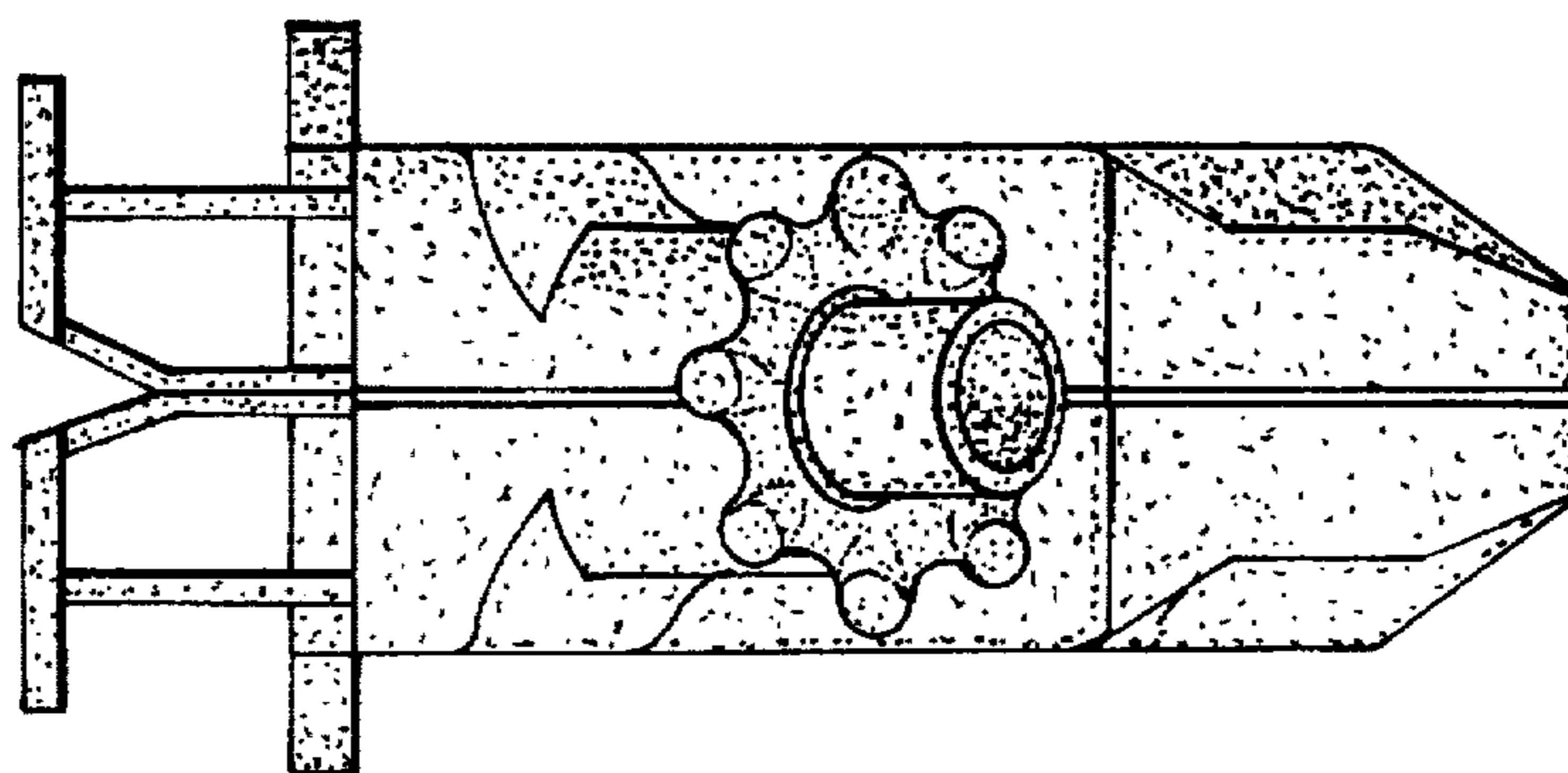


FIG. 4