



US00D391361S

# United States Patent [19]

Evans et al.

[11] Patent Number: **Des. 391,361**

[45] Date of Patent: **\*\*Feb. 24, 1998**

[54] **AUTOMATED PERIODONTAL PROBE HANDPIECE**

[75] Inventors: **William T. Evans**, Batesville; **Lanny L. McLey**, Fairfield Bay; **David W. Sale**, Heber Springs, all of Ark.

[73] Assignee: **Professional Dental Technologies, Inc.**, Batesville, Ark.

[\*\*] Term: **14 Years**

[21] Appl. No.: **63,411**

[22] Filed: **Dec. 6, 1996**

[51] LOC (6) Cl. .... **24-02**

[52] U.S. Cl. .... **D24/147; D24/146; D24/133; D24/176**

[58] Field of Search ..... **D24/152, 146, D24/147, 133, 180-182, 176; 433/75, 146, 147, 29, 32, 2**

[56] **References Cited**

**U.S. PATENT DOCUMENTS**

D. 248,967	8/1978	Shea et al. ....	D24/146
D. 321,400	11/1991	Beckman et al. ....	D24/152
3,014,278	12/1961	Aymar et al. ....	D24/146
3,397,457	8/1968	Gosselin ....	433/29

**FOREIGN PATENT DOCUMENTS**

0001004	3/1979	European Pat. Off. ....	433/147
---------	--------	-------------------------	---------

*Primary Examiner*—Louis S. Zarfes

*Assistant Examiner*—G. Andoll

*Attorney, Agent, or Firm*—McAulay Fisher Nissen Goldberg & Kiel, LLP

[57] **CLAIM**

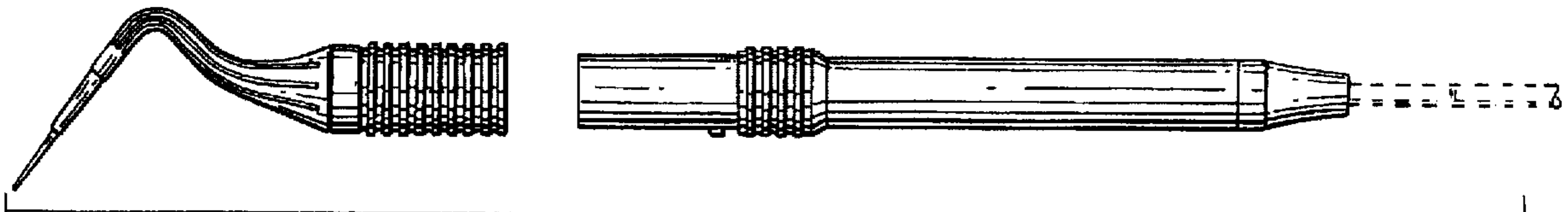
The ornamental design for an automated periodontal probe handpiece, as shown and described.

**DESCRIPTION**

FIG. 1 is a top view of the automated periodontal probe handpiece, showing our new design;  
 FIG. 2 is a top view of the automated periodontal probe handpiece, showing the disposable probing portion removed from a receiver portion of the handpiece;  
 FIG. 3 is a bottom view of the handpiece of FIG. 1;  
 FIG. 4 is a bottom side view of FIG. 2;  
 FIG. 5 is a side view of the handpiece of FIG. 1;  
 FIG. 6 is a side view of the handpiece of FIG. 2;  
 FIG. 7 is a front view of the handpiece of FIG. 5;  
 FIG. 8 is a rear view of the handpiece of FIG. 5;  
 FIG. 9 is a rear view of the disposable probing portion of FIG. 6; and  
 FIG. 10 is a front view of the receiver portion of the handpiece of FIG. 6.

The broken line showing of the cord in FIGS. 1-6 is for illustrative purposes only and forms no part of the claimed design.

**1 Claim, 2 Drawing Sheets**



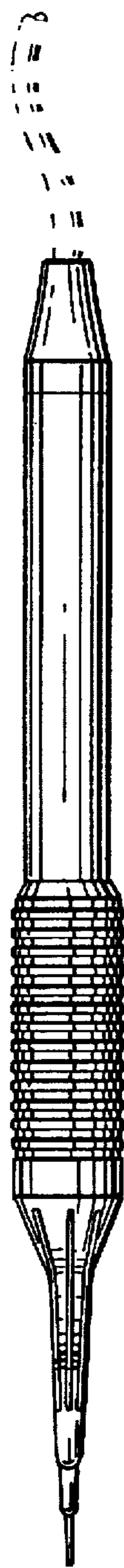


FIG. 1

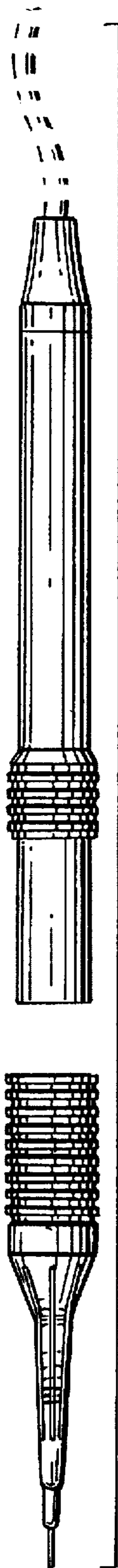


FIG. 2

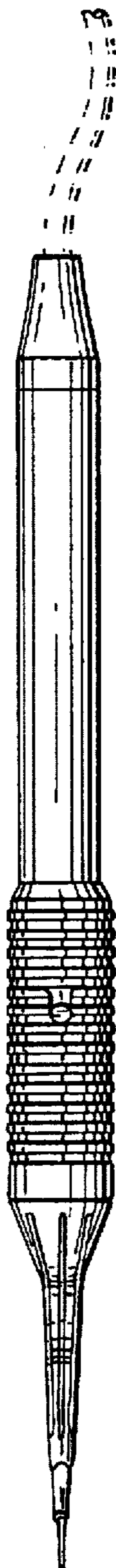


FIG. 3

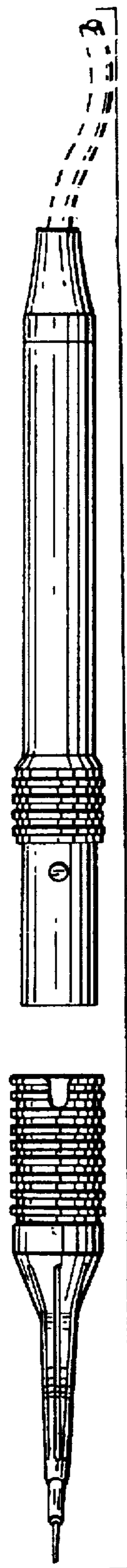


FIG. 4

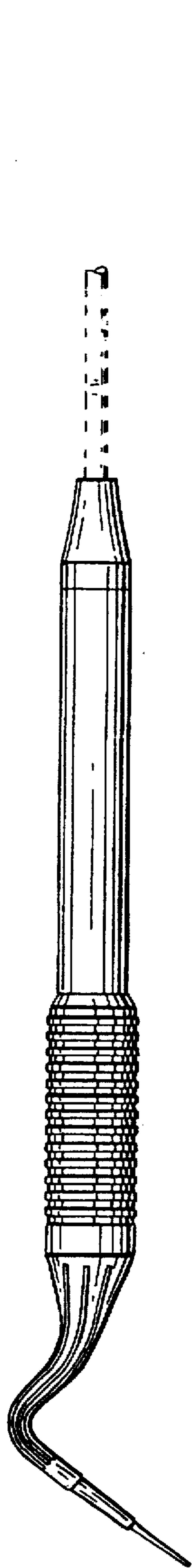


FIG. 5

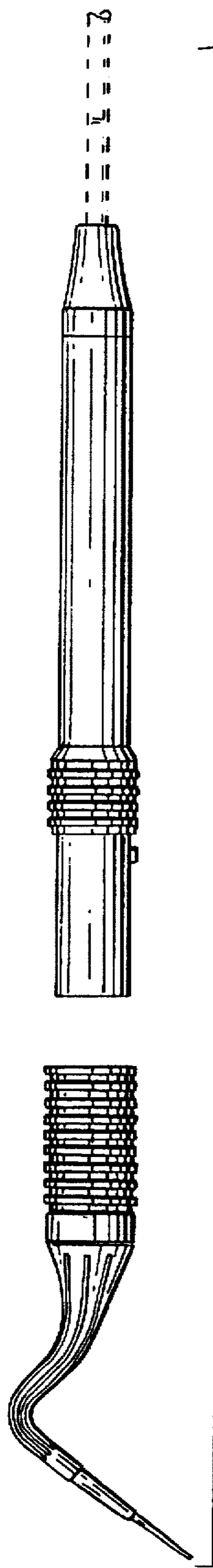


FIG. 6

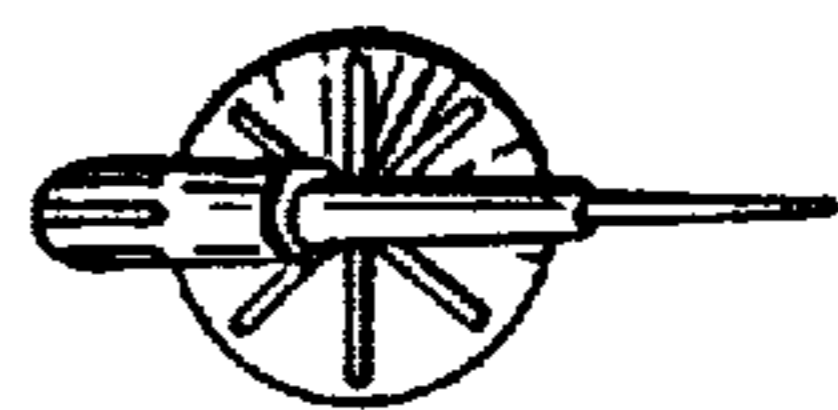


FIG. 7

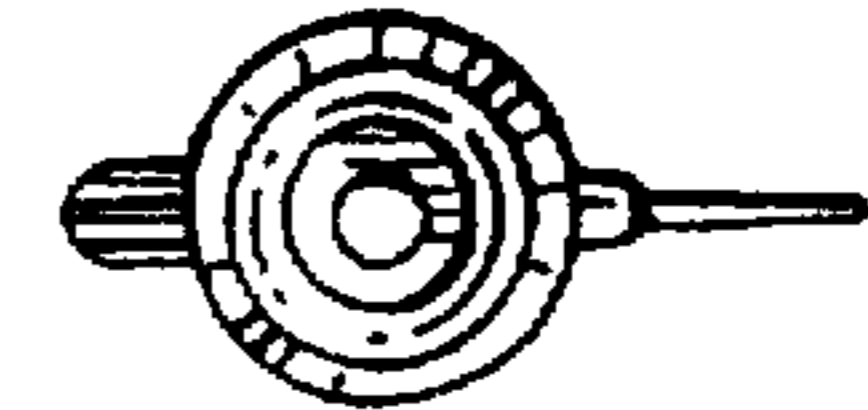


FIG. 8

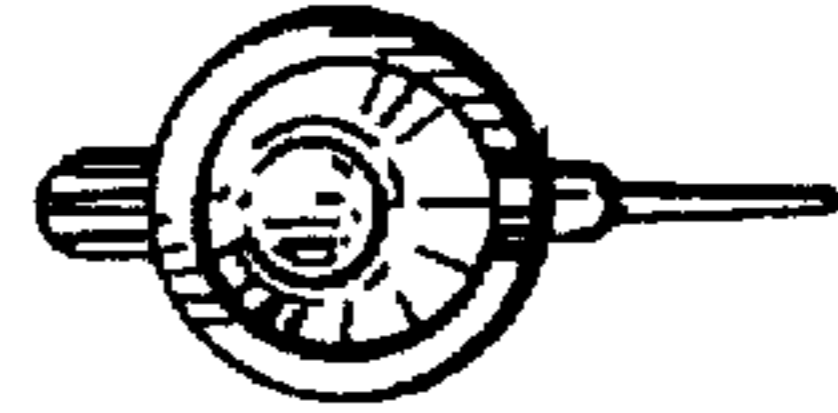


FIG. 9



FIG. 10