



US00D391360S

United States Patent [19]

Krauter et al.

[11] Patent Number: **Des. 391,360**

[45] Date of Patent: ****Feb. 24, 1998**

[54] COLPOSCOPE WITH A SWING ARM SUPPORTING FIXTURE

| | | | |
|-----------|---------|-------------------|---------|
| 3,994,288 | 11/1976 | Stumpf | 600/107 |
| 4,134,637 | 1/1979 | Leisegang | 606/107 |
| 4,491,131 | 1/1985 | Vassiliadis | 606/109 |

[75] Inventors: **Allan L. Krauter**, Syracuse; **Michael Kehoskie**, Jordan; **Susan E. Reilly**, Syracuse; **Scott Ryan**, Skaneateles; **Deborah A. Laun**; **Frank J. Witkowski, III**, both of Syracuse, all of N.Y.

Primary Examiner—Doris Clark
Attorney, Agent, or Firm—Wall Marjama & Bilinski

[73] Assignee: **Welch Allyn, Inc.**, Skaneateles Falls, N.Y.

[57] CLAIM

The ornamental design for a colposcope with a swing arm supporting fixture, as shown and described.

[**] Term: **14 Years**

DESCRIPTION

[21] Appl. No.: **62,345**

FIG. 1 is a side perspective view of the video colposcope with a swing arm supporting fixture showing our new design;

[22] Filed: **Nov. 13, 1996**

FIG. 2 is a left side elevational view;

[51] LOC (6) Cl. **24-02**

FIG. 3 is a front elevational view;

[52] U.S. Cl. **D24/137**

FIG. 4 is a right side elevational view;

[58] Field of Search D24/137, 138, D24/128, 144; 600/109, 112, 160, 101, 107, 102; 128/749 MS

FIG. 5 is a rear elevational view;

FIG. 6 is a top plan view; and,

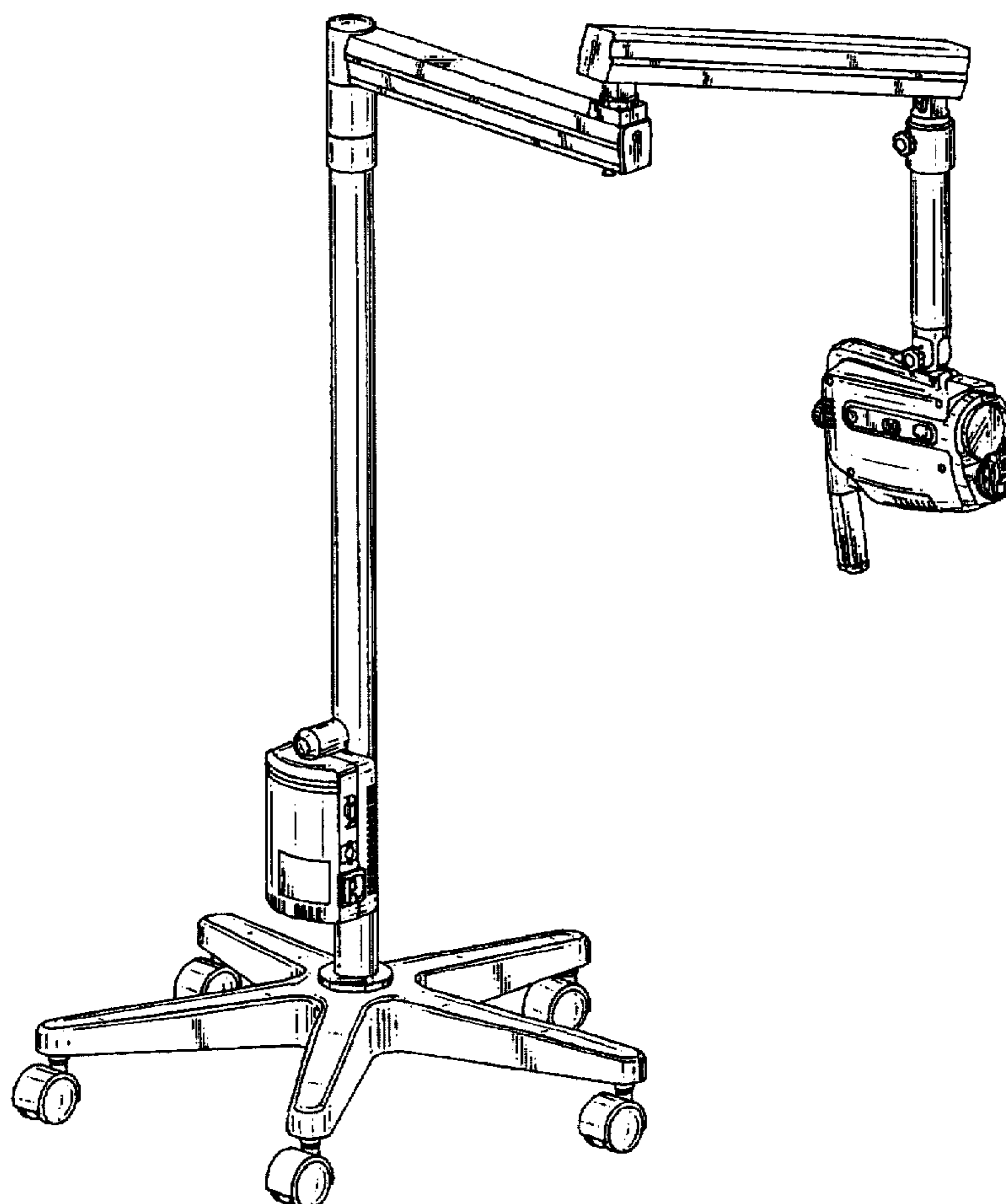
FIG. 7 is a bottom plan view.

[56] References Cited

U.S. PATENT DOCUMENTS

D. 202,552 10/1965 Krauter et al. D24/137

1 Claim, 7 Drawing Sheets



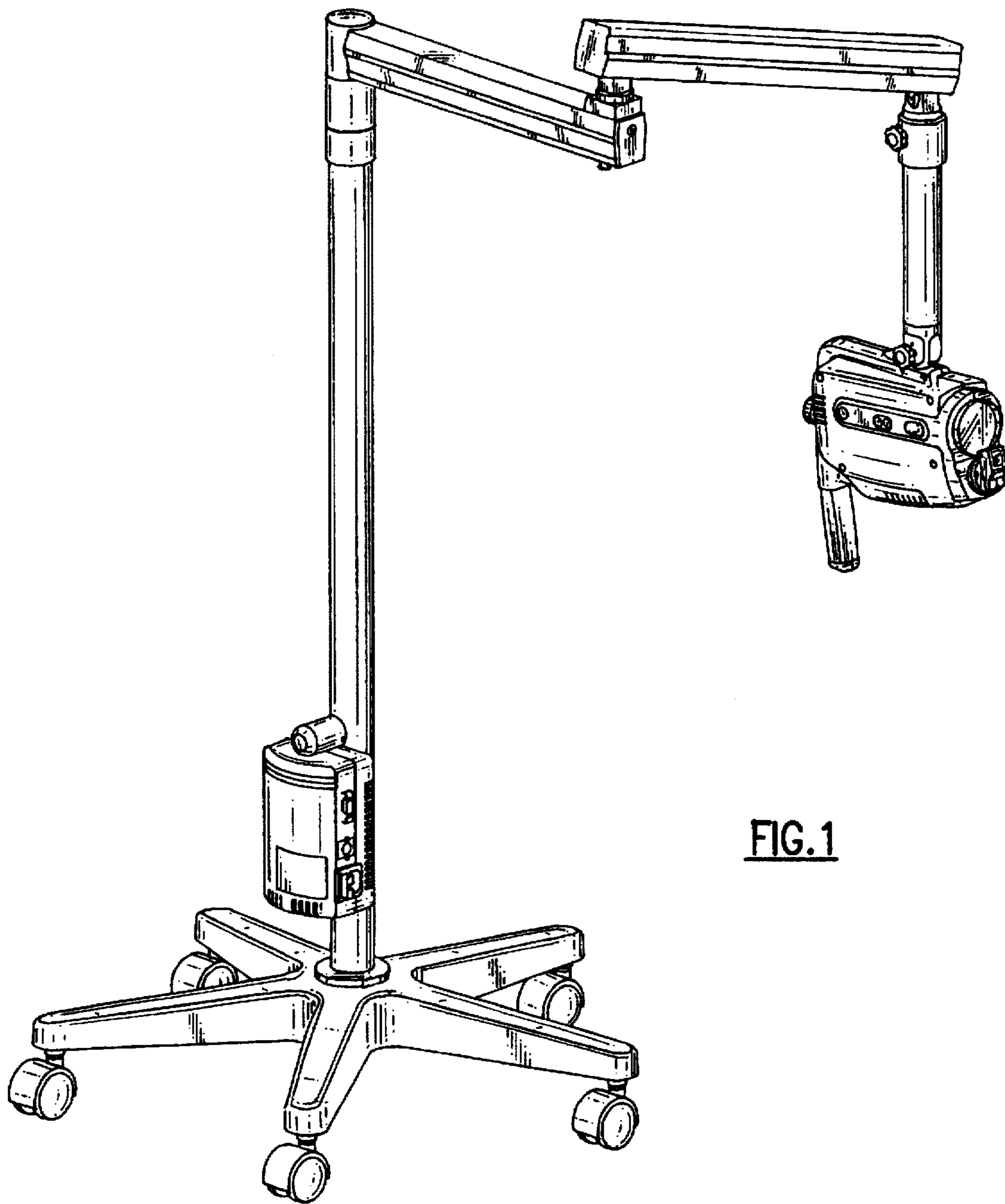


FIG. 1

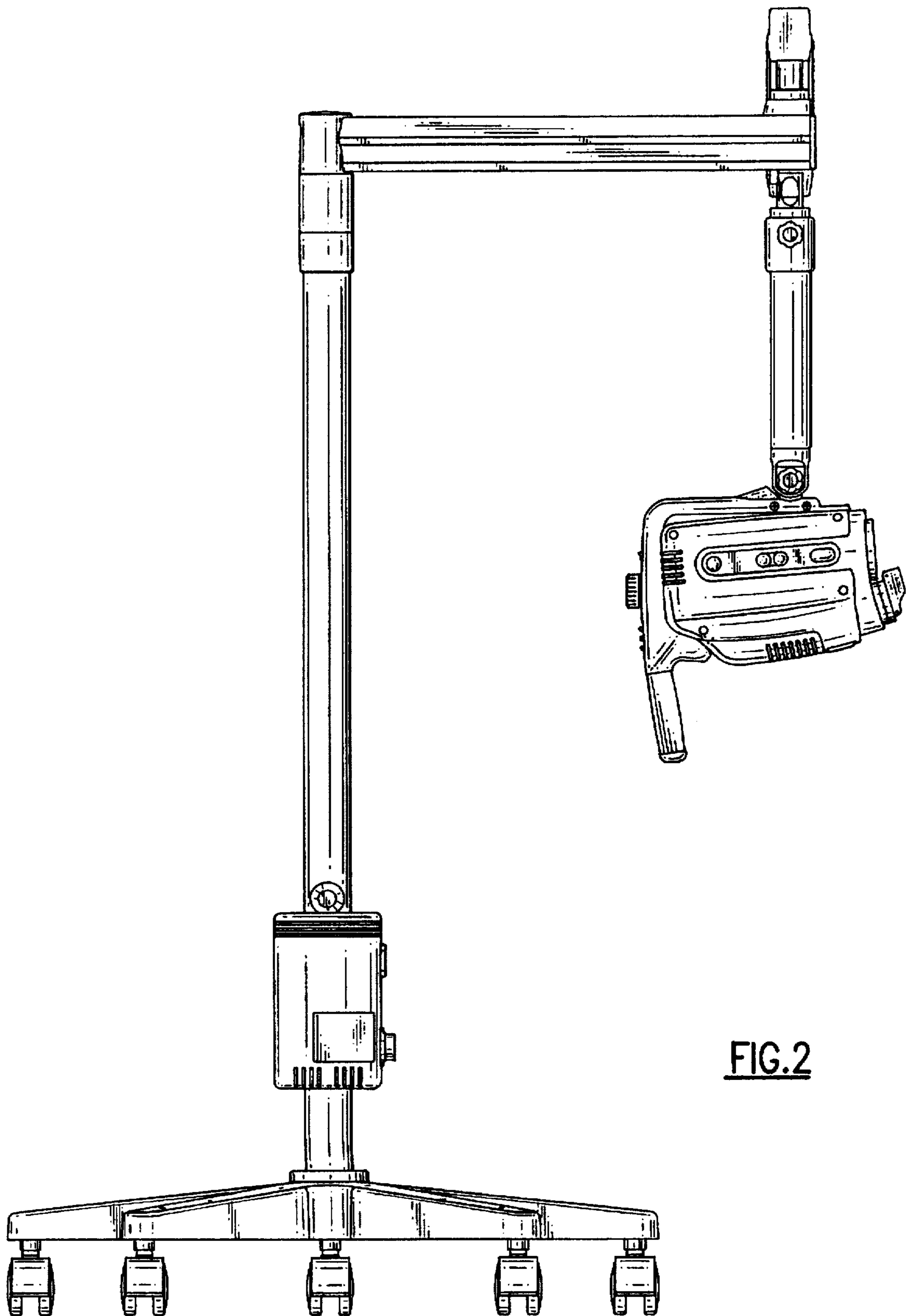


FIG. 2

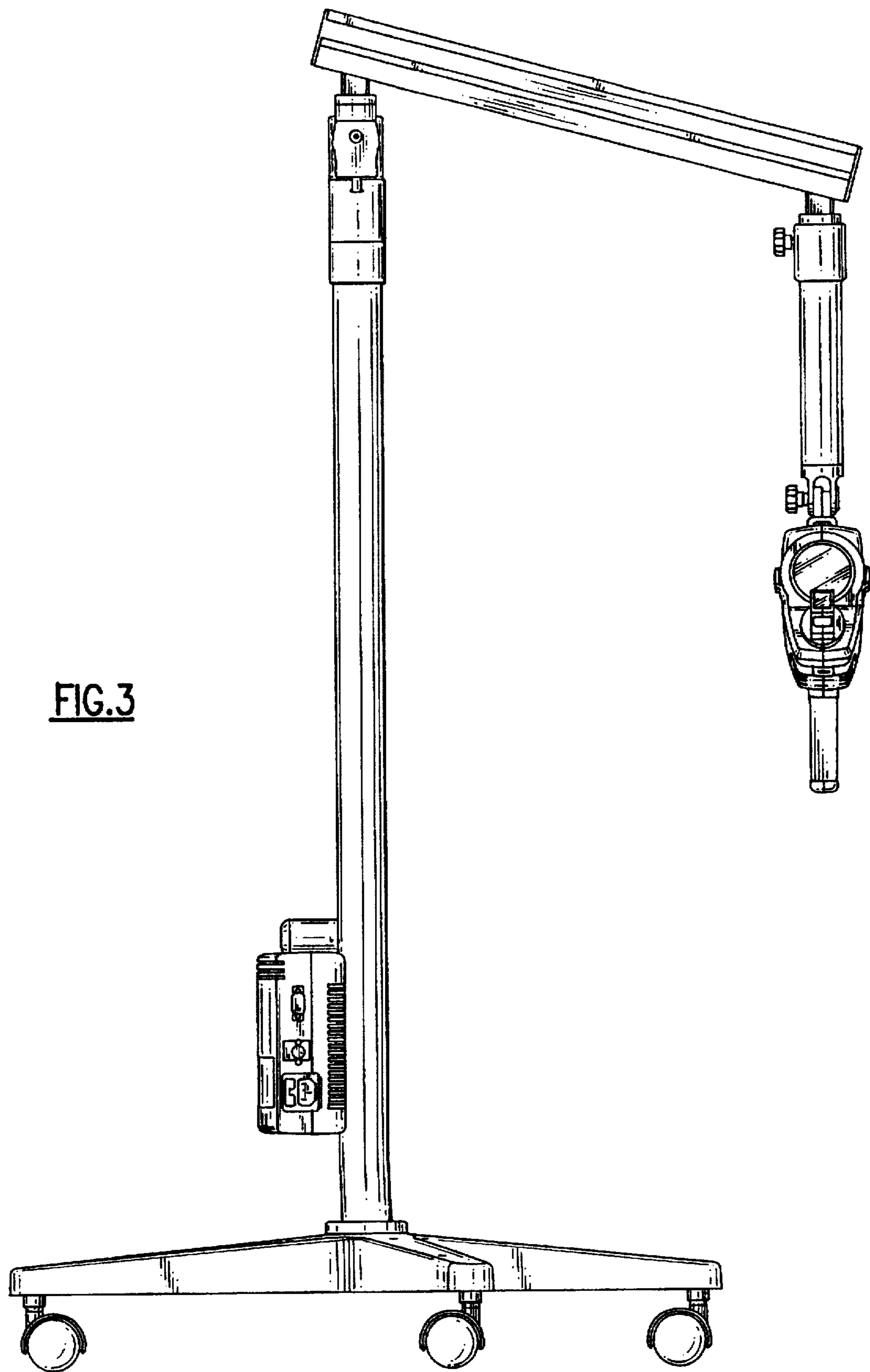


FIG.3

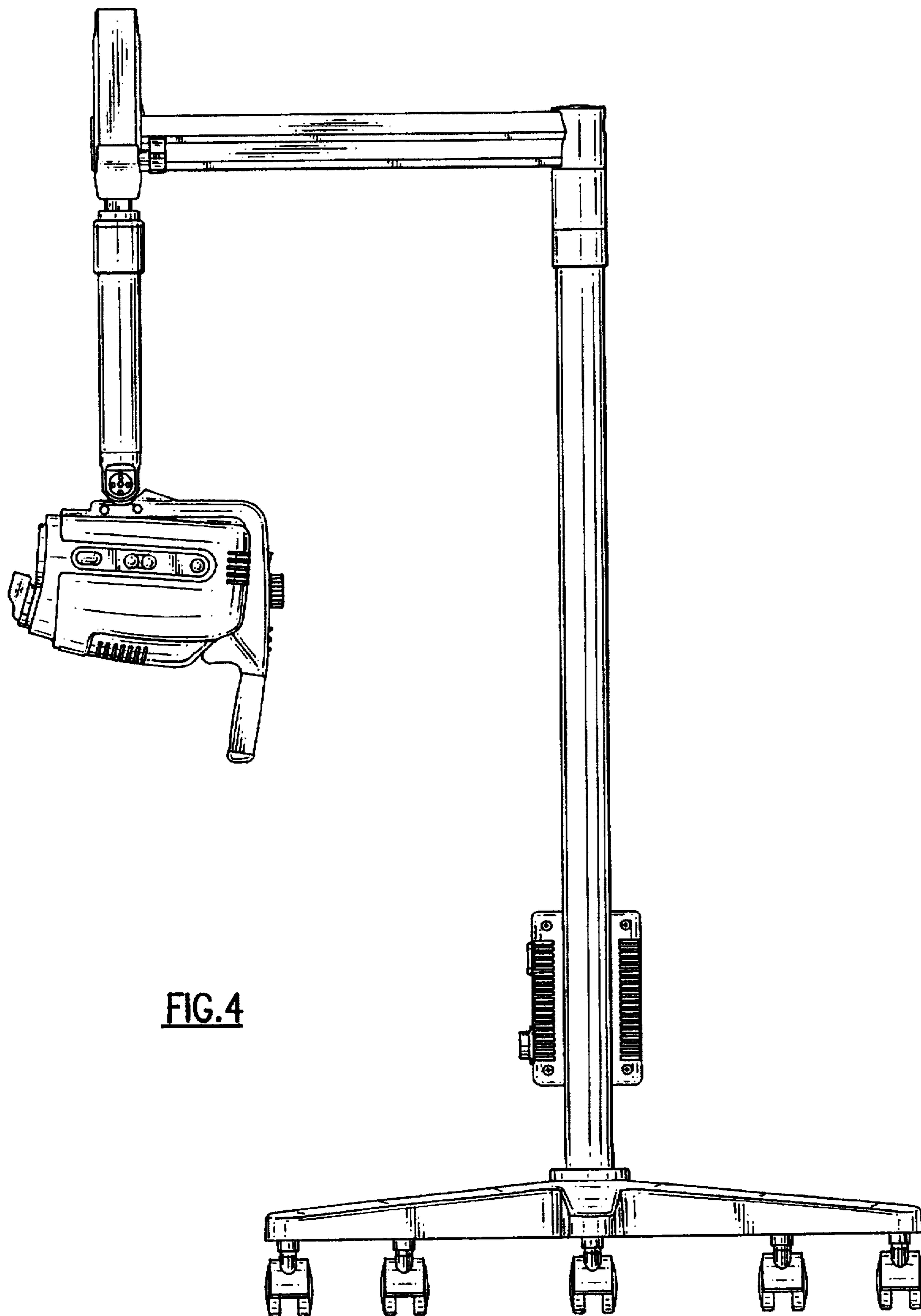


FIG.4

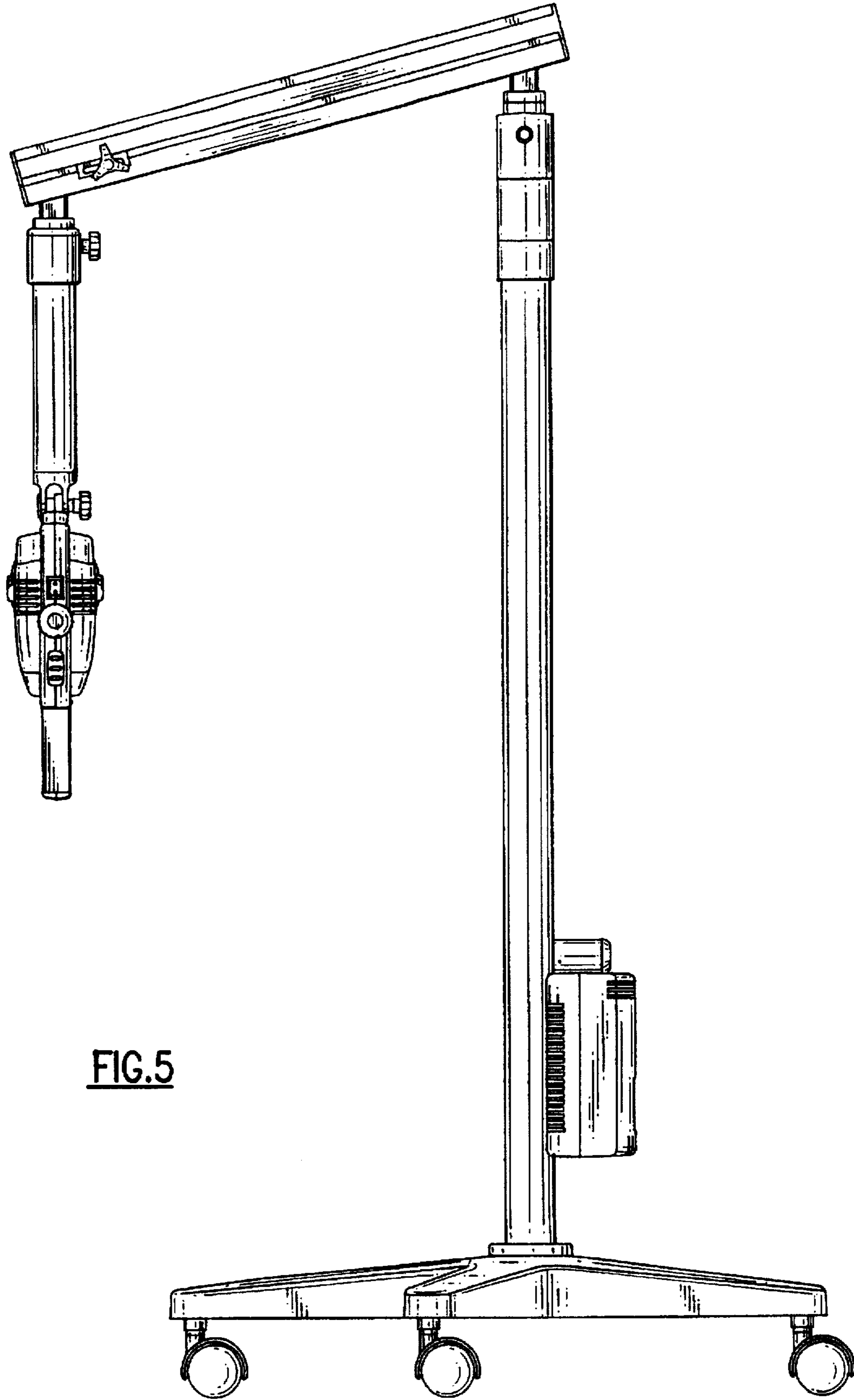


FIG.5

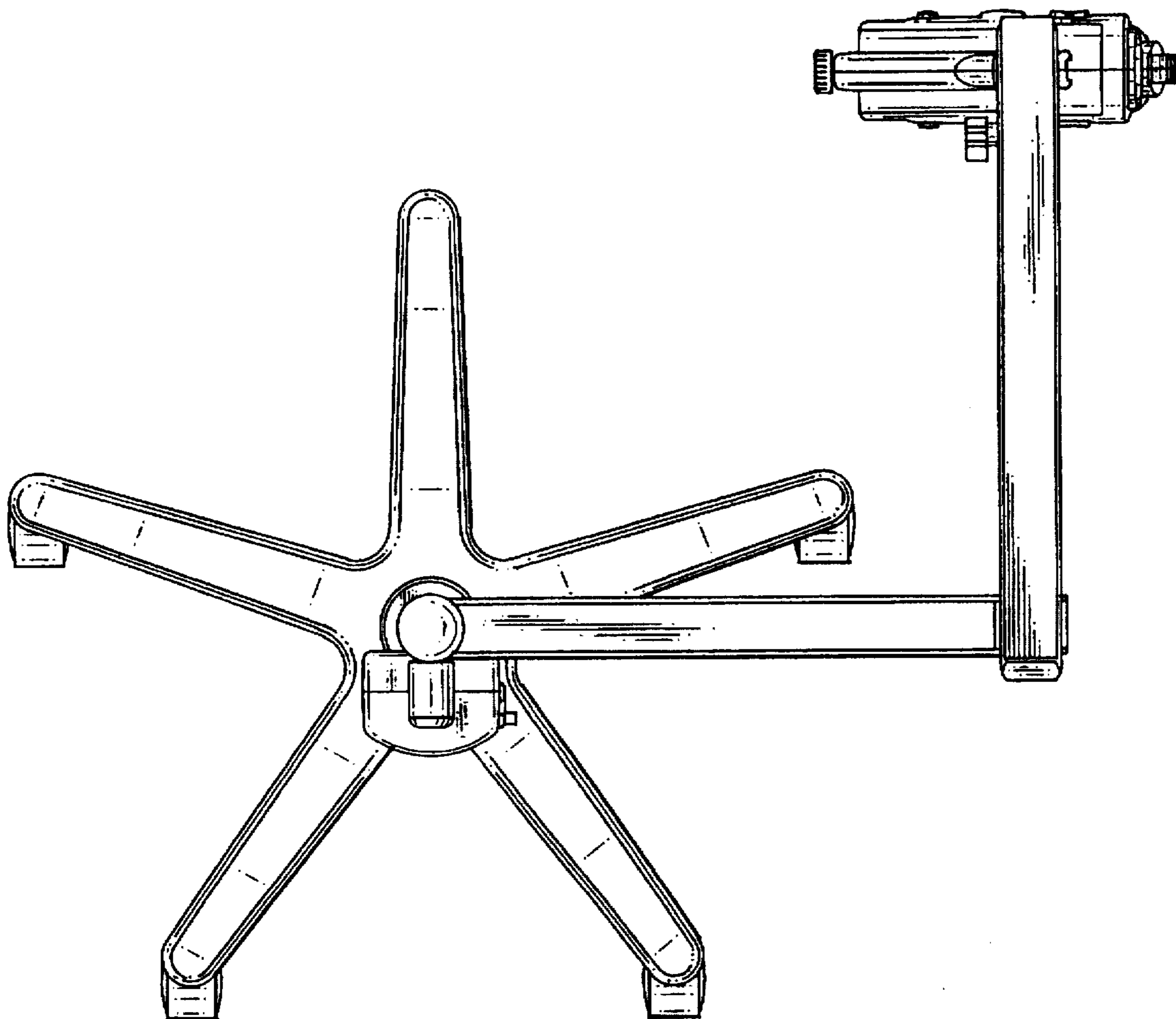


FIG.6

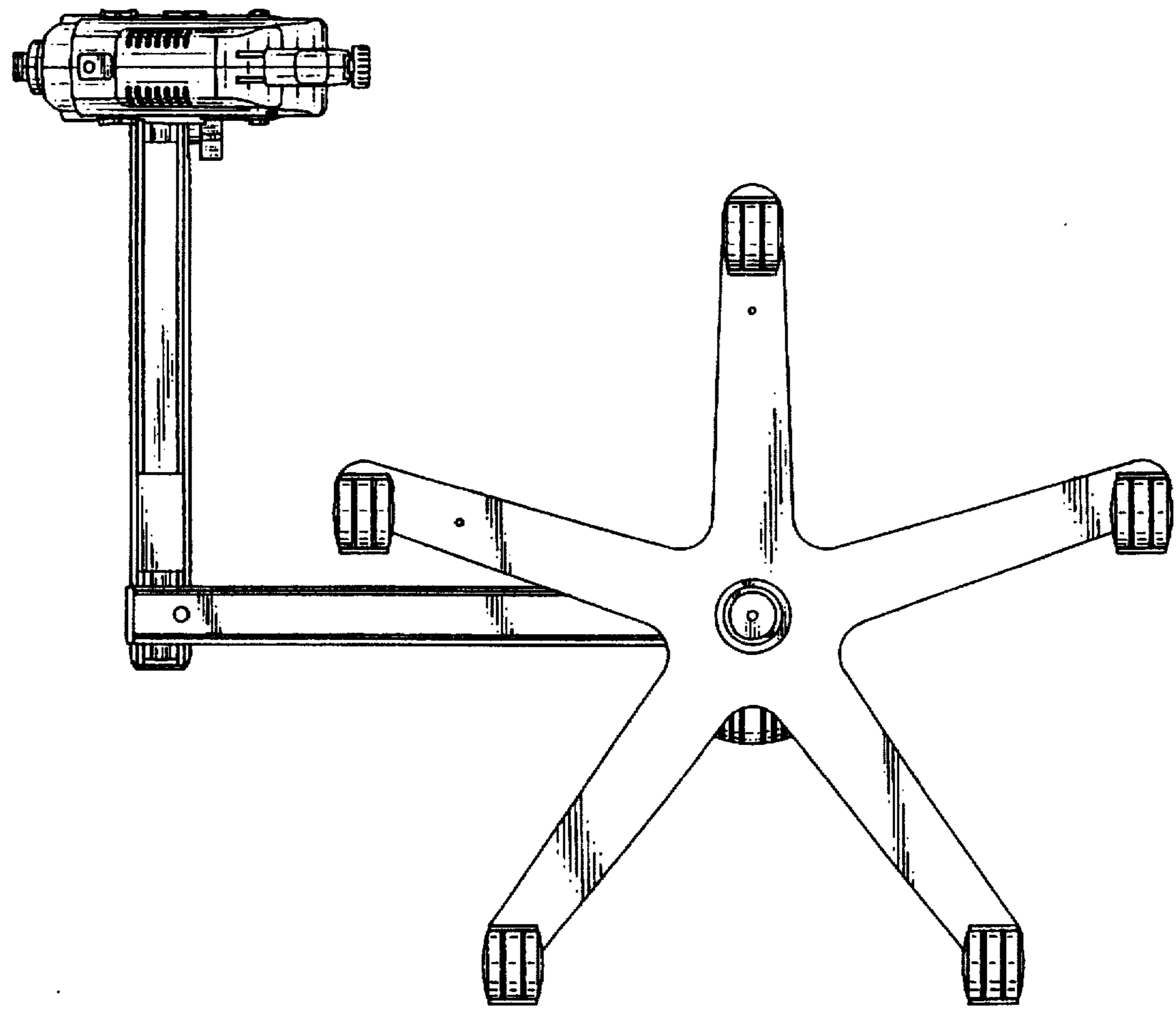


FIG.7