



US00D391354S

# United States Patent [19]

Mendelovich et al.

[11] Patent Number: **Des. 391,354**

[45] Date of Patent: **\*\*Feb. 24, 1998**

[54] **CONVERTIBLE TOILET SEAT**

[75] Inventors: **Yisrael Mendelovich, Rehovot; Shlomo Nevo, Tel Aviv, both of Israel**

[73] Assignee: **Litaf Industries (1994) Ltd., Rehovot, Israel**

[\*\*] Term: **14 Years**

[21] Appl. No.: **66,662**

[22] Filed: **Feb. 14, 1997**

[30] **Foreign Application Priority Data**

Aug. 19, 1996 [IL] Israel ..... 26647

[51] LOC (6) Cl. .... **23-02**

[52] U.S. Cl. .... **D23/296; D23/311**

[58] Field of Search ..... D23/303, 311,  
D23/296, 297; 4/667, 237, 246.4, 480,  
484, 483, 902, 235, 239, 449, 476-479;  
280/697

[56] **References Cited**

**U.S. PATENT DOCUMENTS**

D. 204,447 4/1966 Sellars, Jr. .... D23/296

D. 333,865 3/1993 D'Aquills ..... D23/311  
473,704 4/1892 Cousti ..... 4/237  
1,518,447 12/1924 Phillips ..... 4/420

*Primary Examiner*—Louis S. Zarfaz  
*Assistant Examiner*—Eric Watterson  
*Attorney, Agent, or Firm*—Ladas & Parry

[57] **CLAIM**

The ornamental design for convertible toilet seat, as shown.

**DESCRIPTION**

FIG. 1 is a front elevational view of a convertible toilet seat showing our new design;  
FIG. 2 is a left side elevational view thereof;  
FIG. 3 is a rear elevational view thereof;  
FIG. 4 is a right side elevational view thereof;  
FIG. 5 is a top plan view thereof;  
FIG. 6 is a bottom plan view thereof; and,  
FIG. 7 is a perspective view thereof.

**1 Claim, 7 Drawing Sheets**

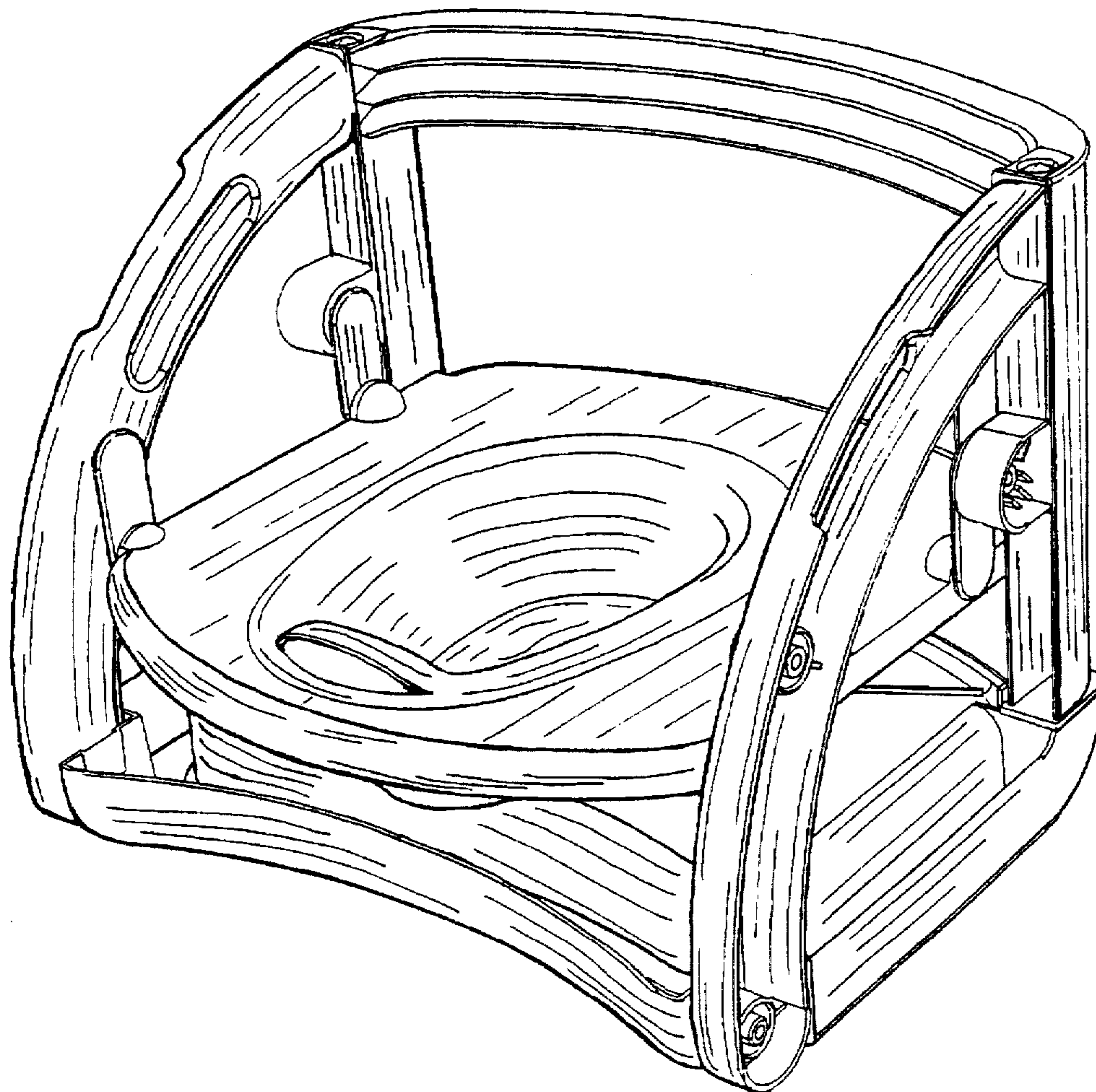


FIG. 1

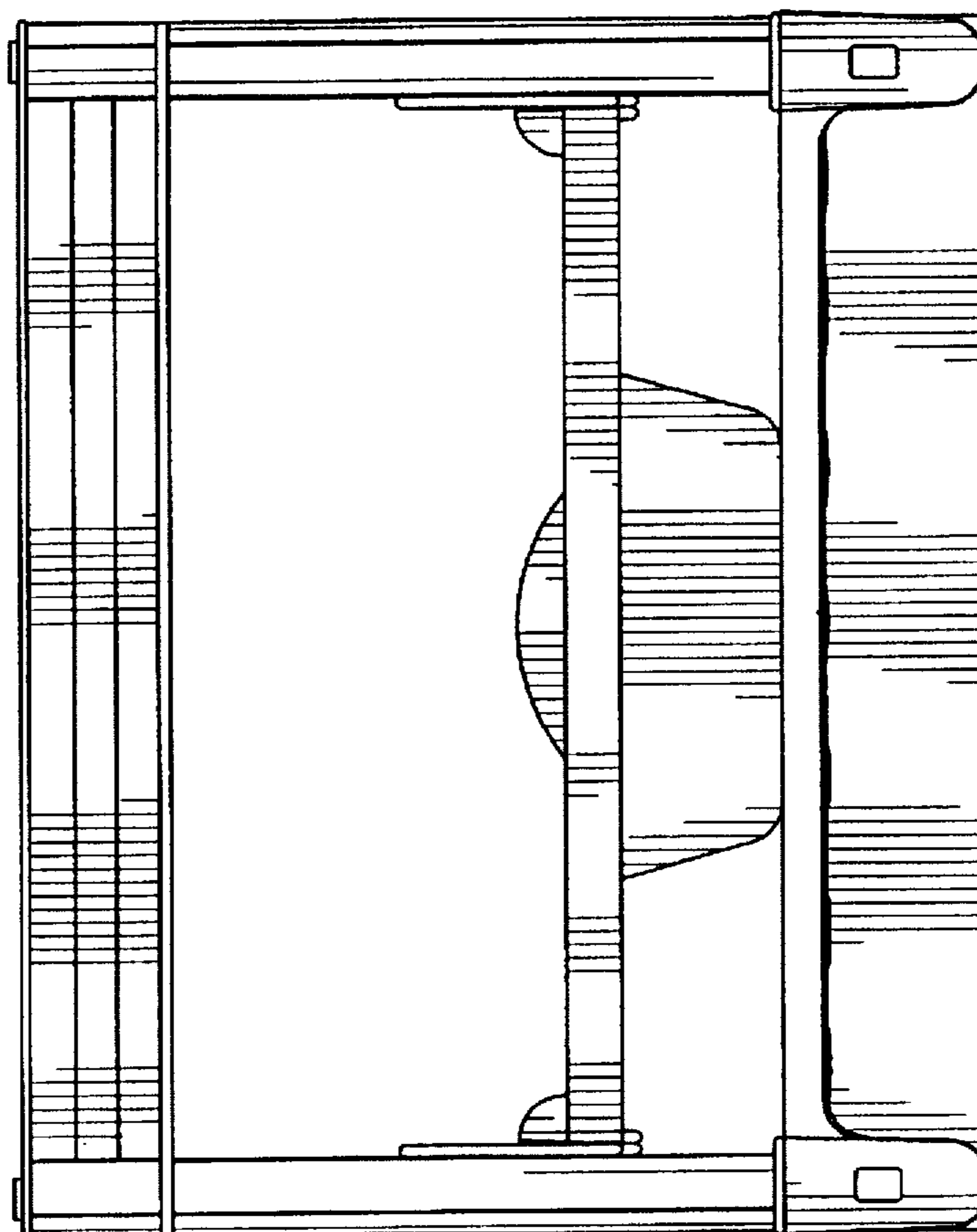


FIG. 2

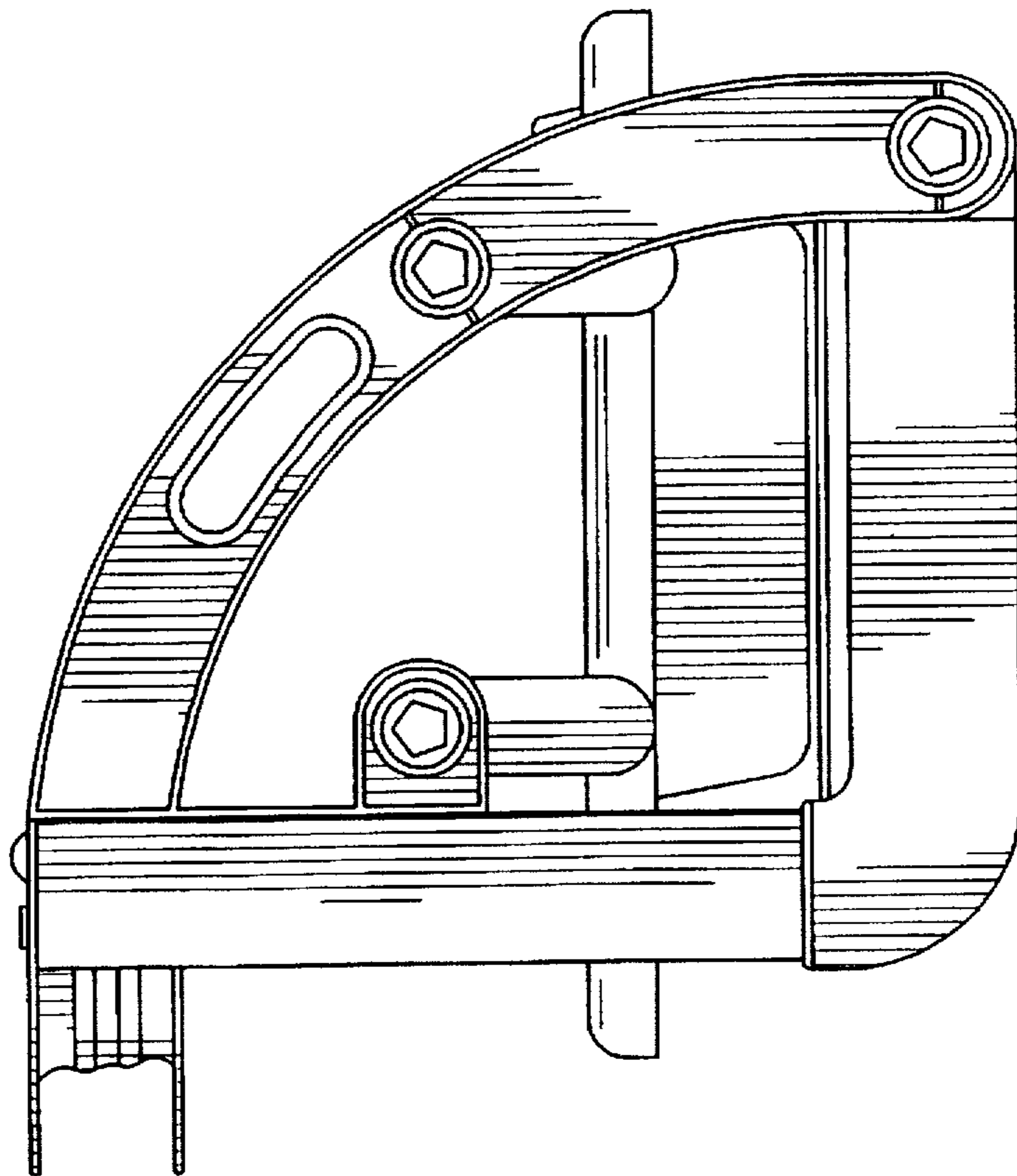


FIG. 3

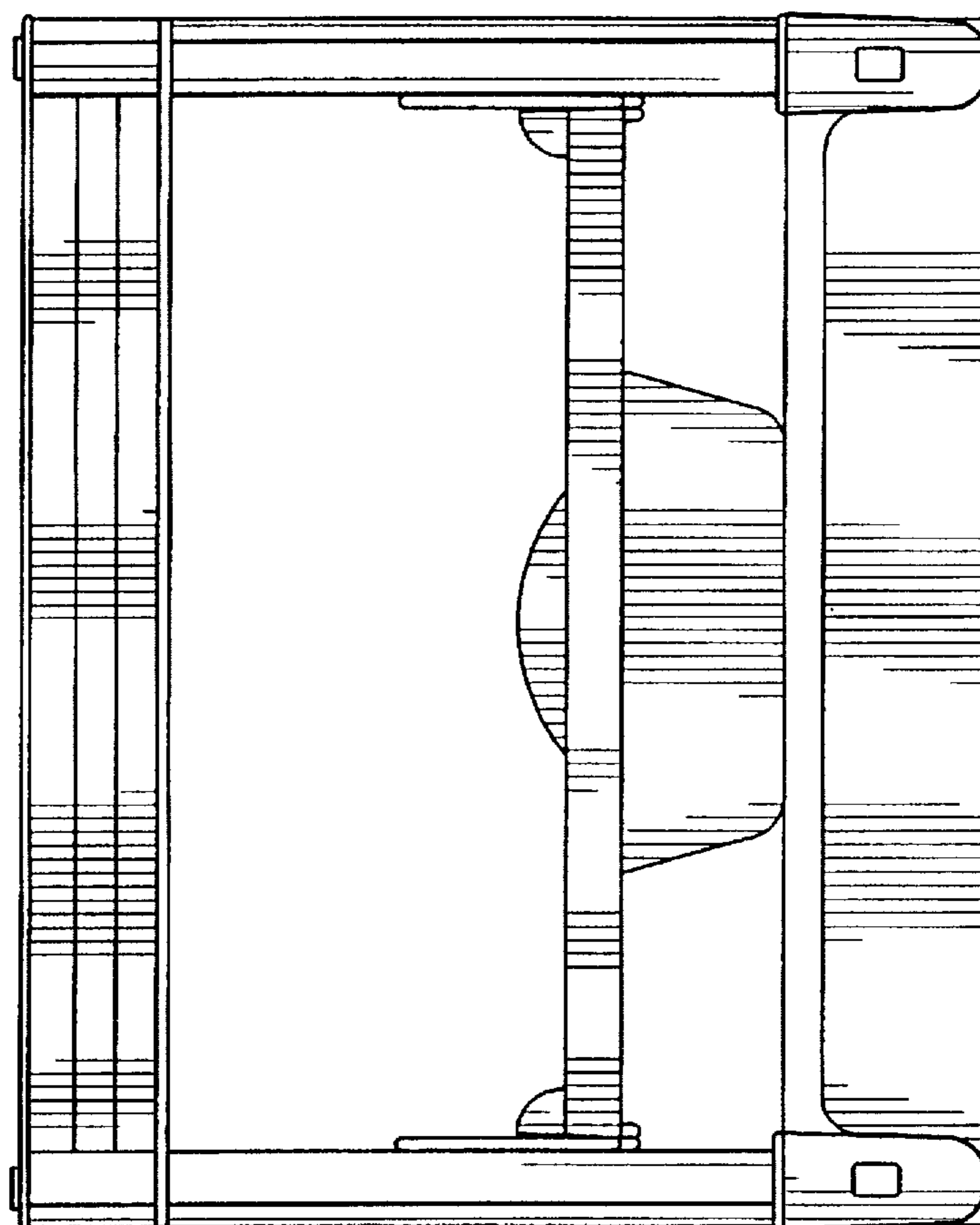


FIG. 4

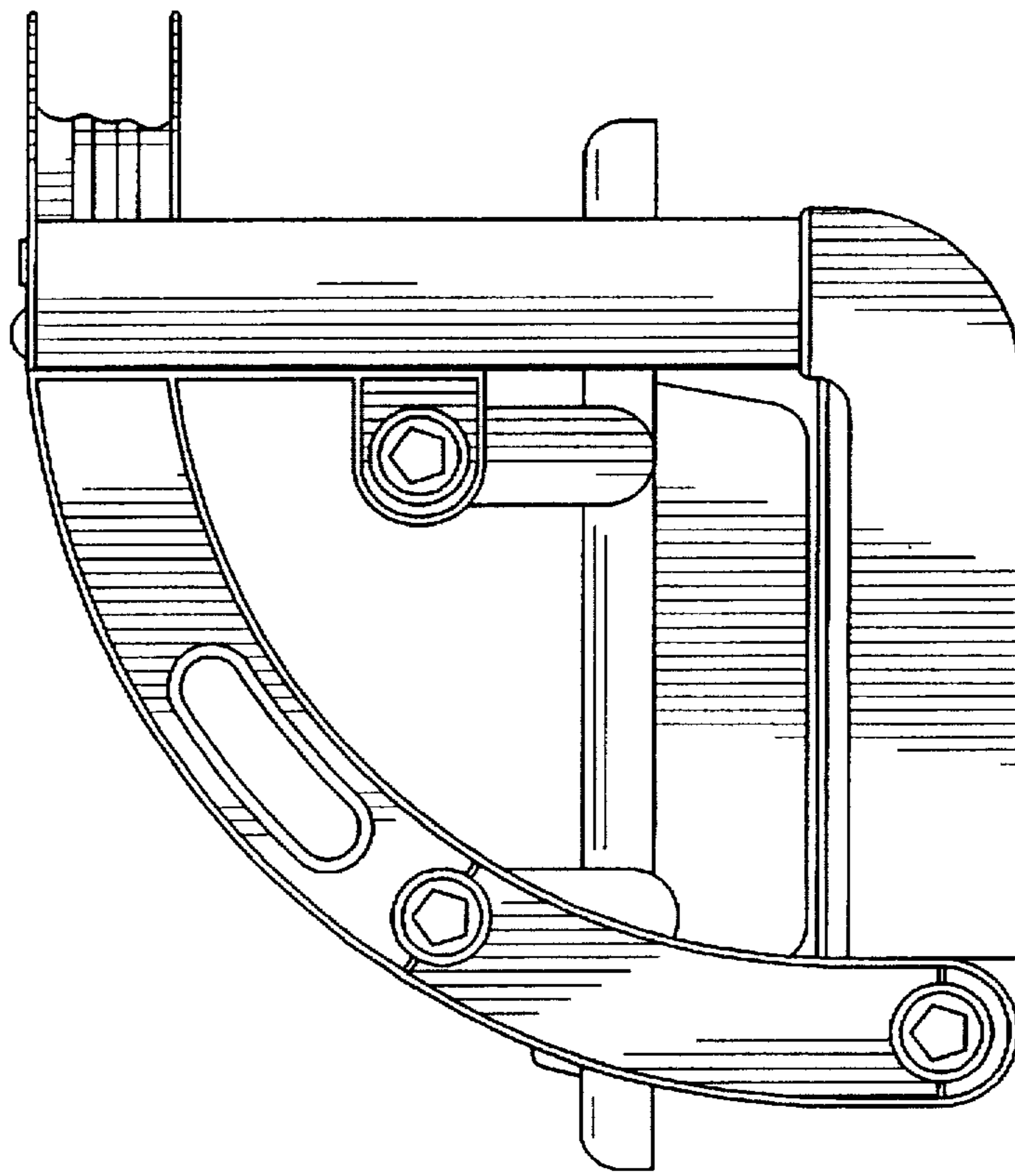


FIG. 5

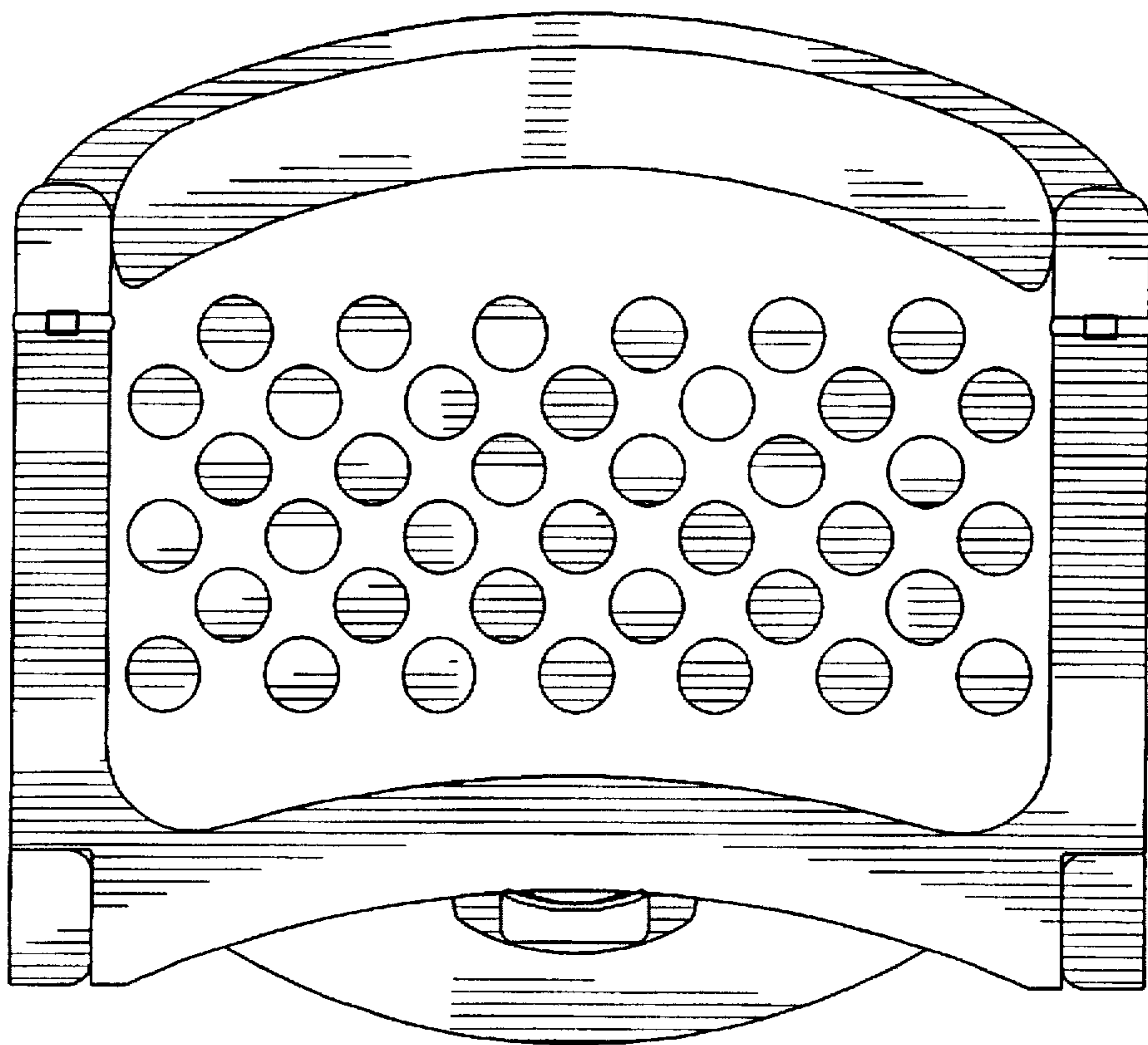


FIG. 6

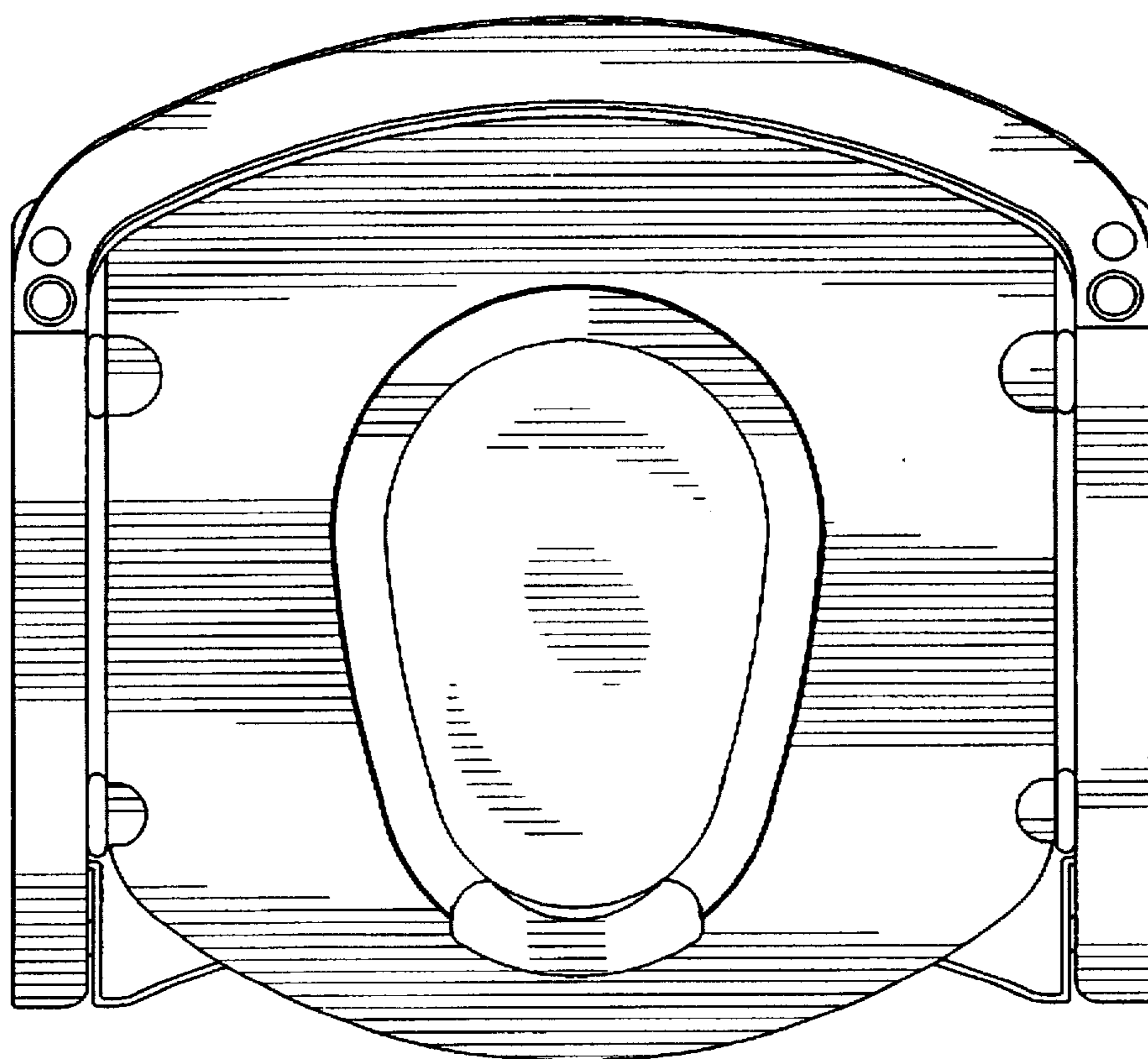


FIG. 7

