



US00D391350S

United States Patent [19]

Gottwald

[11] Patent Number: **Des. 391,350**

[45] Date of Patent: ****Feb. 24, 1998**

[54] **SHOWER HOLDER**

4,719,654 1/1988 Blessing 4/597
5,277,391 1/1994 Haug et al. 248/219.3

[76] Inventor: **Adolf Gottwald**, An der Egge 19,
D-58638 Iserlohn, Germany

[**] Term: **14 Years**

Primary Examiner—Louis S. Zarfes
Assistant Examiner—Wric Watterson
Attorney, Agent, or Firm—Herbert Dubno

[21] Appl. No.: **72,914**

[57] **CLAIM**

[22] Filed: **Jun. 16, 1997**

The ornamental design for a shower holder, as shown and described.

[30] **Foreign Application Priority Data**

DESCRIPTION

Jan. 29, 1997 [DE] Germany M9700838.9

[51] LOC (6) Cl. **23-02**

[52] U.S. Cl. **D23/249**

[58] Field of Search D23/213, 223,
D23/283; 4/567, 596, 579, 615, 617, 607,
612, 610, 584; 248/219.3, 218.4; D8/363

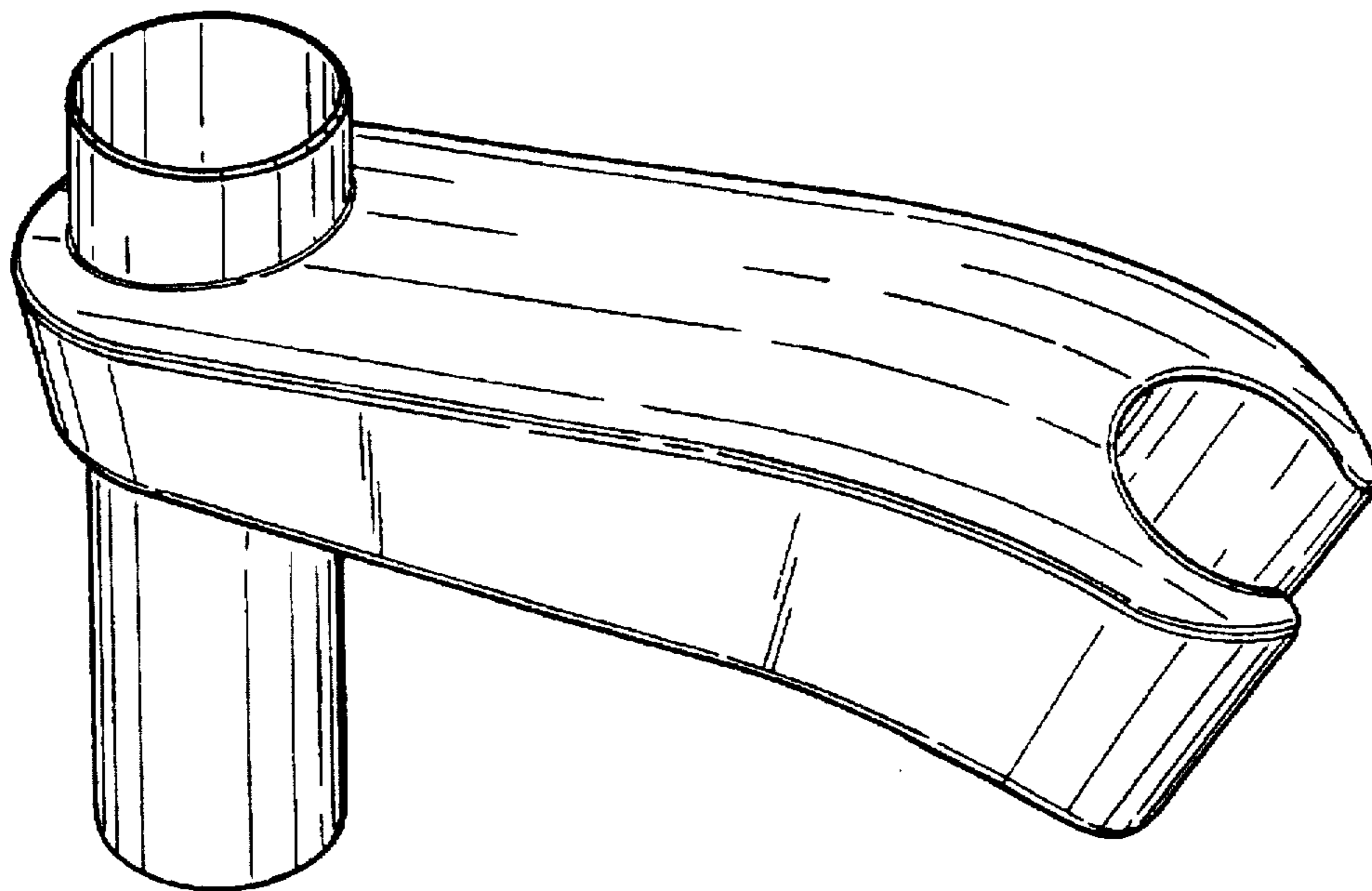
FIG. 1 is a top, front, left-side perspective view of a shower holder showing my new design;
FIG. 2 is a rear view thereof;
FIG. 3 is a front view thereof;
FIG. 4 is a top view thereof;
FIG. 5 is a left side elevational view thereof, the right side being mirror symmetrical thereto; and,
FIG. 6 is a bottom view thereof.

[56] **References Cited**

U.S. PATENT DOCUMENTS

2,598,092 5/1952 Alvey 4/615

1 Claim, 2 Drawing Sheets



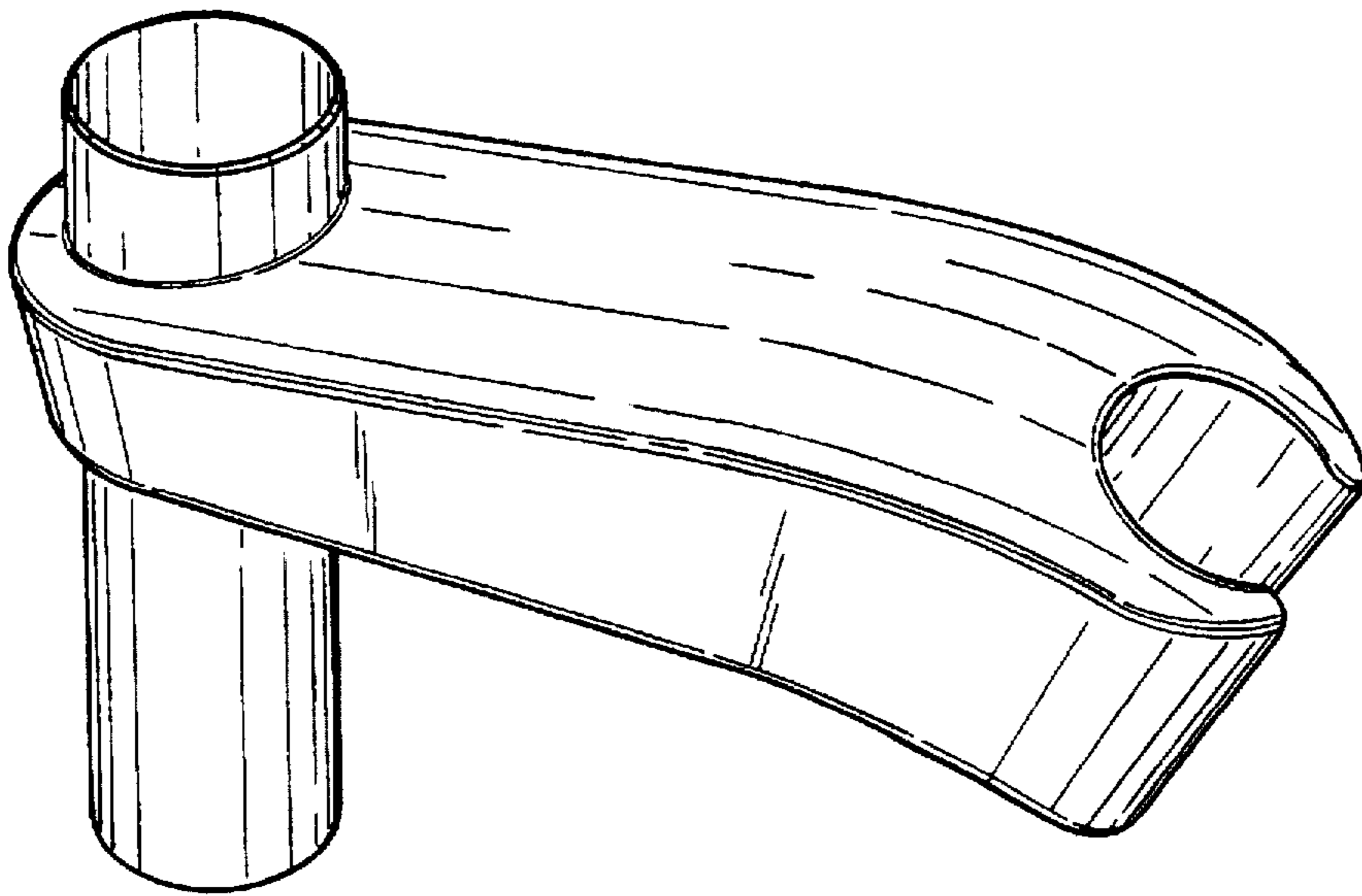


FIG. 1

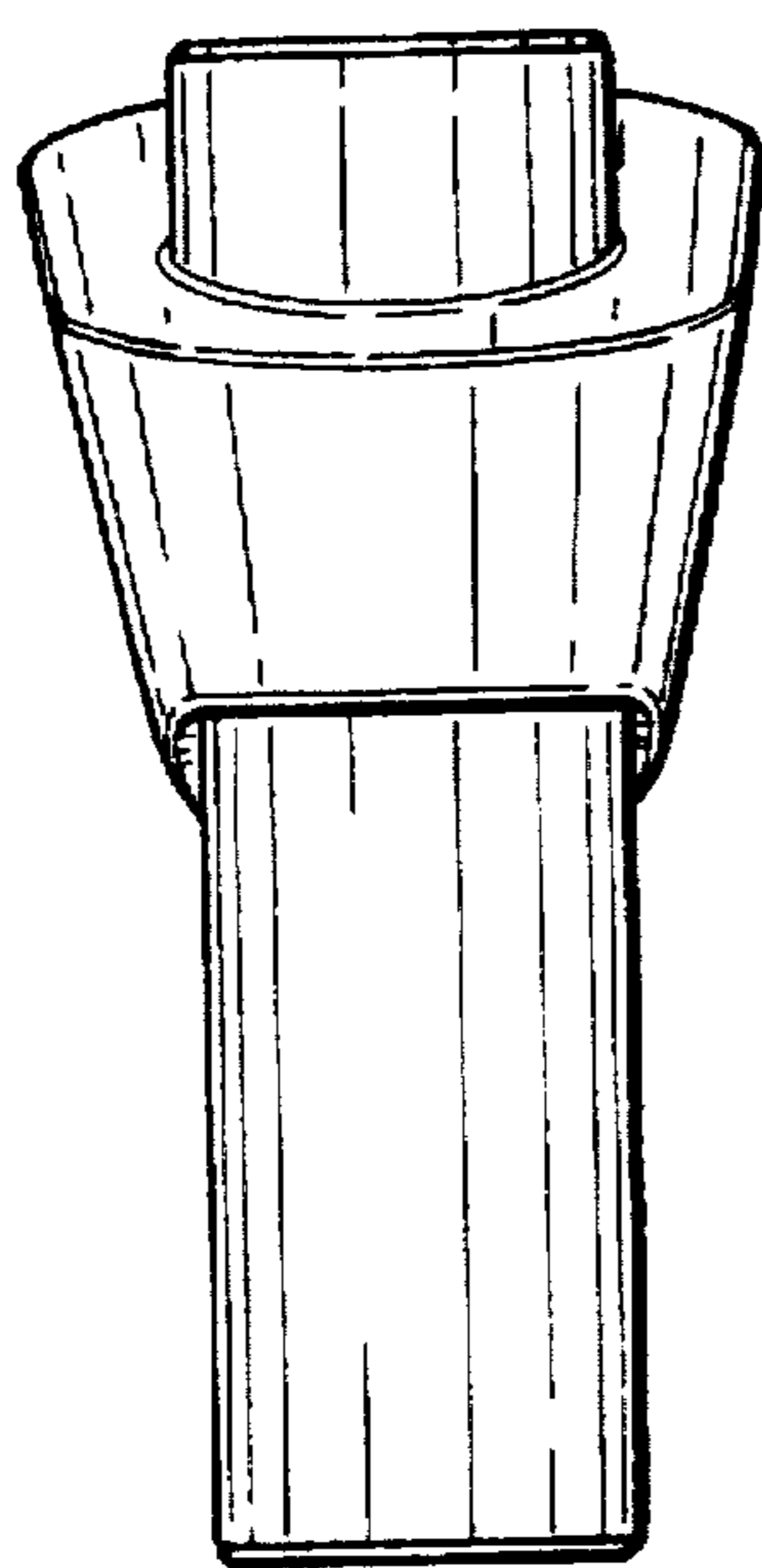


FIG. 2

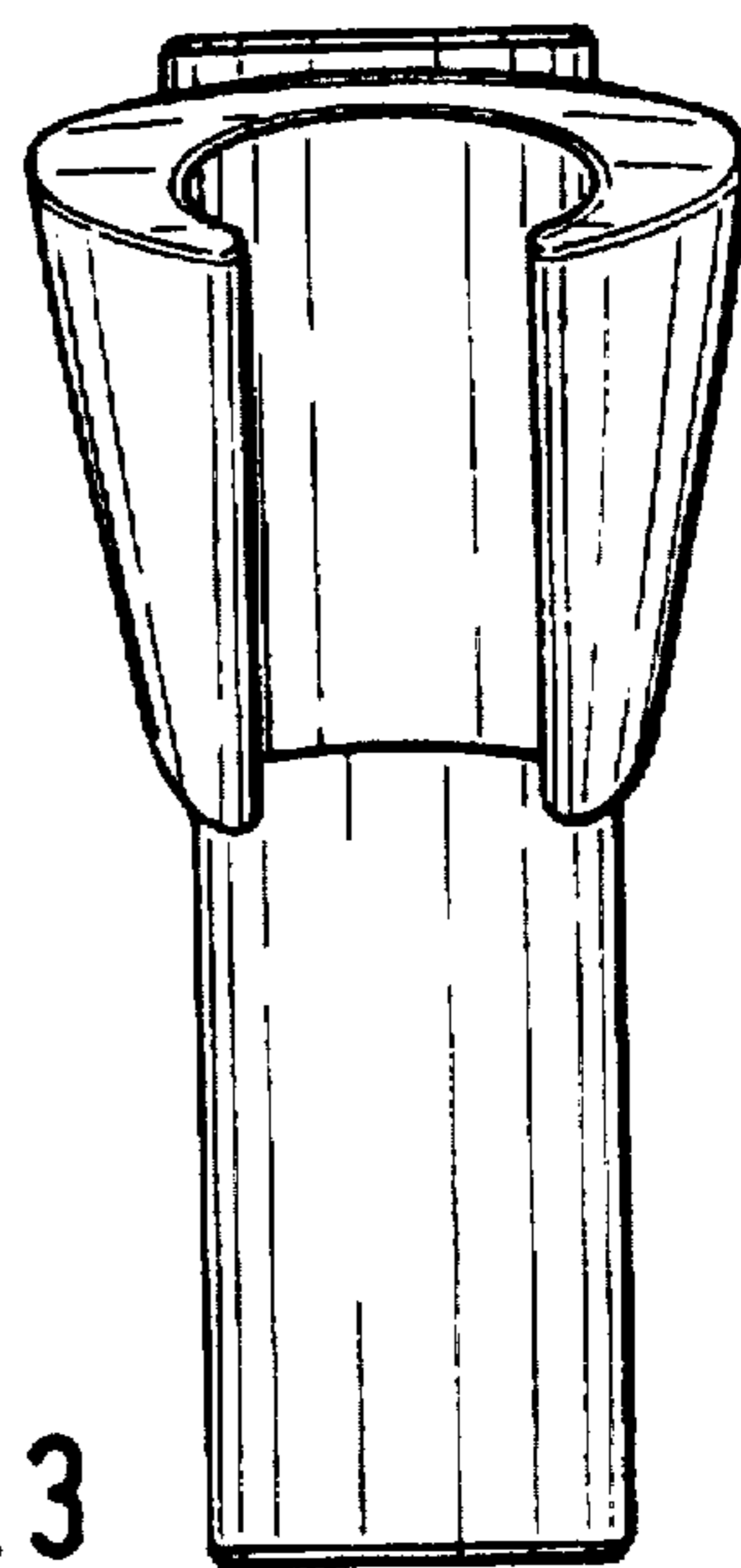


FIG. 3

FIG. 4

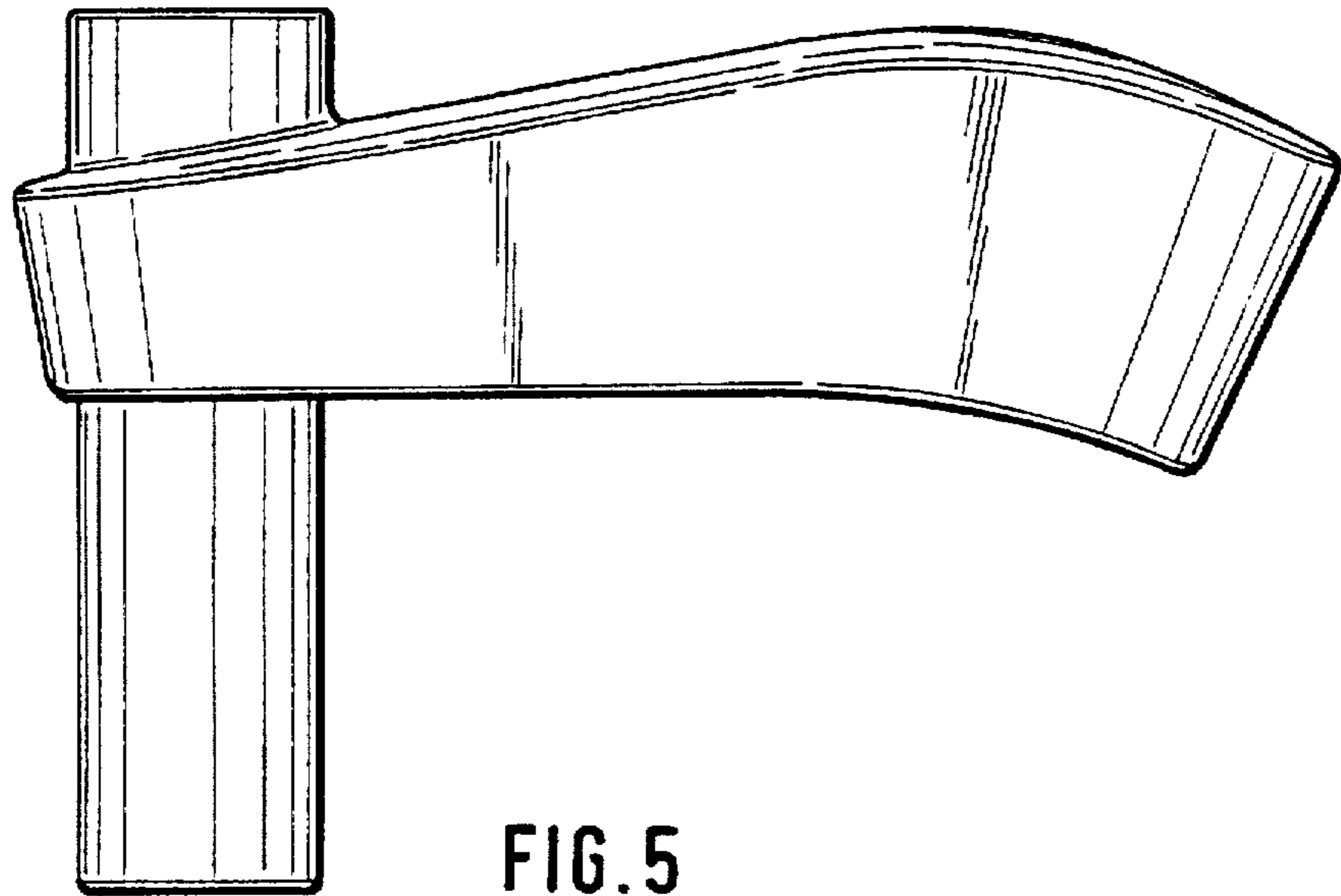
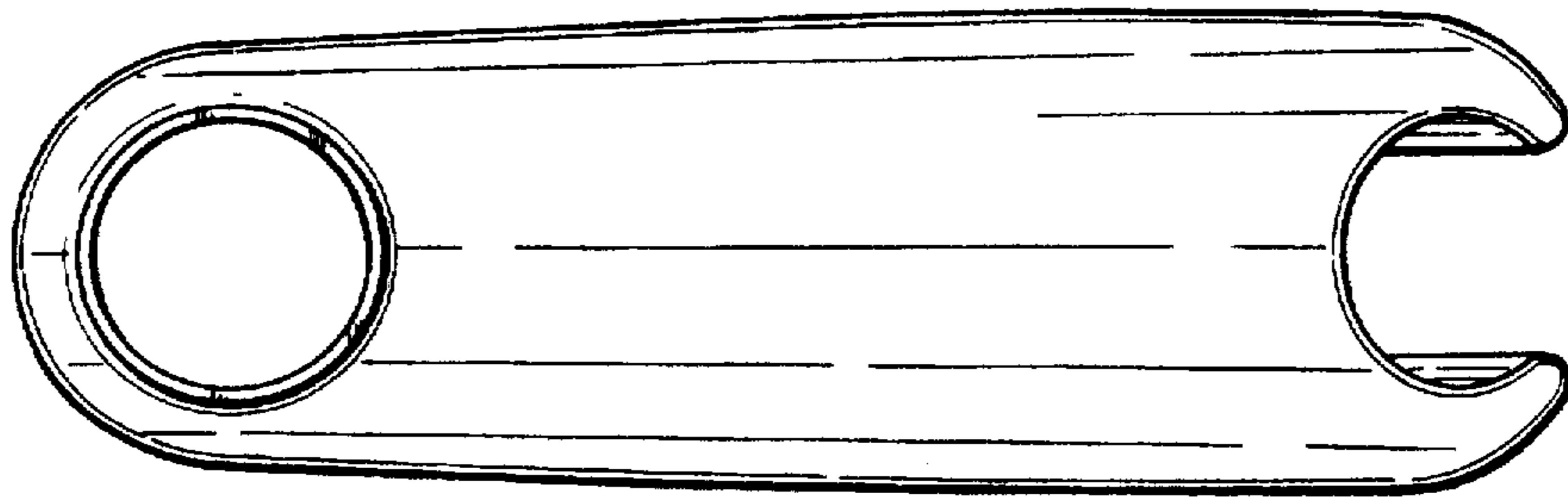


FIG. 5

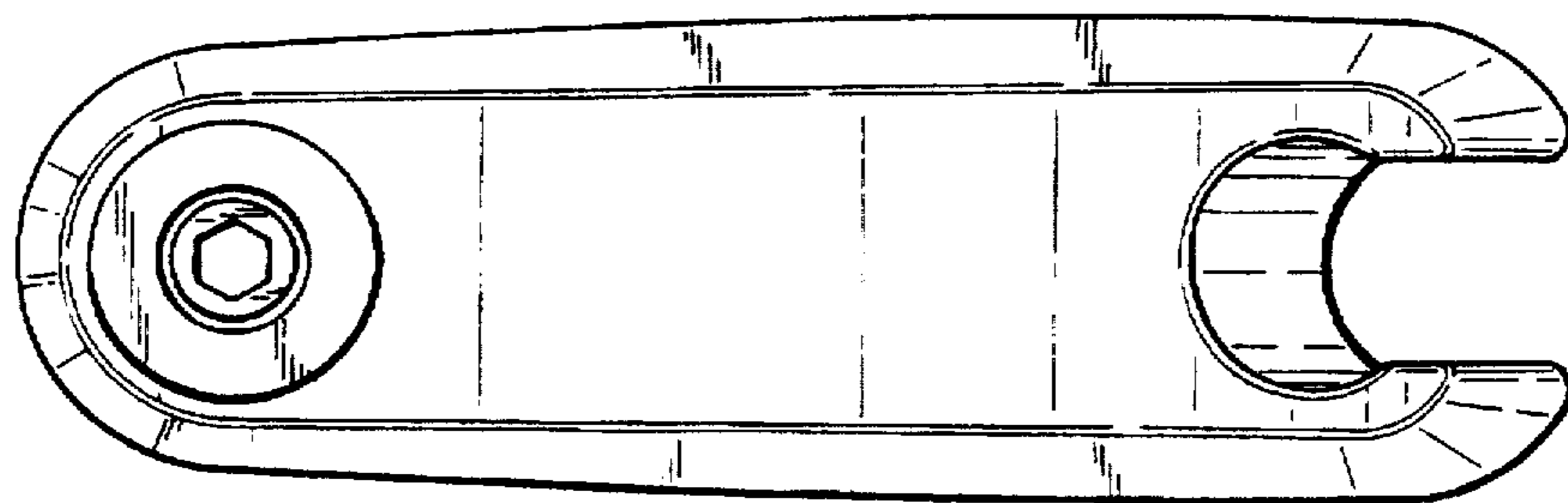


FIG. 6