



US00D391349S

United States Patent [19]
Chih

[11] **Patent Number: Des. 391,349**
[45] **Date of Patent: **Feb. 24, 1998**

[54] **HOSE NOZZLE**

[76] **Inventor: I-Shun Chih**, No. 5, Tyan Yang Lane,
Lu Kang Chen, Chang Hua County,
Taiwan

[**] **Term: 14 Years**

[21] **Appl. No.: 67,490**

[22] **Filed: Mar. 10, 1997**

[51] **LOC (6) Cl. 23-01**

[52] **U.S. Cl. D23/229**

[58] **Field of Search D23/213-215,**
D23/223-229; 239/394, 459, 460, 461,
589, 209, 230-233

[56] **References Cited**

U.S. PATENT DOCUMENTS

| | | | | |
|------------|---------|---------|-------|---------|
| D. 106,681 | 10/1937 | Barrett | | D23/229 |
| 2,783,094 | 2/1957 | Storie | | D23/223 |
| 4,971,256 | 11/1990 | Malcolm | | 239/230 |

OTHER PUBLICATIONS

Rain Bird Lawn and Garden catalog, #PN-61-C Economy nozzle, p. 17, 1995.

Primary Examiner—Alan P. Douglas
Assistant Examiner—Robin V. Taylor
Attorney, Agent, or Firm—Beveridge, DeGrandi, Weilacher & Young LLP

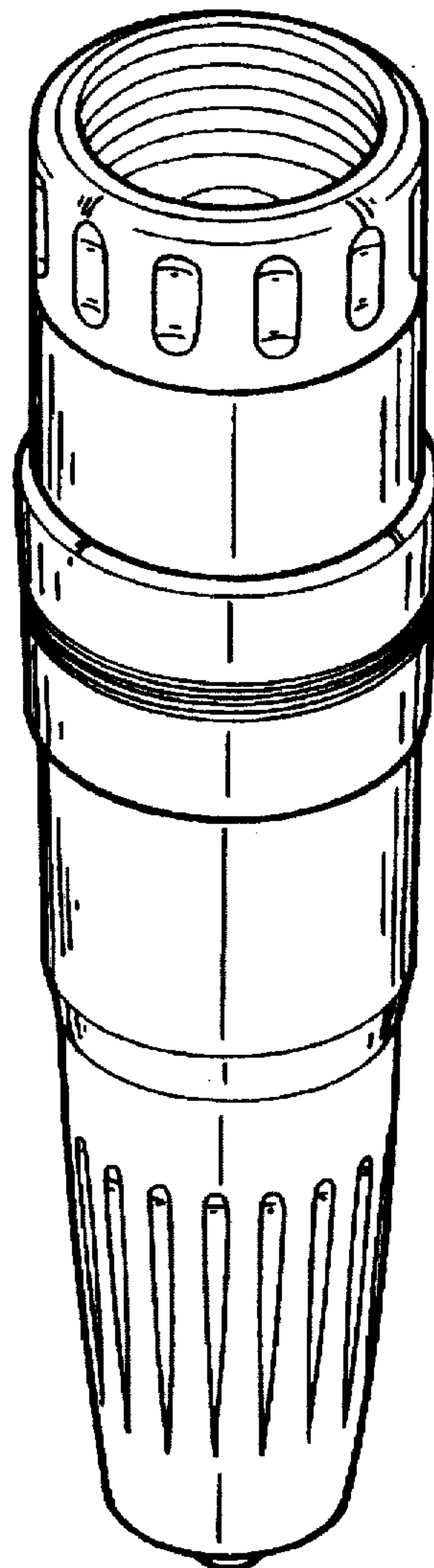
[57] **CLAIM**

The ornamental design for a hose nozzle, as shown.

DESCRIPTION

FIG. 1 is a front view of a hose nozzle showing my new design;
FIG. 2 is a rear view thereof;
FIG. 3 is a left side view thereof;
FIG. 4 is a right side view thereof;
FIG. 5 is a top plan view thereof;
FIG. 6 is a bottom plan view thereof; and,
FIG. 7 is a perspective view thereof.

1 Claim, 2 Drawing Sheets



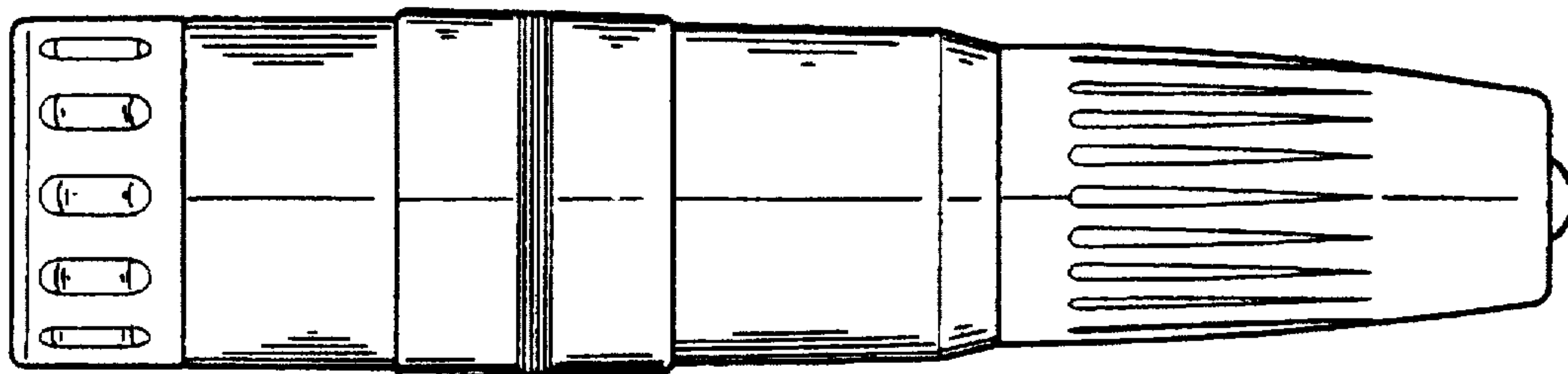


FIG 4

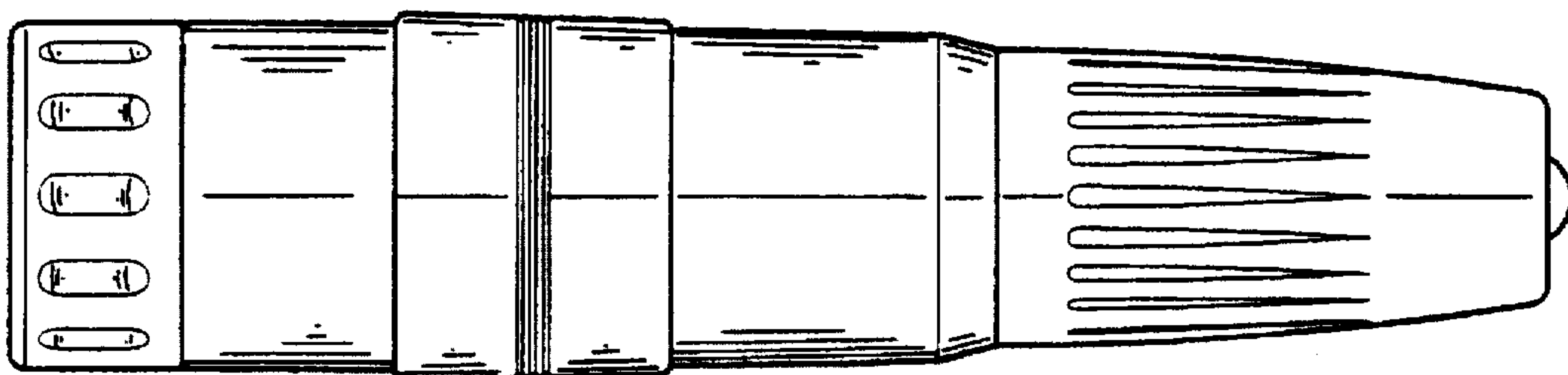


FIG 1

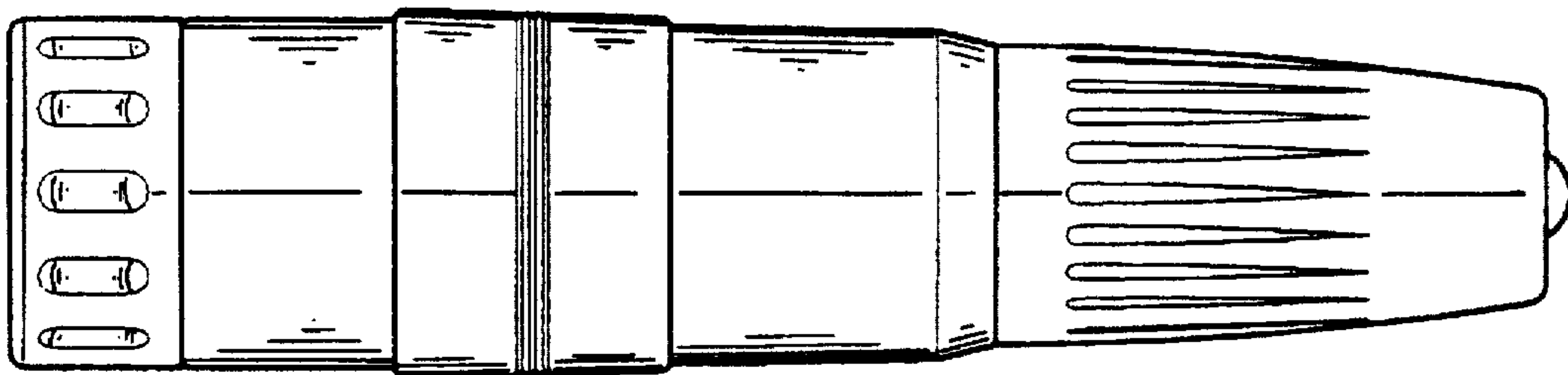


FIG 3

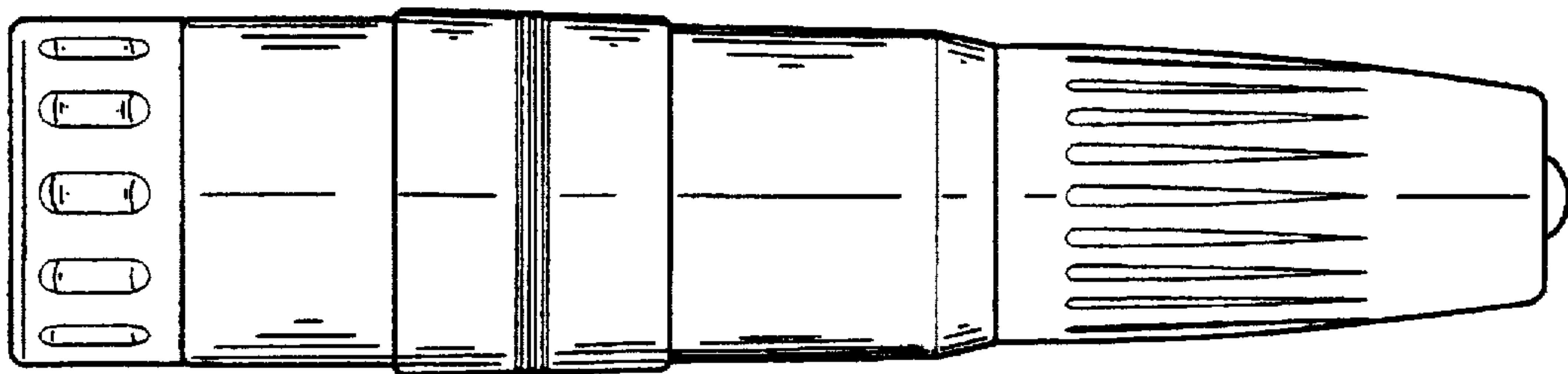


FIG 2

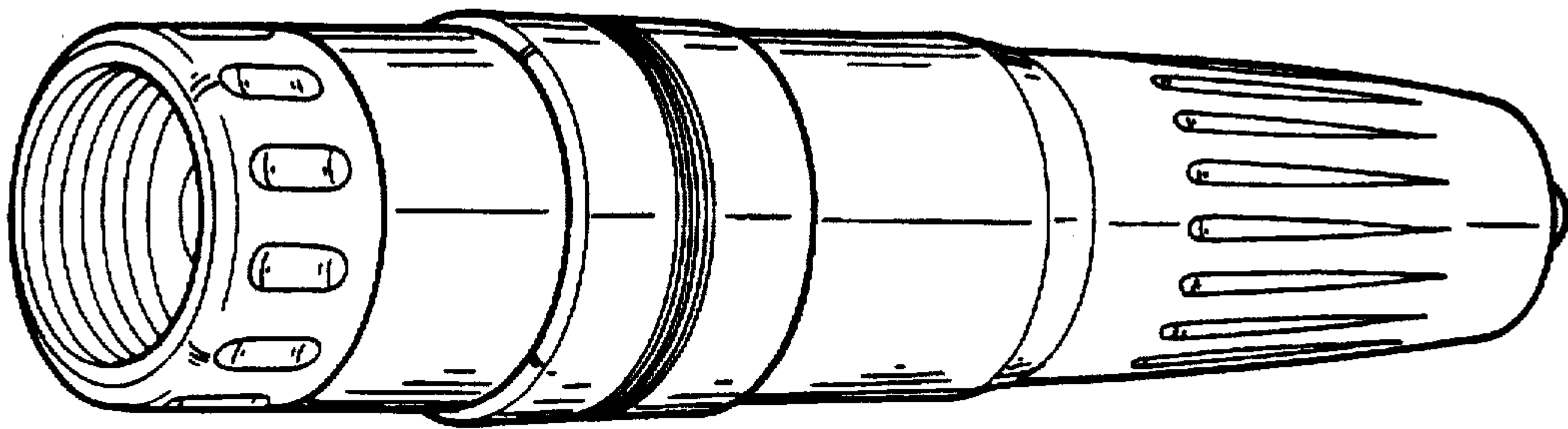


FIG 7

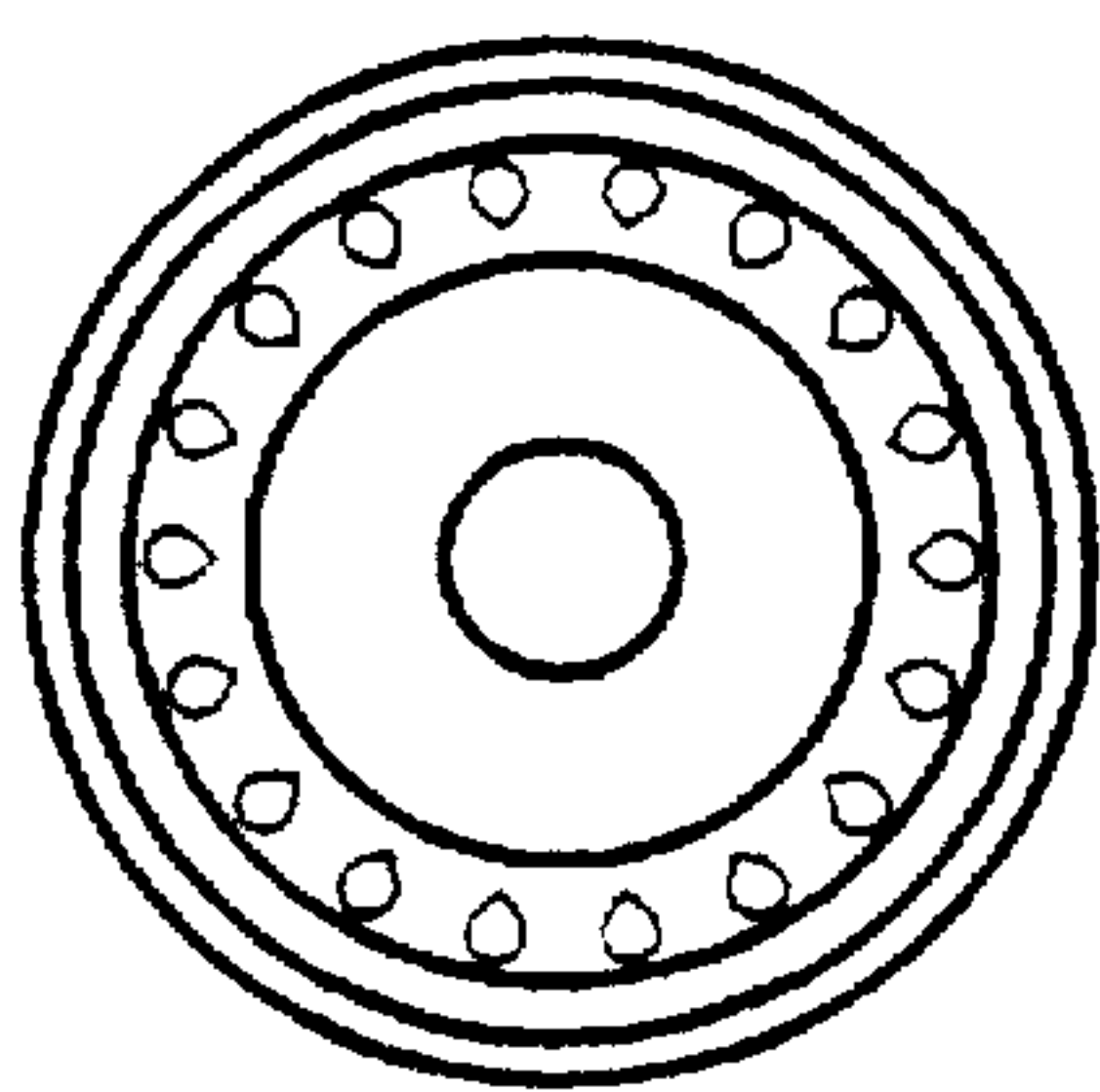


FIG 5

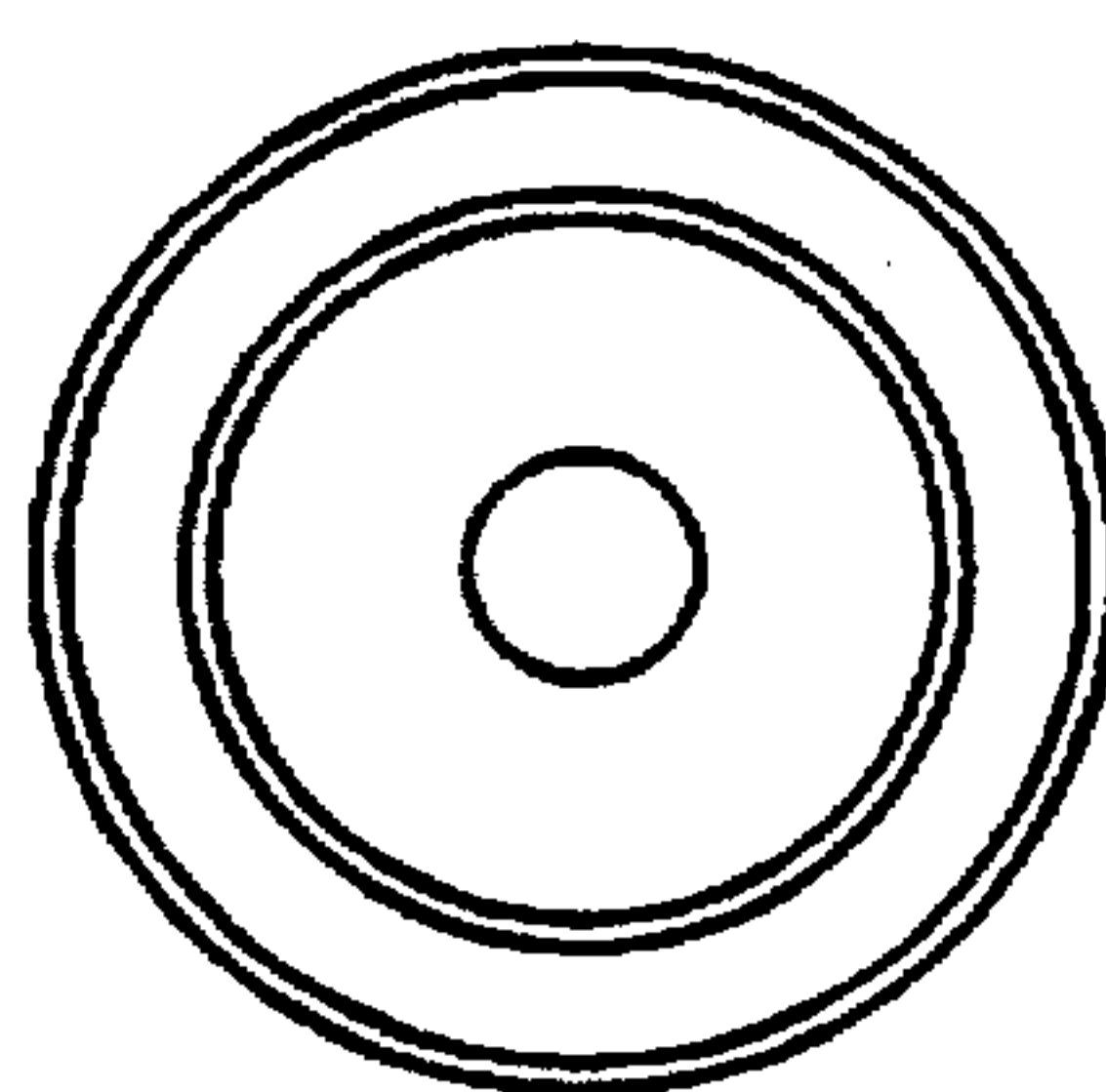


FIG 6