



US00D391347S

# United States Patent [19]

Chiu et al.

[11] Patent Number: **Des. 391,347**

[45] Date of Patent: **\*\*Feb. 24, 1998**

## [54] REFLECTOR FOR A PORTABLE HEATER

[75] Inventors: **Bernard Chiu**, Wellesley; **Rodney B. Jané**, Westboro, both of Mass.; **Robert L. Marvin, Jr.**, Farmington; **John Staton**, Bristol, both of Conn.

[73] Assignee: **Duracraft Corp.**, Southborough, Mass.

[\*\*] Term: **14 Years**

[21] Appl. No.: **42,493**

[22] Filed: **Aug. 11, 1995**

[51] LOC (6) Cl. .... **23-03**

[52] U.S. Cl. .... **D23/386; D23/335**

[58] Field of Search ..... **D23/332, 335-337, D23/386; 392/367, 373, 376, 426-429; 126/92 B; D12/187, 189**

### [56] References Cited

#### U.S. PATENT DOCUMENTS

51,253	9/1865	Brown	.....	D23/336
D. 340,219	10/1993	Moon	.....	D12/187
1,332,052	2/1920	Martin	.....	392/376

## FOREIGN PATENT DOCUMENTS

598708 2/1948 United Kingdom ..... 392/367

*Primary Examiner*—Lisa Lichtenstein  
*Attorney, Agent, or Firm*—John E. Toupal

## [57] CLAIM

The ornamental design for a reflector for a portable heater, as shown and described.

## DESCRIPTION

FIG. 1 is a front perspective view of a reflector for a portable heater;

FIG. 2 is a rear elevational view thereof;

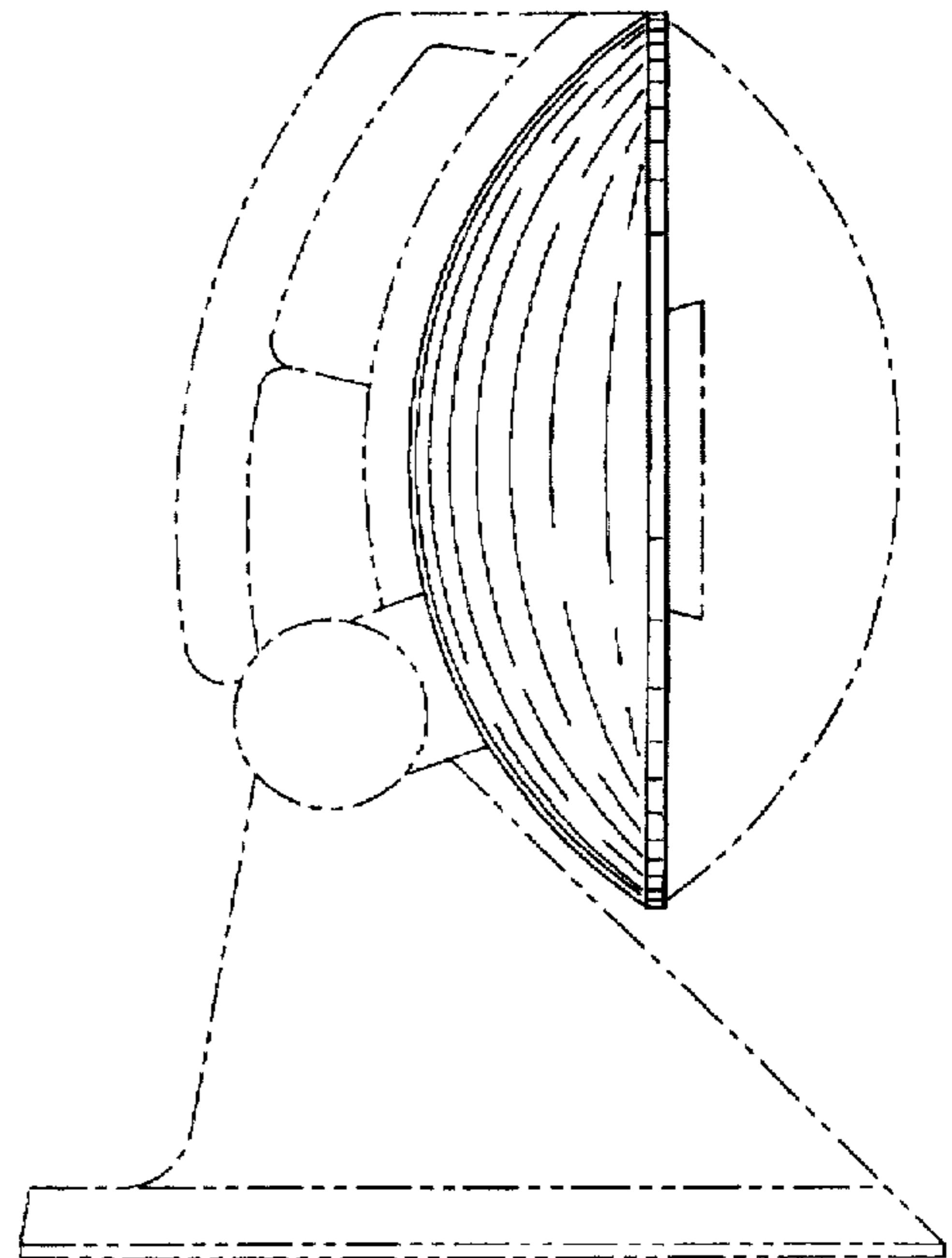
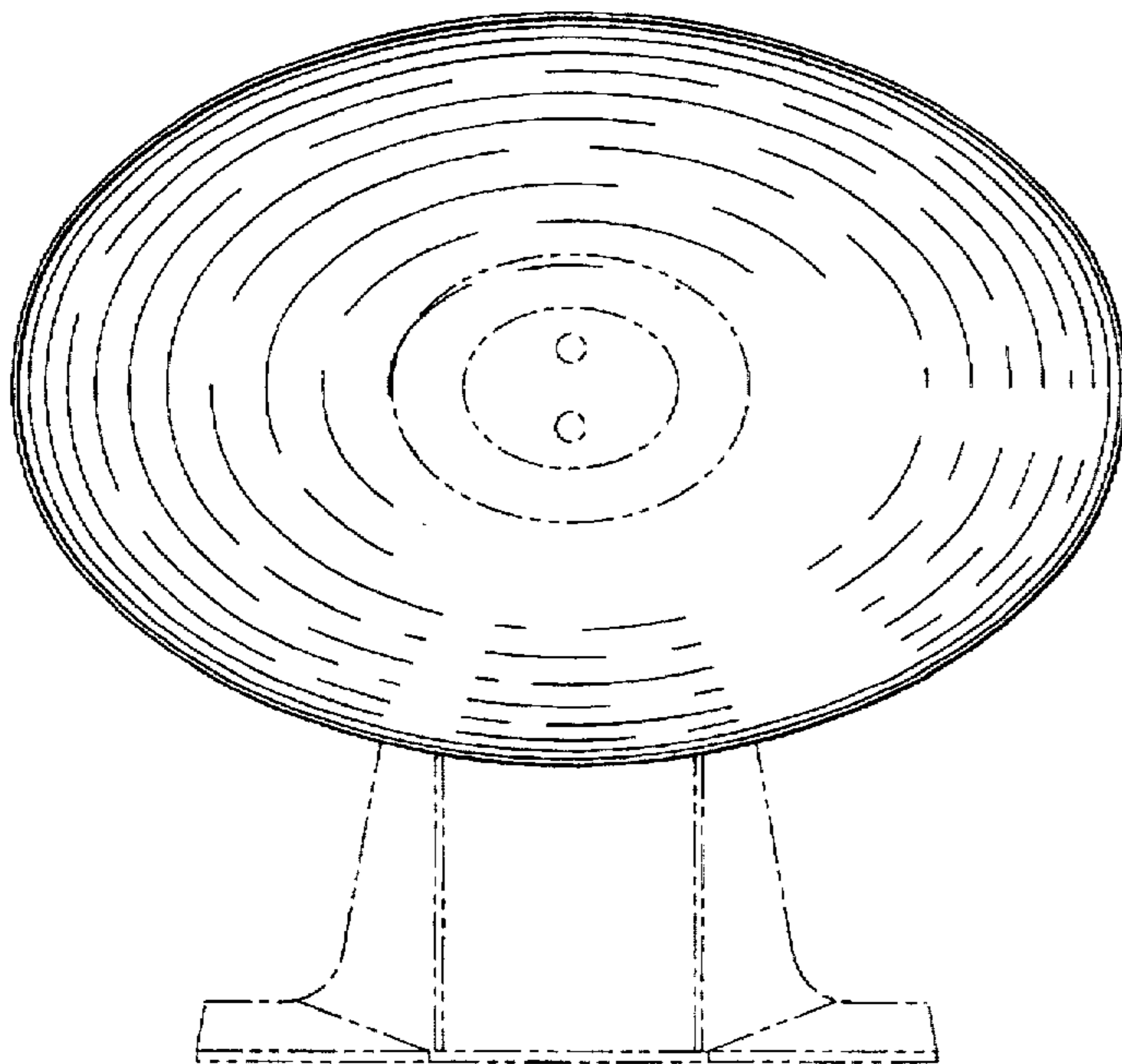
FIG. 3 is a right side elevational view thereof, the left side being a mirror image of that shown;

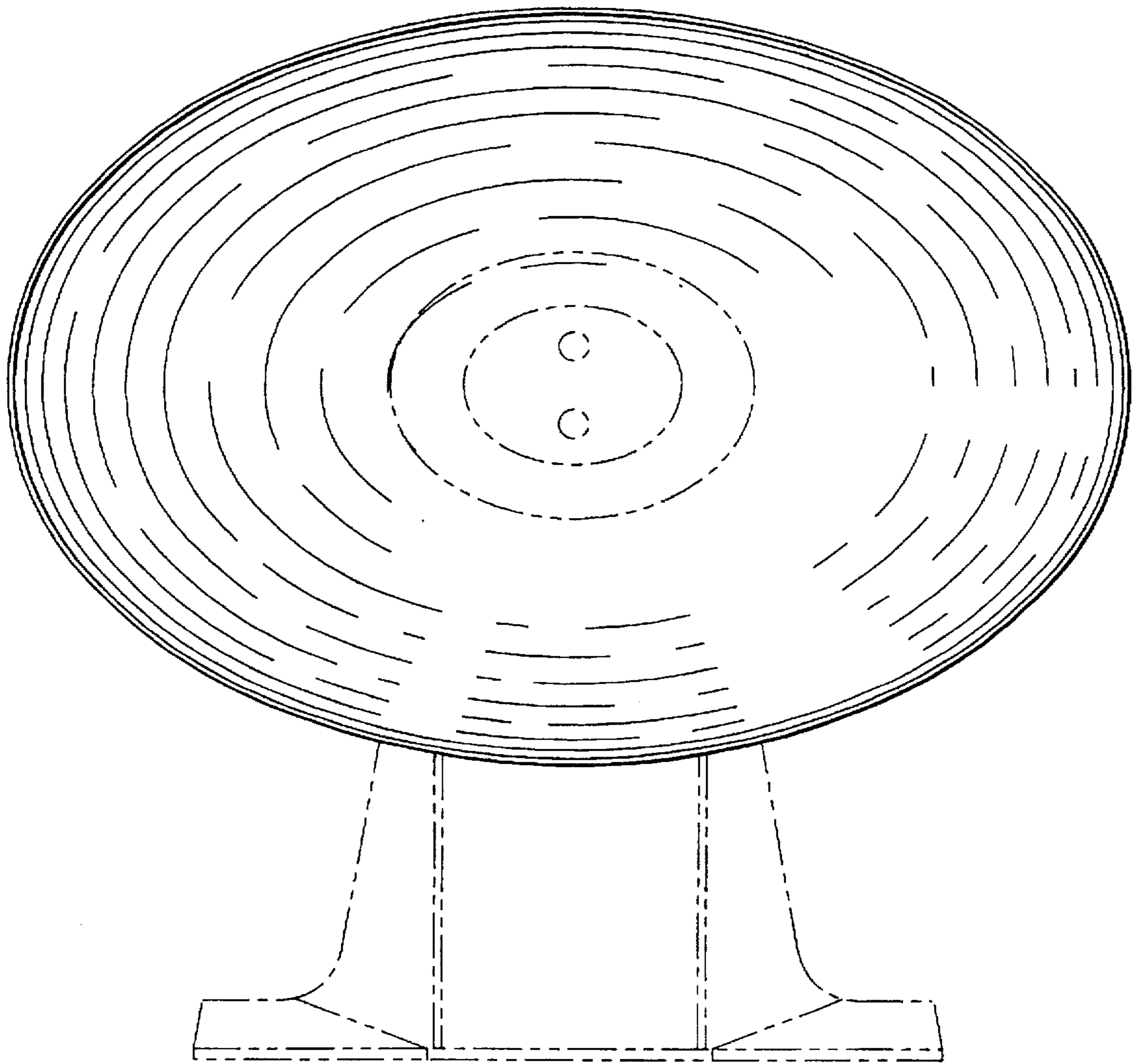
FIG. 4 is a top plan view thereof; and,

FIG. 5 is a bottom plan view thereof.

The broken line showing of environmental structure in FIGS. 1-5 is for illustrative purposes only and forms no part of the claimed design.

**1 Claim, 4 Drawing Sheets**





**FIG. 1**

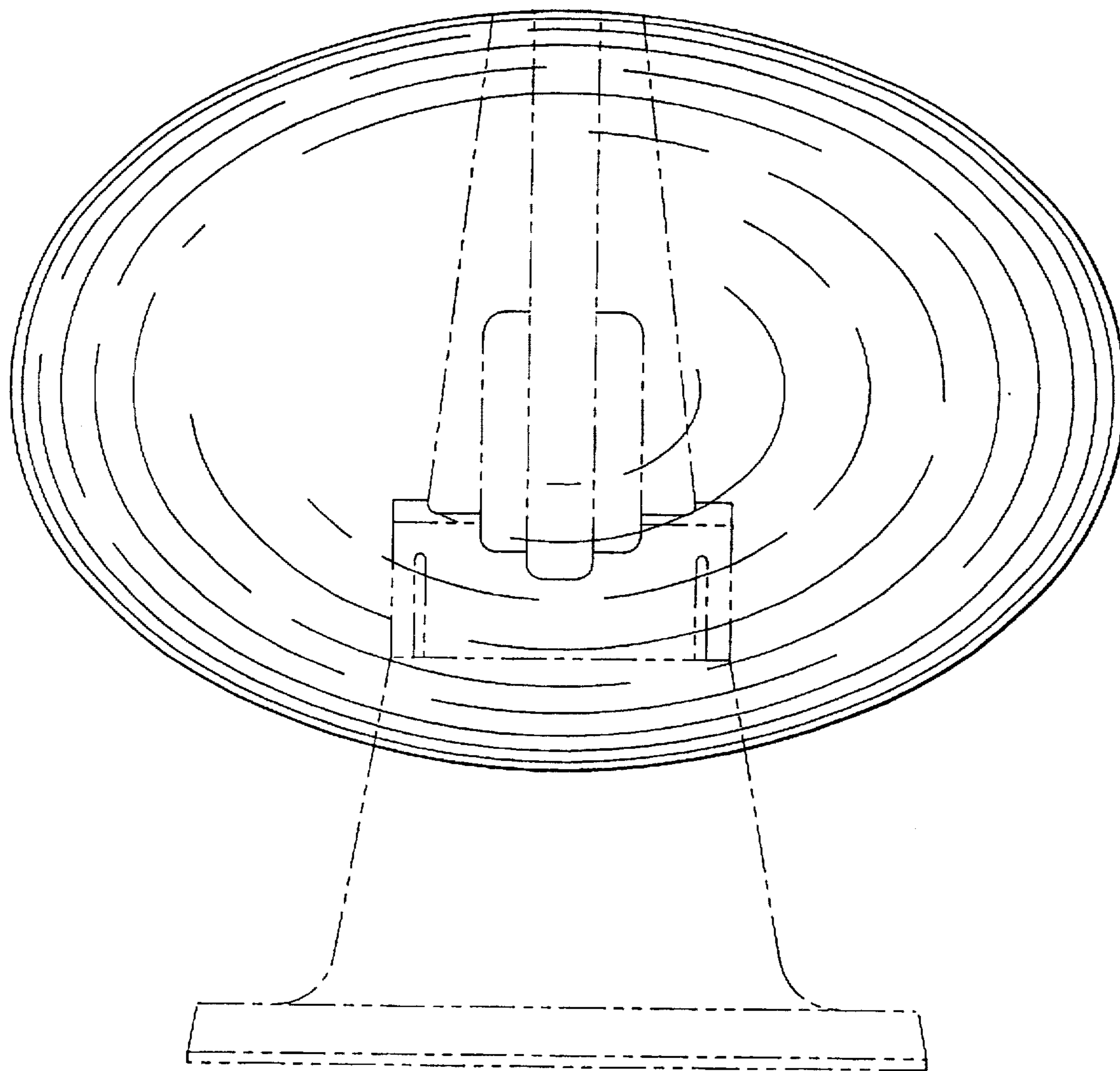
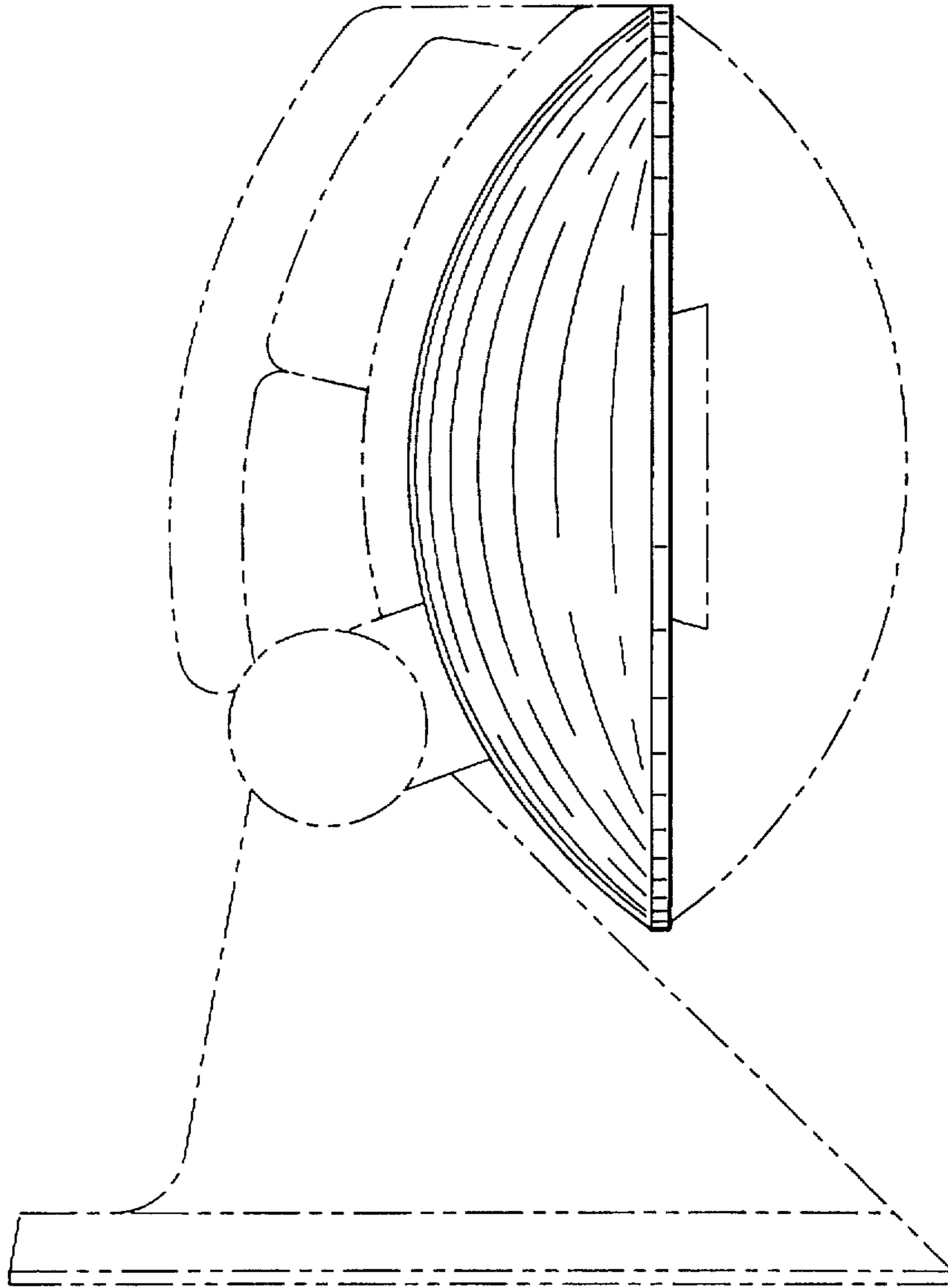
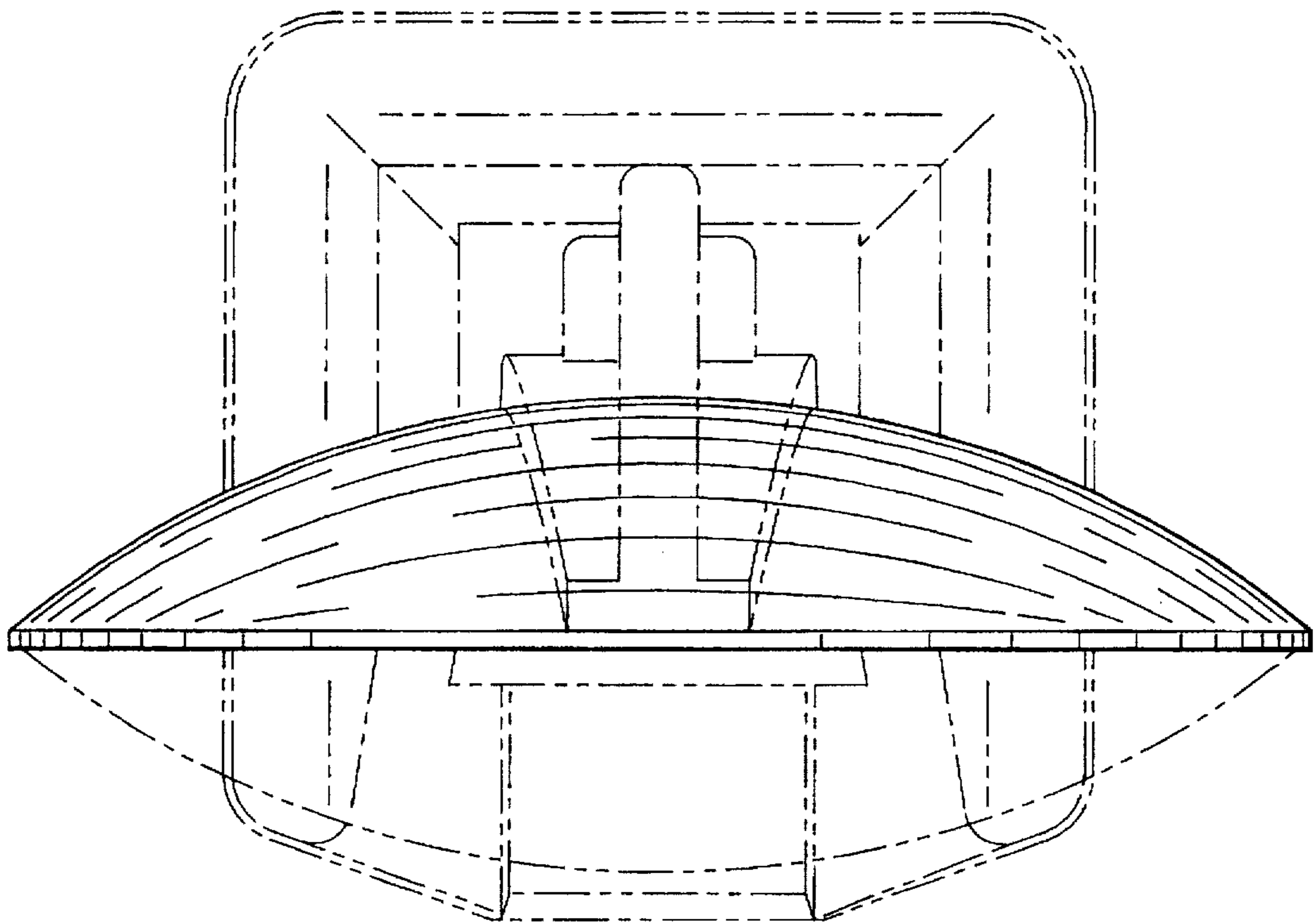


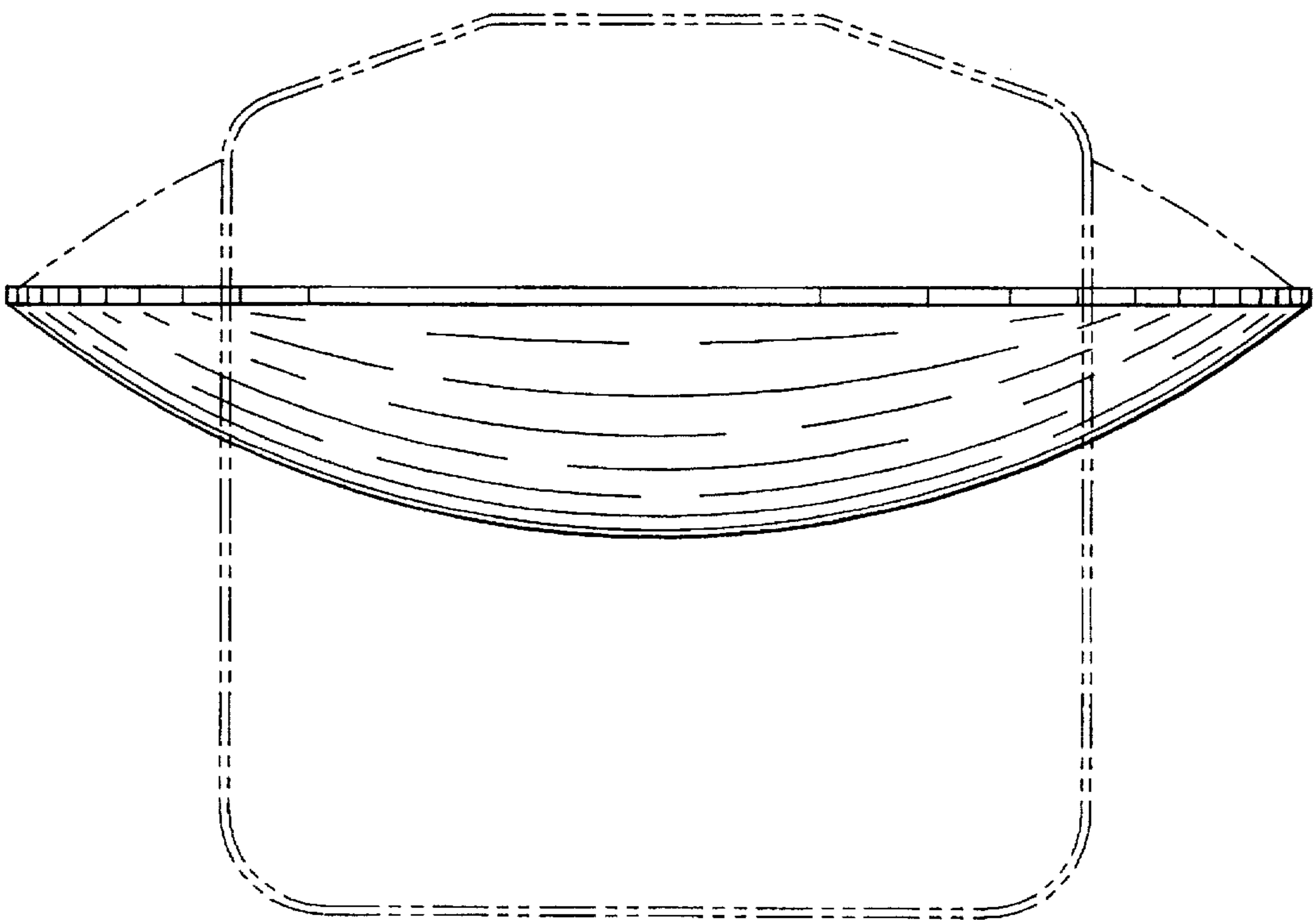
FIG. 2



**FIG. 3**



**FIG. 4**



**FIG. 5**