



US00D391346S

United States Patent [19]

Litvin

[11] Patent Number: **Des. 391,346**

[45] Date of Patent: ****Feb. 24, 1998**

[54] OSCILLATING TABLE TOP FAN

[76] Inventor: **Charles Litvin**, 1065 Stable La., West Chester, Pa. 19382

[**] Term: **14 Years**

[21] Appl. No.: **73,707**

[22] Filed: **Jul. 16, 1997**

[51] LOC (6) Cl. **23-04**

[52] U.S. Cl. **D23/382; D23/381**

[58] Field of Search **D23/381, 382, D23/378, 411; 416/246 R, 247 R; 248/676; 392/365-369**

[56] References Cited

U.S. PATENT DOCUMENTS

D. 319,099 8/1991 Cheslock et al. **D23/382**

OTHER PUBLICATIONS

Hong Kong Enterprise, p. 336, Fan (A), bottom middle side of page, Sep. 11, 1997.

Primary Examiner—Lisa Lichtenstein
Attorney, Agent, or Firm—Zachary T. Wobensmith, III

[57] CLAIM

The ornamental design for an oscillating table top fan, as shown and described.

DESCRIPTION

FIG. 1 is a front elevational view of an oscillating table top fan showing my new design;

FIG. 2 is a right side elevational view thereof;

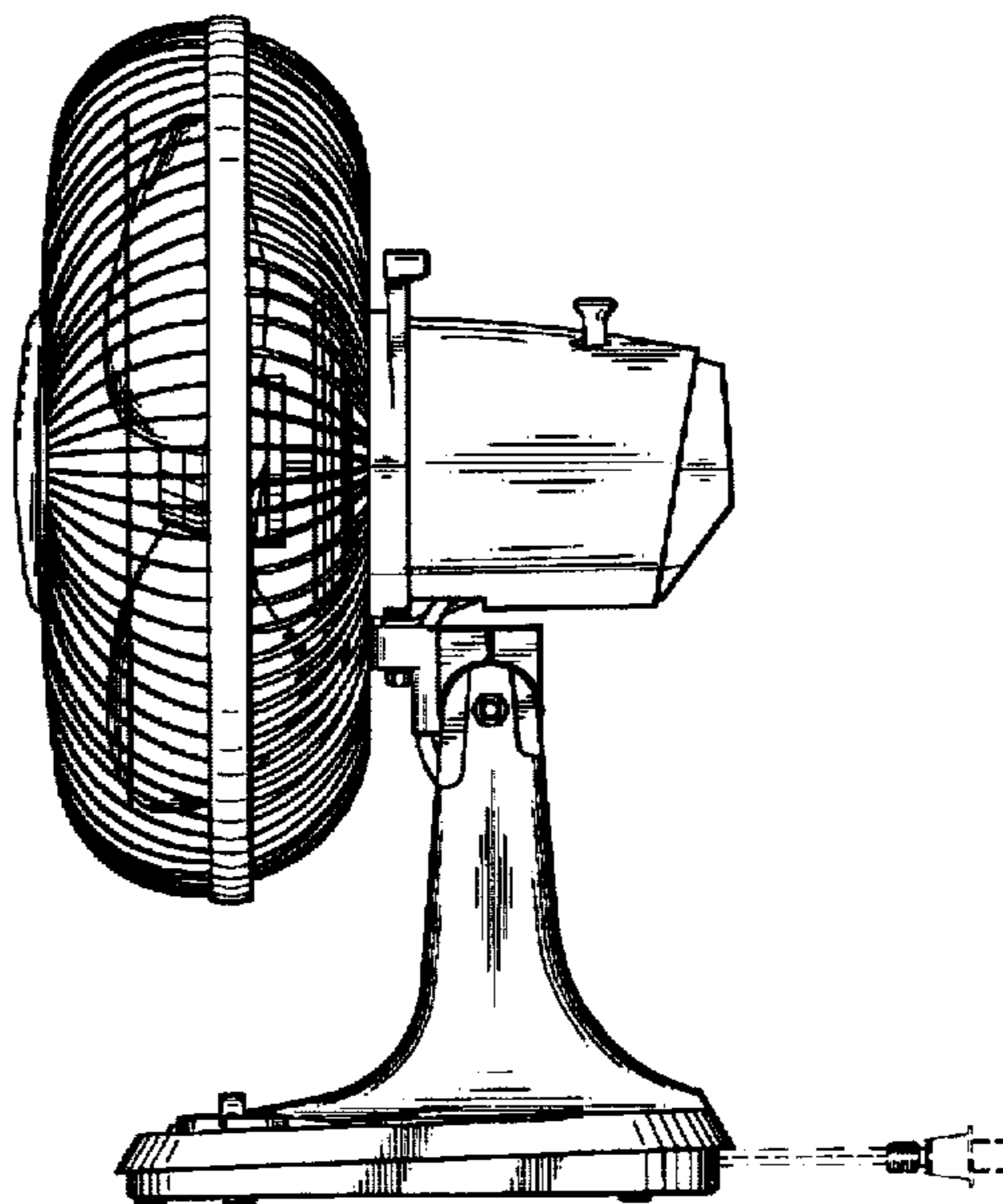
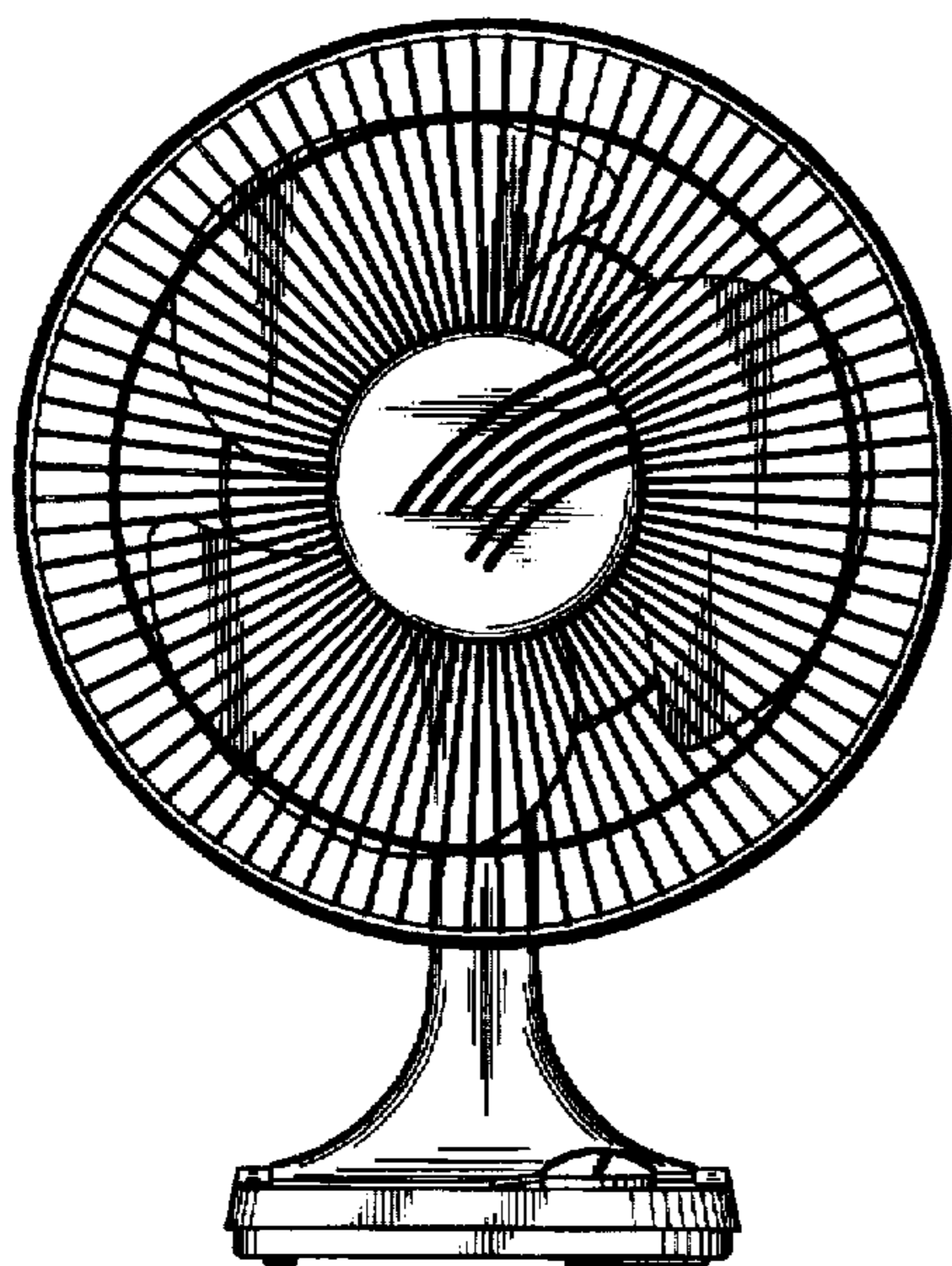
FIG. 3 is a left side elevational view thereof;

FIG. 4 is a rear elevational view thereof; and,

FIG. 5 is a top plan view thereof.

The bottom of the design is substantially flat and unornamented.

1 Claim, 5 Drawing Sheets



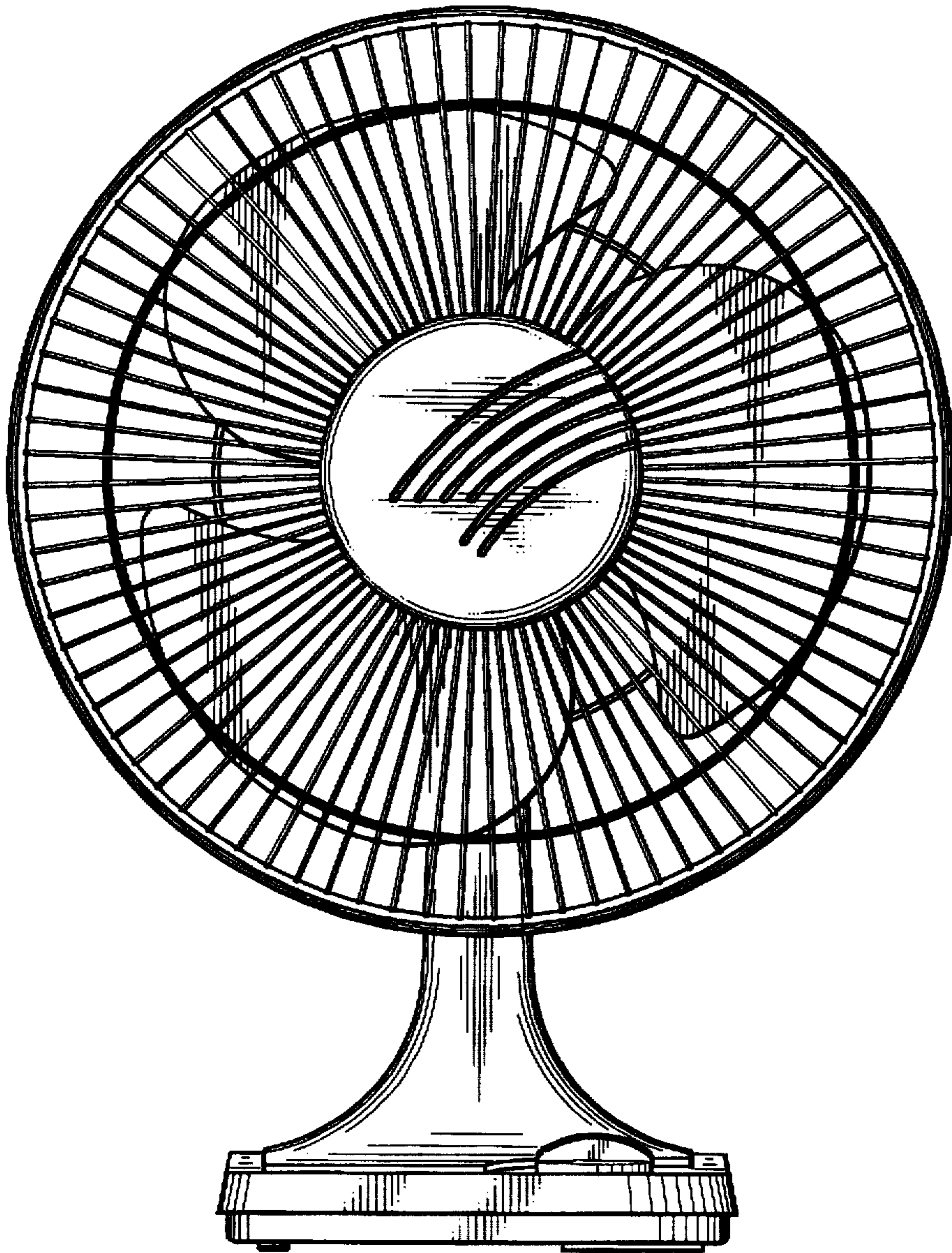


Fig. 1

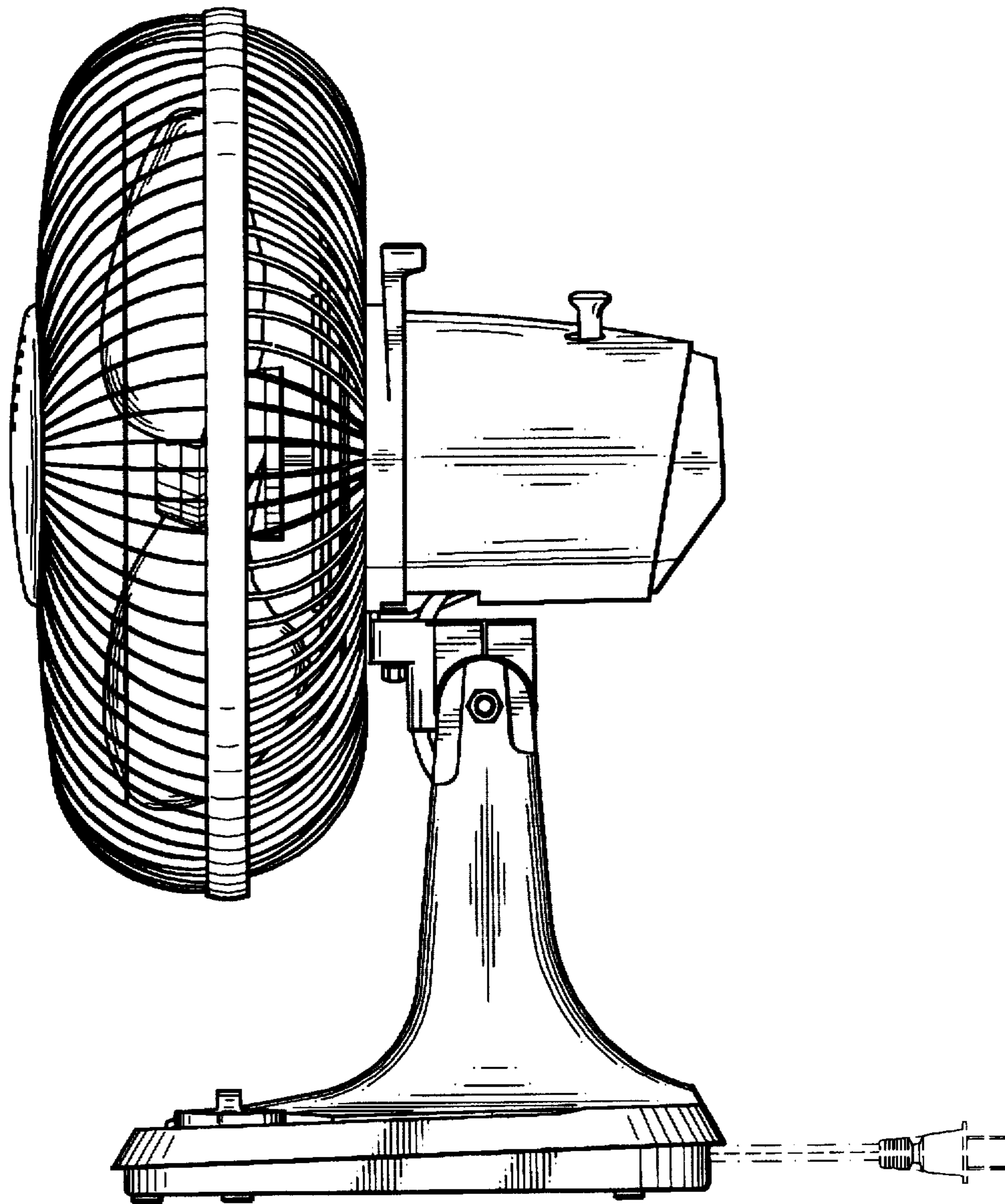


Fig. 2

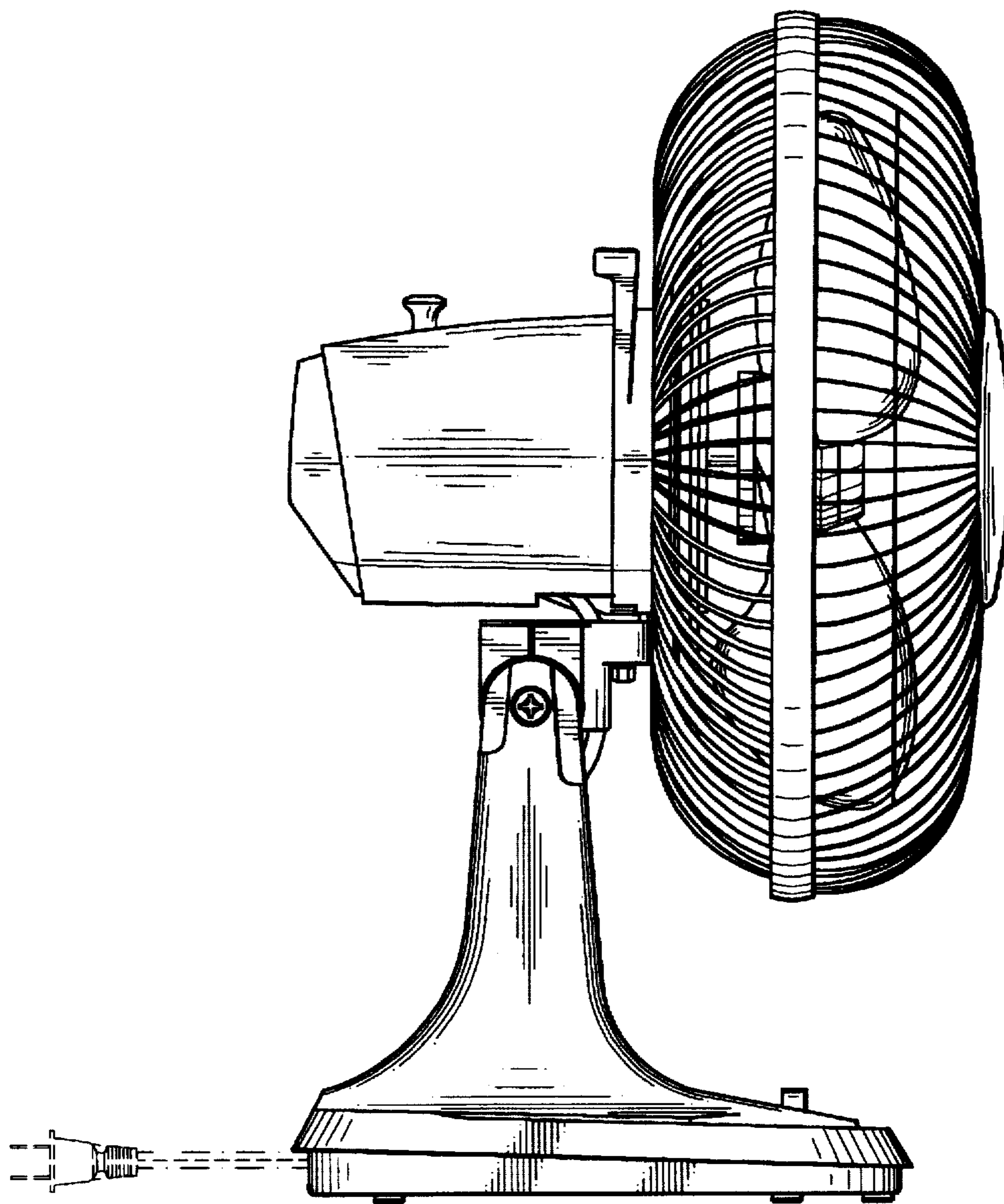


Fig. 3

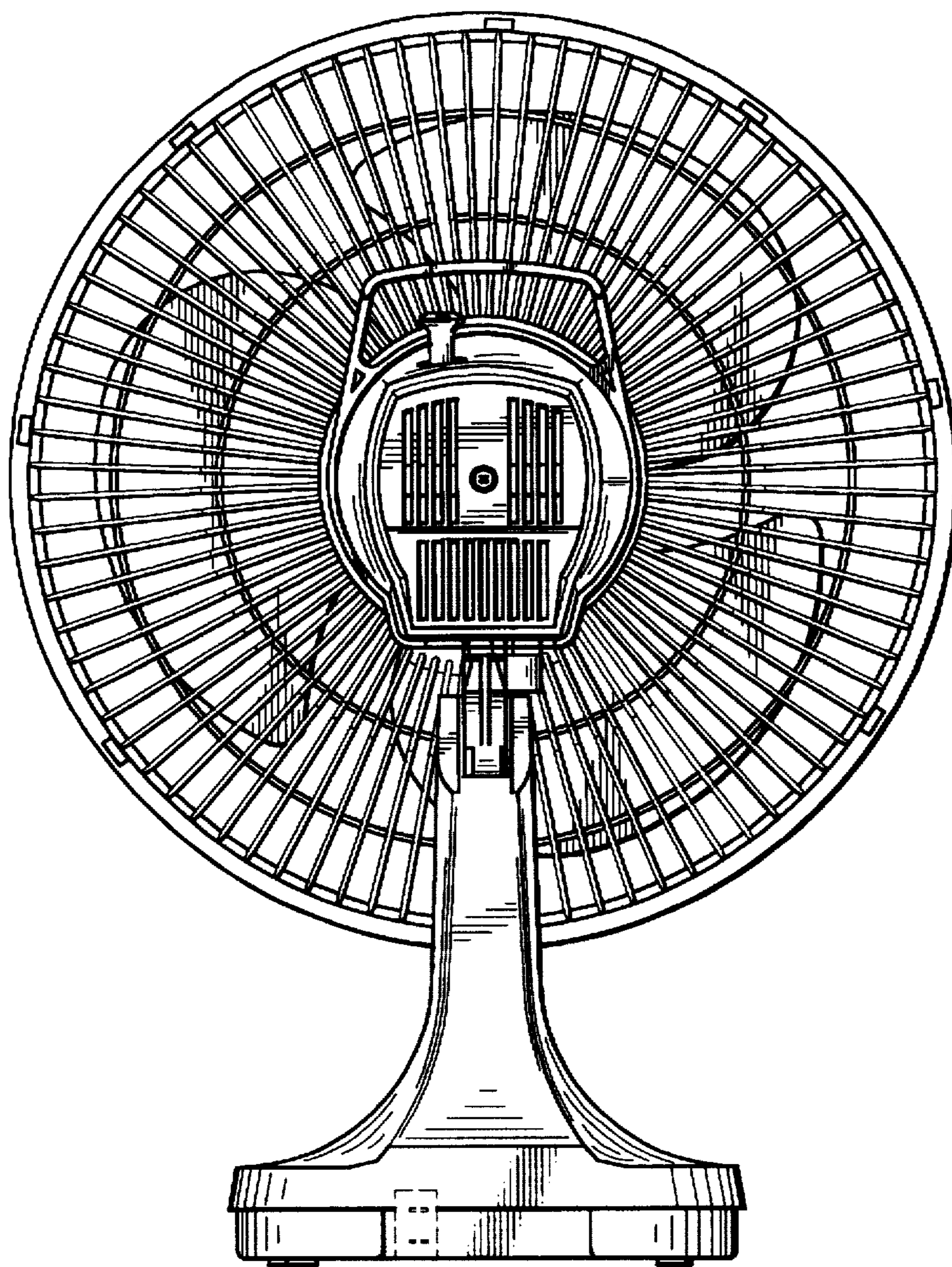


Fig. 4

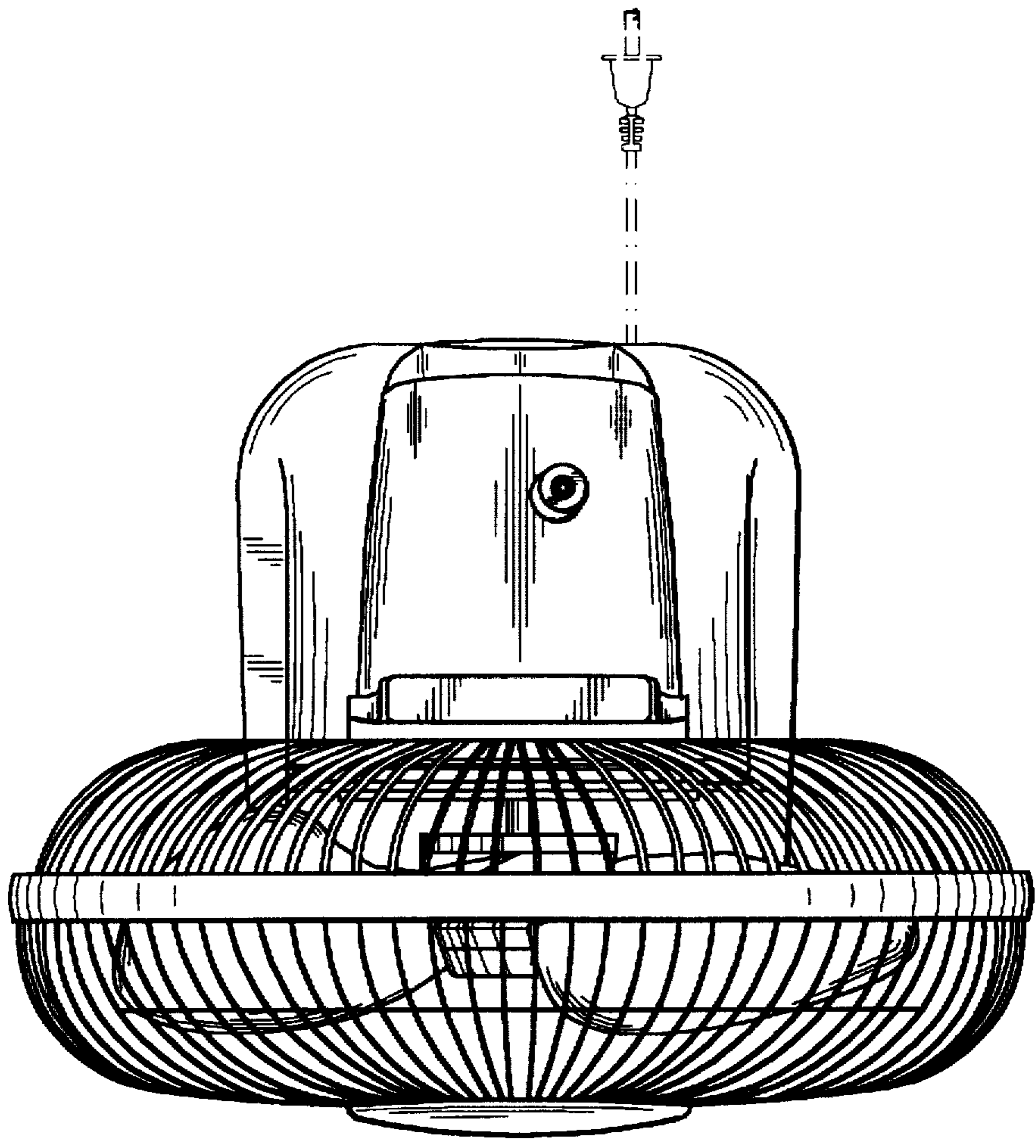


Fig. 5