



US00D391343S

United States Patent [19]

[11] Patent Number: **Des. 391,343**

Tagg

[45] Date of Patent: ****Feb. 24, 1998**

[54] **PORTABLE SINK**

4,765,003	8/1988	Chang	4/624
4,766,621	8/1988	Rasor	4/643
5,502,848	4/1996	Cowan	4/619

[75] Inventor: **Richard Leach Tagg**, Sandhutton, England

Primary Examiner—Louis S. Zarfes
Assistant Examiner—Eric Watterson
Attorney, Agent, or Firm—Harness, Dickey & Pierce, P.L.C.

[73] Assignee: **Polyjohn Enterprises Corporation**, Whiting, Ind.

[**] Term: **14 Years**

[57] **CLAIM**

[21] Appl. No.: **51,979**

The ornamental design for a portable sink, as shown and described.

[22] Filed: **Mar. 20, 1996**

DESCRIPTION

[51] LOC (6) Cl. **23-02**

FIG. 1 is a perspective, right side and front view showing my design;

[52] U.S. Cl. **D23/286**

FIG. 2 is a right side elevational view thereof;

[58] Field of Search D23/284-293.1;

FIG. 3 is a left side elevational view thereof;

4/619, 624, 625, 626, 638-650

FIG. 4 is a top plan view thereof;

FIG. 5 is a front elevational view of a portable sink, showing the second embodiment;

[56] **References Cited**

U.S. PATENT DOCUMENTS

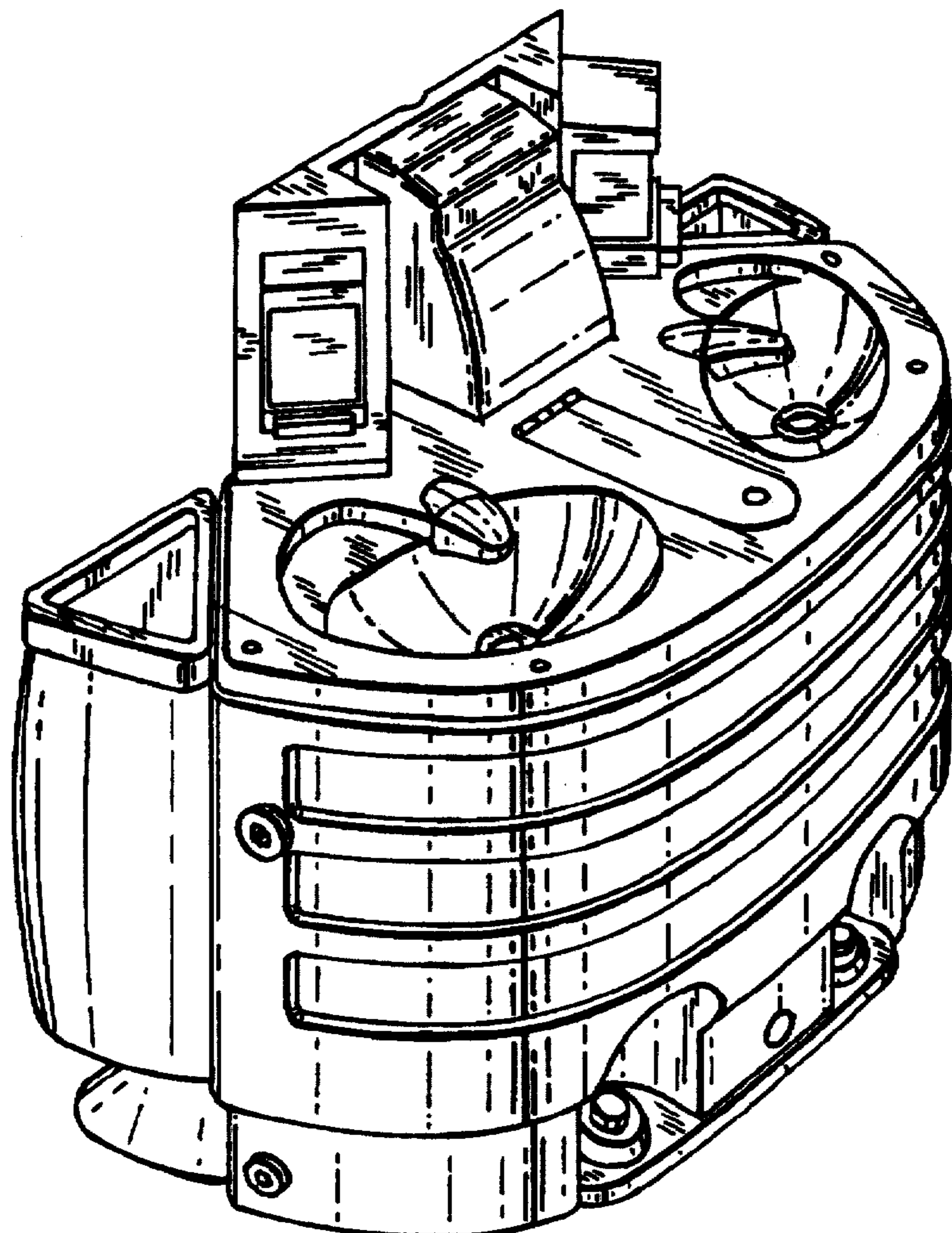
D. 250,595	12/1978	Tebbe et al.	D23/286
D. 315,196	3/1991	Tegg et al.	D23/284
1,378,185	5/1921	Nicholl	4/625
4,747,169	5/1988	Valbuena	4/625

FIG. 6 is a top plan view thereof;

FIG. 7 is a right side elevational view thereof; and,

FIG. 8 is a left side elevational view thereof.

1 Claim, 2 Drawing Sheets



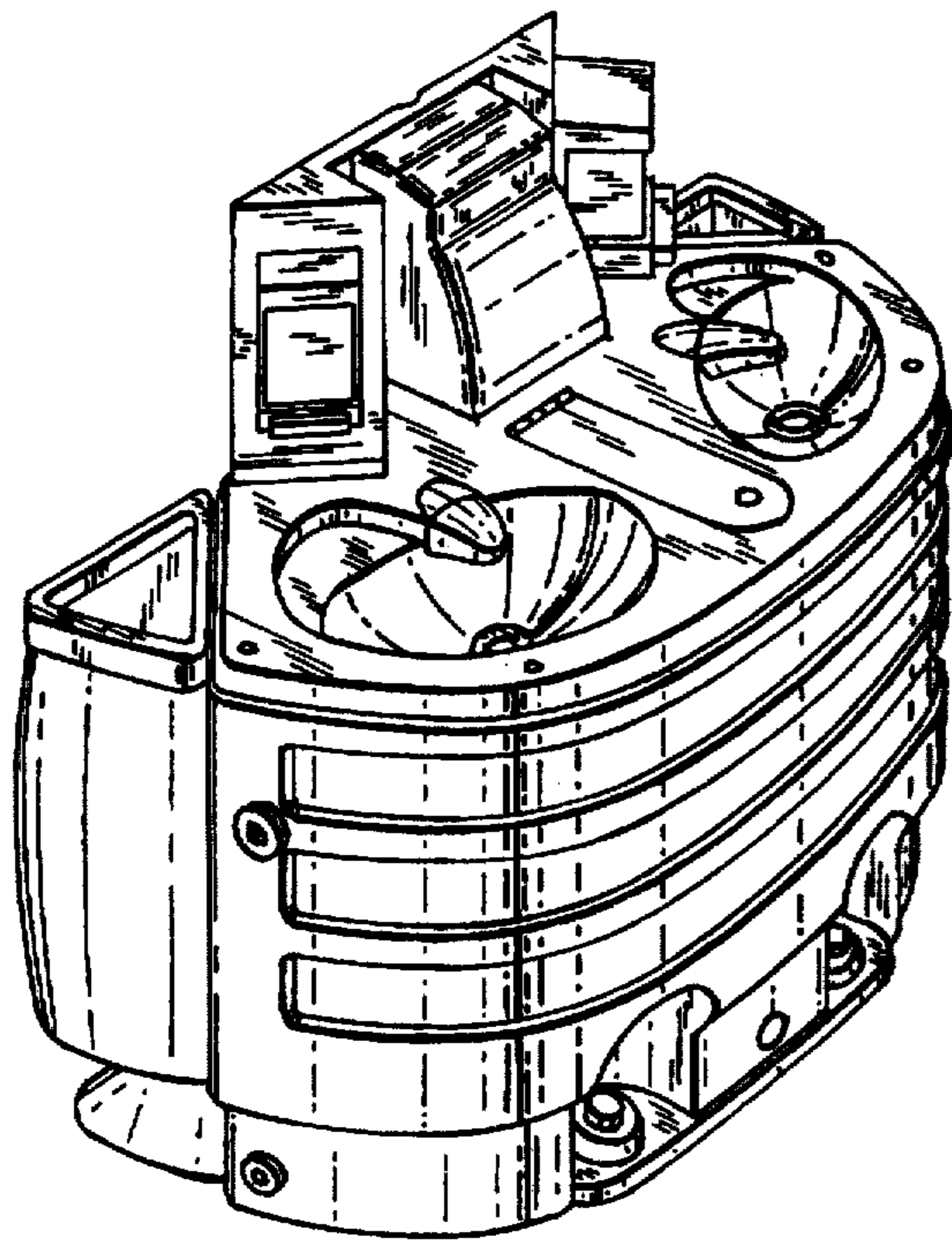


FIG. 1.

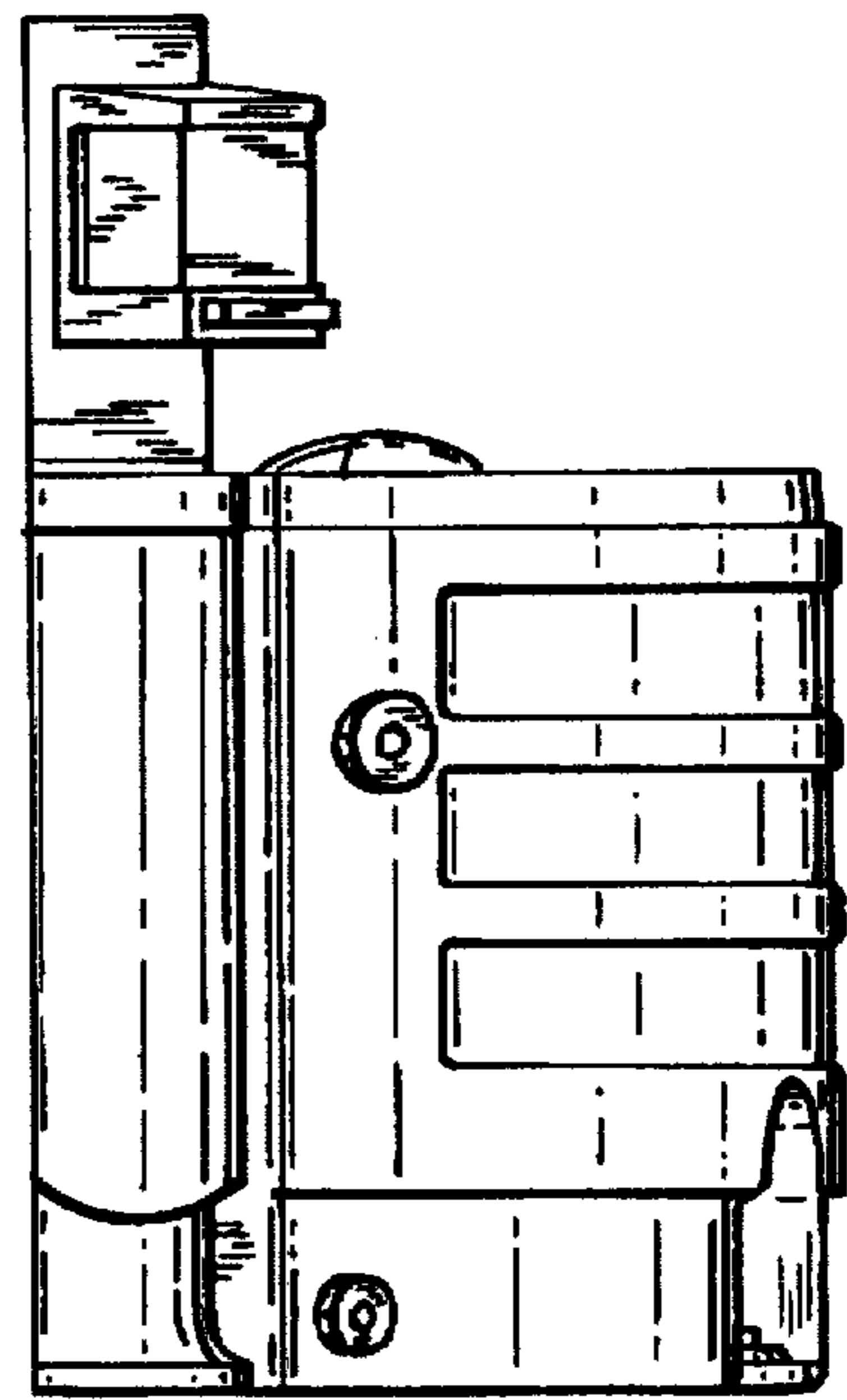


FIG. 2.

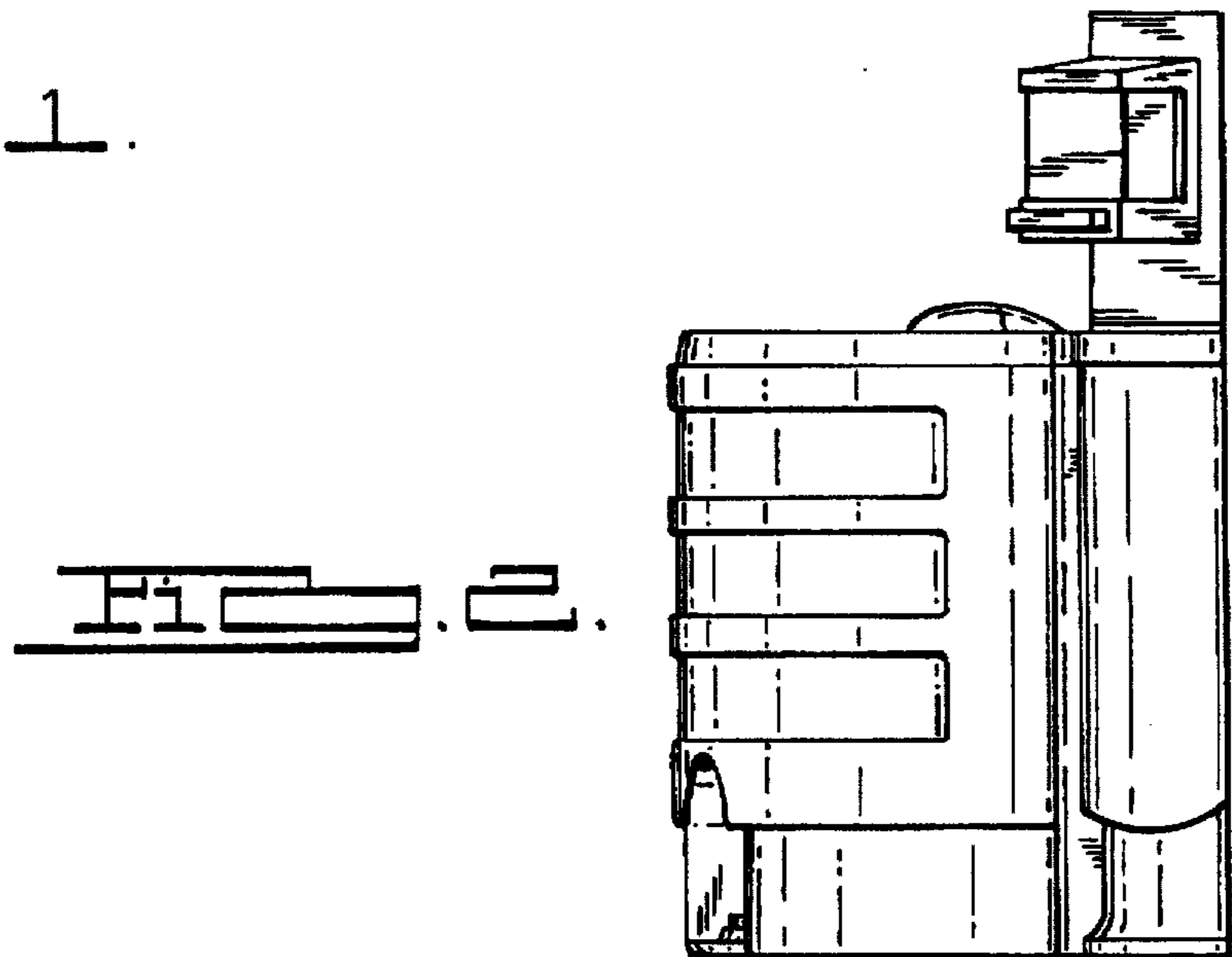


FIG. 3.

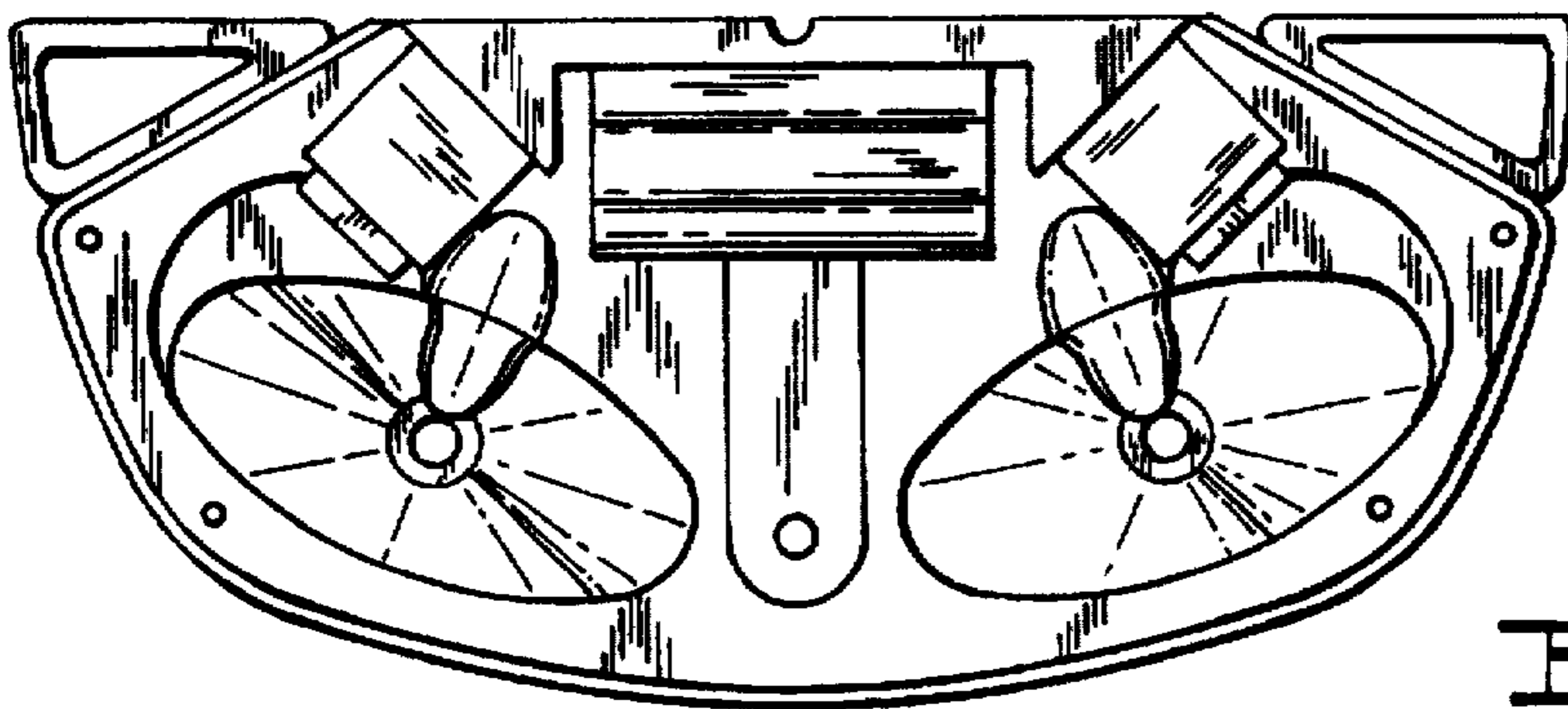


FIG. 4.

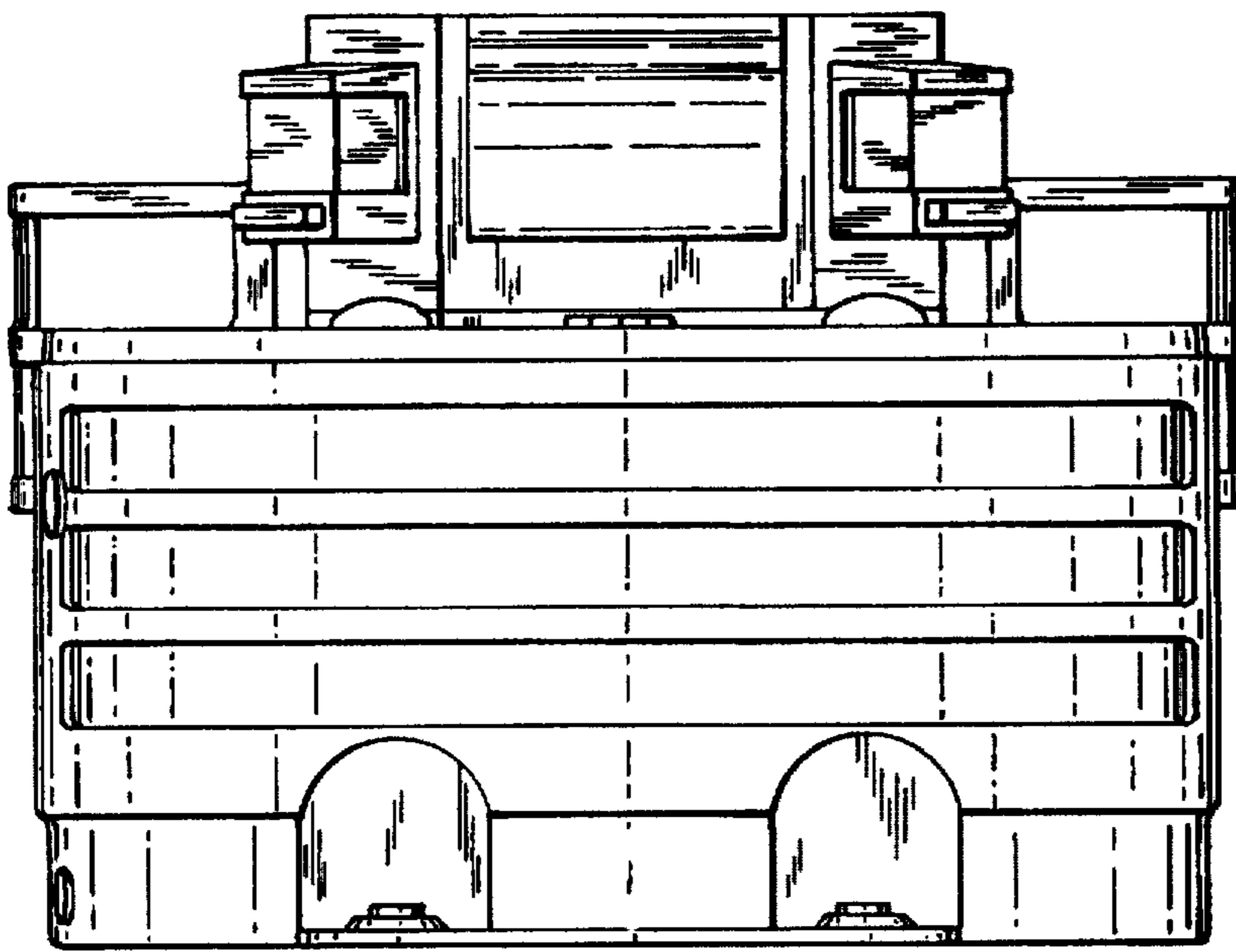


FIG. 5.

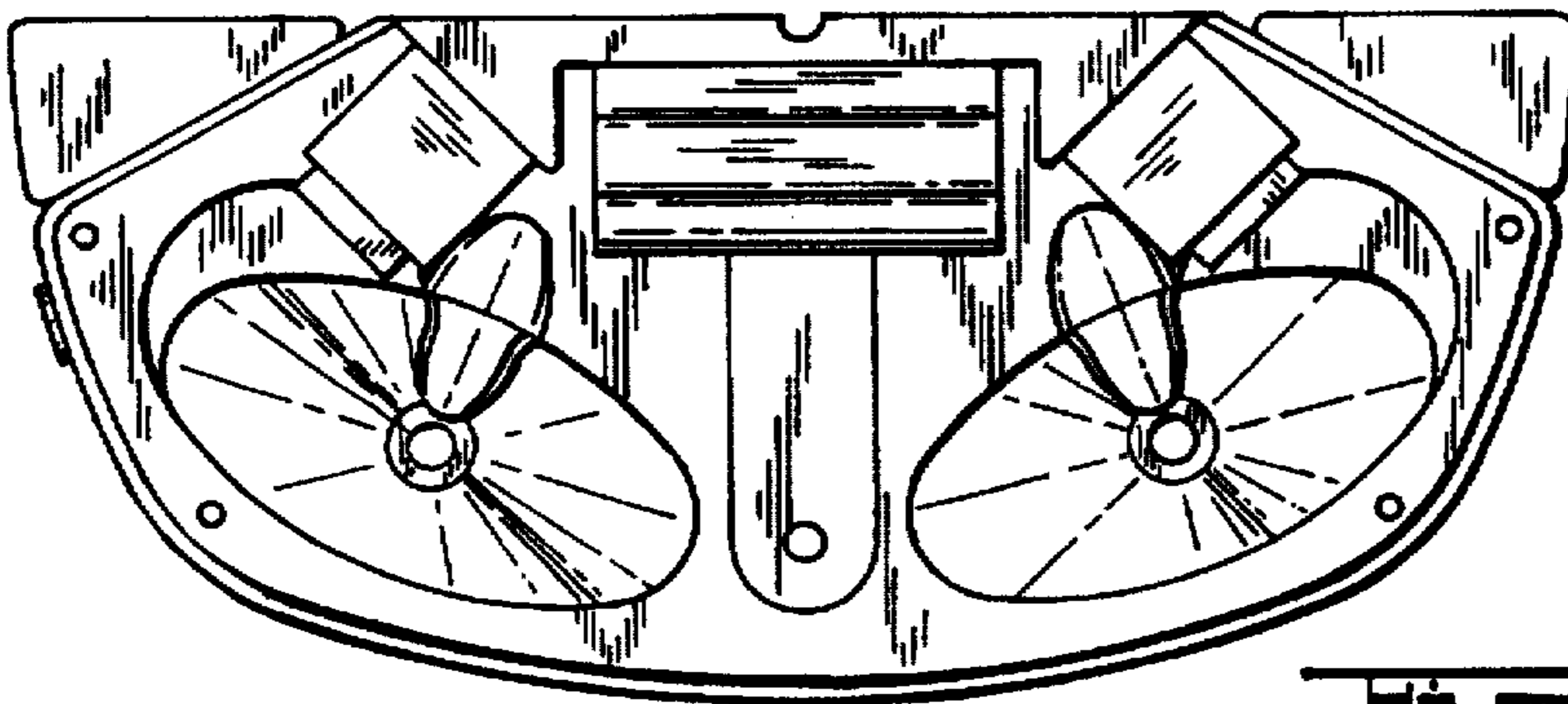


FIG. 6.

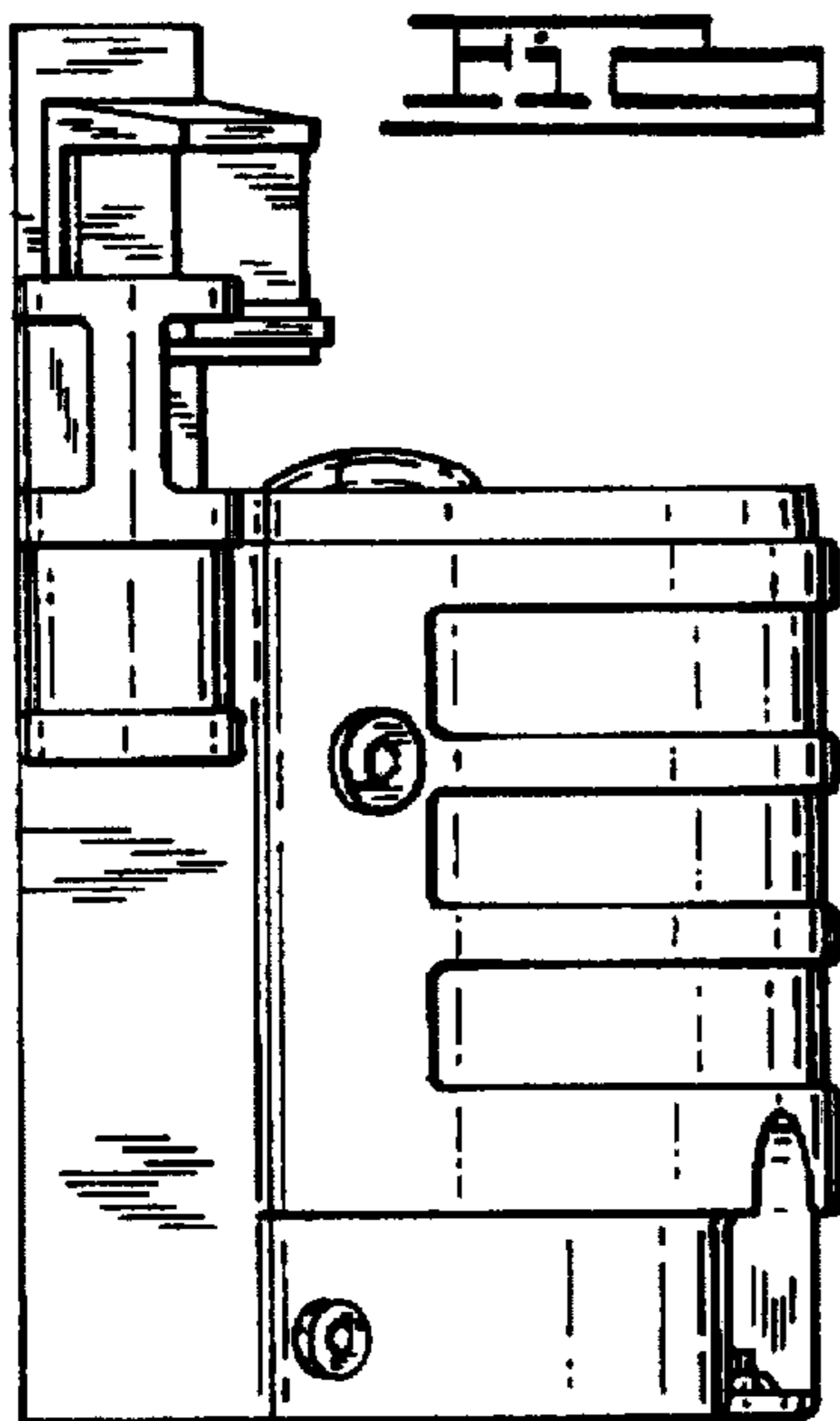


FIG. 7.

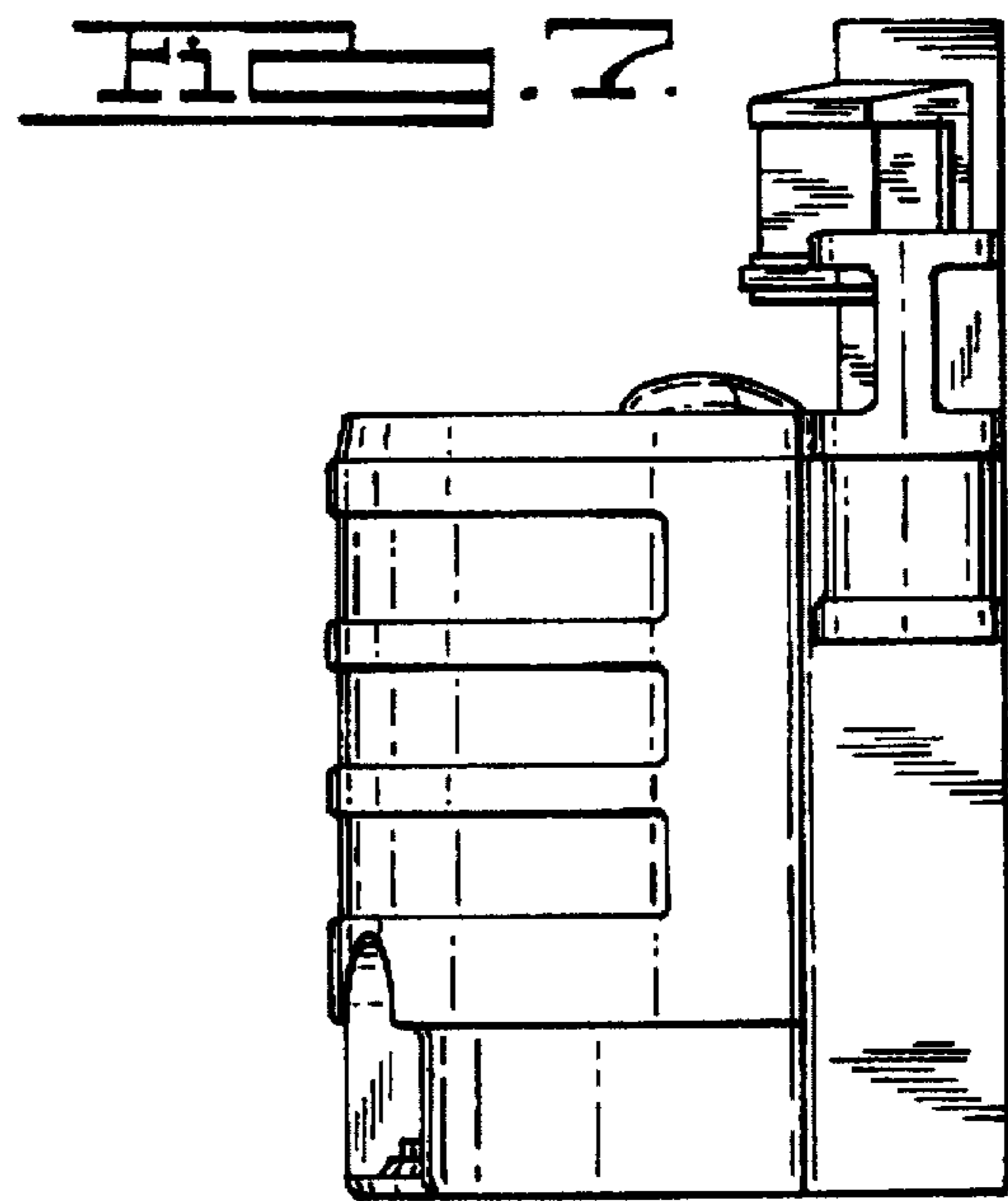


FIG. 8.