



US00D391335S

# United States Patent [19]

Bechtel

[11] Patent Number: **Des. 391,335**

[45] Date of Patent: **\*\*Feb. 24, 1998**

[54] **RING FOR MOUNTING A SCOPE ON A FIREARM**

[75] Inventor: **Daniel L. Bechtel, Ft. Worth, Tex.**

[73] Assignee: **B-Square, Inc., Ft. Worth, Tex.**

[\*\*] Term: **14 Years**

[21] Appl. No.: **32,833**

[22] Filed: **Dec. 29, 1994**

[51] LOC (6) Cl. .... **22-01**

[52] U.S. Cl. .... **D22/110; D22/108; D22/109**

[58] Field of Search ..... **D22/100, 103, D22/108, 109, 110, 199; D21/145, 146, 147; 33/233, 241, 243, 244, 245, 246, 247, 248, 249, 250, 252; 42/100, 101**

### [56] References Cited

#### U.S. PATENT DOCUMENTS

D. 212,690	11/1968	Kuharsky, Jr. ....	D22/110
3,513,549	5/1970	Smiley .....	33/248
3,611,606	10/1971	Sefried et al. ....	33/245 X
5,086,566	2/1992	Klumpp .....	33/247

#### FOREIGN PATENT DOCUMENTS

752966	7/1956	United Kingdom .....	33/250
8807168	9/1988	WIPO .....	33/245

#### OTHER PUBLICATIONS

*New Frontier Mounts*, inside cover, "Frontier Rings and Bases", top of page.

*Primary Examiner*—Louis S. Zarfaz

*Assistant Examiner*—Monica A. Weingart

*Attorney, Agent, or Firm*—Charles W. McHugh

### [57] CLAIM

The ornamental design for a "ring for mounting a scope on a firearm," as shown and described.

### DESCRIPTION

FIG. 1 is a perspective view of one embodiment of a "ring for mounting a scope on a firearm," showing my new design;

FIG. 2 is a top plan view of the embodiment shown in FIG. 1;

FIG. 3 is a bottom plan view of the embodiment shown in FIG. 1;

FIG. 4 is a left side elevational view of the embodiment shown in FIG. 1;

FIG. 5 is a front elevational view of the embodiment shown in FIG. 1, and the rear elevational view being a mirror image thereof;

FIG. 6 is a right side elevational view of the embodiment shown in FIG. 1;

FIG. 7 is a perspective view of a second embodiment of a "ring for mounting a scope on a firearm," showing my new design;

FIG. 8 is a top plan view of the embodiment shown in FIG. 7;

FIG. 9 is a bottom plan view of the embodiment shown in FIG. 7;

FIG. 10 is a left side elevational view of the embodiment shown in FIG. 7;

FIG. 11 is a front elevational view of the embodiment shown in FIG. 7, and the rear elevational view being a mirror image thereof;

FIG. 12 is a right side elevational view of the embodiment shown in FIG. 7;

FIG. 13 is a perspective view of a third embodiment of a "ring for mounting a scope on a firearm," showing my new design;

FIG. 14 is a top plan view of the embodiment shown in FIG. 13;

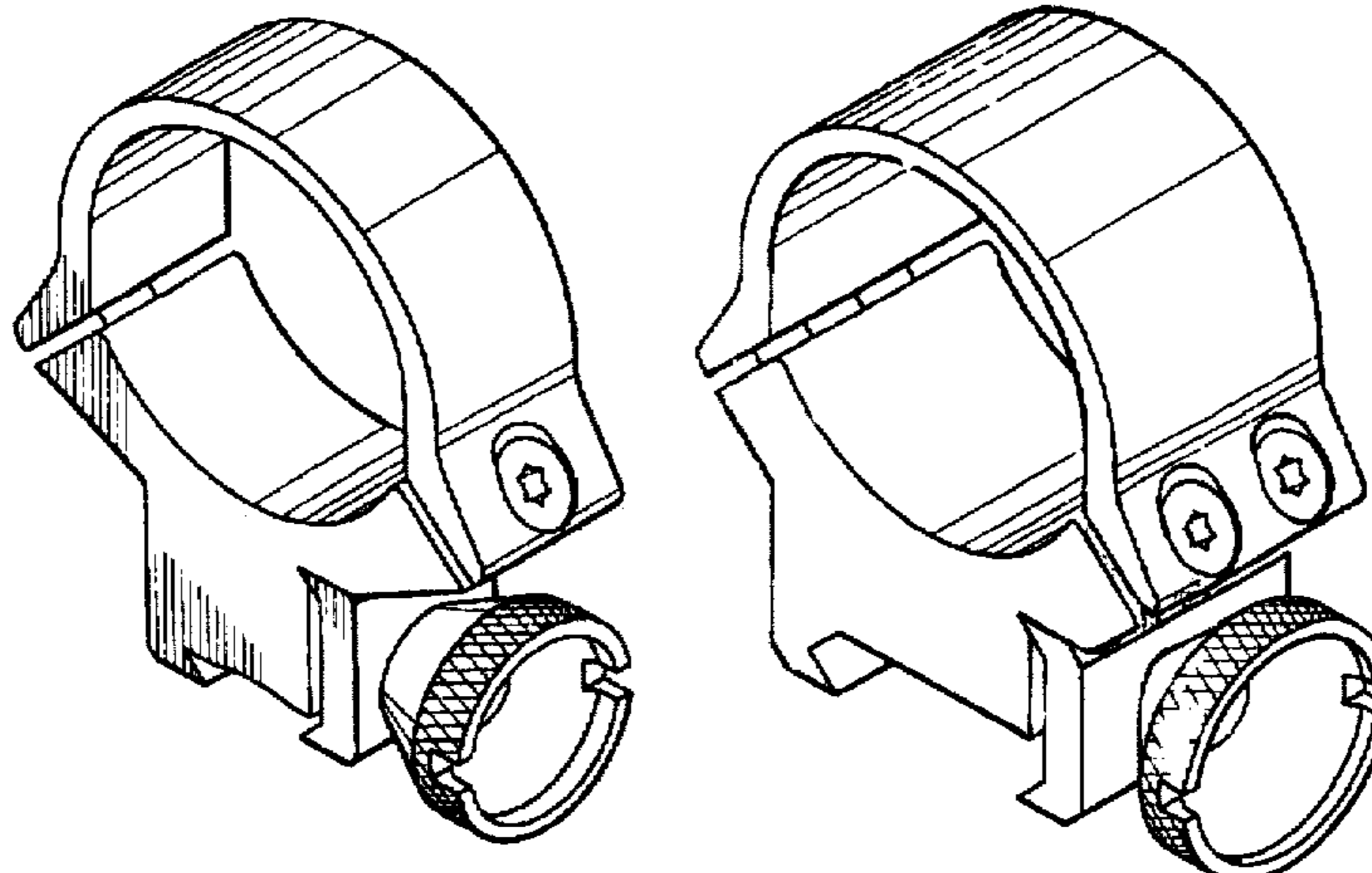
FIG. 15 is a bottom plan view of the embodiment shown in FIG. 13;

FIG. 16 is a left side elevational view of the embodiment shown in FIG. 13;

FIG. 17 is a front elevational view of the embodiment shown in FIG. 13, and the rear elevational view being a mirror image thereof; and,

FIG. 18 is a right side elevational view of the embodiment shown in FIG. 13.

1 Claim, 3 Drawing Sheets



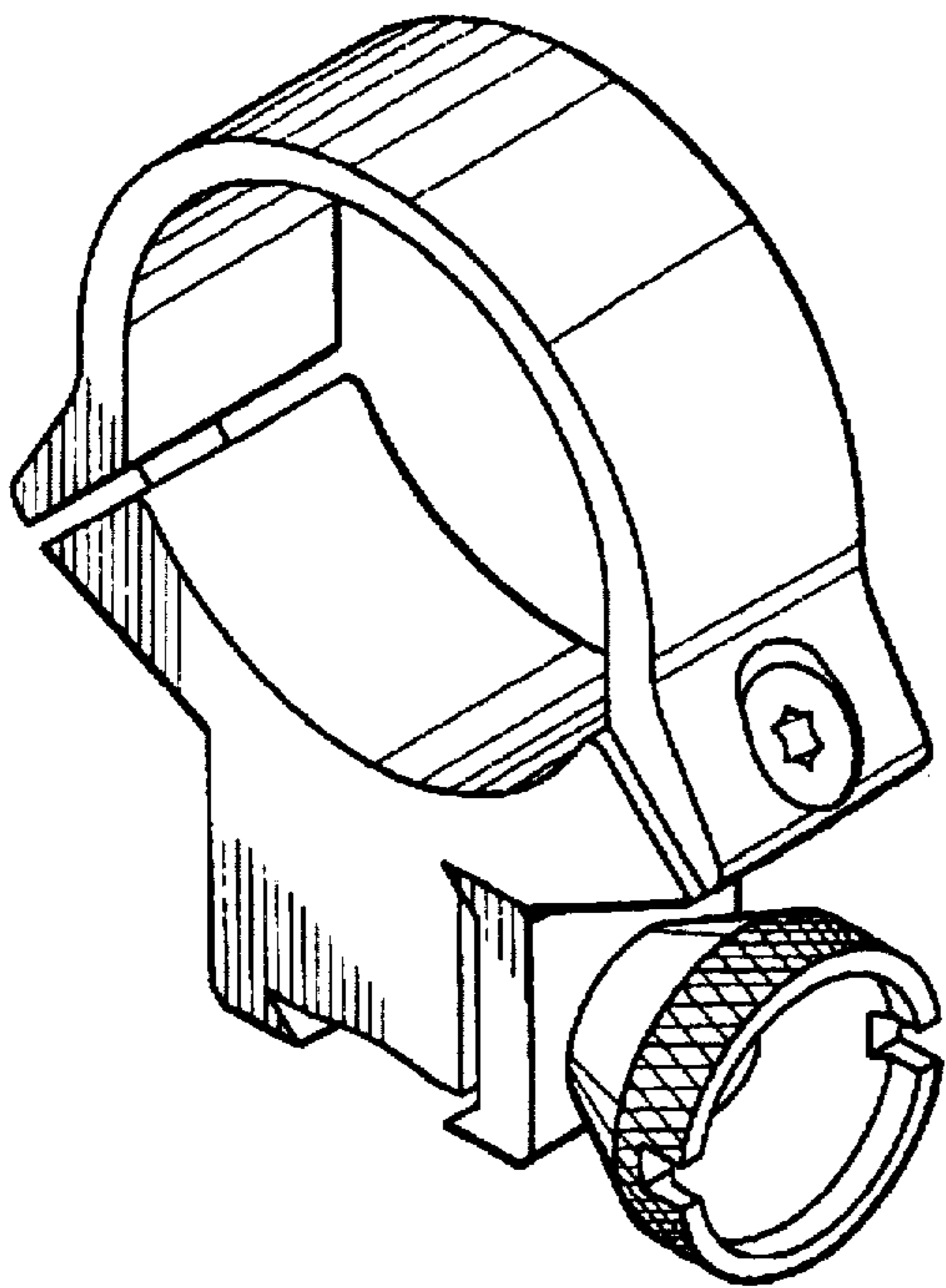


FIG. 1

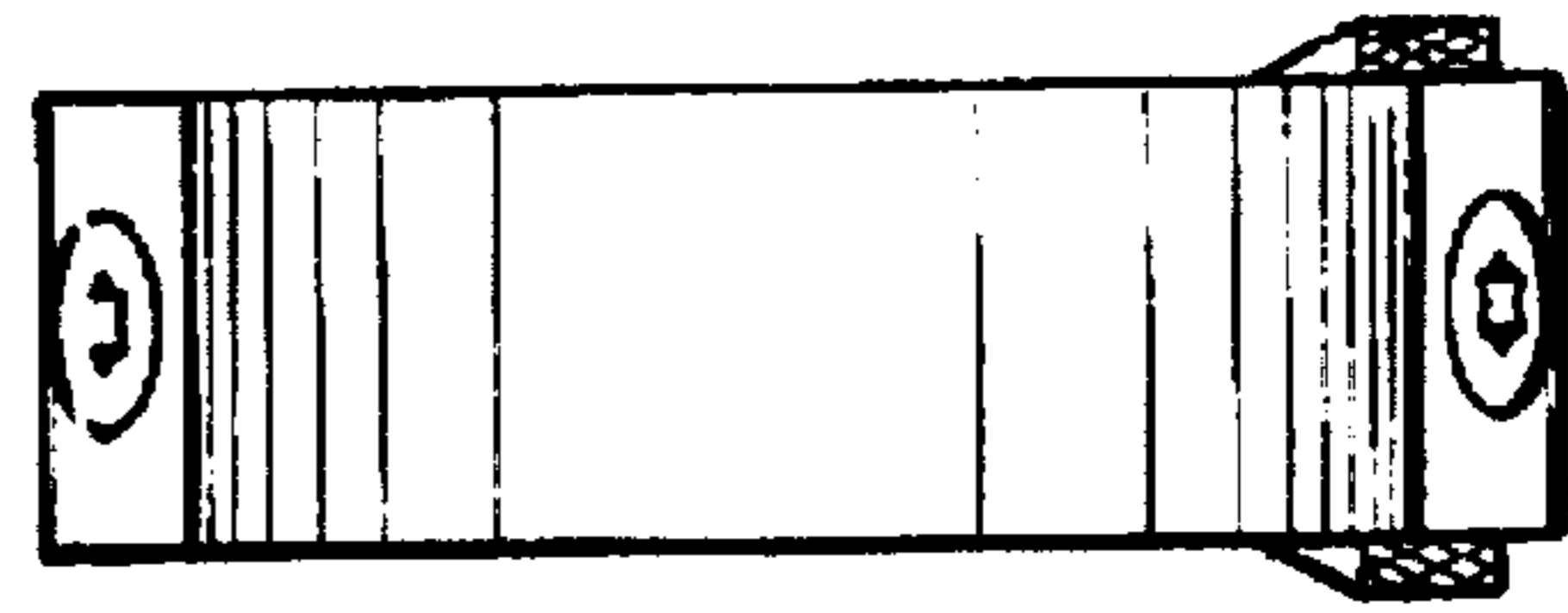


FIG. 2



FIG. 3

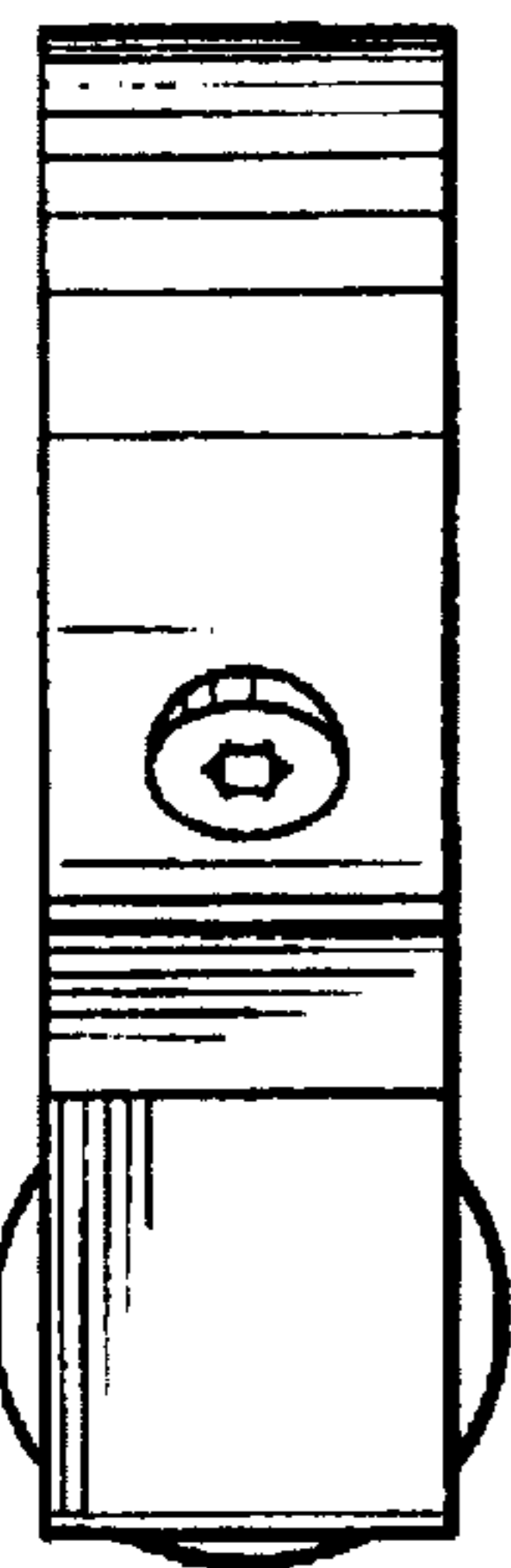


FIG. 4

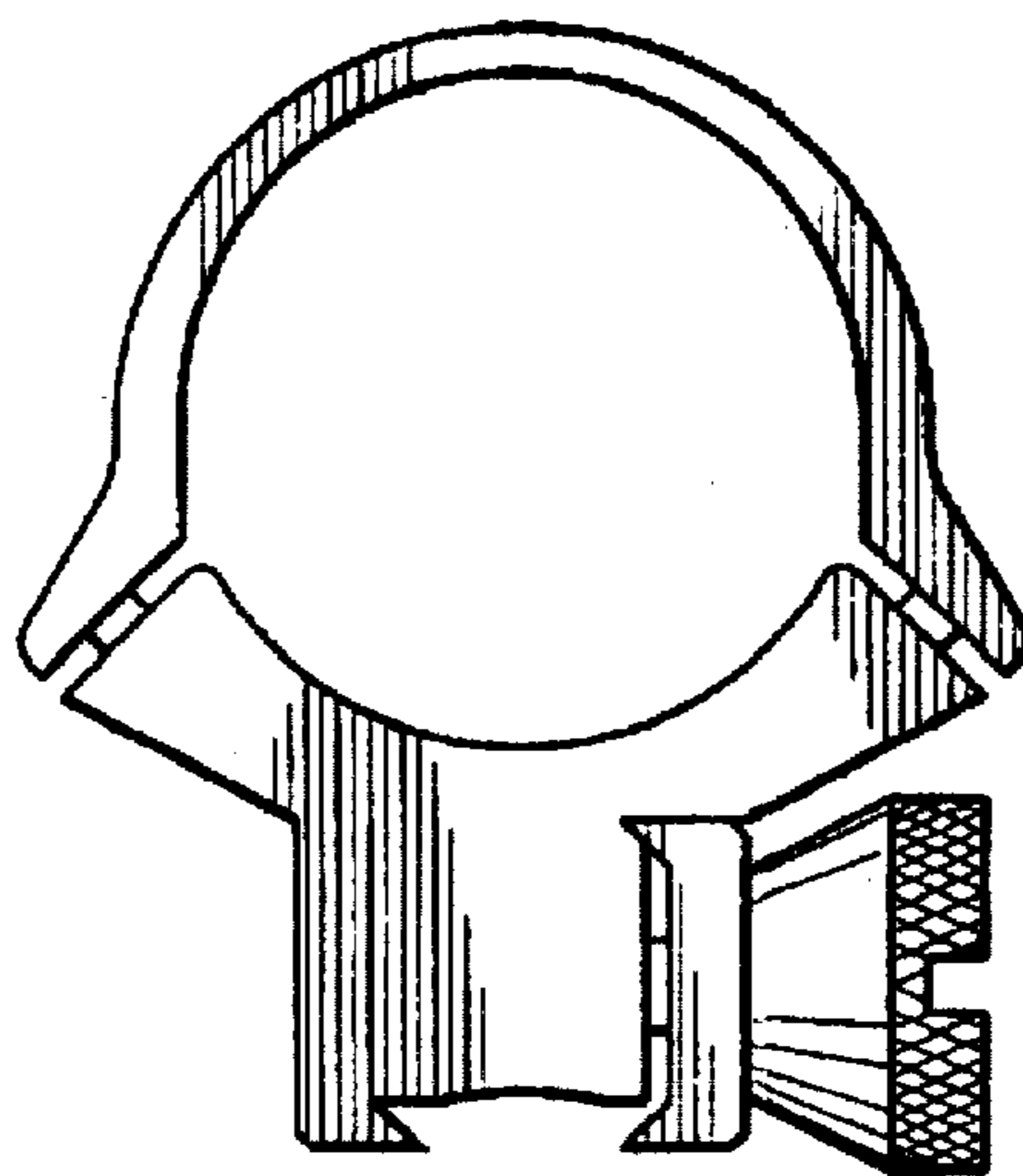


FIG. 5

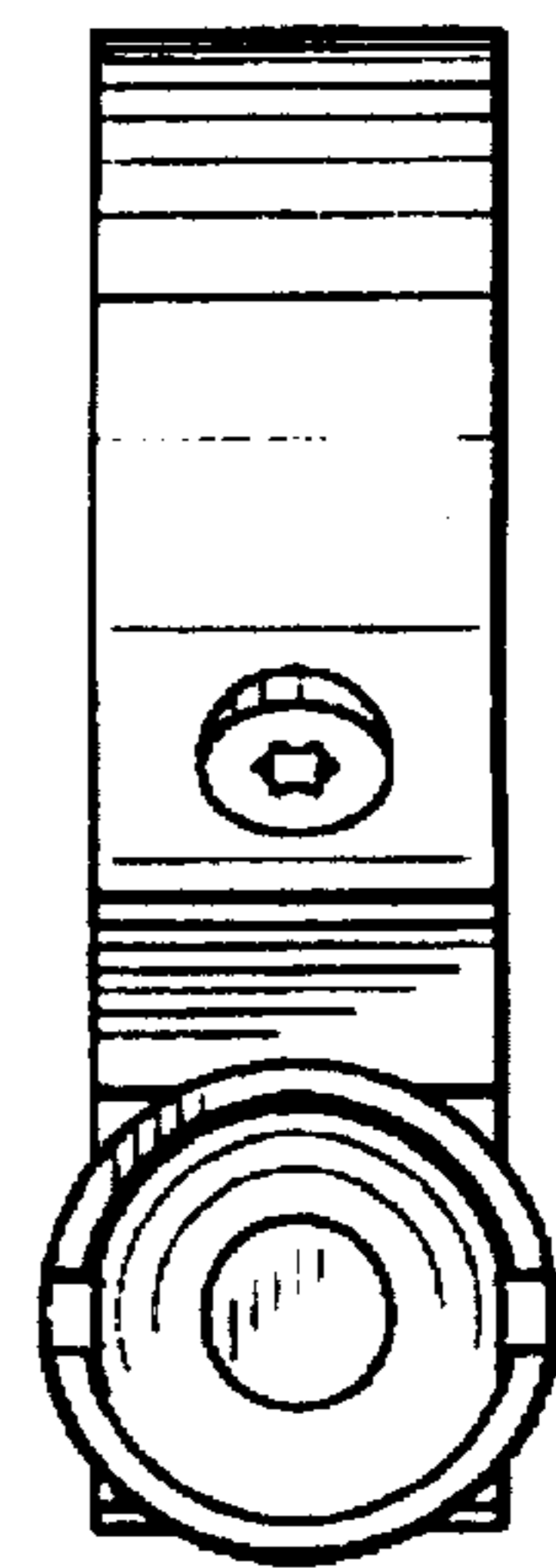


FIG. 6

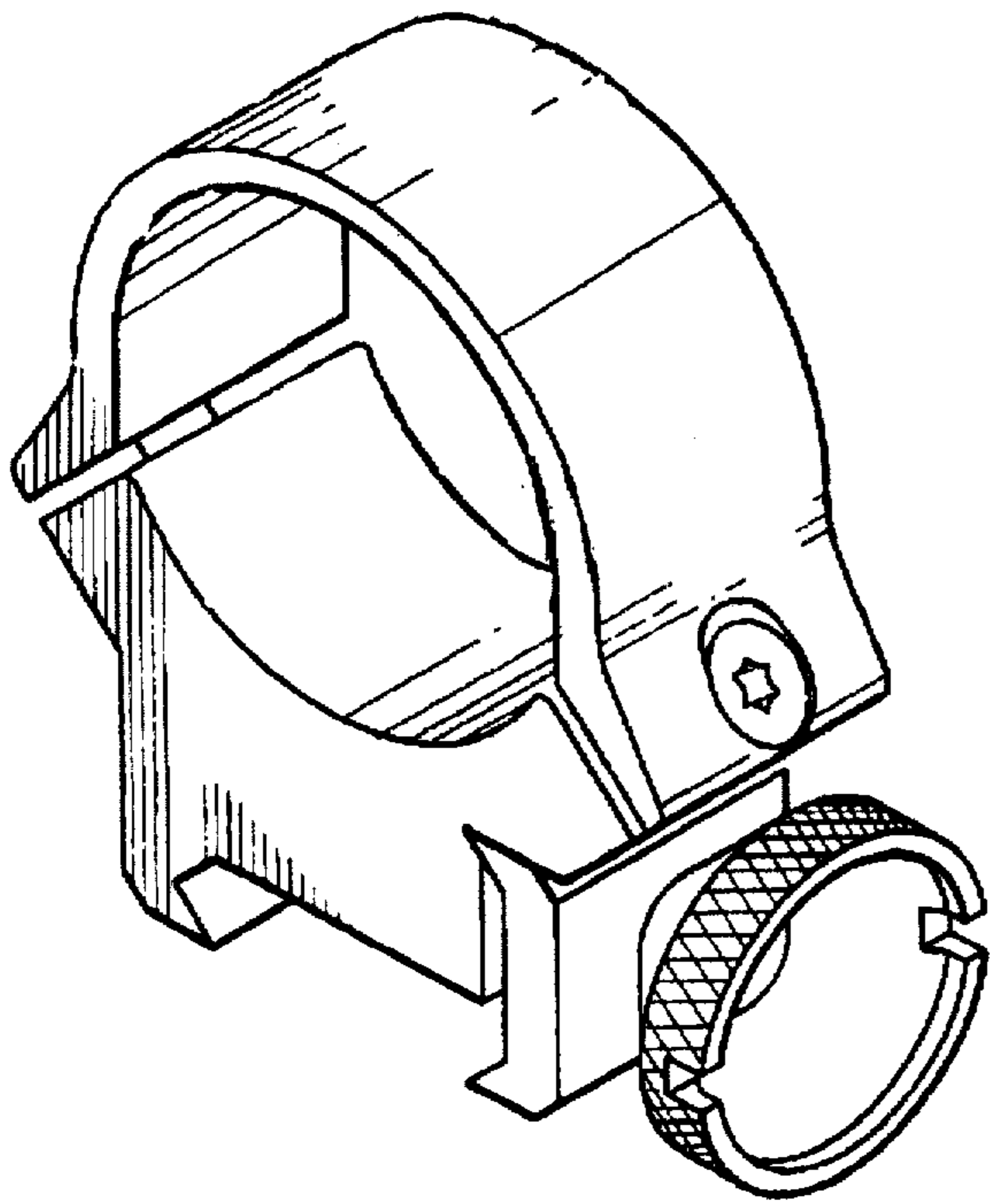


FIG. 7

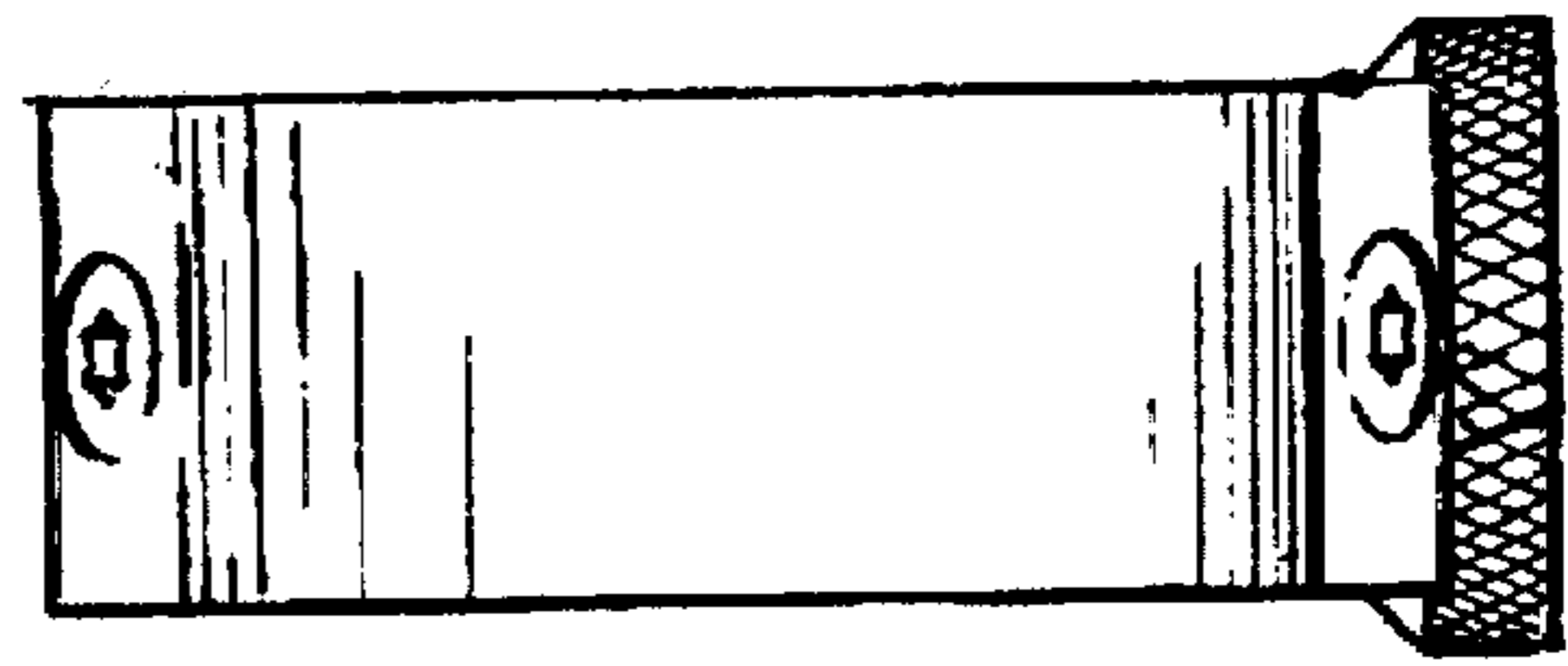


FIG. 8

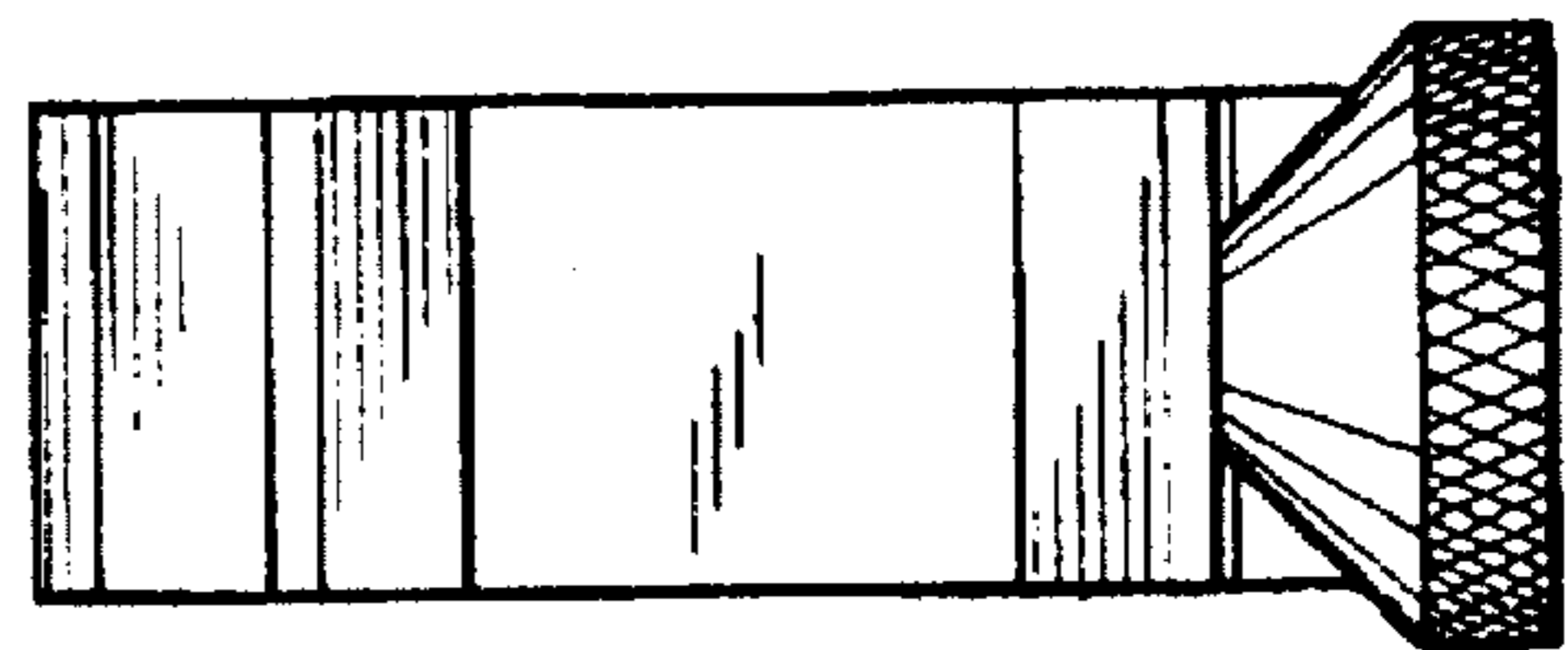


FIG. 9

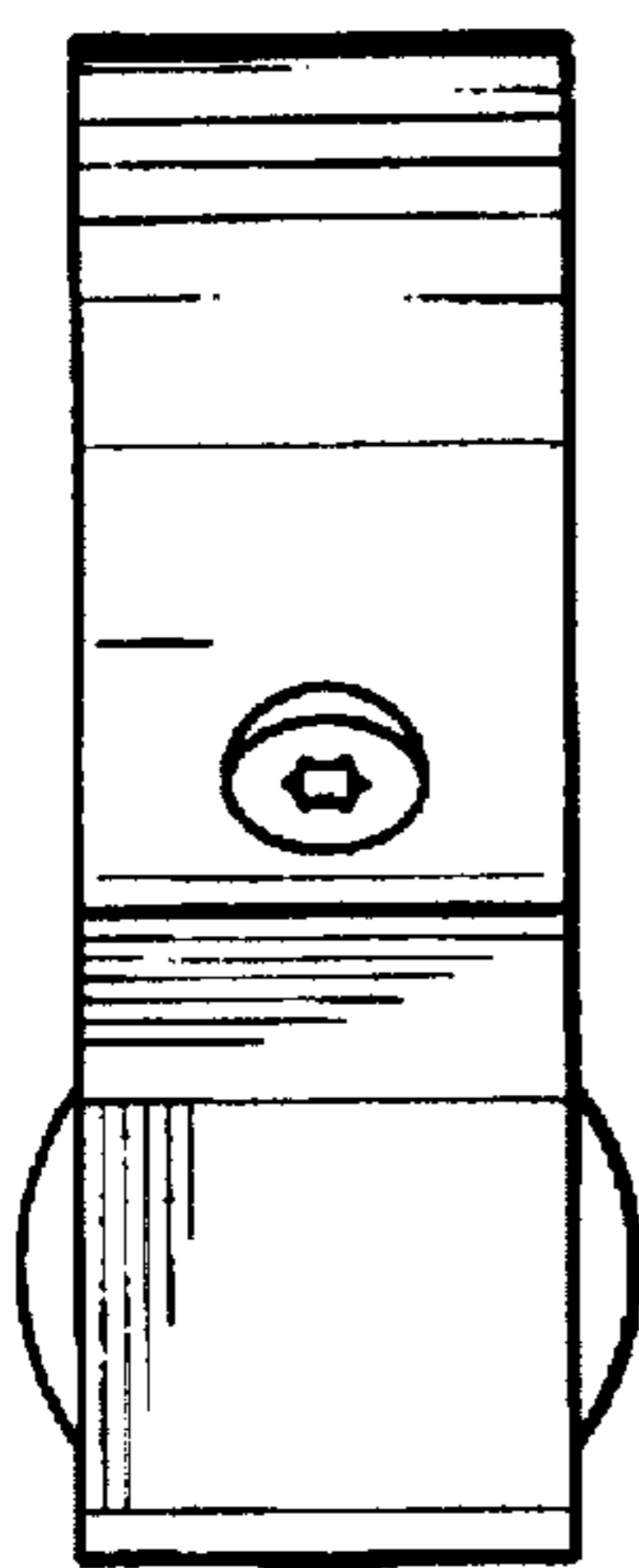


FIG. 10

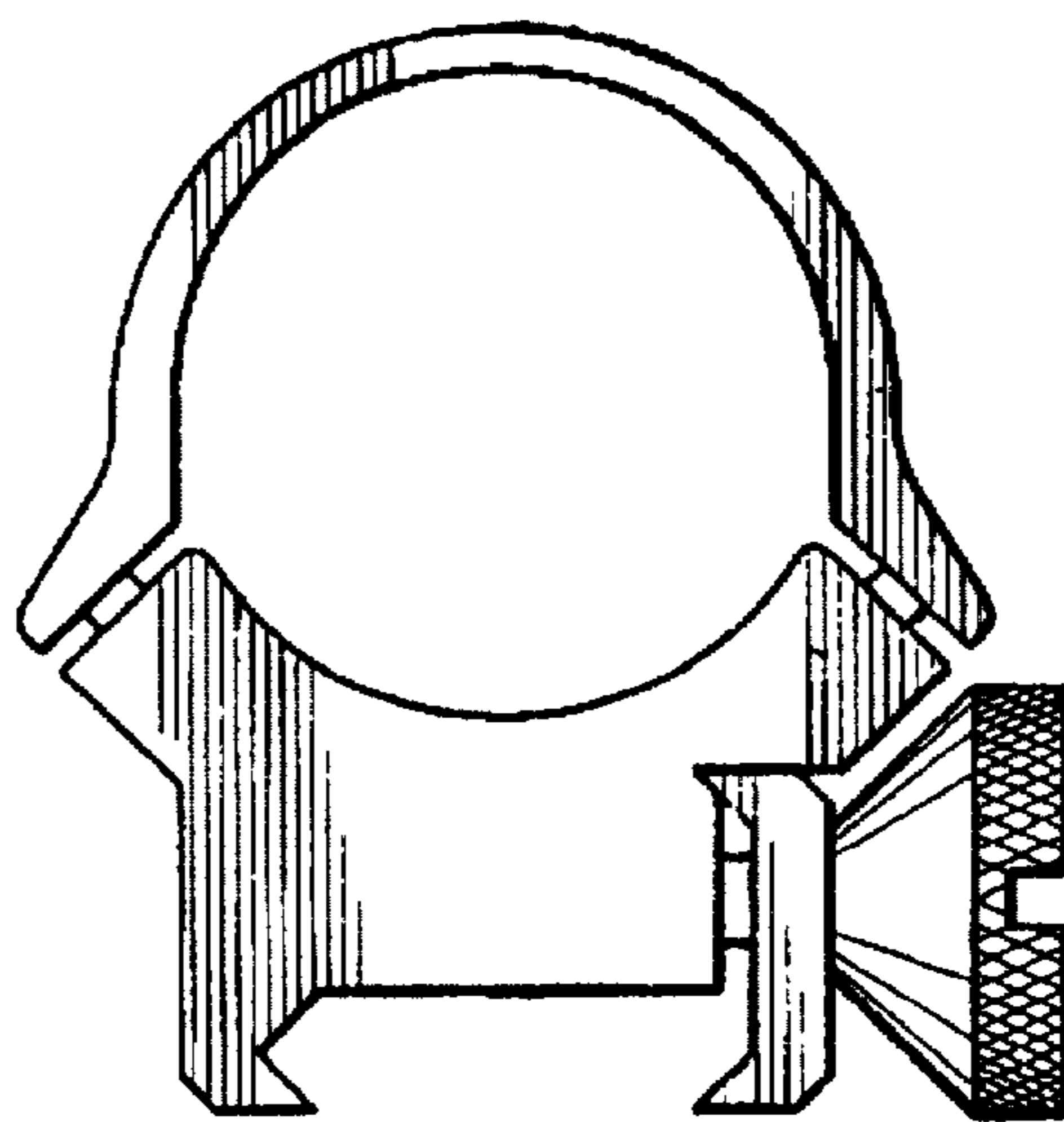


FIG. 11

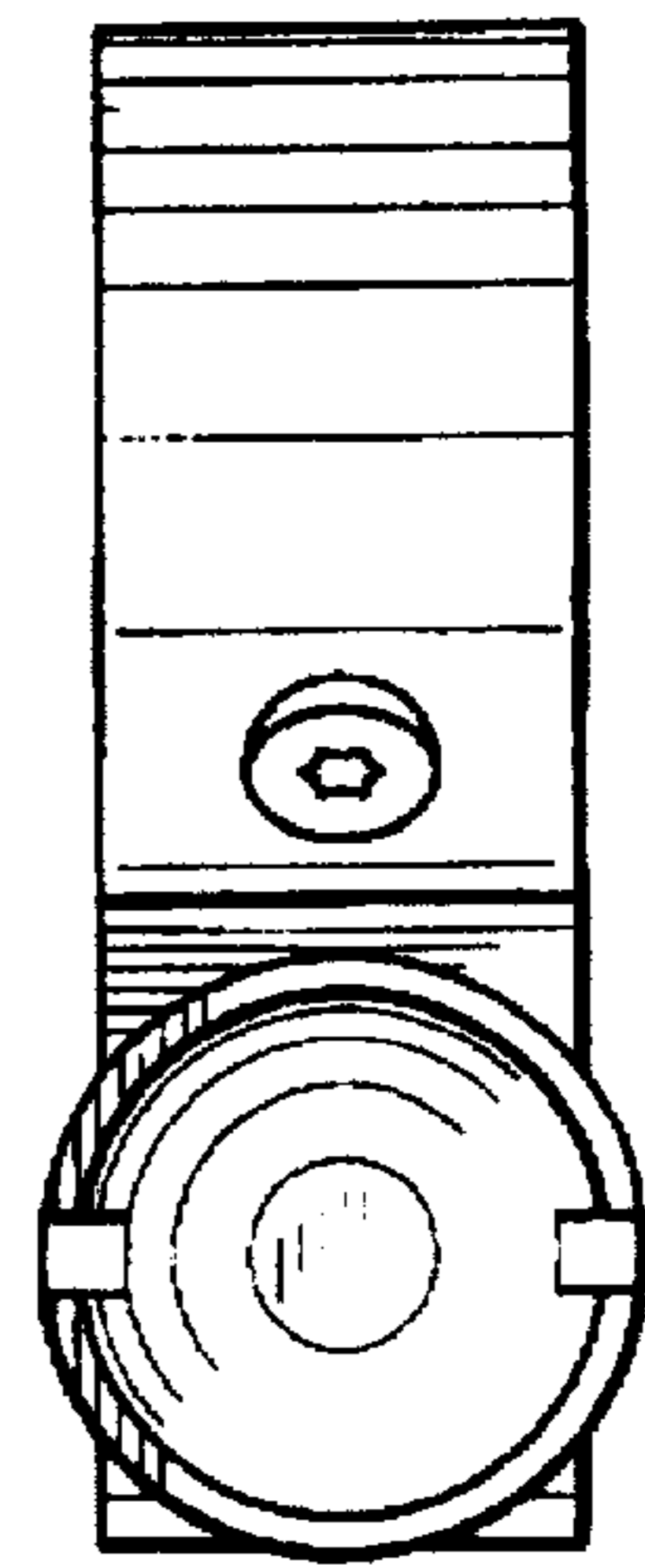


FIG. 12

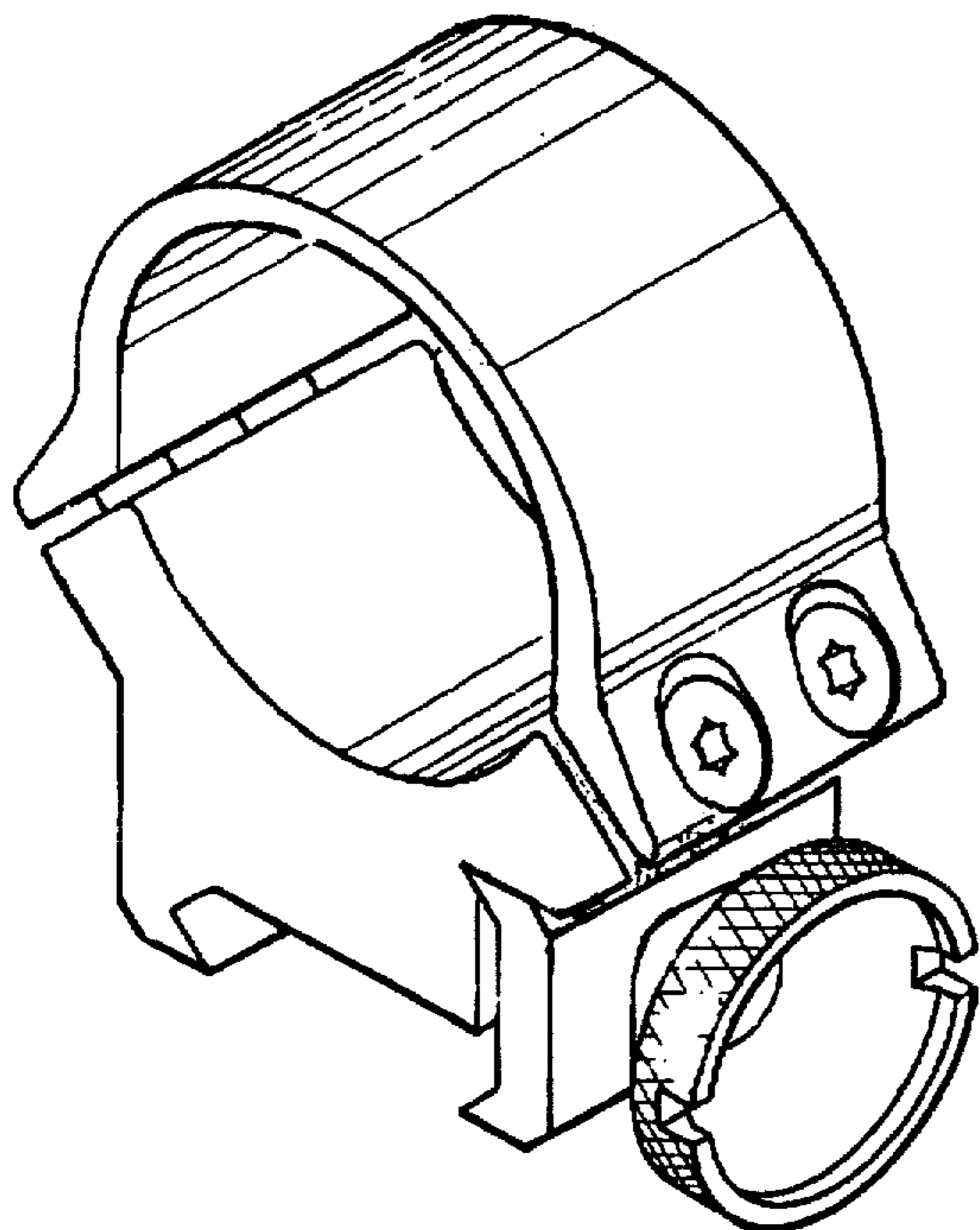


FIG. 13

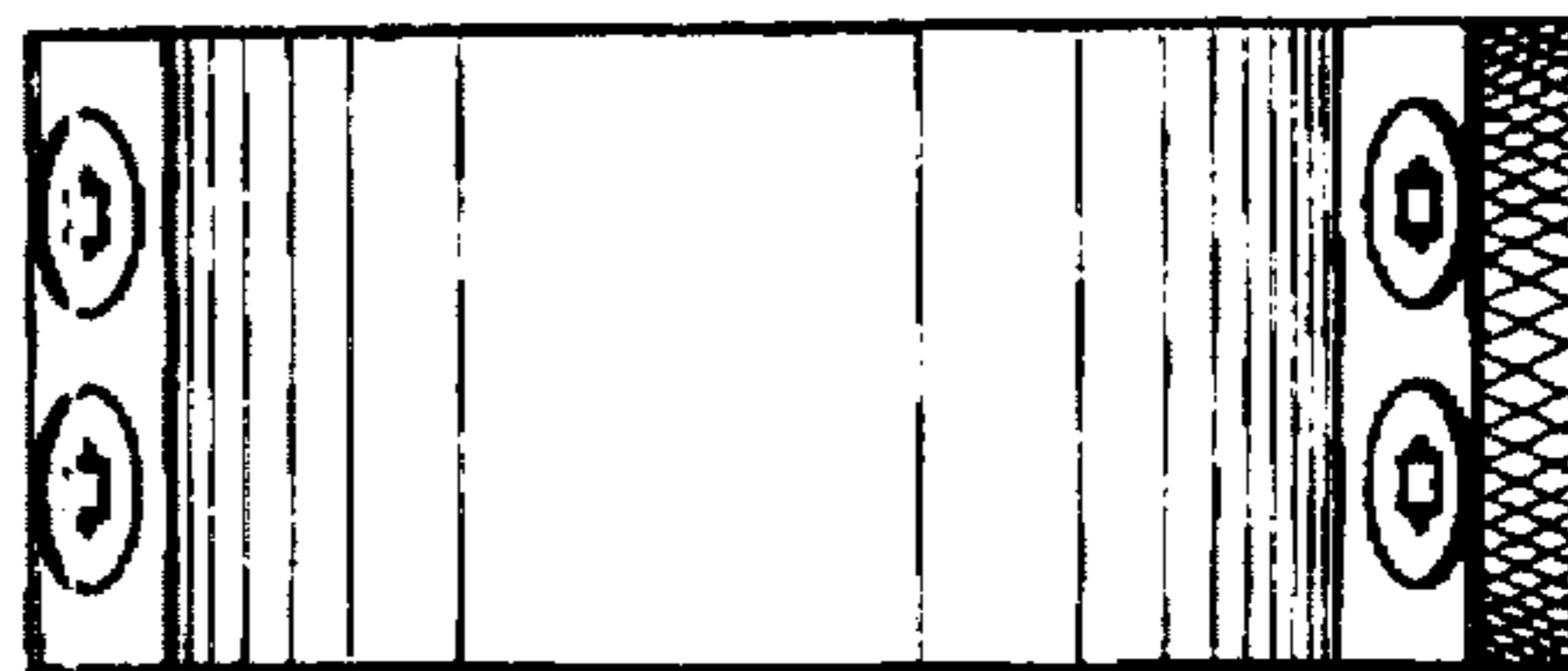


FIG. 14

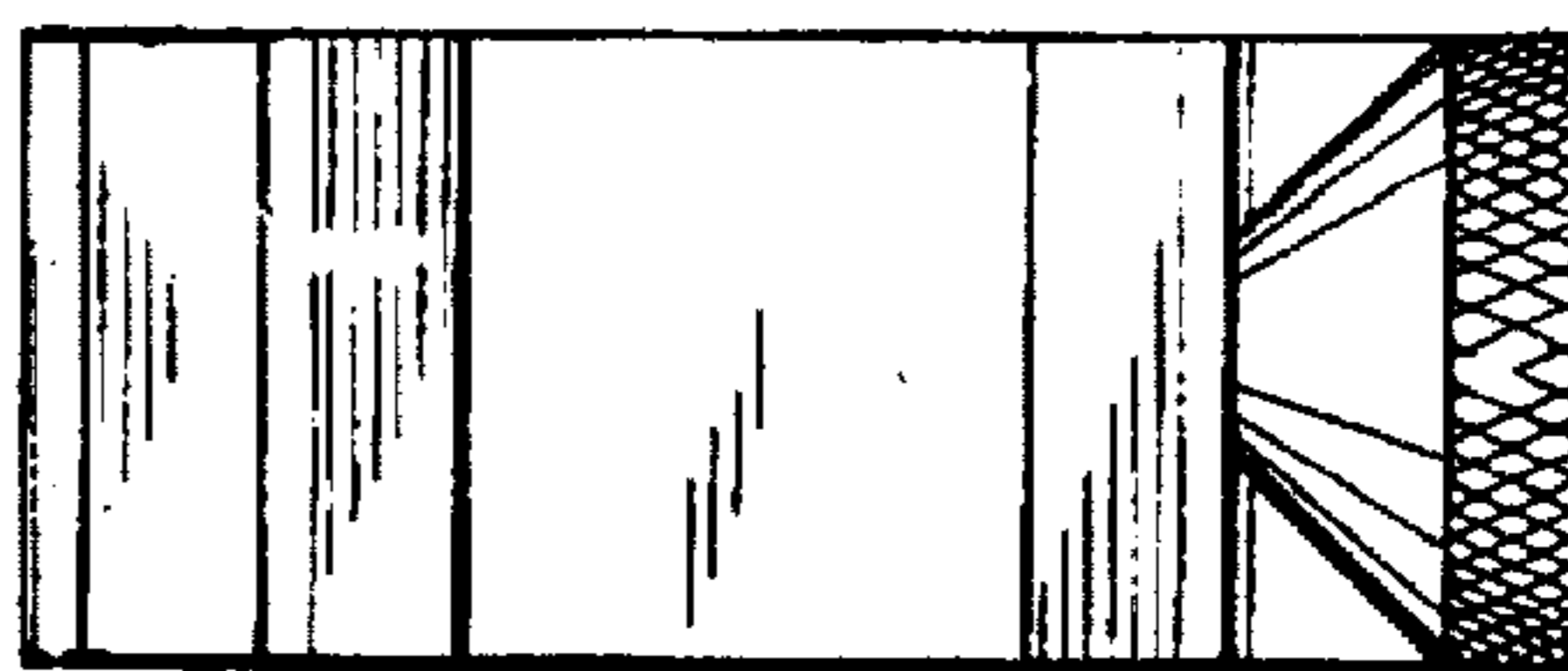


FIG. 15

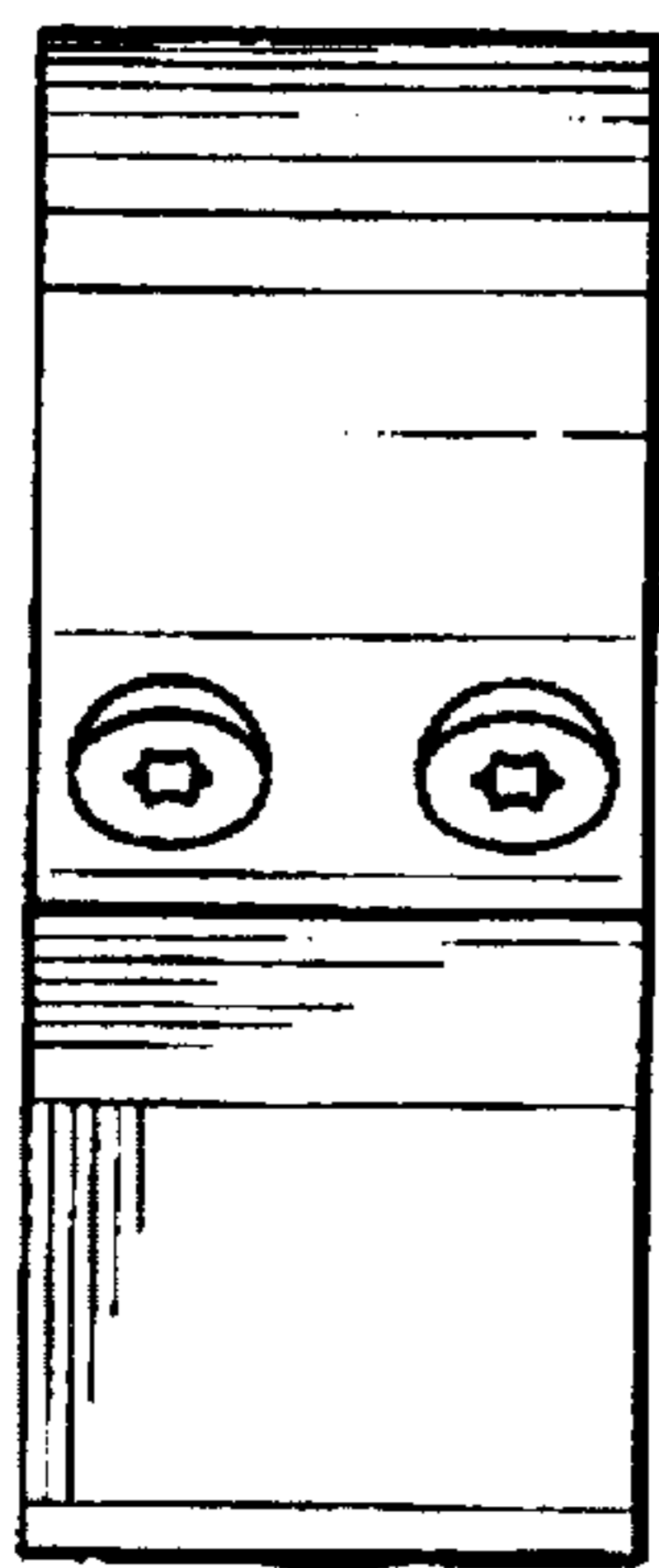


FIG. 16

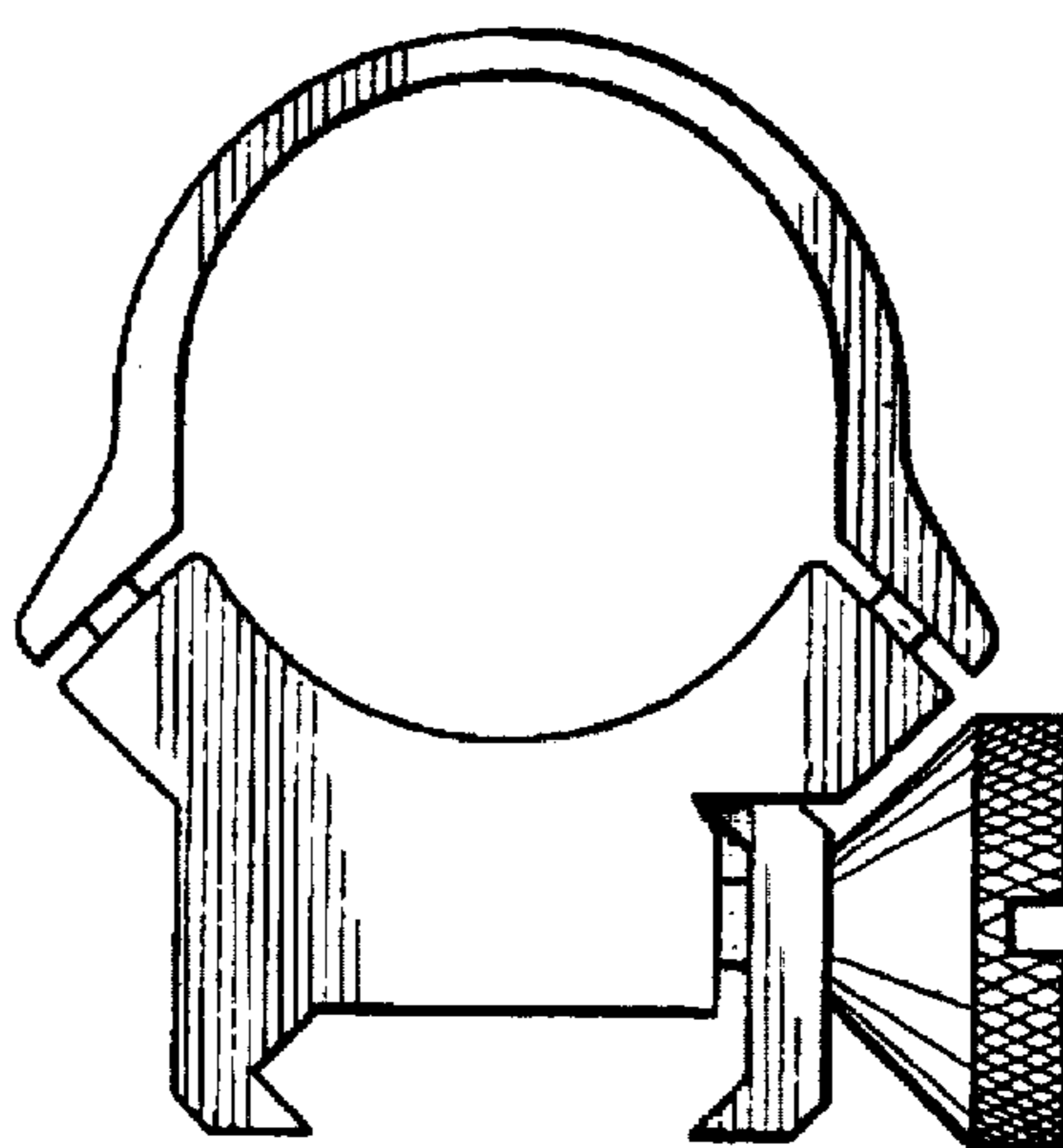


FIG. 17

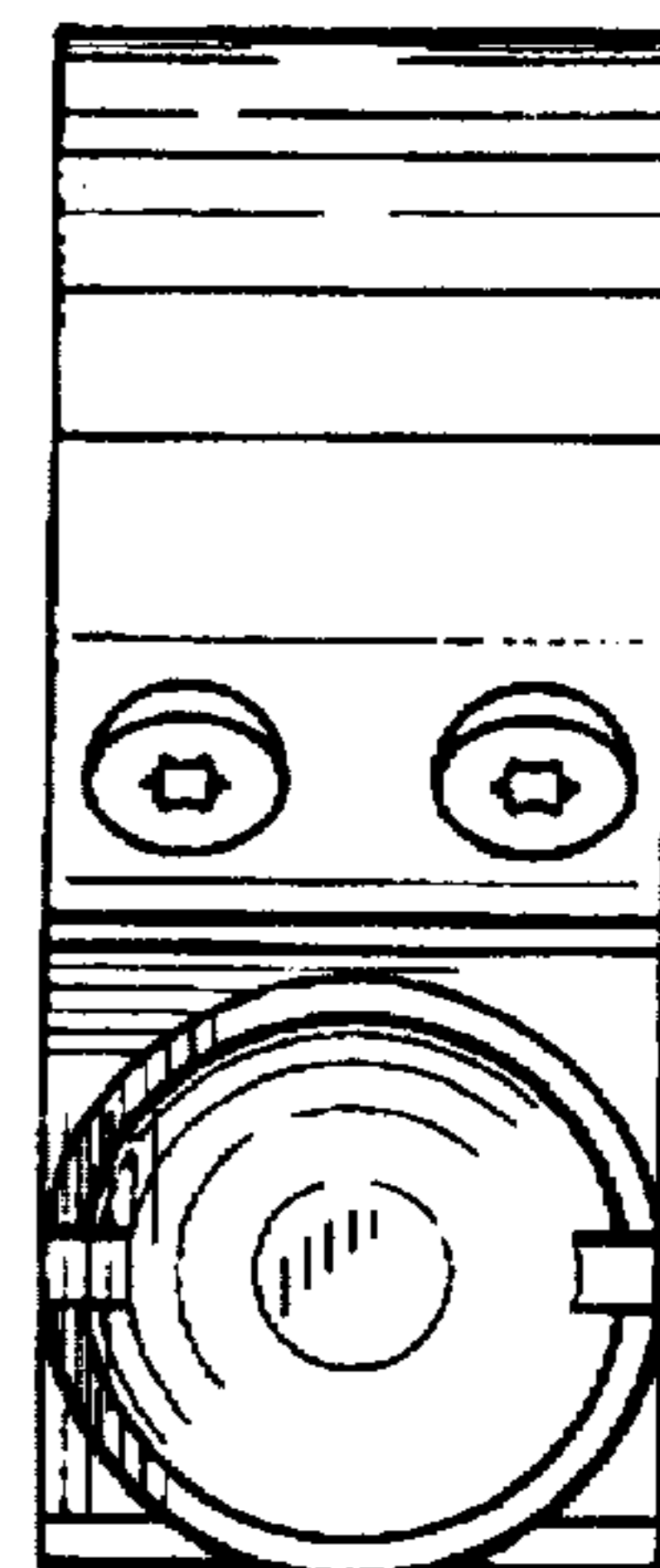


FIG. 18