



US00D391334S

# United States Patent [19]

Plaster et al.

[11] Patent Number: **Des. 391,334**

[45] Date of Patent: **\*\*Feb. 24, 1998**

[54] **SNIPER RIFLE STOCK**

3,830,003 8/1974 Clerke ..... 42/71.01 X  
4,055,016 10/1977 Katsenes ..... 42/71.01

[75] Inventors: **John L. Plaster**, Iron River, Wis.;  
**Garth L. Choate**, Bald Knob, Ark.

*Primary Examiner*—Louis S. Zarfaz  
*Assistant Examiner*—Monica A. Weingart  
*Attorney, Agent, or Firm*—Jerry L. Mahurin

[73] Assignee: **Choate Machine & Tool Co., Inc.**,  
Bald Knob, Ark.

[57] **CLAIM**

[\*\*] Term: **14 Years**

The ornamental design for a sniper rifle stock, as shown and described.

[21] Appl. No.: **63,025**

**DESCRIPTION**

[22] Filed: **Nov. 22, 1996**

[51] LOC (6) Cl. .... **22-01**

[52] U.S. Cl. .... **D22/108; D22/103**

[58] Field of Search ..... D22/100, 103,  
D22/108, 199; D21/145, 146, 147; 42/71.01,  
72, 73, 74

FIG. 1 is an isometric view of our sniper rifle stock;  
FIG. 2 is a top plan view of our sniper rifle stock;  
FIG. 3 is a side elevational view of our sniper rifle stock;  
FIG. 4 is a front elevational view of our sniper stock;  
FIG. 5 is a bottom plan view of our sniper rifle stock;  
FIG. 6 is a side elevational view of our sniper rifle stock with  
the cheekpiece and buttpad disposed in alternate positions;  
and,  
FIG. 7 is a side elevational view of our sniper rifle stock with  
the cheekpiece and buttpad disposed in second alternate  
positions.

[56] **References Cited**

**U.S. PATENT DOCUMENTS**

D. 271,607 11/1983 Aspenwall ..... D22/103  
2,145,078 1/1939 Ferrel ..... 42/72  
2,205,891 6/1940 Sprenger ..... 42/71.01 X  
2,433,151 12/1947 Parsons ..... 42/72

**1 Claim, 3 Drawing Sheets**

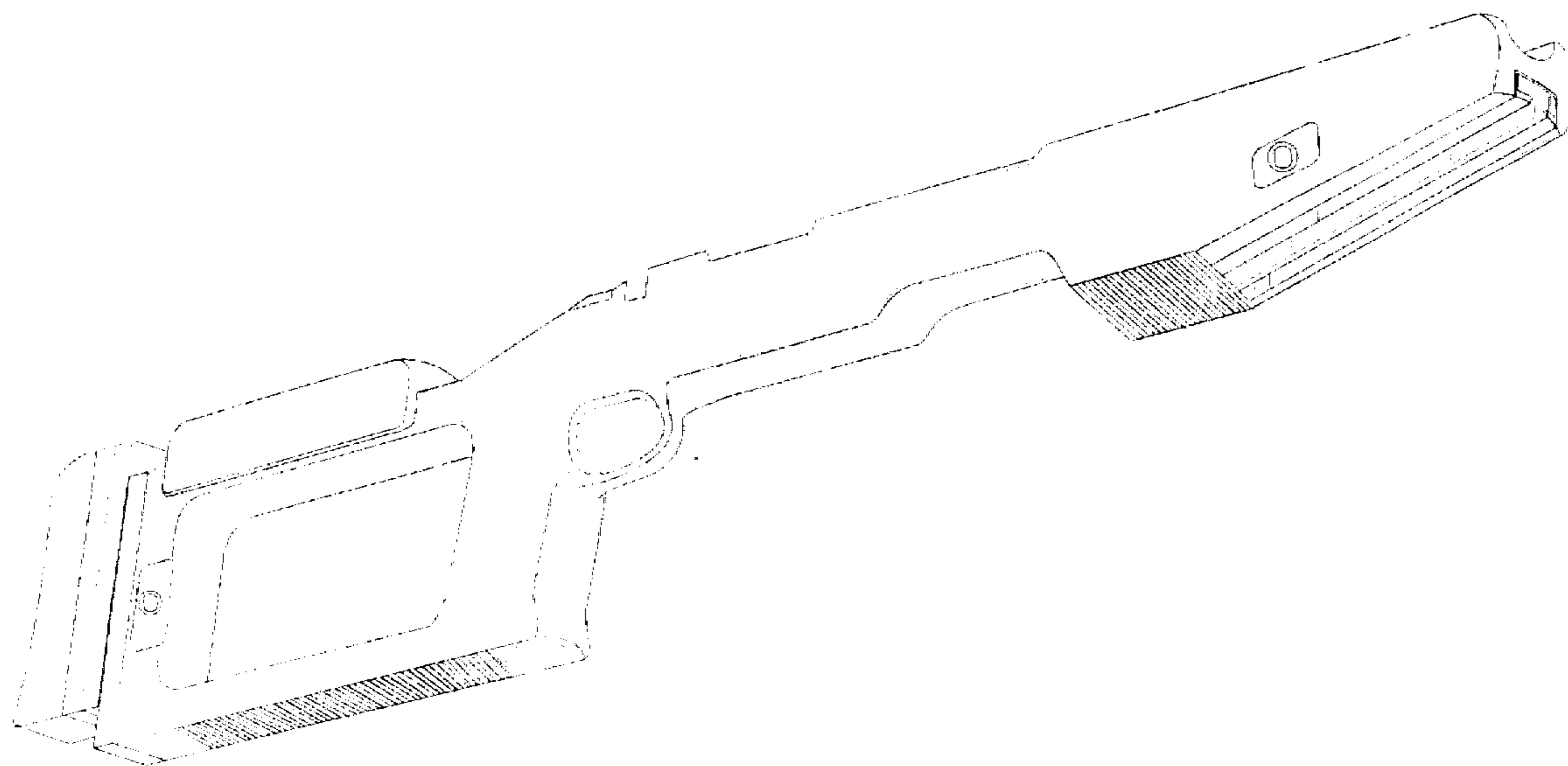


Fig. 1

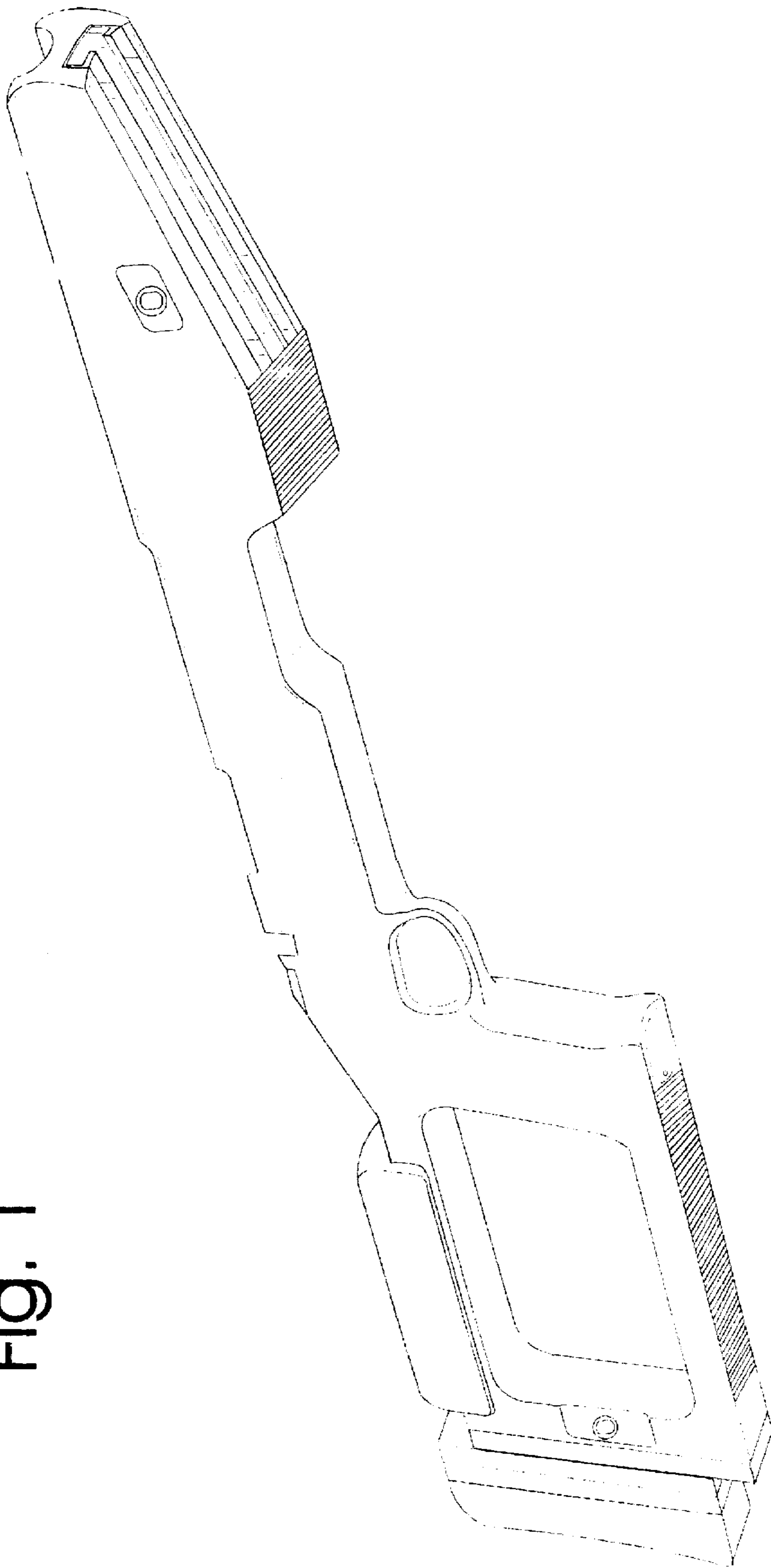


Fig. 2

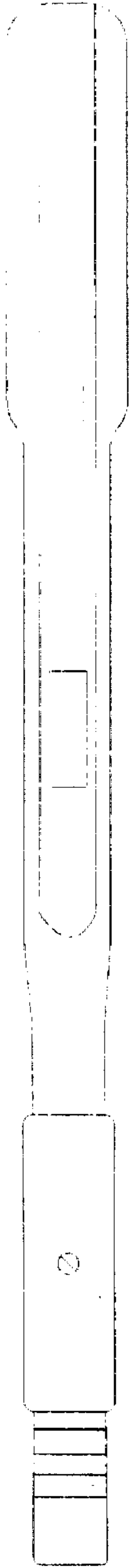


Fig. 3

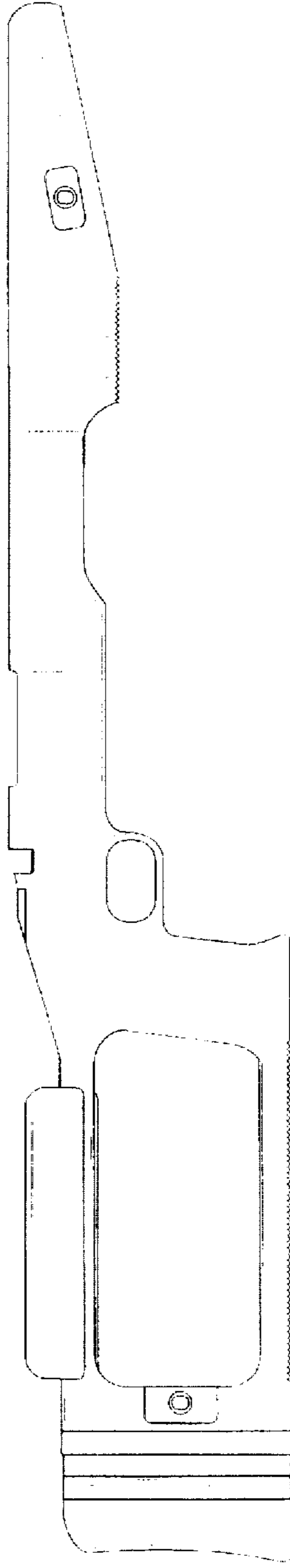


Fig. 4

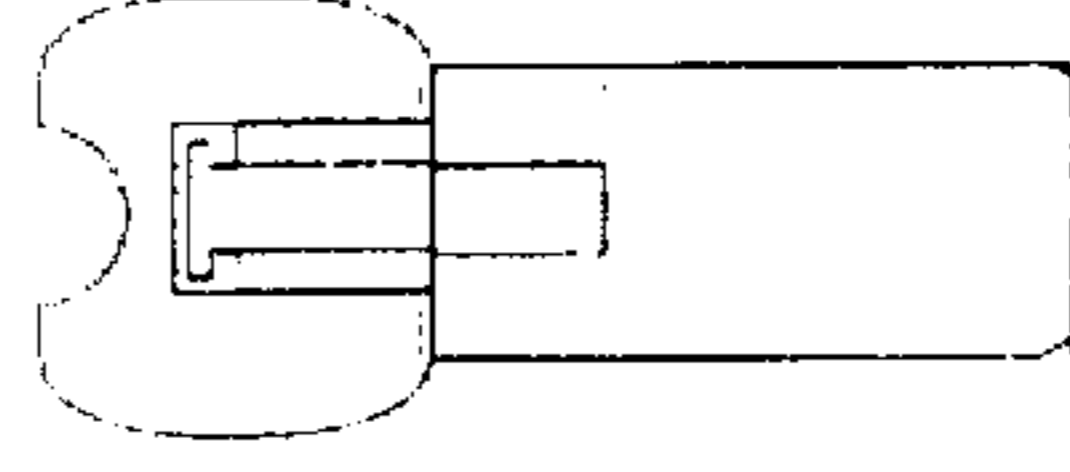


Fig. 5

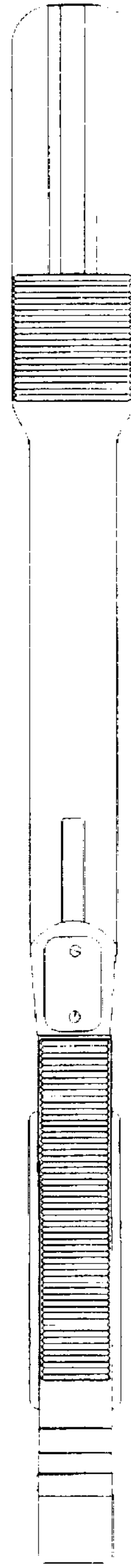


Fig. 6

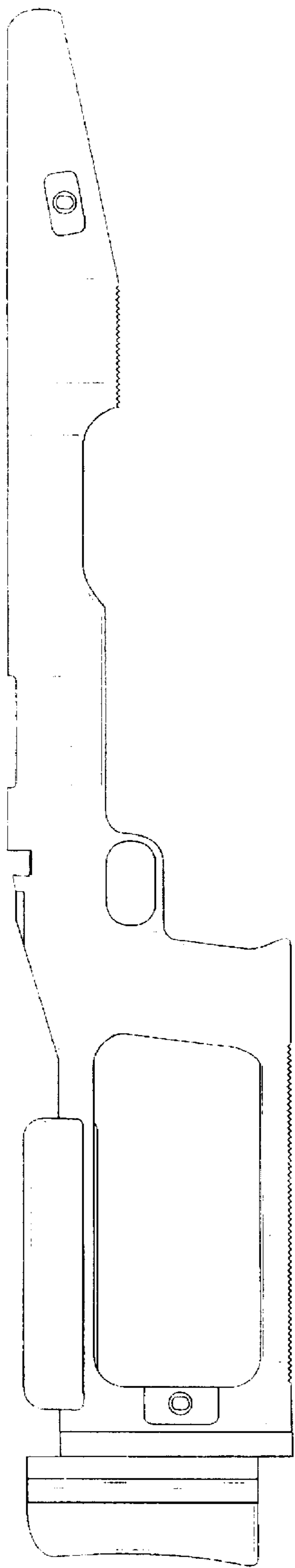


Fig. 7

