



US00D391333S

United States Patent [19]

[11] Patent Number: **Des. 391,333**

Russell et al.

[45] Date of Patent: ****Feb. 24, 1998**

[54] GOLF PRACTICE DEVICE

OTHER PUBLICATIONS

[76] Inventors: **Neil William Russell**, Aberdarc Hotel, 29 Cessnock Road, Weston, NSW 2326; **John Maurice Dunphy**, Unit 1, 1-13 Endeavour Road, Caringbah, NSW 2229, both of Australia; **Wai Sang Lam**, 2/F., No. 186 Sheung Wo Che, Shatin, New Territories, Hong Kong

The Golf Store from Golfsmith; p. 29; "Tee-off", middle left of page, May 1993.

Primary Examiner—Ted Shooman
Assistant Examiner—Mitchell I. Siegel
Attorney, Agent, or Firm—Jenkins & Gilchrist, P.C.

[**] Term: **14 Years**

[57] CLAIM

[21] Appl. No.: **67,793**

The ornamental design for a golf practice device, as shown and described.

[22] Filed: **Mar. 12, 1997**

DESCRIPTION

[30] Foreign Application Priority Data

FIG. 1 is a perspective view of a golf practice device showing our new design;

Sep. 12, 1996 [GB] United Kingdom 2059277

FIG. 2 is an enlarged top plan view thereof;

[51] LOC (6) Cl. **21-02**

FIG. 3 is a front elevational view of FIG. 2;

[52] U.S. Cl. **D21/234**

FIG. 4 is a right side elevational view of FIG. 2;

[58] Field of Search D21/234, 210;
473/139, 393

FIG. 5 is a left side elevational view of FIG. 2;

FIG. 6 is a rear elevational view of FIG. 2; and,

FIG. 7 is a perspective view of FIG. 2.

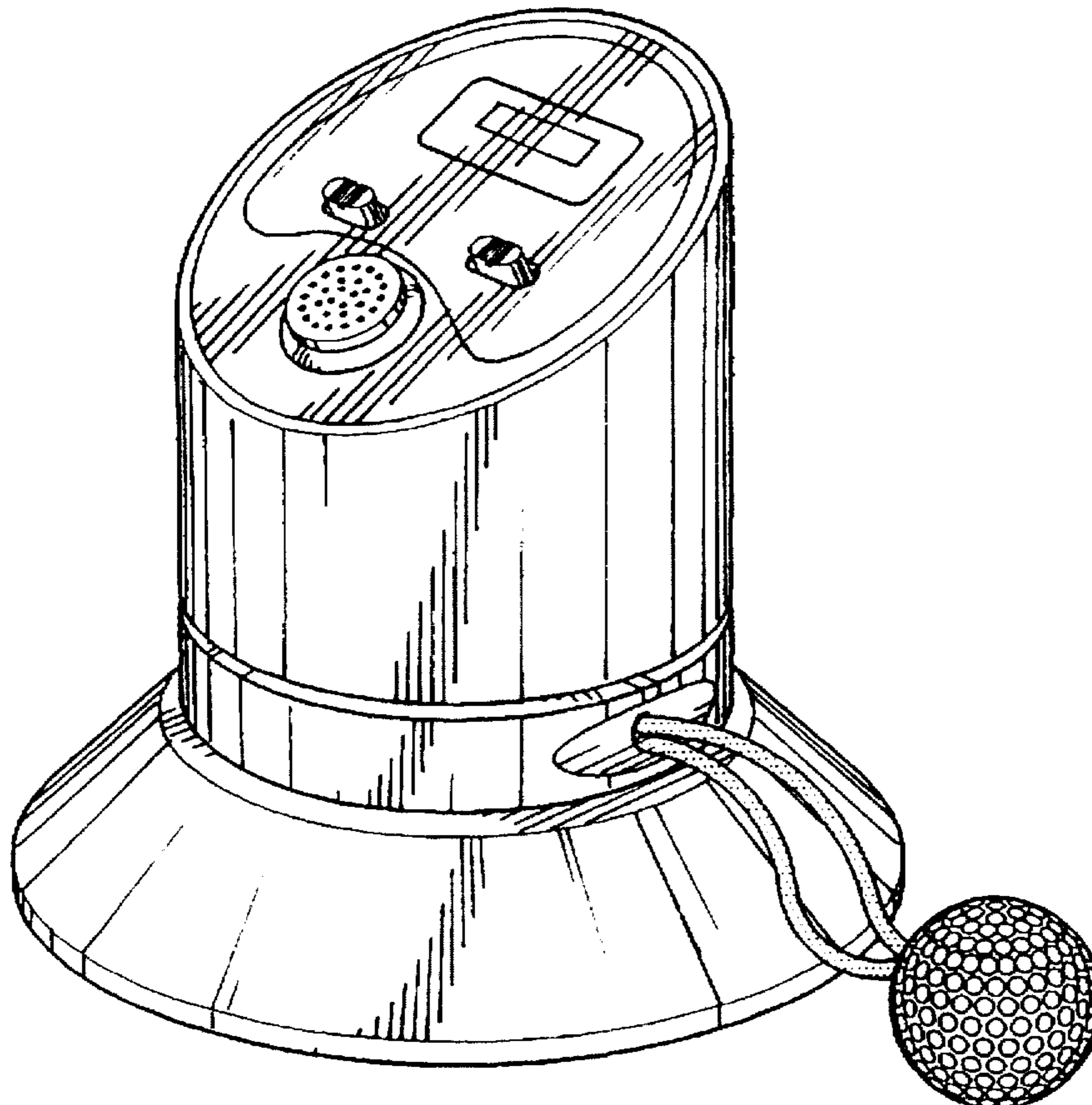
[56] References Cited

The item shown in phantom lines depicts the environment of our new design and forms no part of the design of our invention.

U.S. PATENT DOCUMENTS

D. 248,685 7/1978 Brown D21/210 X
D. 349,937 8/1994 Hill D21/234
2,529,771 11/1950 Herman D21/234 X

1 Claim, 4 Drawing Sheets



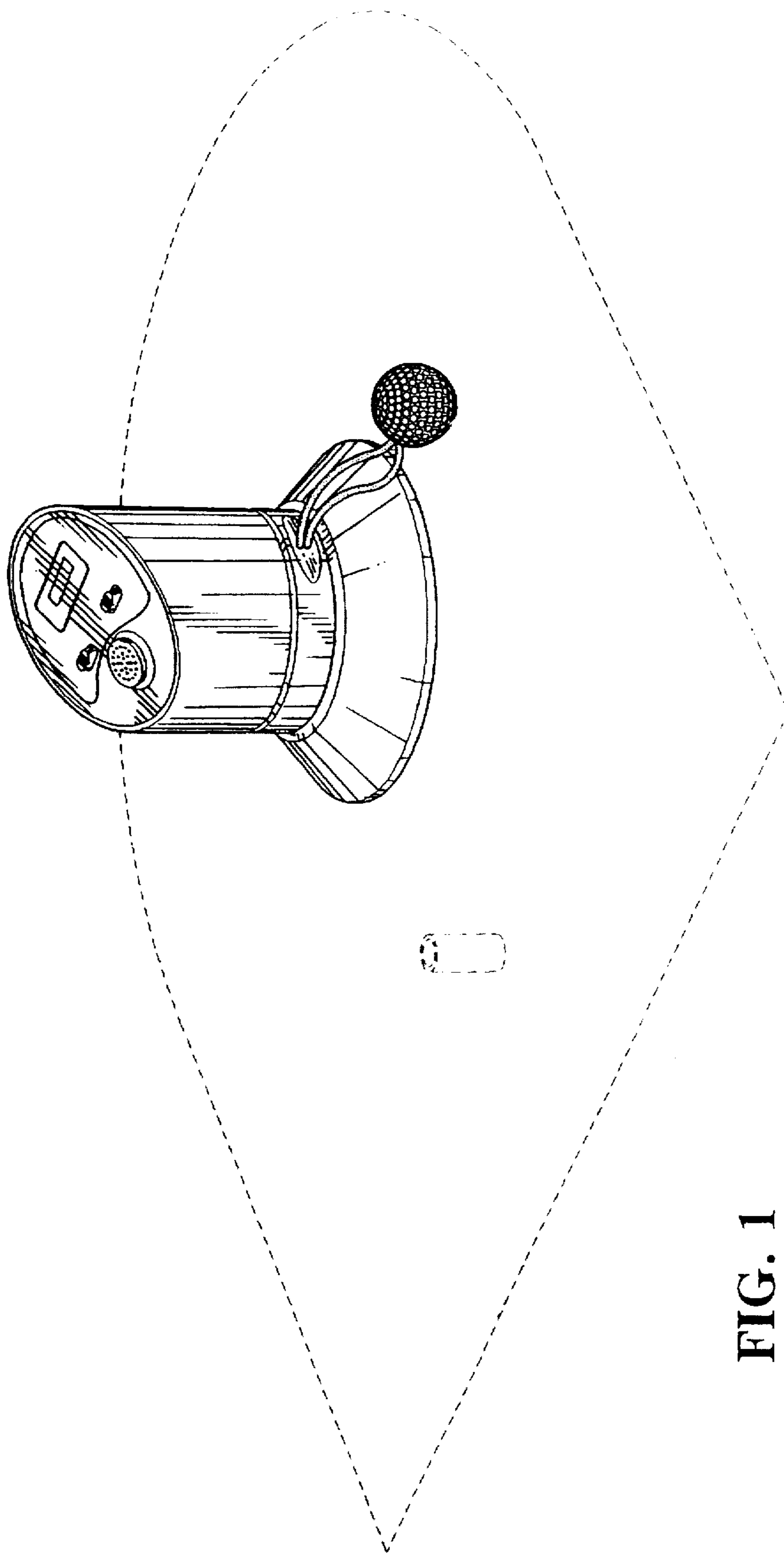


FIG. 1

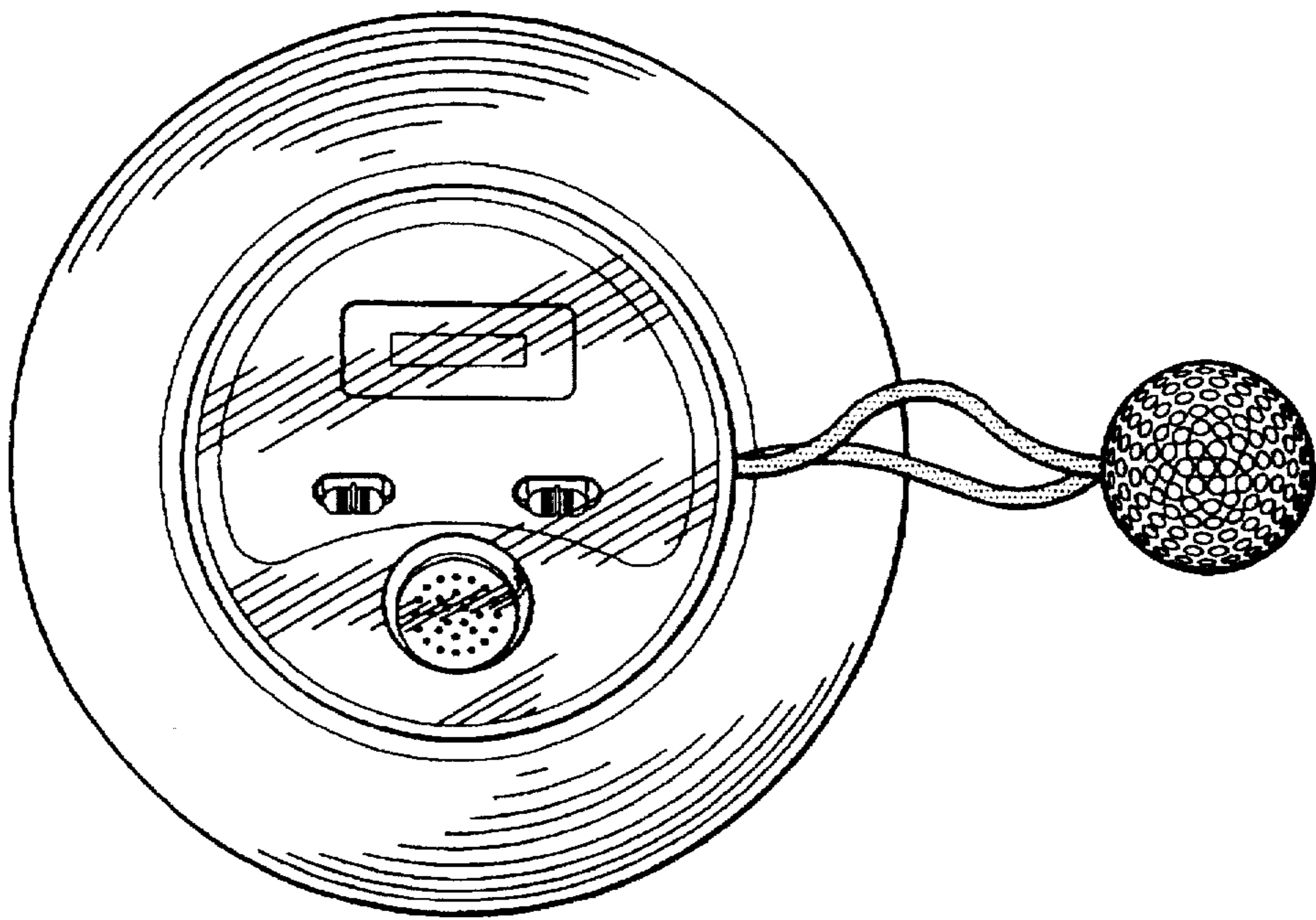


FIG. 2

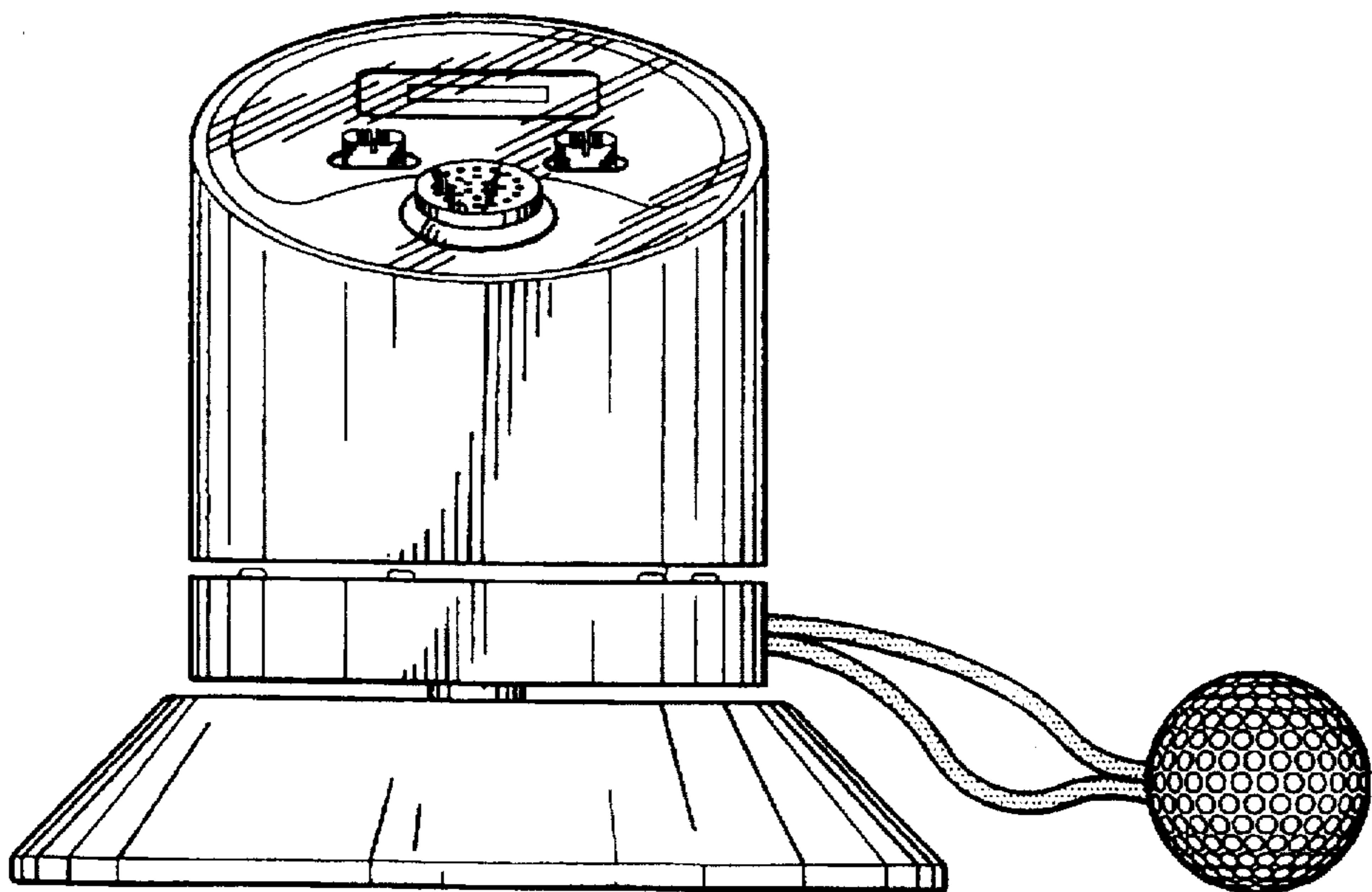


FIG. 3

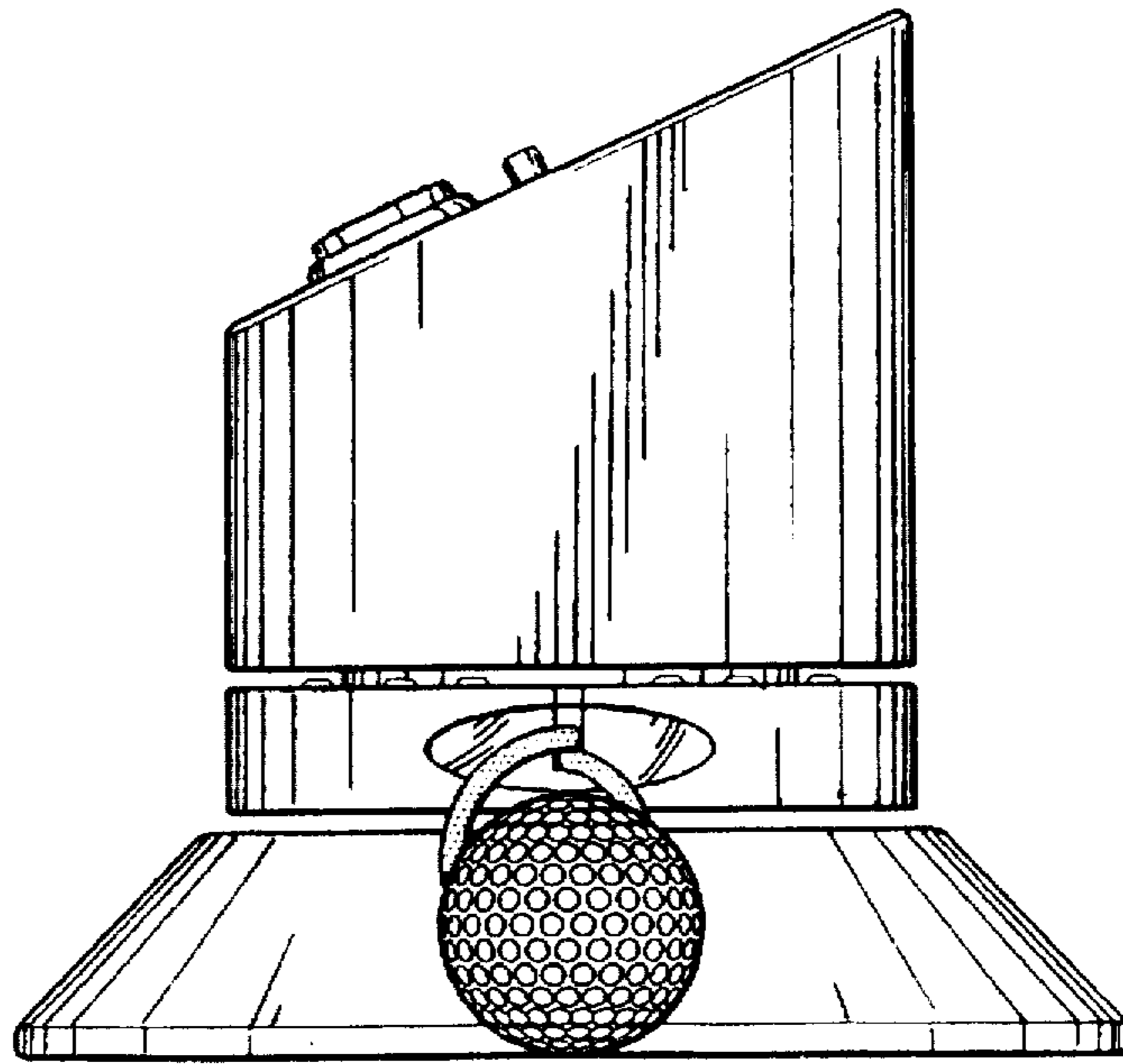


FIG. 4

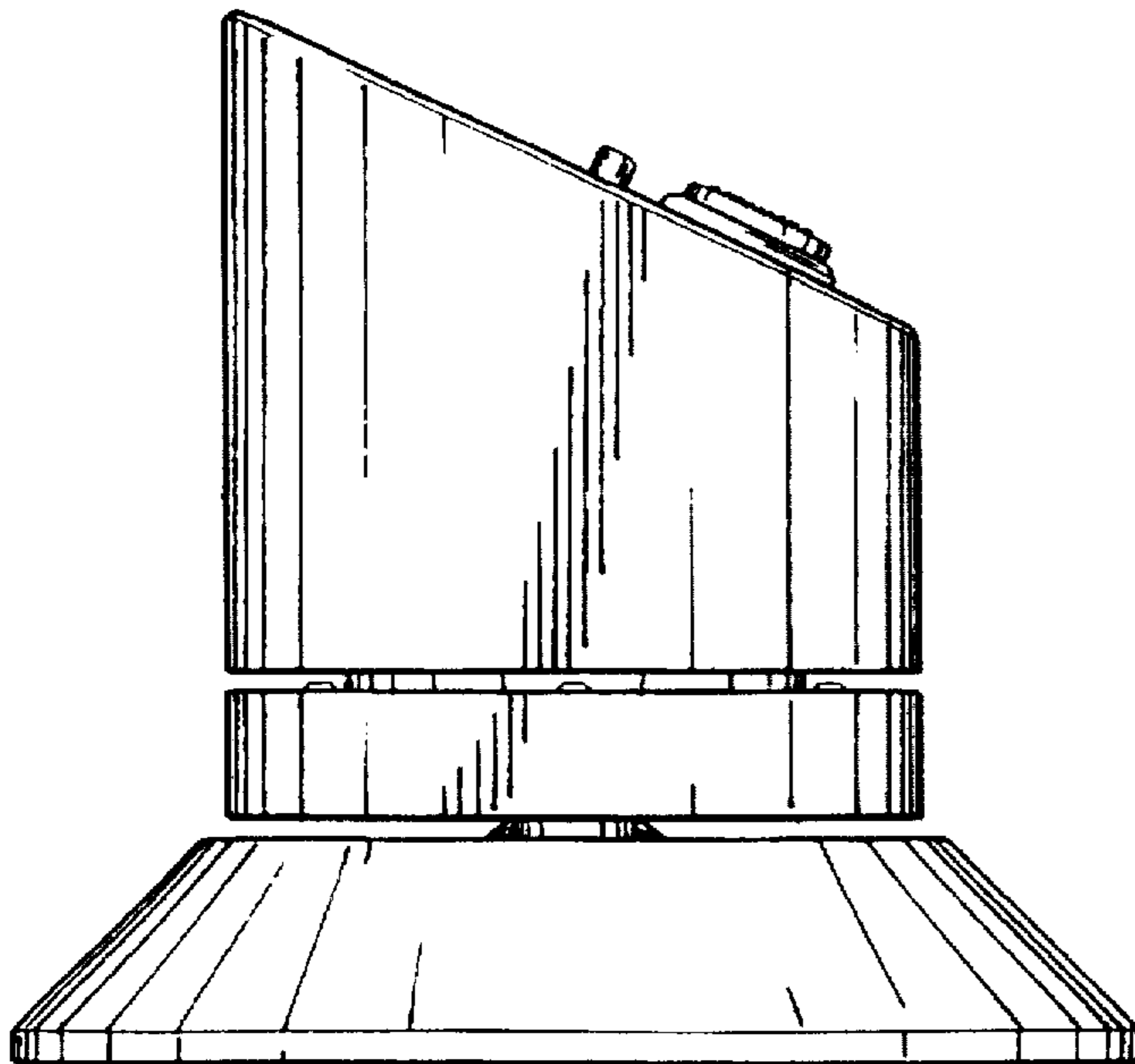


FIG. 5

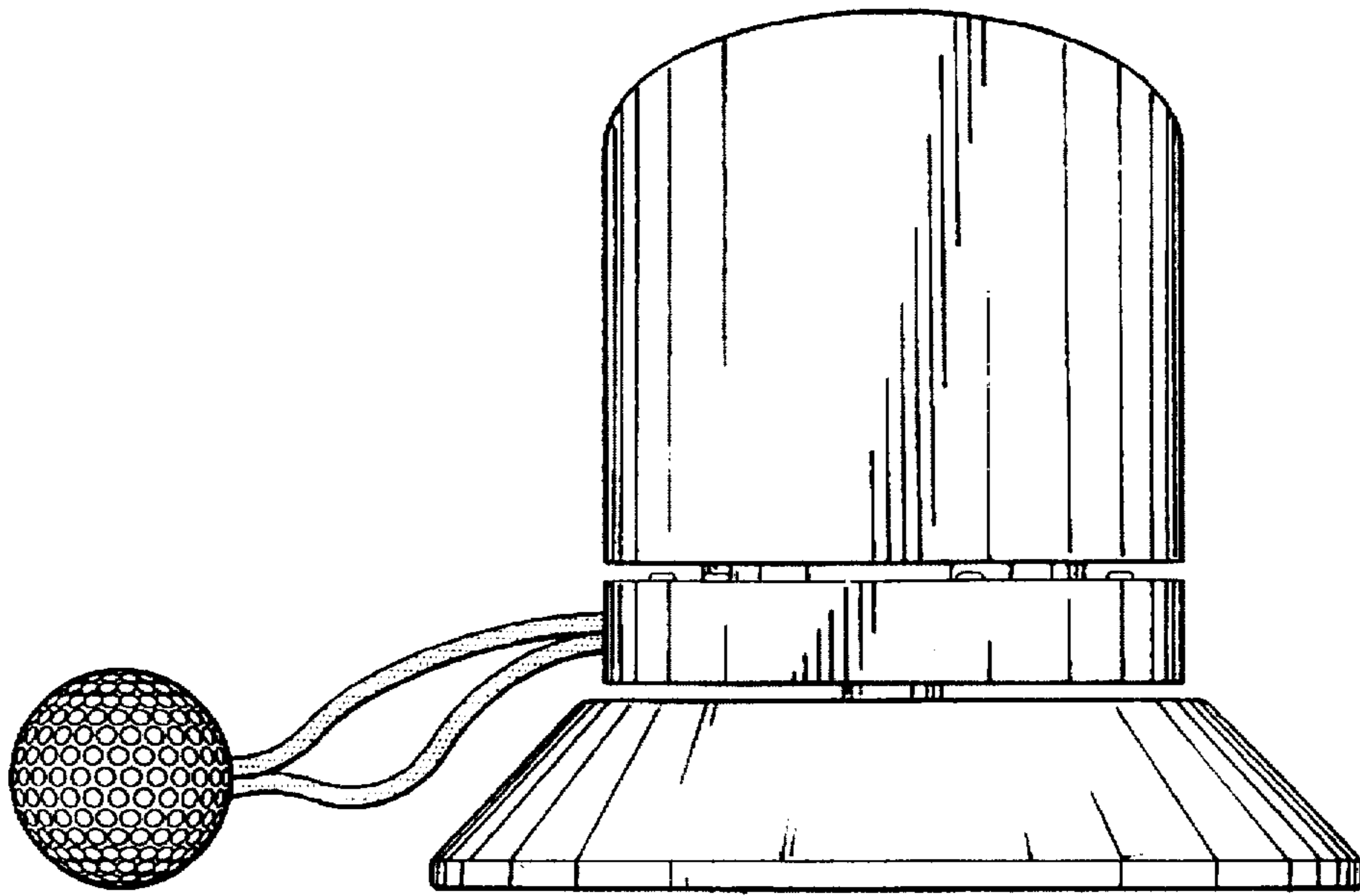


FIG. 6

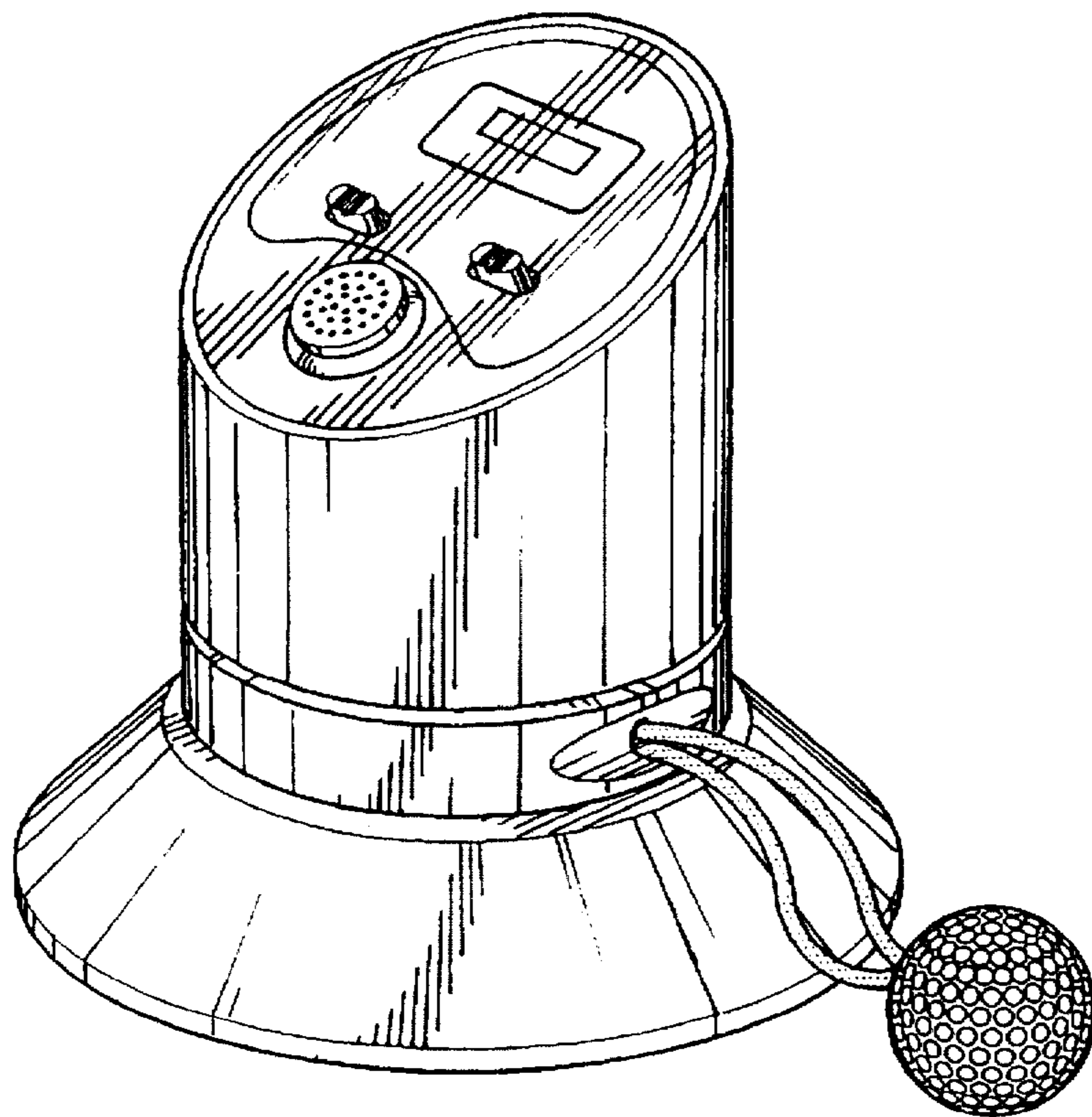


FIG. 7