



US00D391332S

United States Patent [19]
Williams

[11] **Patent Number: Des. 391,332**
[45] **Date of Patent: **Feb. 24, 1998**

[54] **GOLF BALL DISPENSER**

[76] **Inventor: Willard B. Williams, 375 R.D. #2
Mitchell Rd., West Middlesex, Pa.
16159**

[**] **Term: 14 Years**

[21] **Appl. No.: 65,415**

[22] **Filed: Mar. 18, 1997**

[51] **LOC (6) Cl. 21-02**

[52] **U.S. Cl. D21/234**

[58] **Field of Search D21/234; 473/132,
473/137**

[56] **References Cited**

U.S. PATENT DOCUMENTS

- D. 344,996 3/1994 Nomura D21/234 X
- D. 345,193 3/1994 Keene, Sr. D21/234
- D. 351,002 9/1994 Park D21/234

Primary Examiner—Ted Shooman
Assistant Examiner—Mitchell I. Siegel
Attorney, Agent, or Firm—Penrose Lucas Albright

[57] **CLAIM**

The ornamental design for a golf ball dispenser, as shown and described.

DESCRIPTION

FIG. 1 is a perspective view of the golf ball dispenser in accordance with the invention;

FIG. 2 is a front elevational view of the invention;

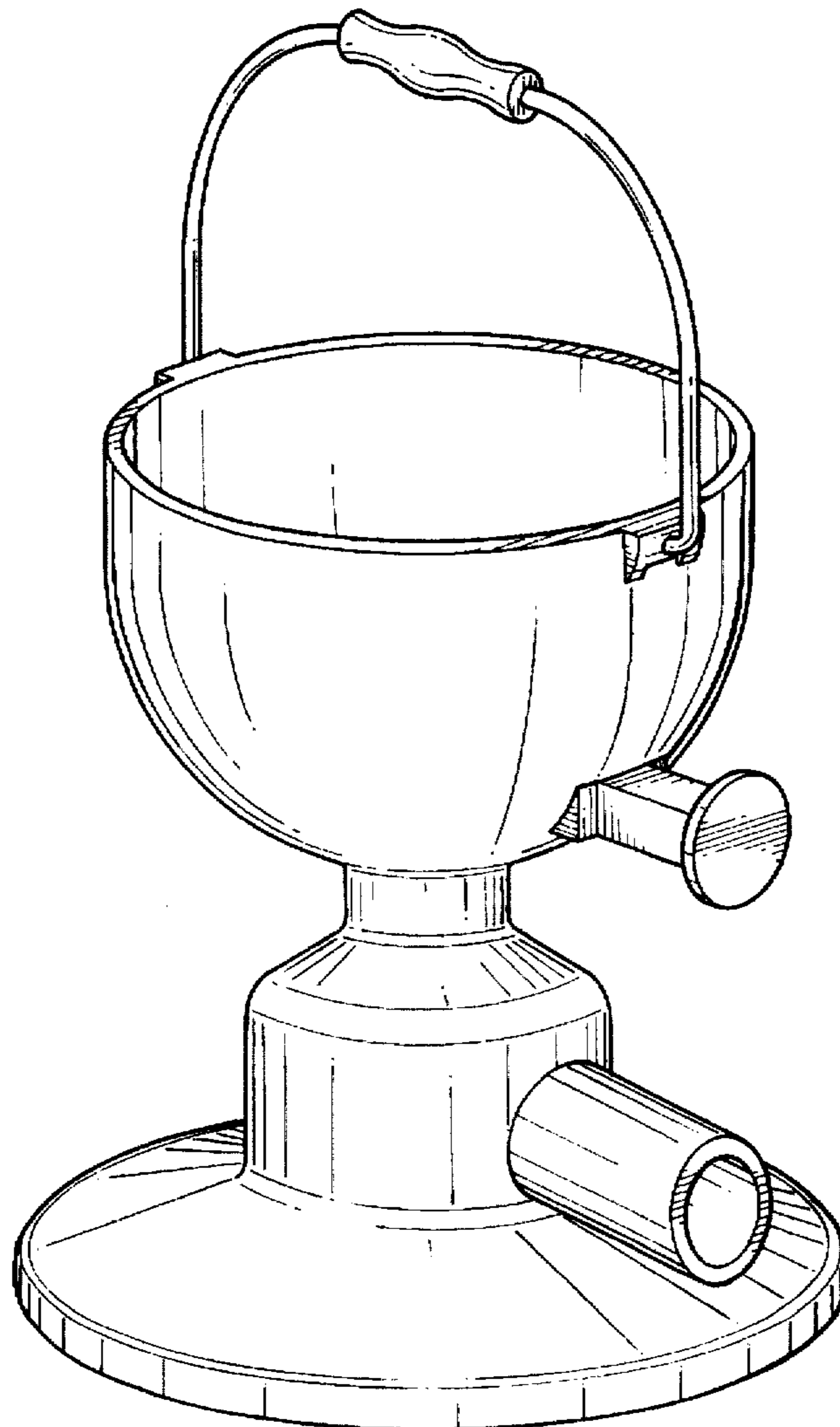
FIG. 3 is a left side elevational view of the invention, the undisclosed opposite side being a mirror image;

FIG. 4 is a rear elevational view of the invention;

FIG. 5 is a top plan view of the invention; and,

FIG. 6 is a bottom view of the invention.

1 Claim, 6 Drawing Sheets



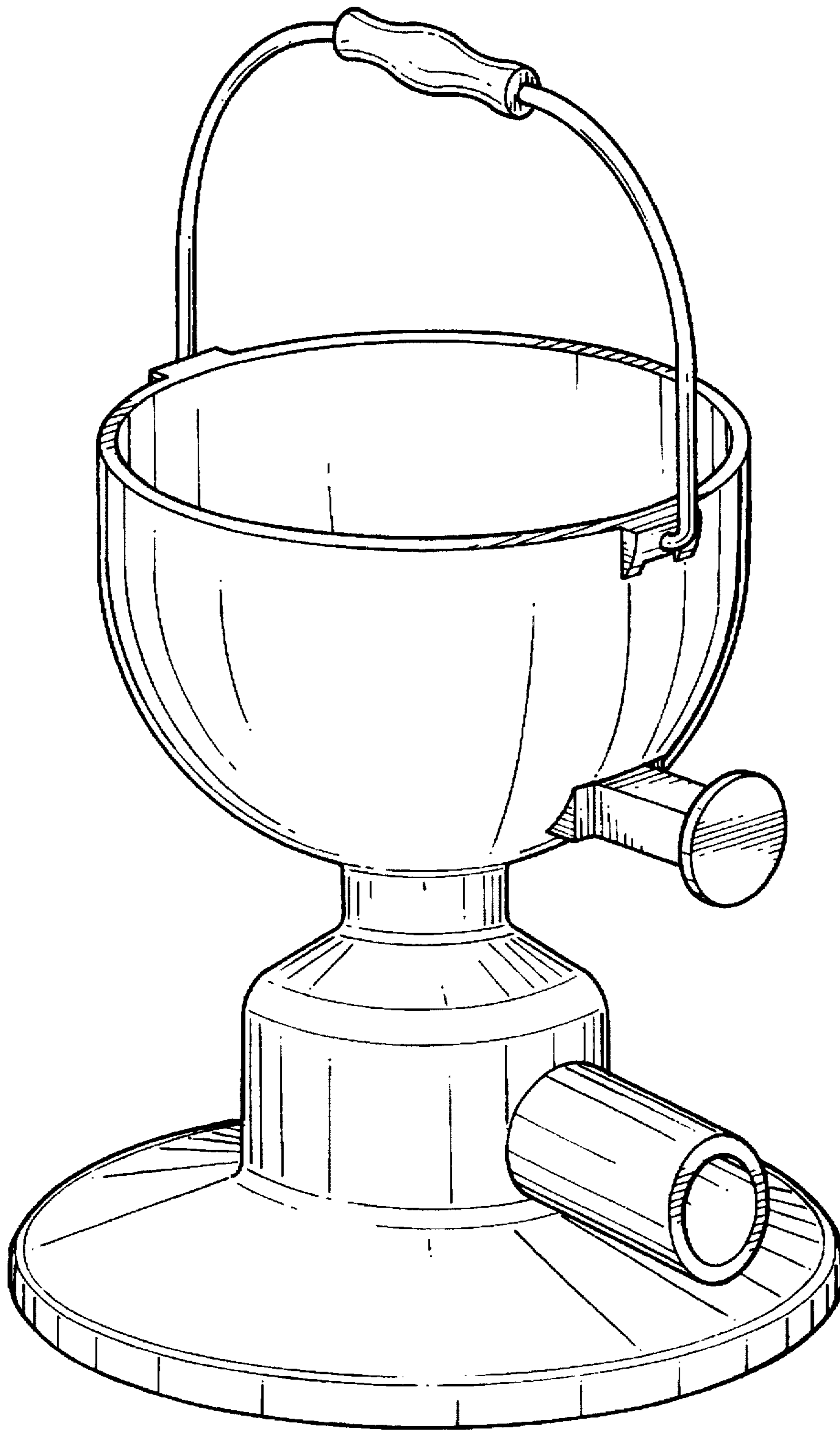


FIG. 1

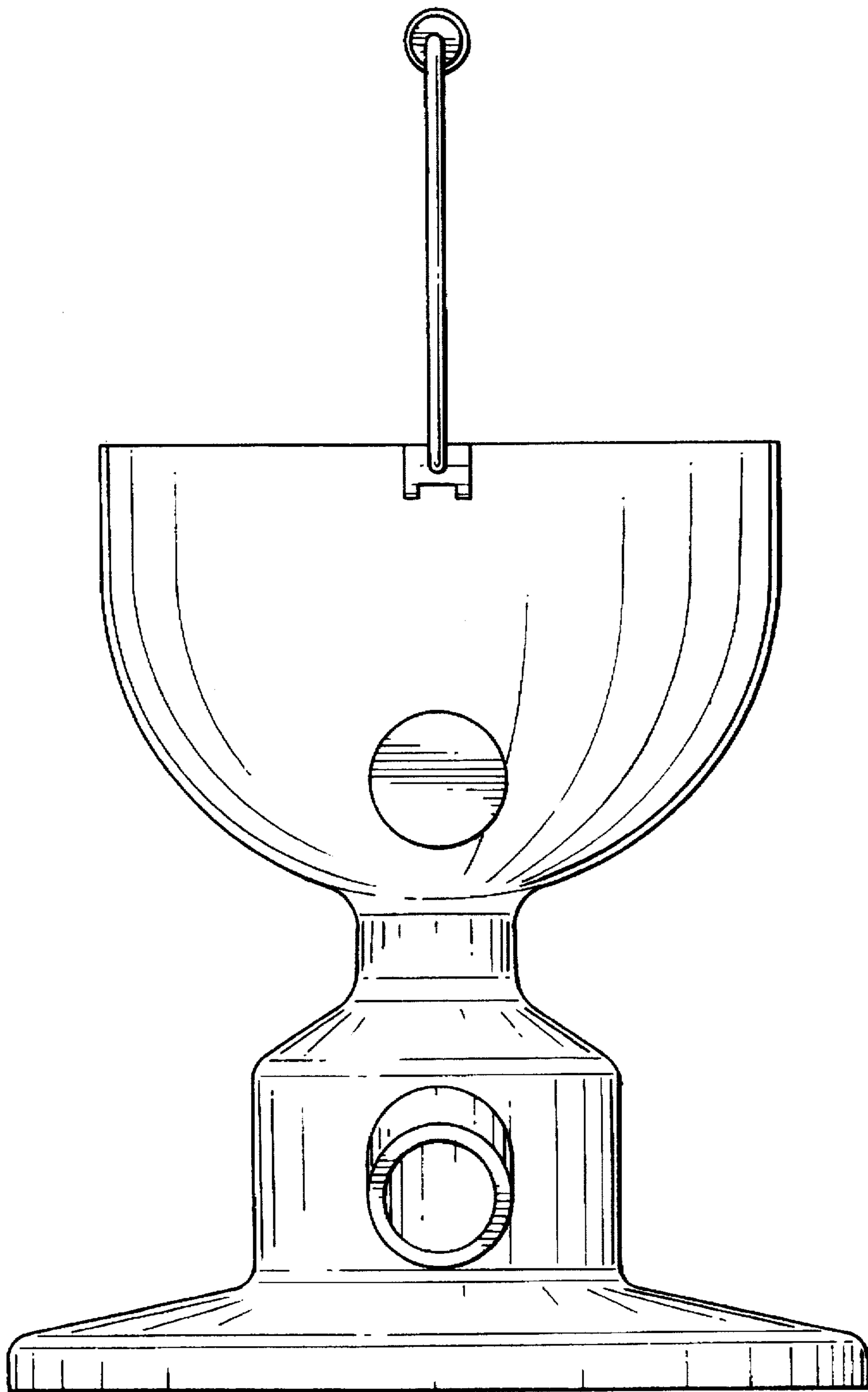


FIG. 2

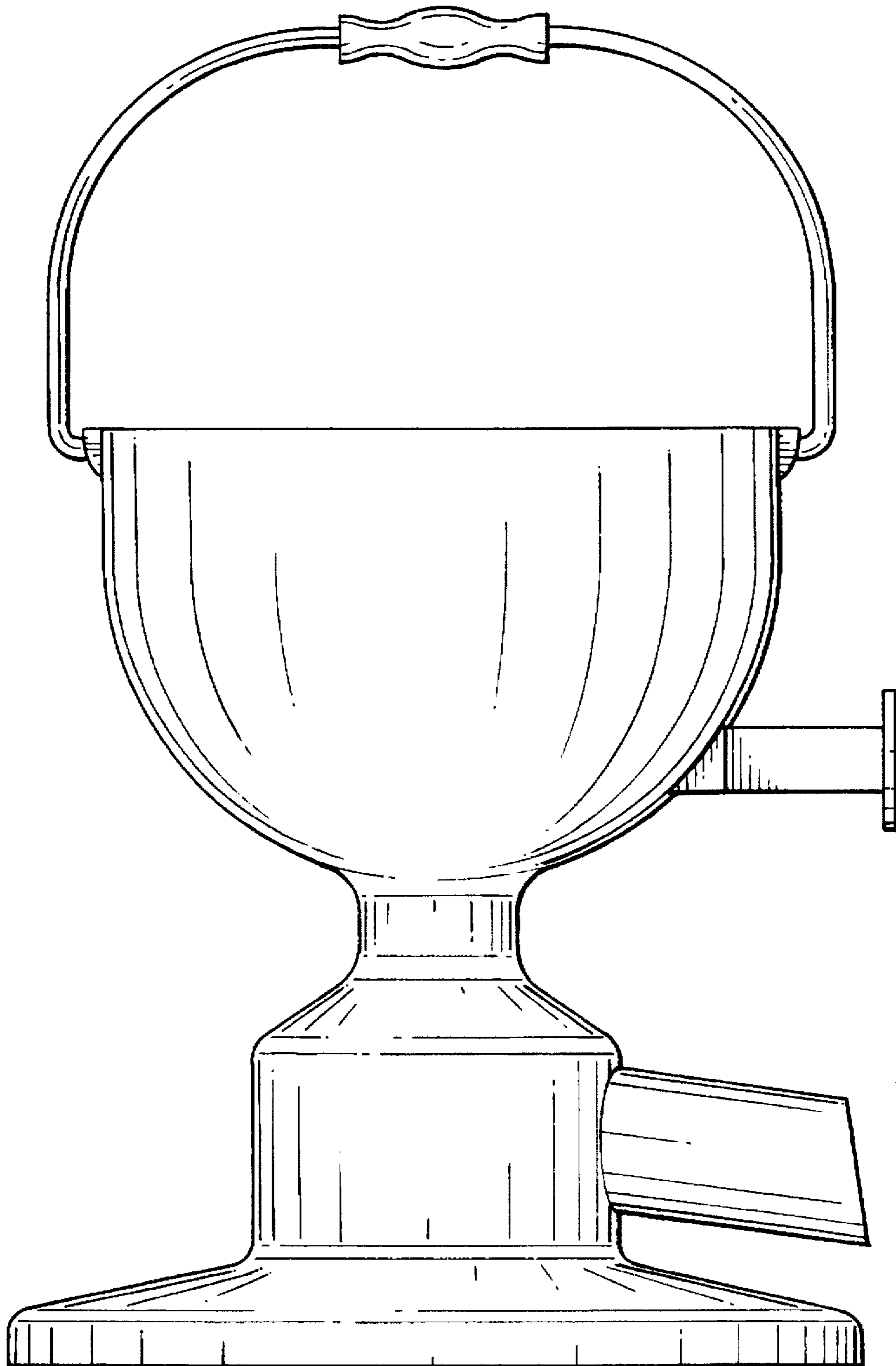


FIG. 3

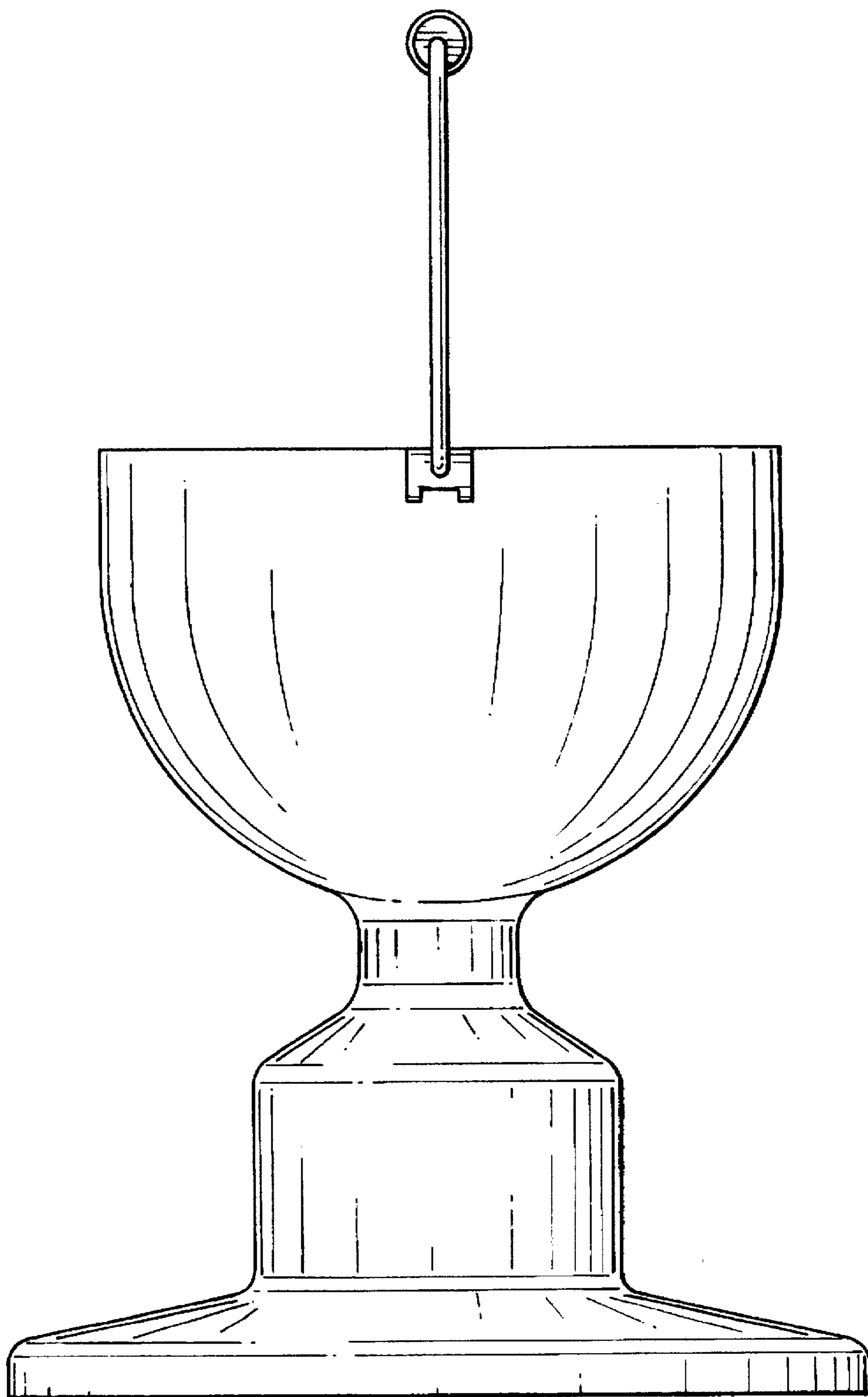


FIG. 4

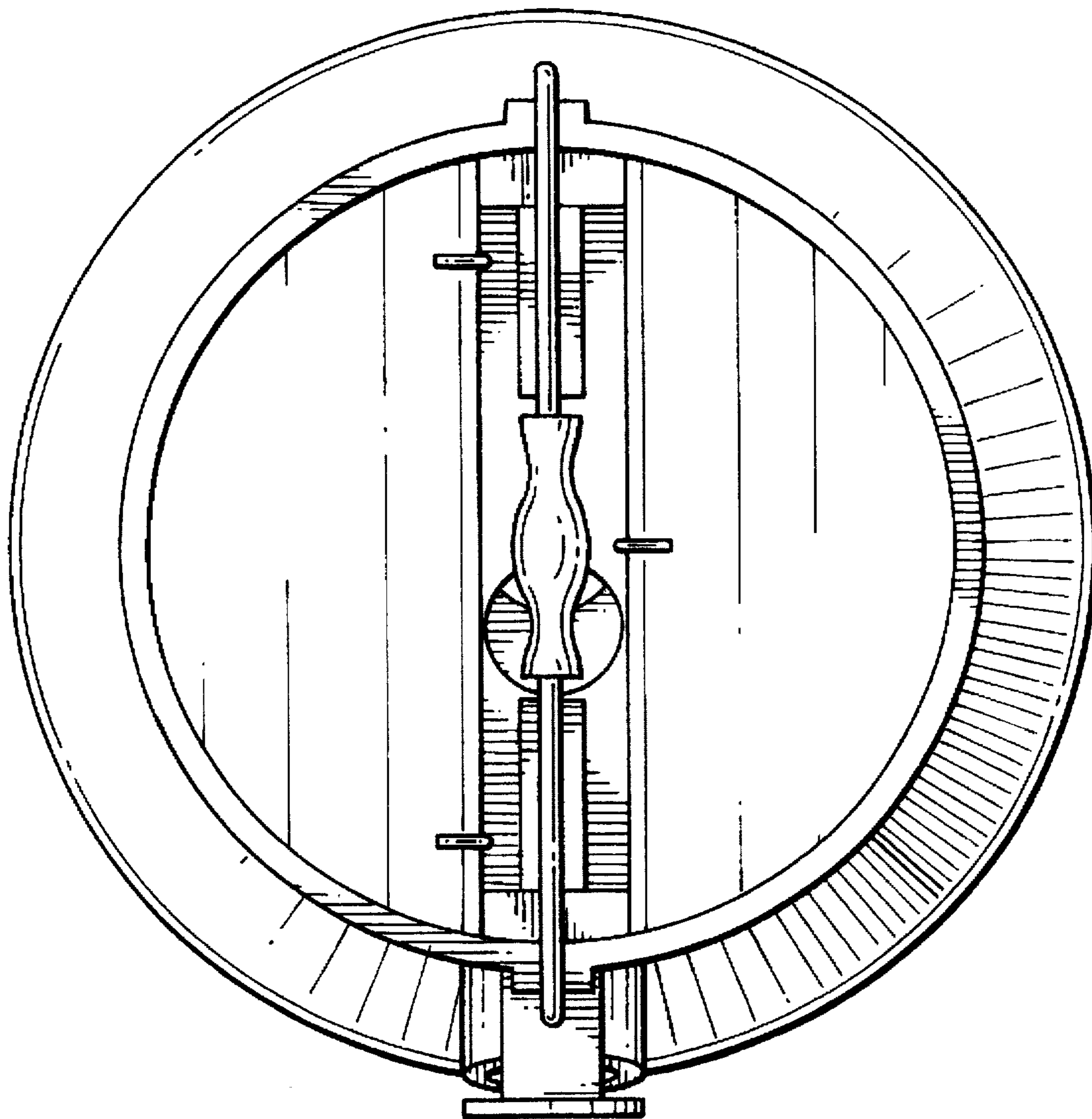


FIG. 5

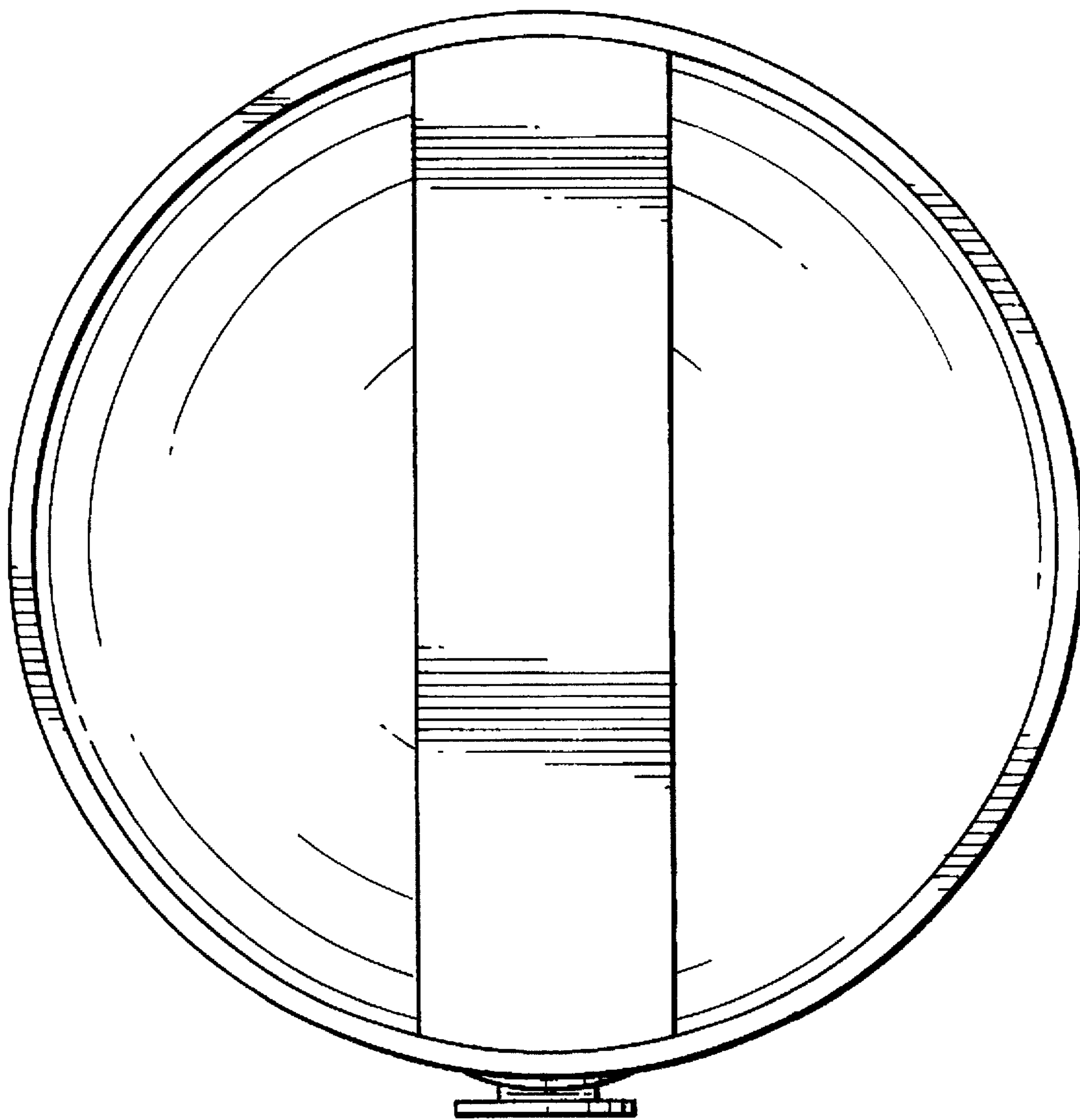


FIG. 6