



US00D391331S

United States Patent [19]
Lee

[11] **Patent Number: Des. 391,331**
[45] **Date of Patent: **Feb. 24, 1998**

[54] **HIGH PERFORMANCE CORE FOR AN IN-LINE ROLLER SKATE WHEEL**
[76] **Inventor: Charles J. Lee, 11404 Prescott La., Westchester, Ill. 60154**
[**] **Term: 14 Years**
[21] **Appl. No.: 55,688**
[22] **Filed: Jun. 11, 1996**
[51] **LOC (6) Cl. 21-02**
[52] **U.S. Cl. D21/226**
[58] **Field of Search D21/224-231, D21/141; D12/207, 208; 280/11.19, 11.2, 11.22, 11.26, 11.27; 301/5.3, 5.4, 5.7**

5,183,276 2/1993 Pratt 280/11.22
5,190,301 3/1993 Malewicz 280/11.22
5,199,727 4/1993 Lai 280/11.2
5,207,454 5/1993 Blankenburg et al. 280/843
5,271,633 12/1993 Hill, Jr. 280/809
5,286,043 2/1994 Tkaczyk 280/11.22
5,303,940 4/1994 Brandner 280/11.22
5,308,152 5/1994 Ho 301/5.3
5,310,250 5/1994 Gonsior 301/5.3
5,312,844 5/1994 Gonsior et al. 301/5.3
5,320,417 6/1994 Trosky 301/5.3
5,356,209 10/1994 Hill 301/5.7
5,374,072 12/1994 Landers 280/11.2
5,401,037 3/1995 O'Donnell et al. 280/11.2
5,460,433 10/1995 Hawley 280/11.22
5,470,086 11/1995 Peterson et al. 280/11.22

Primary Examiner—Raphael Barkai
Attorney, Agent, or Firm—Thomas W. Tolpin

[56] **References Cited**

U.S. PATENT DOCUMENTS

D. 341,863 11/1993 Cavasin D21/226
D. 342,113 12/1993 Cavasin D21/226
D. 343,669 1/1994 Pratt D21/226
D. 345,405 3/1994 Cavasin D21/226
D. 346,192 4/1994 Miller et al. D21/226
D. 346,633 5/1994 Conte D21/226
D. 347,672 6/1994 Arney et al. D21/226
D. 364,841 12/1995 Brannan et al. D12/207
4,114,952 9/1978 Kimmell 301/5.7
4,909,523 3/1990 Olson 280/11.2
5,048,848 9/1991 Olson et al. 180/11.22
5,068,956 12/1991 Malewicz 29/437

[57] **CLAIM**

The ornamental designs for a high performance core for an in-line roller skate wheel, as shown.

DESCRIPTION

FIG. 1 is a perspective view of a high performance core for an in-line roller skate wheel showing my new design; FIG. 2 is a front view thereof, the back view being identical thereto; and, FIG. 3 is a right side view thereof, the left side view, top view, and bottom view being identical thereto.

1 Claim, 2 Drawing Sheets

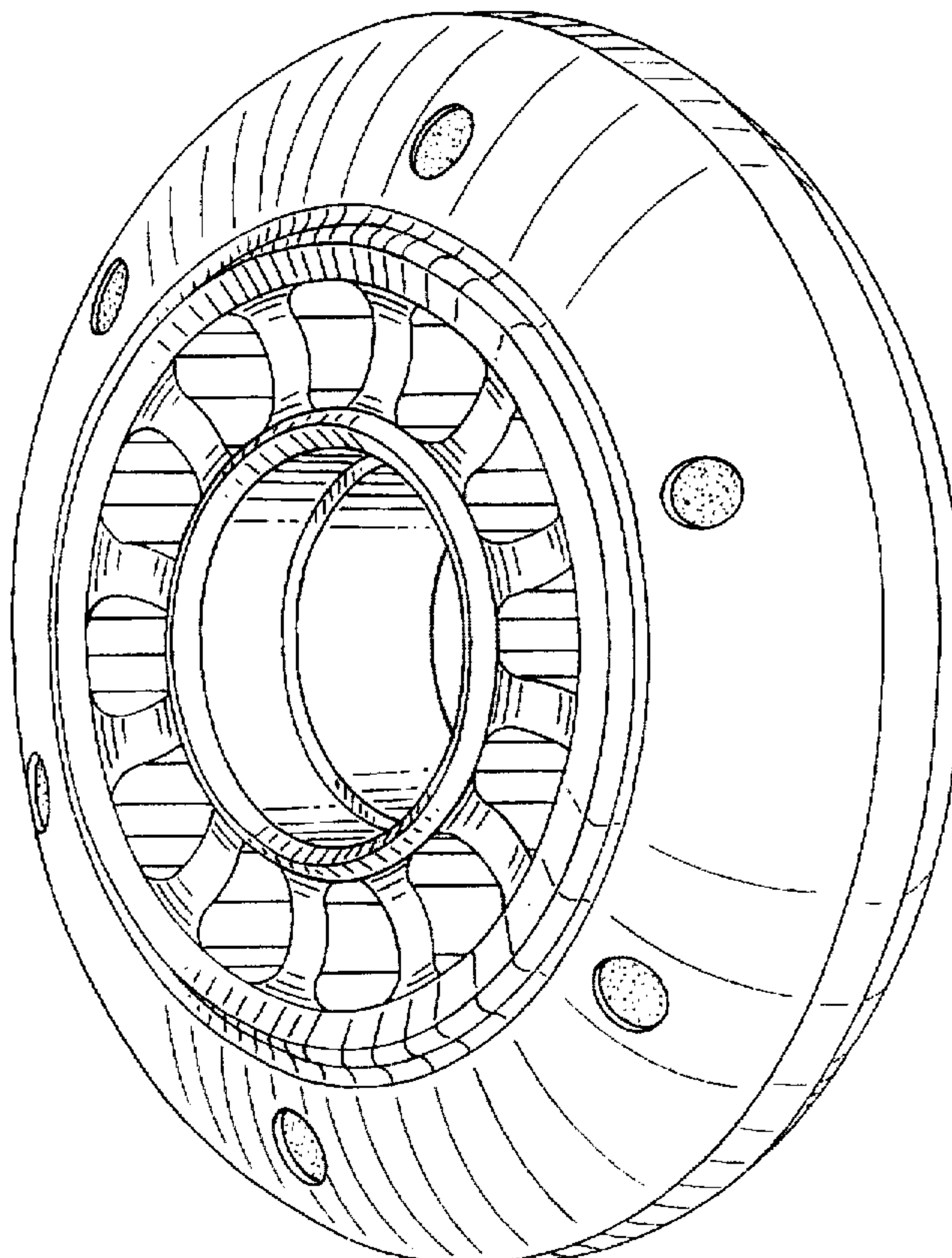
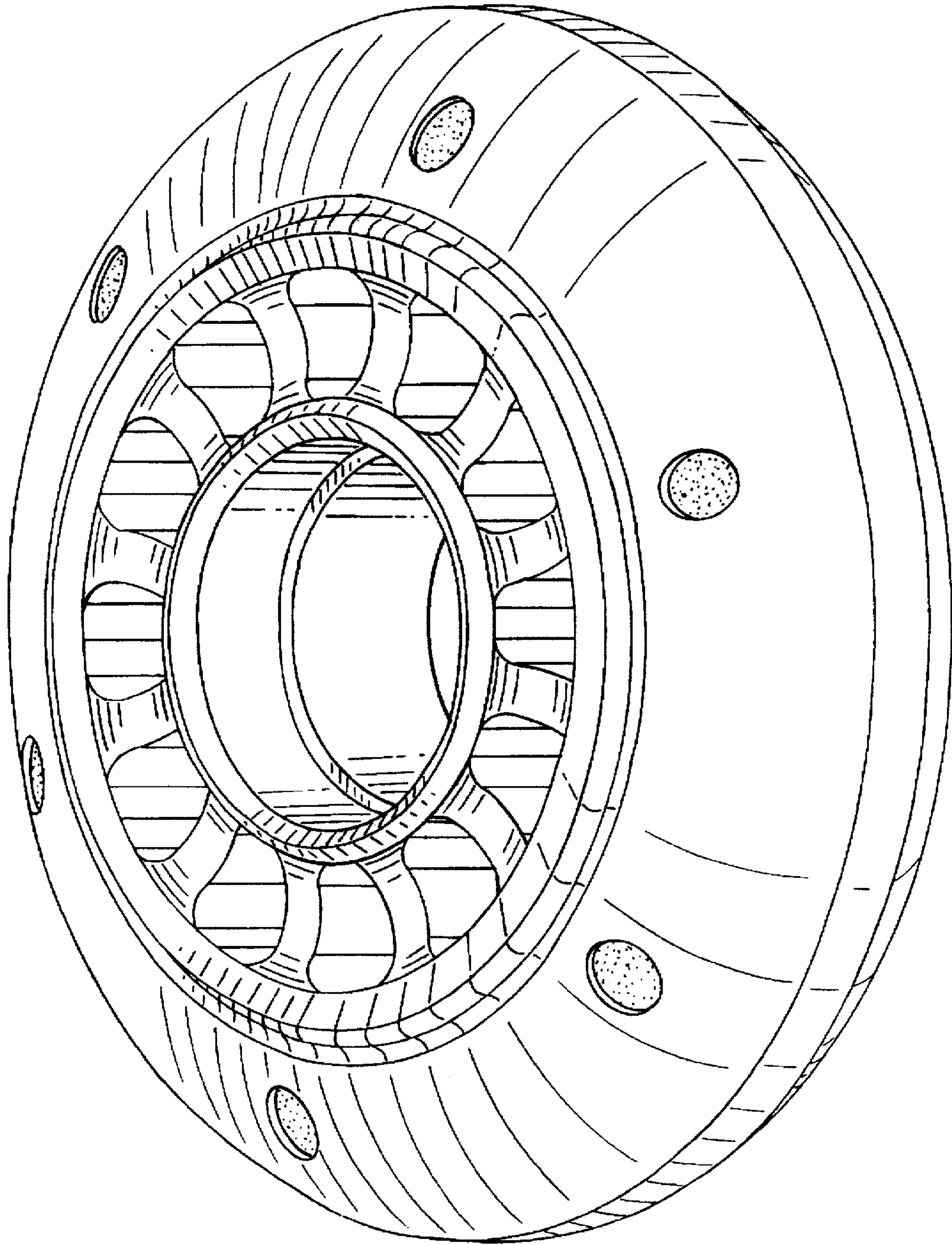


FIG. 1



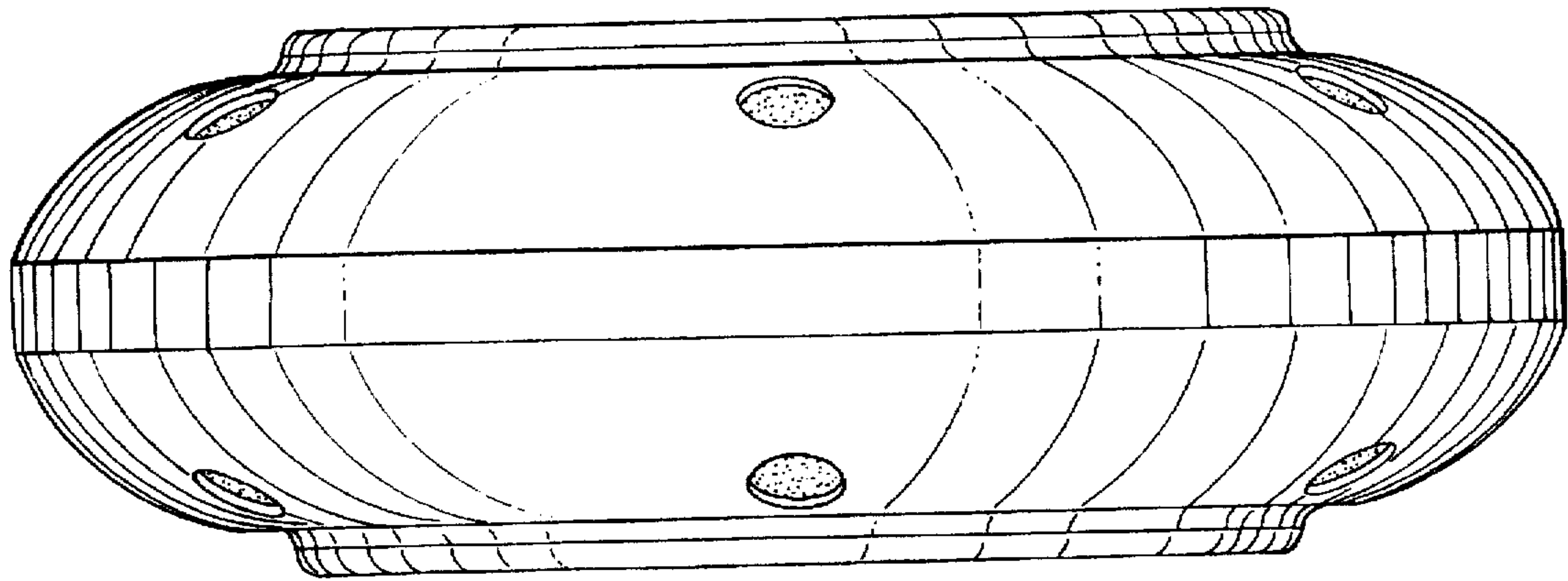


FIG. 3

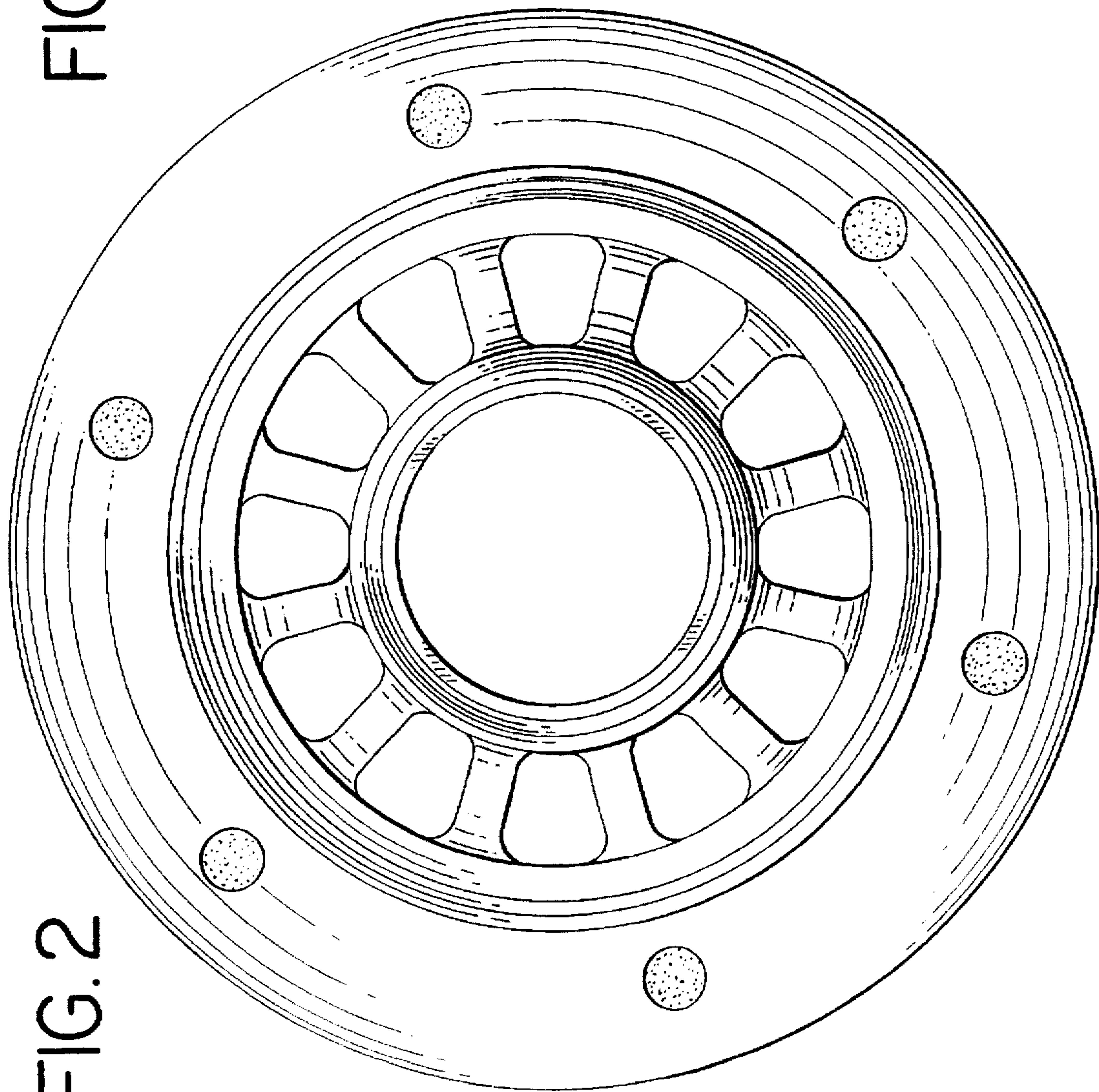


FIG. 2