



US00D391329S

**United States Patent** [19]  
**English**

[11] **Patent Number:** **Des. 391,329**  
[45] **Date of Patent:** **\*\*Feb. 24, 1998**

[54] **GOLF CLUB HEAD**  
[75] **Inventor:** **Cort English**, Clovis, Calif.  
[73] **Assignee:** **Robert Bosch GmbH**, Stuttgart,  
Germany  
[\*\*] **Term:** **14 Years**  
[21] **Appl. No.:** **57,127**  
[22] **Filed:** **Jul. 17, 1996**  
[51] **LOC (6) Cl.** ..... **21-02**  
[52] **U.S. Cl.** ..... **D21/218**  
[58] **Field of Search** ..... **D21/217-219;**  
**473/251-256, 340, 341, 328**

5,433,441 7/1995 Olsen et al. .... D21/218 X  
5,527,035 6/1996 Marshall ..... 473/328

*Primary Examiner*—Raphael Barkai  
*Assistant Examiner*—Mitchell I. Siegel  
*Attorney, Agent, or Firm*—Edwin E. Greigg; Ronald E. Greigg

[57] **CLAIM**

The ornamental design for golf club head, as shown and described.

**DESCRIPTION**

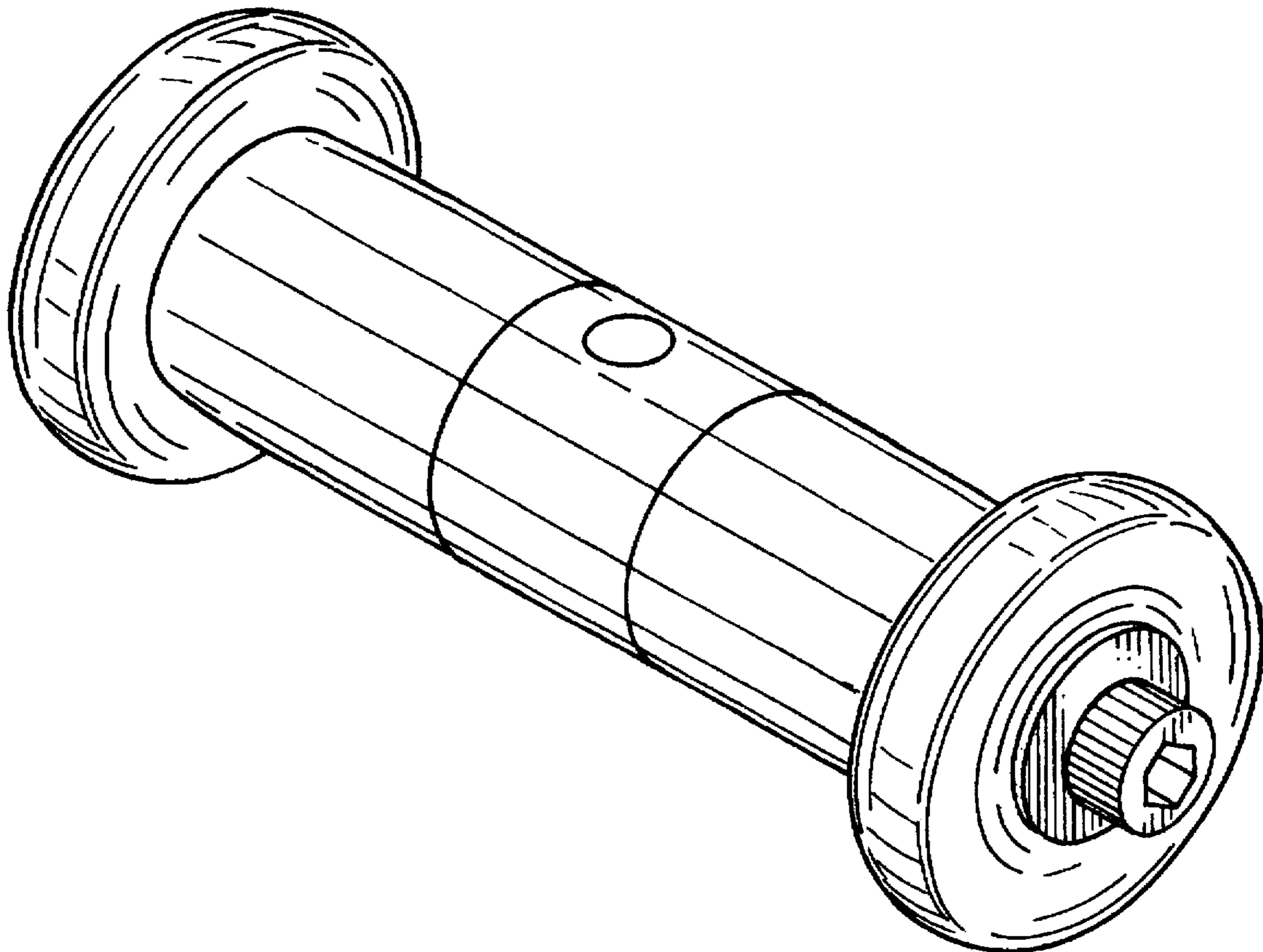
FIG. 1 is a top perspective view of an embodiment of a golf club head design showing the club head only; FIG. 2 is a front view of the club head only of the golf club head of my new design according to the embodiment thereof; the undisclosed rear side being identical and, FIG. 3 is a bottom perspective view of the embodiment of my new design showing the club head only.

[56] **References Cited**

**U.S. PATENT DOCUMENTS**

D. 187,658 4/1960 Holdstein ..... D21/218  
4,881,737 11/1989 Mullins ..... D21/217 X

**1 Claim, 1 Drawing Sheet**



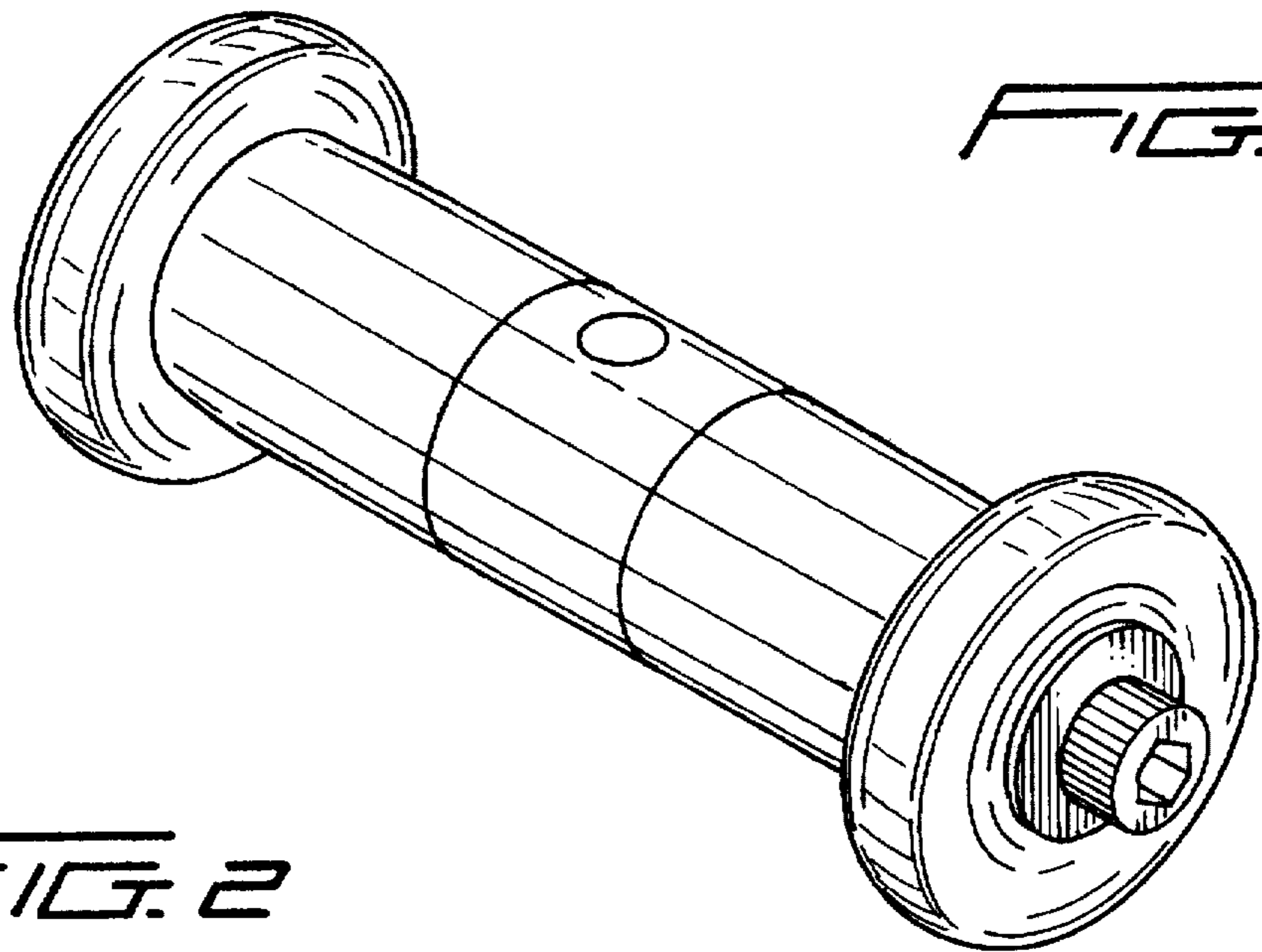


FIG. 1

FIG. 2

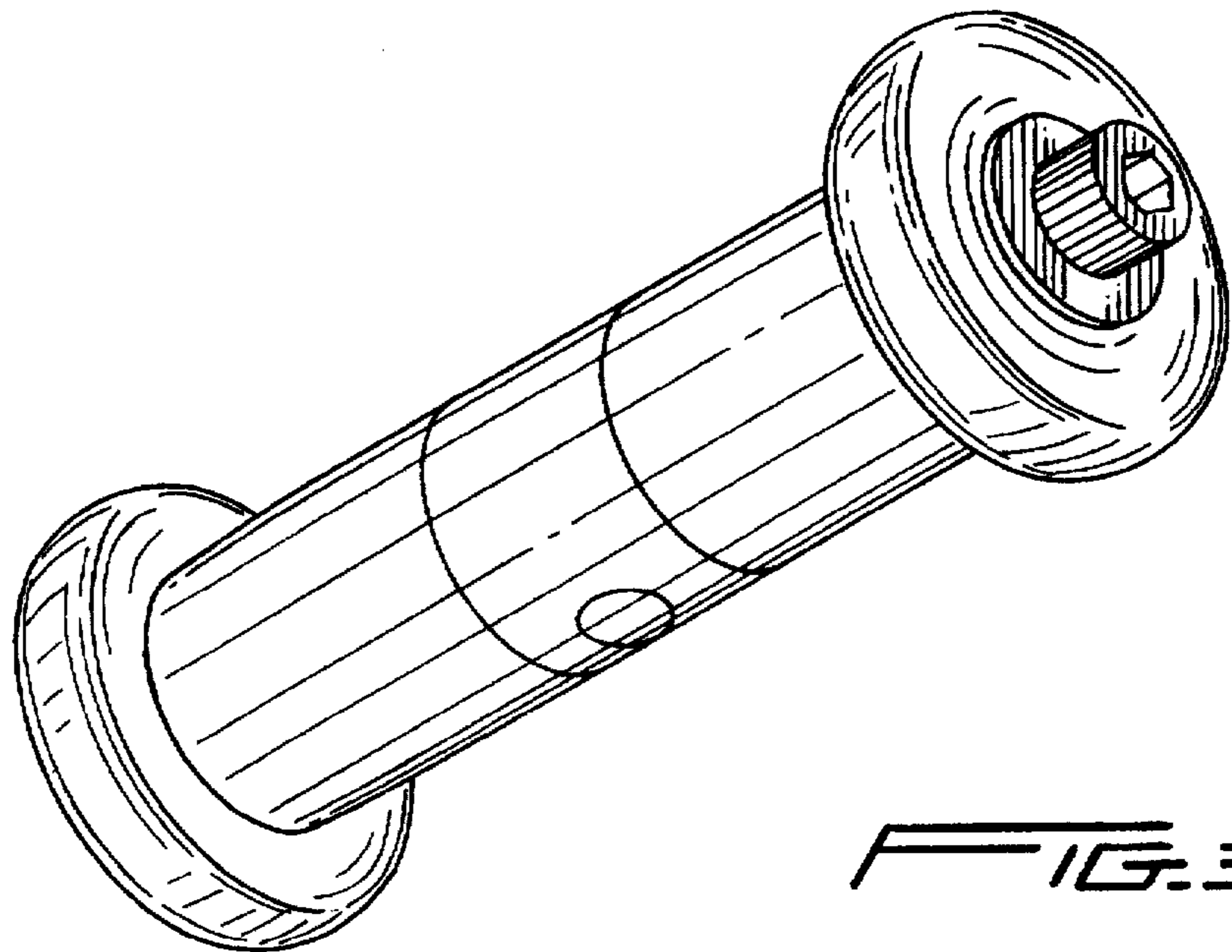
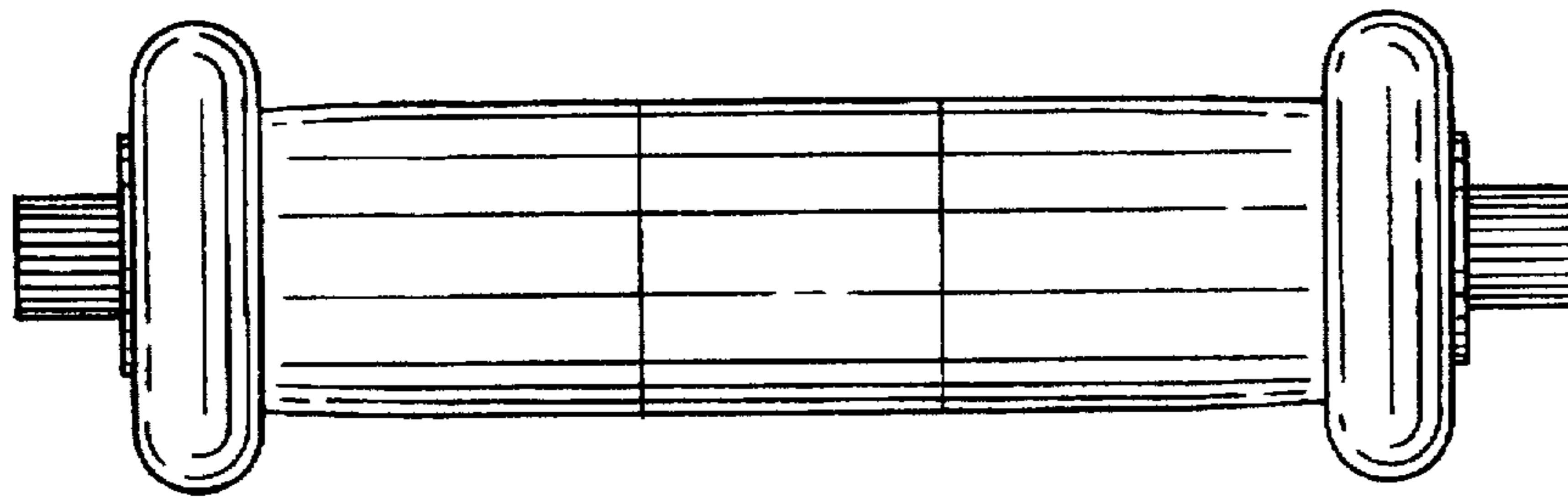


FIG. 3