



US00D391321S

**United States Patent** [19]  
**Hill**

[11] **Patent Number:** **Des. 391,321**  
[45] **Date of Patent:** **\*\*Feb. 24, 1998**

[54] **GAME BOX**

[76] **Inventor:** **Kathleen Ann Hill**, 1665 Crescent Hills Dr., Lacrescent, Minn. 55947

[\*\*] **Term:** **14 Years**

[21] **Appl. No.:** **69,811**

[22] **Filed:** **Apr. 17, 1997**

[51] **LOC (6) Cl.** ..... **21-01**

[52] **U.S. Cl.** ..... **D21/55**

[58] **Field of Search** ..... D21/14-36, 54-58;  
273/236-288, 148 R, 150, 151, 148 A

[56] **References Cited**

**U.S. PATENT DOCUMENTS**

D. 256,522	8/1980	Peterson	.....	D21/55
D. 305,705	1/1990	Stewart	.....	D21/14
2,002,166	5/1935	Bandes et al.	.....	D21/54
3,652,086	3/1972	Stecker	.....	273/148 R

**OTHER PUBLICATIONS**

Popper Adult games Catalog, Chip case, No. 723.

*Primary Examiner*—Sandra L. Morris

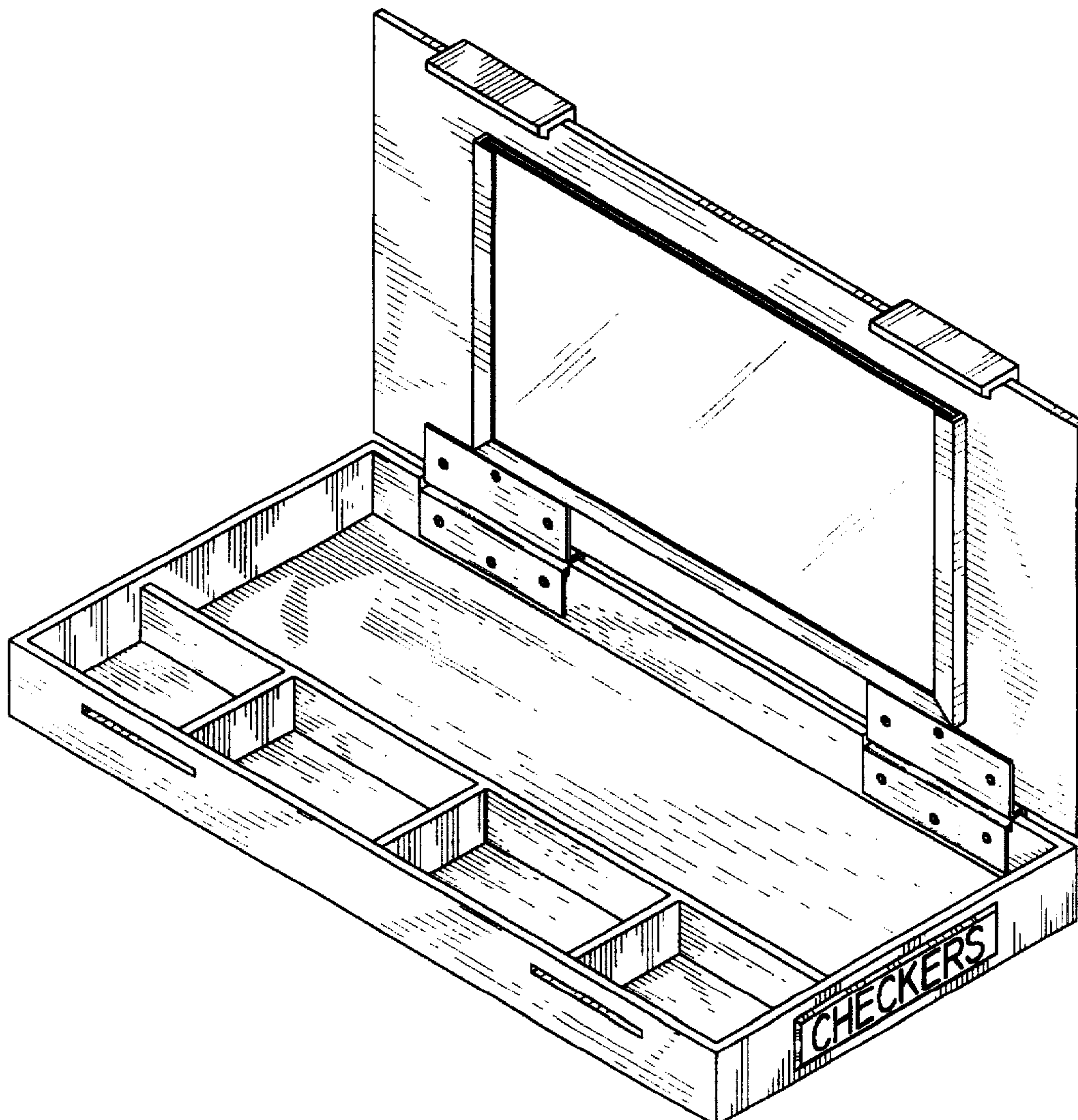
[57] **CLAIM**

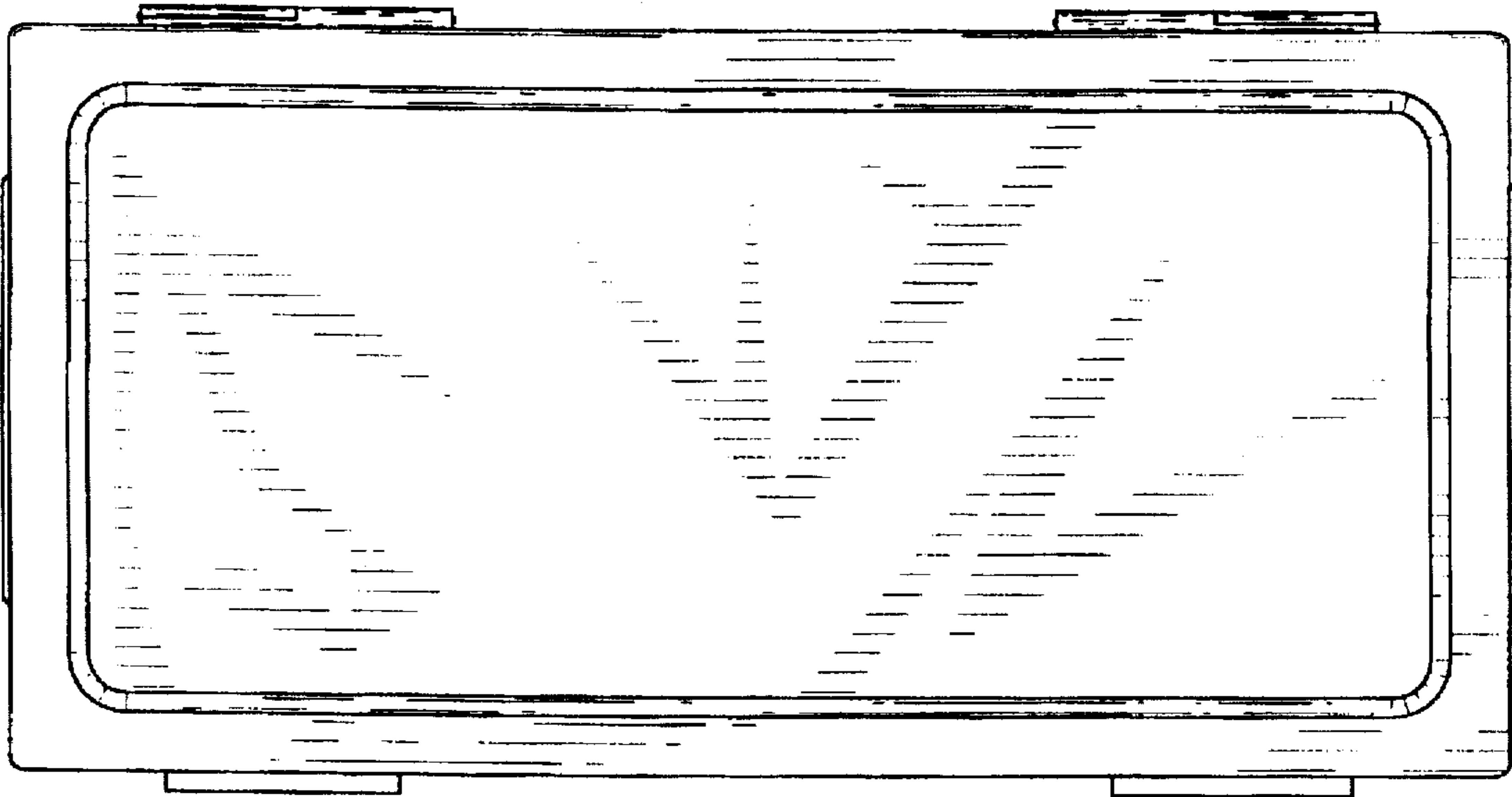
The ornamental design for a game box, as shown and described.

**DESCRIPTION**

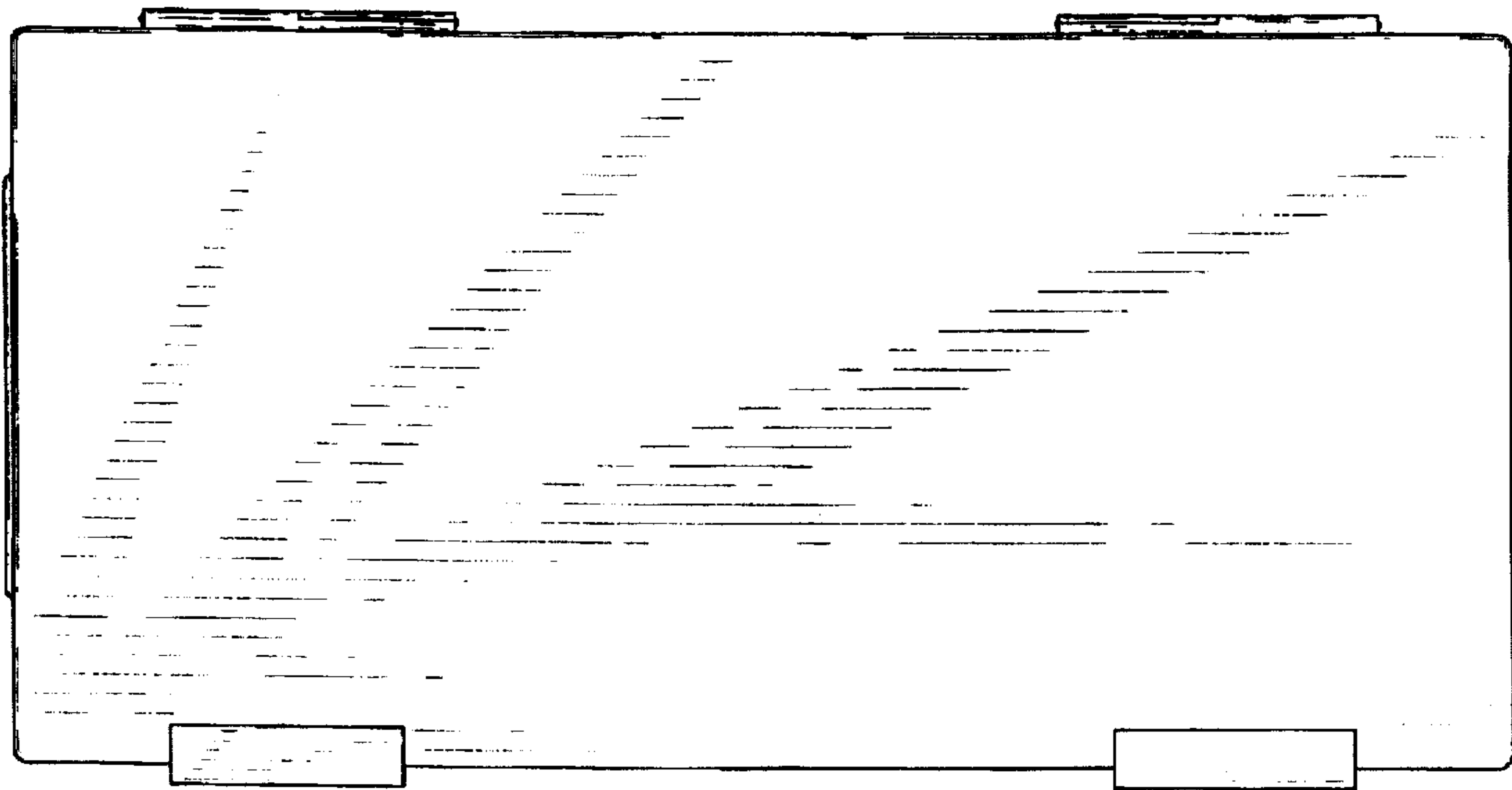
FIG. 1 is a front plan view of the game box of the present invention;  
FIG. 2 is a rear plan view of the game box of FIG. 1;  
FIG. 3 is a right side plan view of the game box of FIG. 1;  
FIG. 4 is a left side plan view of the game box of FIG. 1;  
FIG. 5 is a top plan view of the game box of FIG. 1;  
FIG. 6 is a bottom plan view of the game box of FIG. 1; and,  
FIG. 7 is a top, front, right side perspective view of the game box of FIG. 1 opened.

**1 Claim, 3 Drawing Sheets**





*Fig. 2*



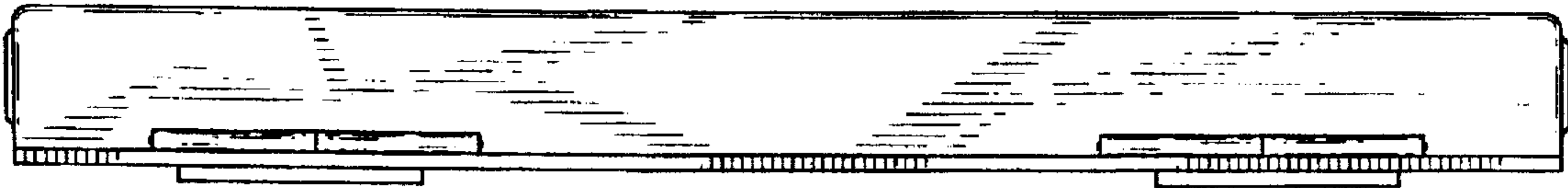
*Fig. 1*



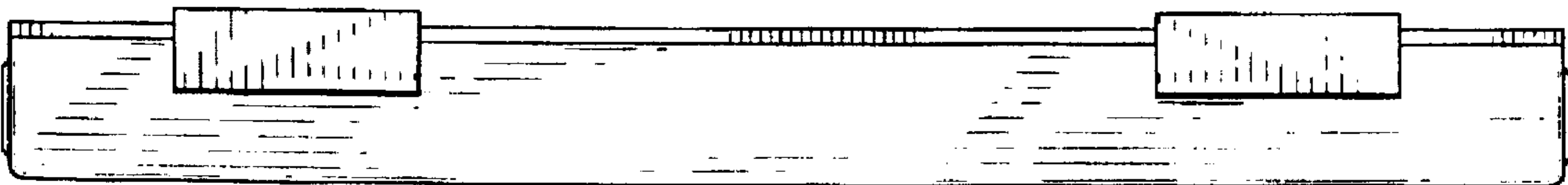
*Fig. 4*



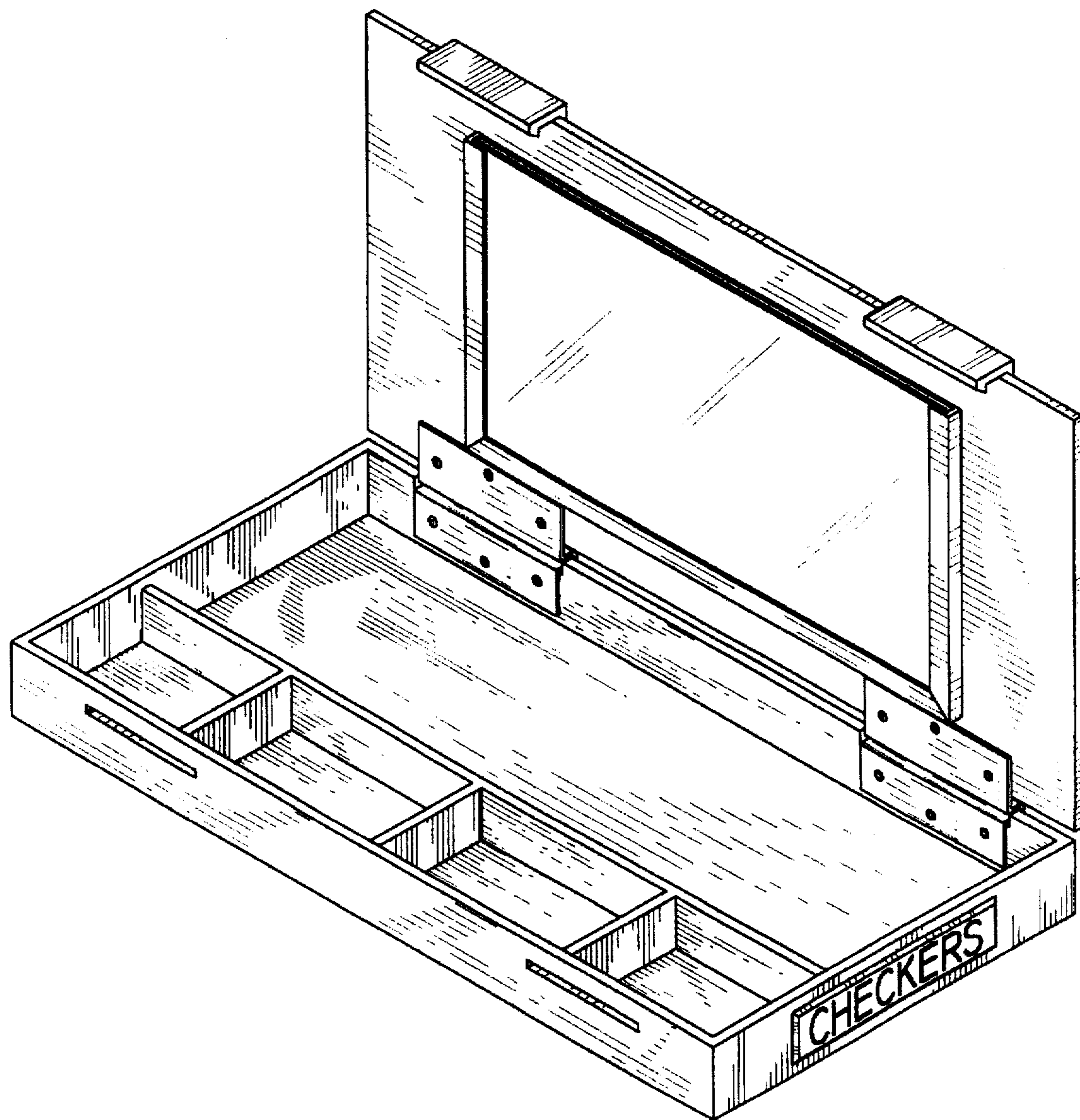
*Fig. 3*



*Fig. 5*



*Fig. 6*



*Fig. 7*