



US00D391307S

United States Patent [19]

Kuo

[11] **Patent Number: Des. 391,307**

[45] **Date of Patent: **Feb. 24, 1998**

[54] **TOY**

2,485,064 10/1949 Paclan D21/92 X
2,798,324 7/1957 Berger et al. D21/92 X

[76] **Inventor: Lee Hong Kuo, Laokun Tsung, Kunzeh Town, Longan Area, Shen Zhen City, Kungtung Province, China**

*Primary Examiner—Dominic Simone
Attorney, Agent, or Firm—W. Wayne Liauh*

[**] **Term: 14 Years**

[57] CLAIM

The ornamental design for a toy, as shown ad described.

[21] **Appl. No.: 65,517**

DESCRIPTION

[22] **Filed: Jan. 27, 1997**

[51] **LOC (6) Cl. 21-01**

[52] **U.S. Cl. D21/62; D21/92**

[58] **Field of Search D21/59, 62, 92;
446/3, 175, 228, 233, 236, 242, 247**

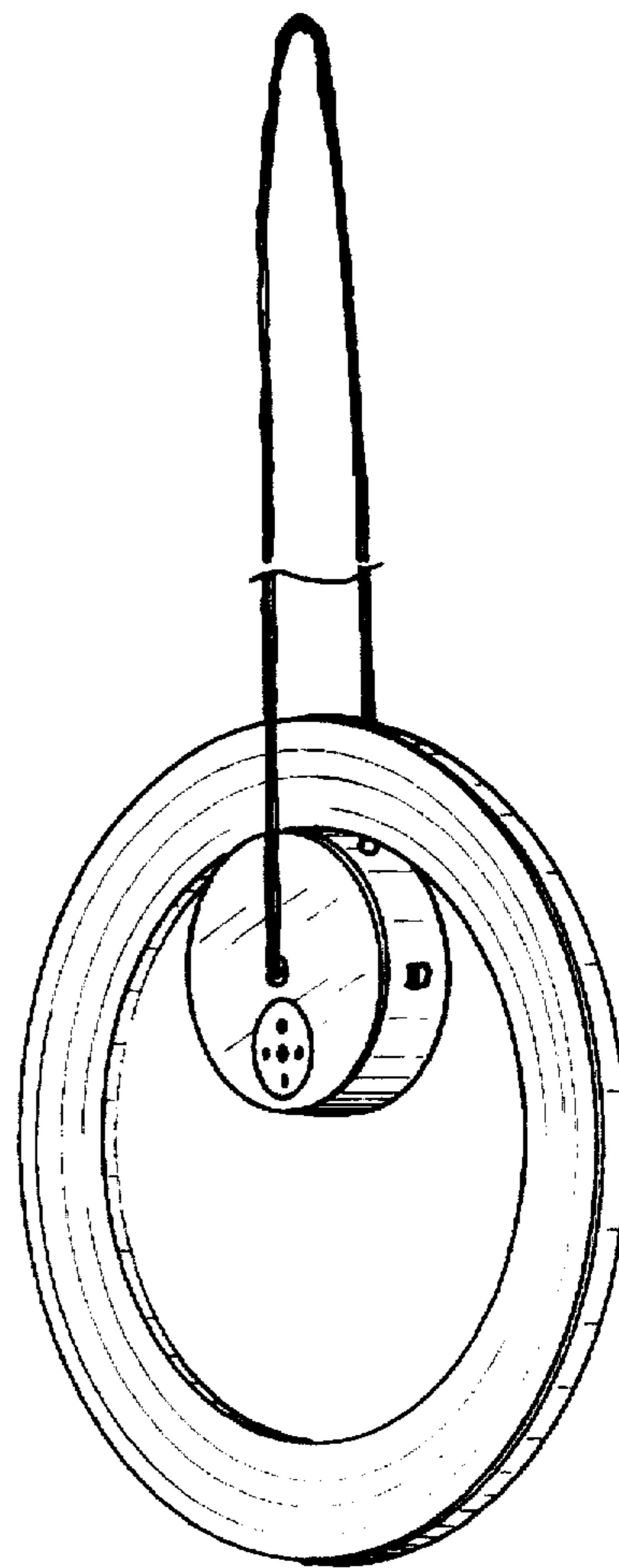
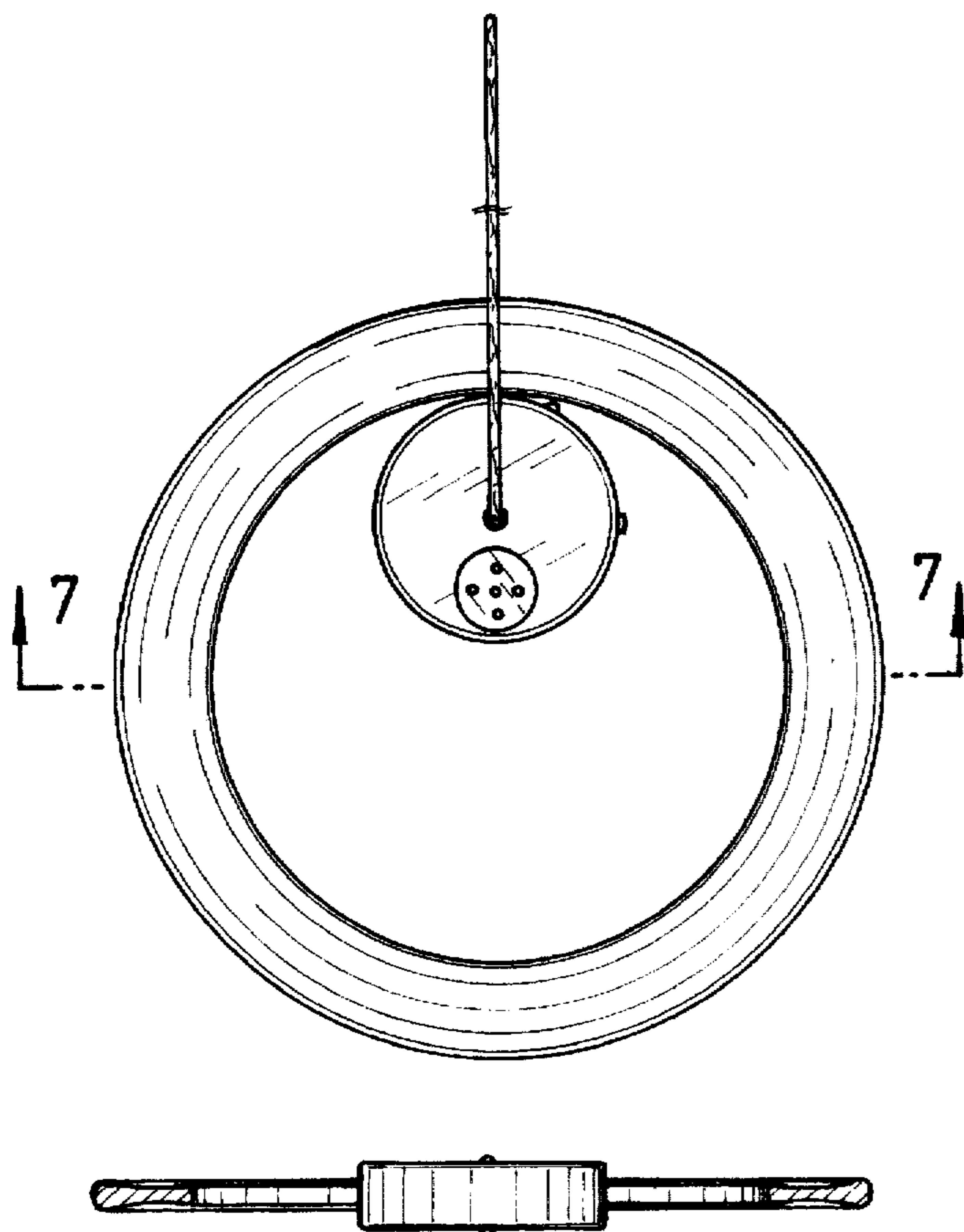
FIG. 1 is a front view of a toy showing my new design;
FIG. 2 is a right side view of the toy;
FIG. 3 is a bottom view of the toy;
FIG. 4 is a top view of the toy;
FIG. 5 is a left side view of the toy;
FIG. 6 is a rear elevation view of the toy;
FIG. 7 is a cross-sectional view of the toy along line 7—7
of FIG. 1; and,
FIG. 8 is a perspective view of the toy.

[56] References Cited

U.S. PATENT DOCUMENTS

D. 145,502 9/1946 Auchard D21/92
D. 249,572 9/1978 Foster D21/62

1 Claim, 3 Drawing Sheets



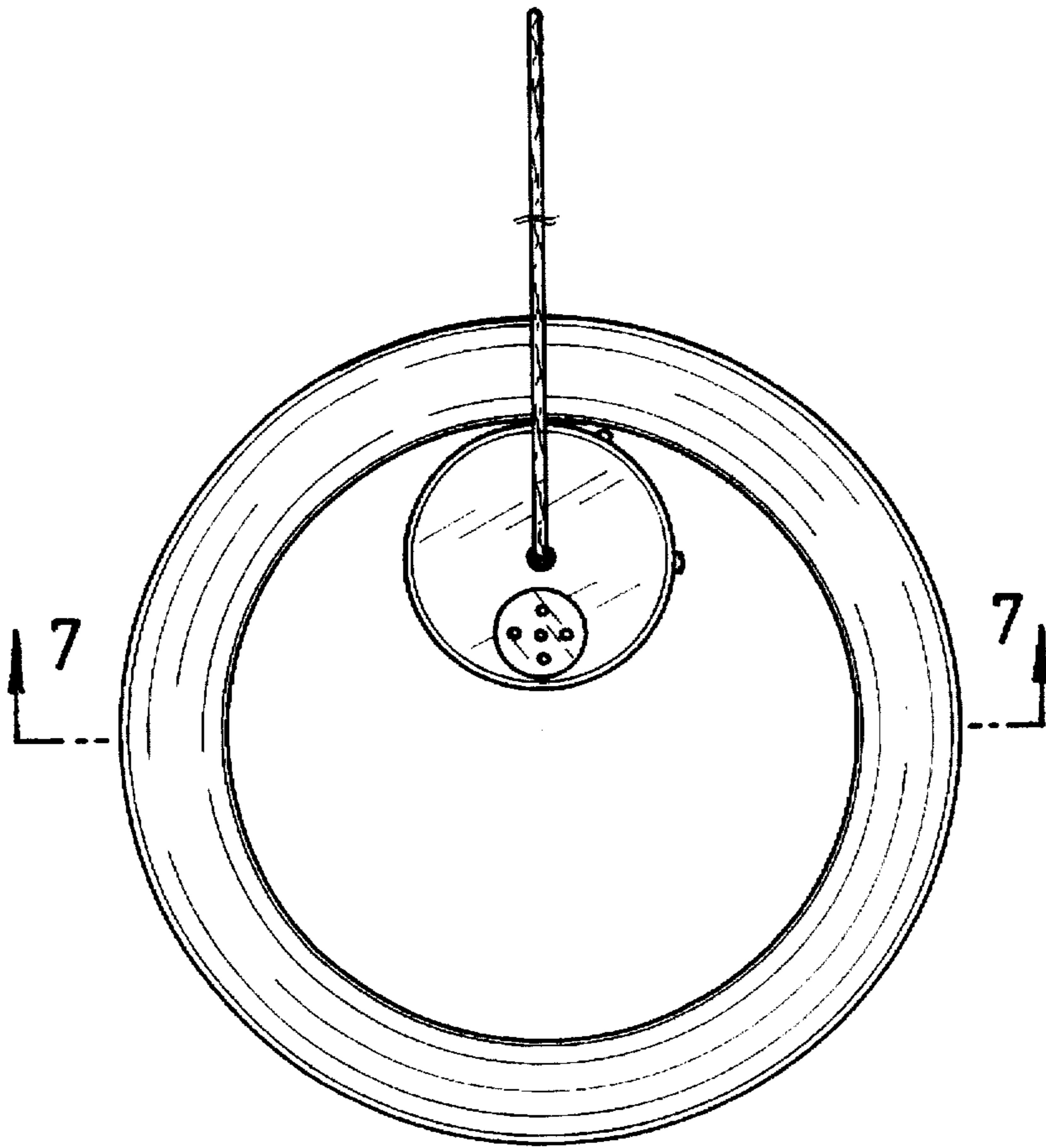


FIG. 1

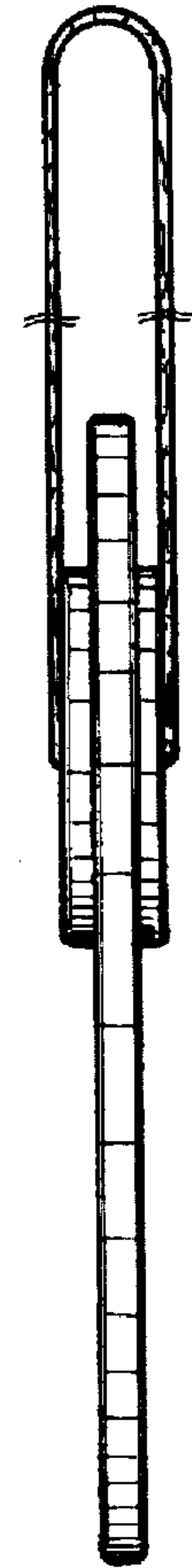


FIG. 2

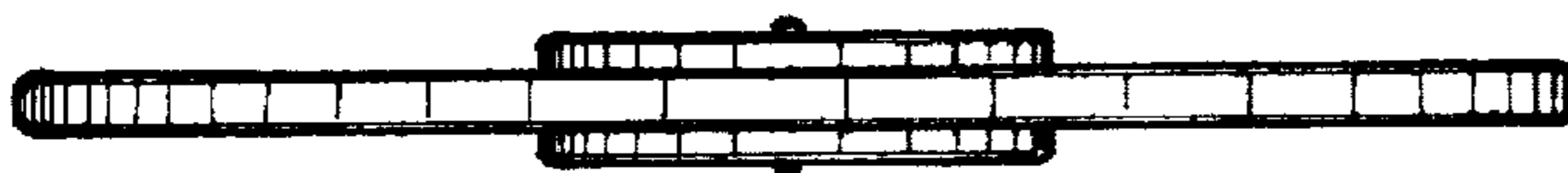


FIG. 3



FIG. 4

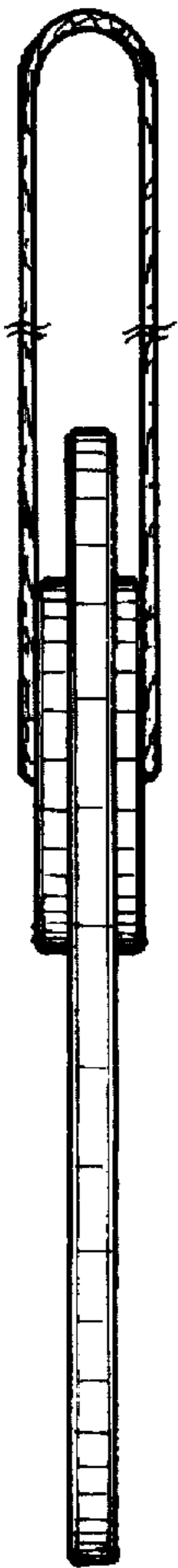


FIG. 5

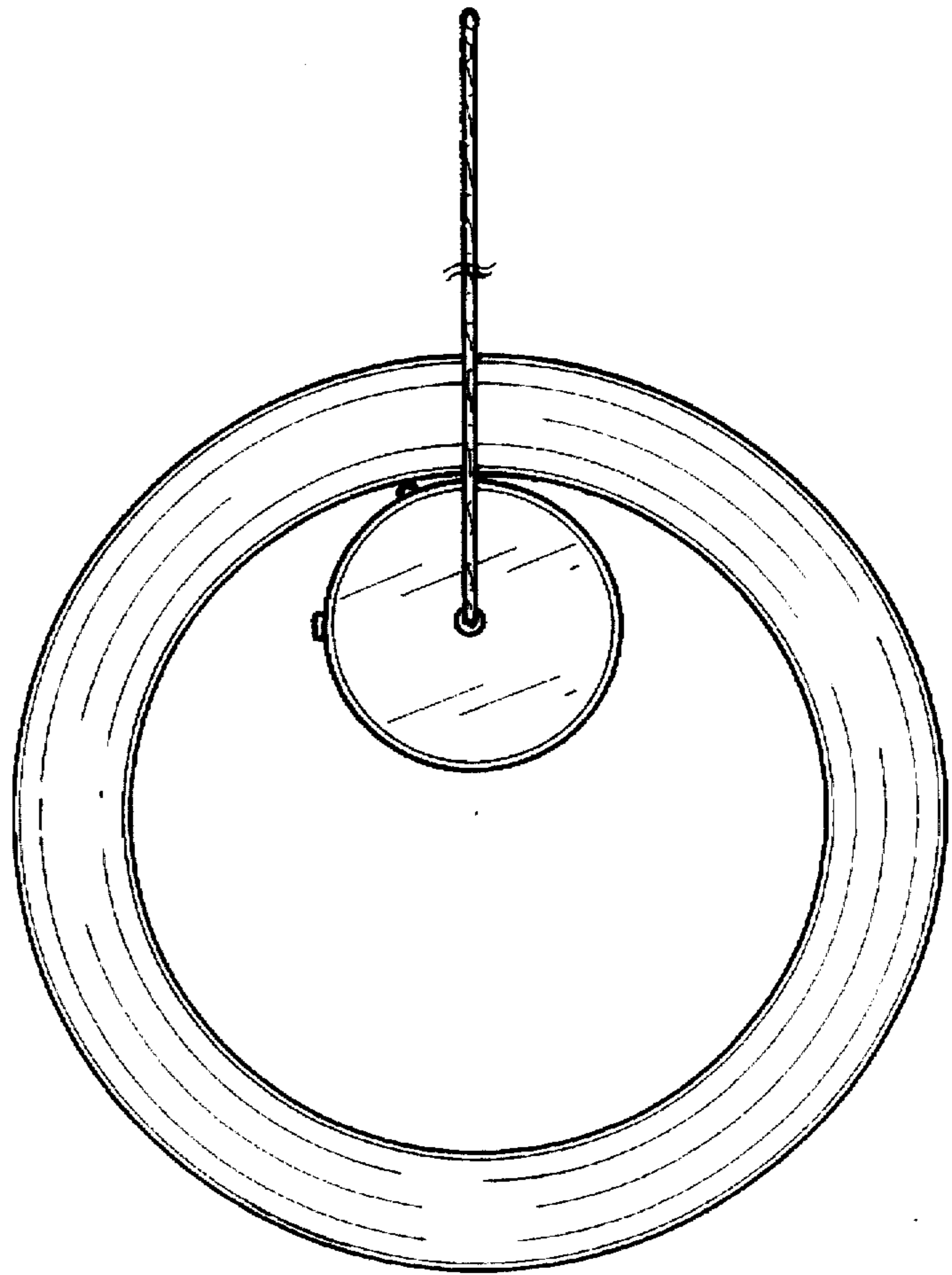


FIG. 6



FIG. 7

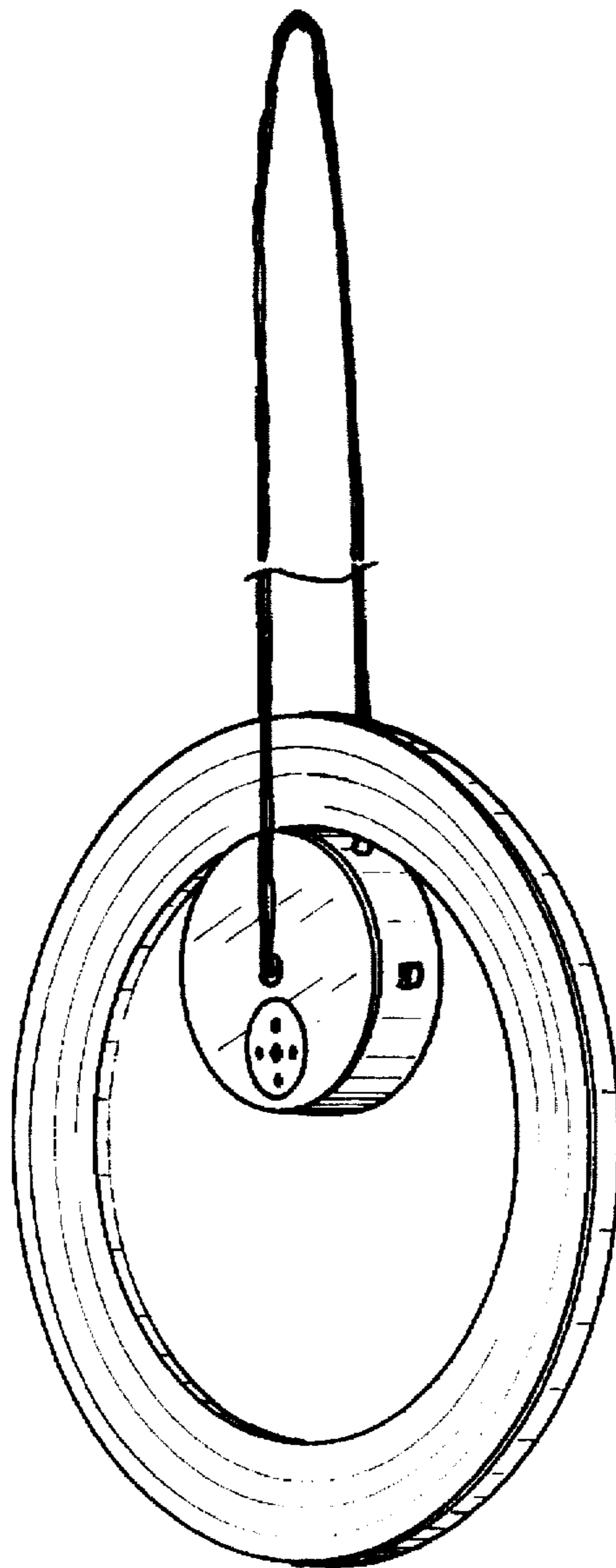


FIG. 8