



US00D391302S

# United States Patent [19]

Burns

[11] Patent Number: **Des. 391,302**

[45] Date of Patent: **\*\*Feb. 24, 1998**

[54] **HANGER SUPPORT FOR BUSINESS CARDS**

[76] Inventor: **Paula F. Burns**, 8600 Coppertowne La. #1901, Dallas, Tex. 75243

[\*\*] Term: **14 Years**

[21] Appl. No.: **59,266**

[22] Filed: **Sep. 6, 1996**

[51] LOC (6) Cl. .... **20-03**

[52] U.S. Cl. .... **D20/43**

[58] Field of Search ..... D20/10, 40, 42, D20/43; 40/617, 610, 642.02, 124.06, 124.16, 124.19; 211/73, 50; 206/45.25, 45.21, 45.14, 1.5, 736, 767, 806, 449

[56] **References Cited**

**U.S. PATENT DOCUMENTS**

3,392,903	7/1968	Morgan, Jr.	.....	211/50
4,424,906	1/1984	Richmond	.....	211/50

*Primary Examiner*—Susan J. Lucas  
*Assistant Examiner*—Jennifer Register  
*Attorney, Agent, or Firm*—Daniel Rubin

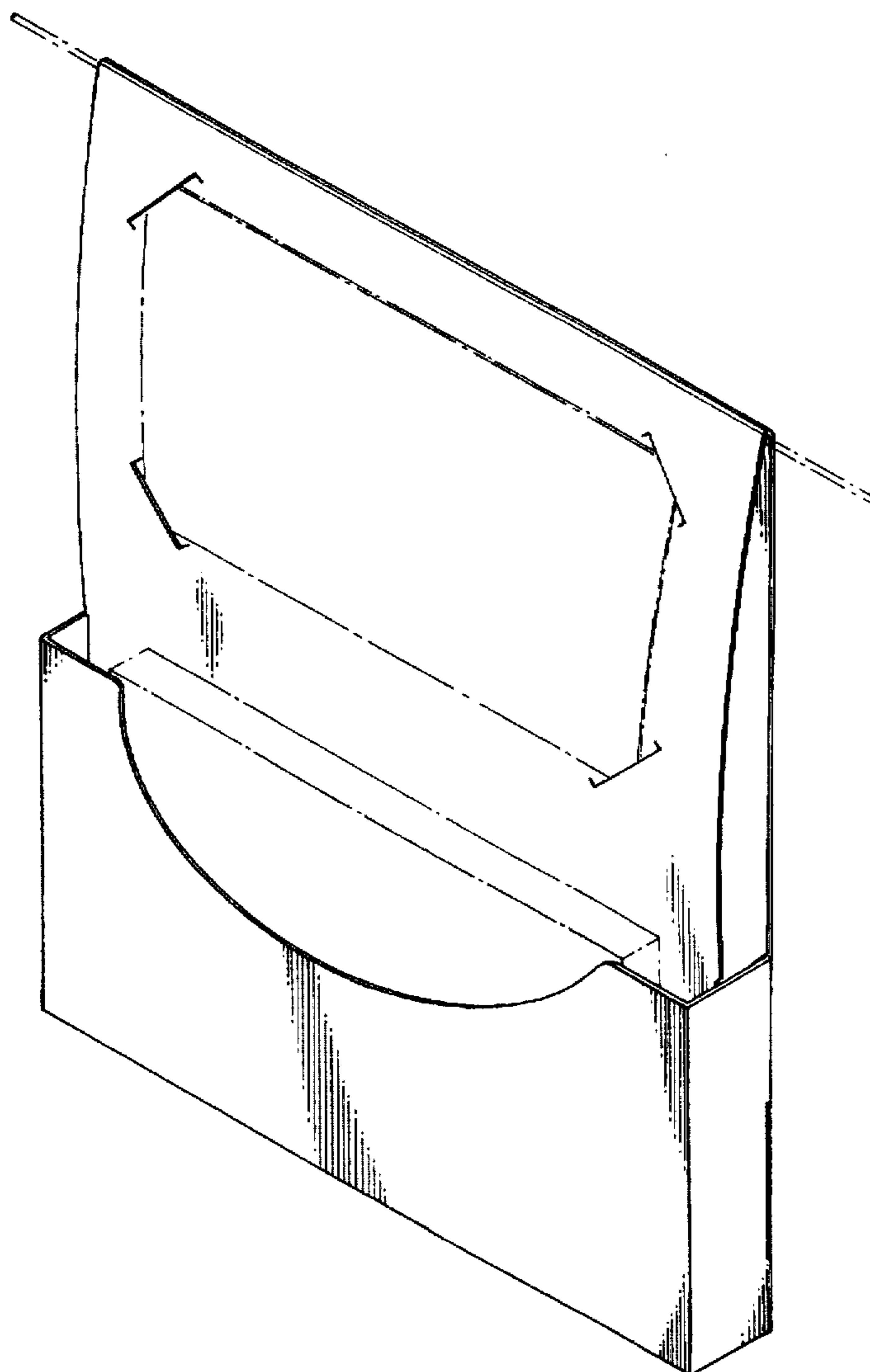
[57] **CLAIM**

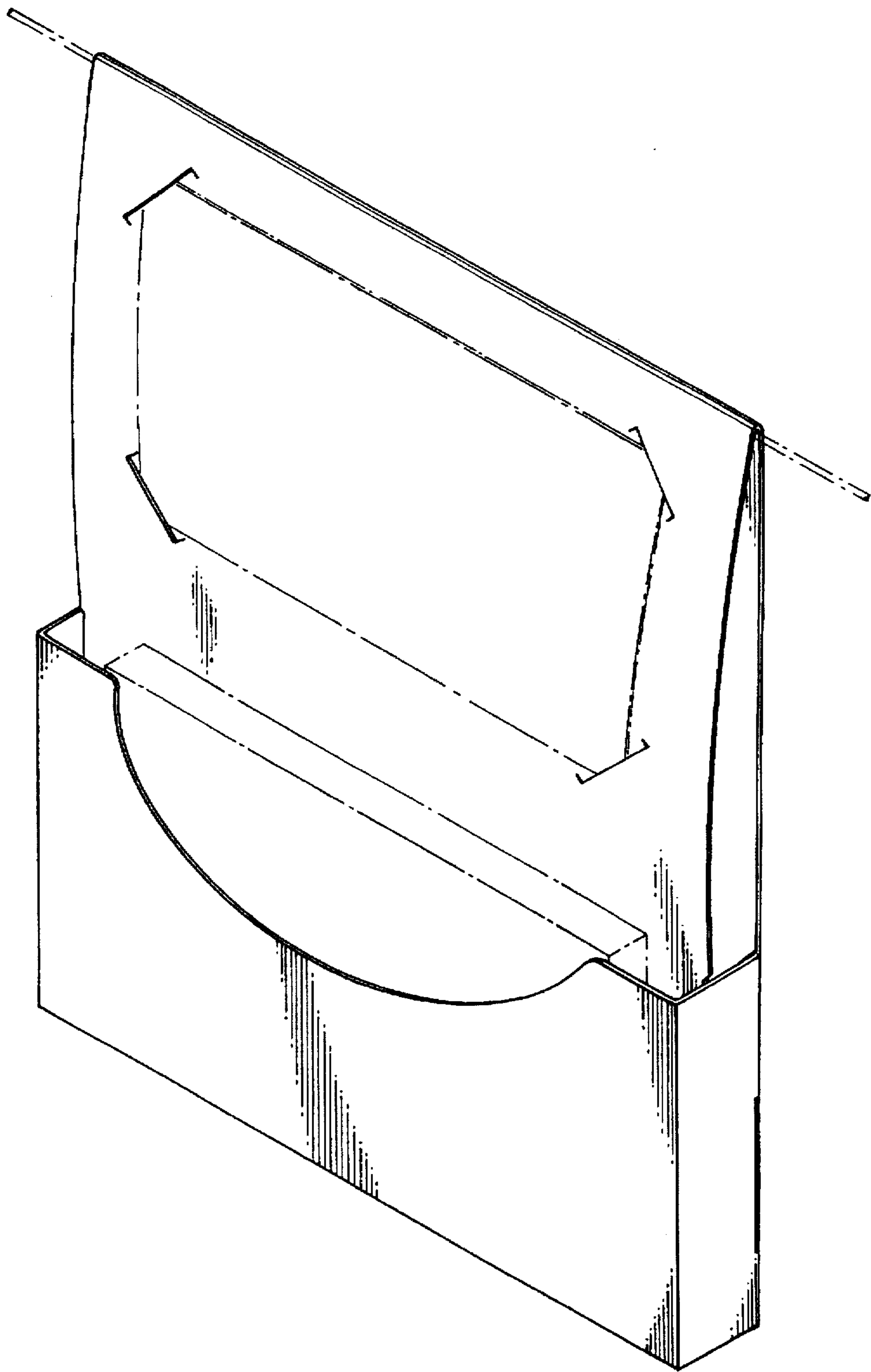
The ornamental design of a hanger support for business cards, as shown and described.

**DESCRIPTION**

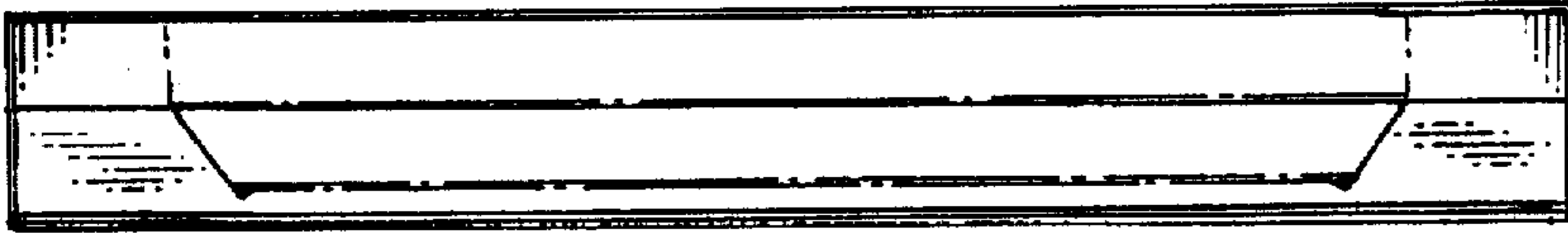
FIG. 1 is a front perspective view thereof;  
FIG. 2 is a rear elevation view thereof;  
FIG. 3 is a top plan view thereof;  
FIG. 4 is a left side elevational view thereof, the right side elevation being a mirror image thereof;  
FIG. 5 is a bottom plan view thereof; and,  
FIG. 6 is an unfolded stamped cutout thereof.  
The broken lines are shown for illustrative purposes only and form no part of the claimed design.

**1 Claim, 3 Drawing Sheets**

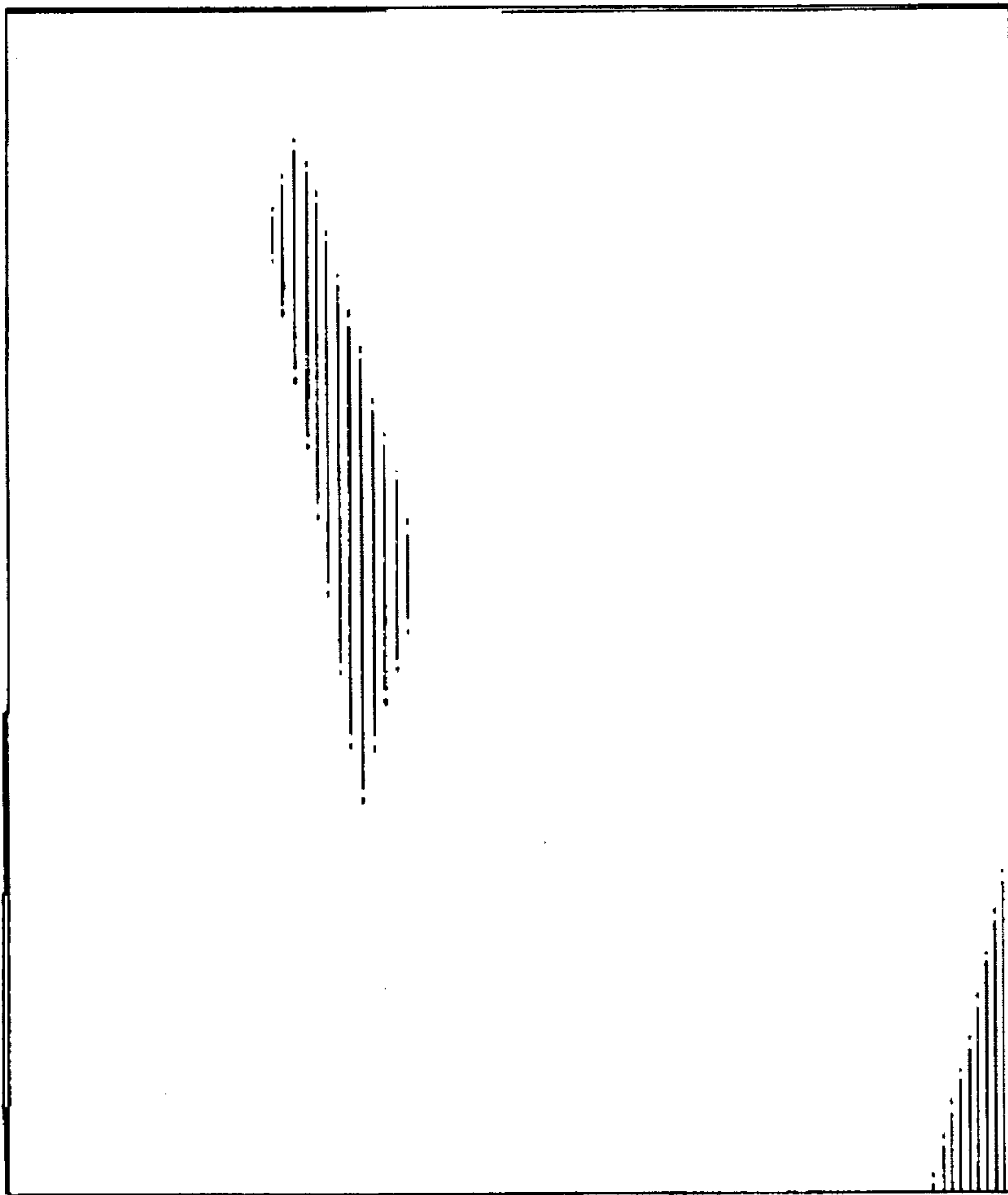




*Fig. 1*



*Fig. 3*



*Fig. 2*



*Fig. 4*



*Fig. 5*

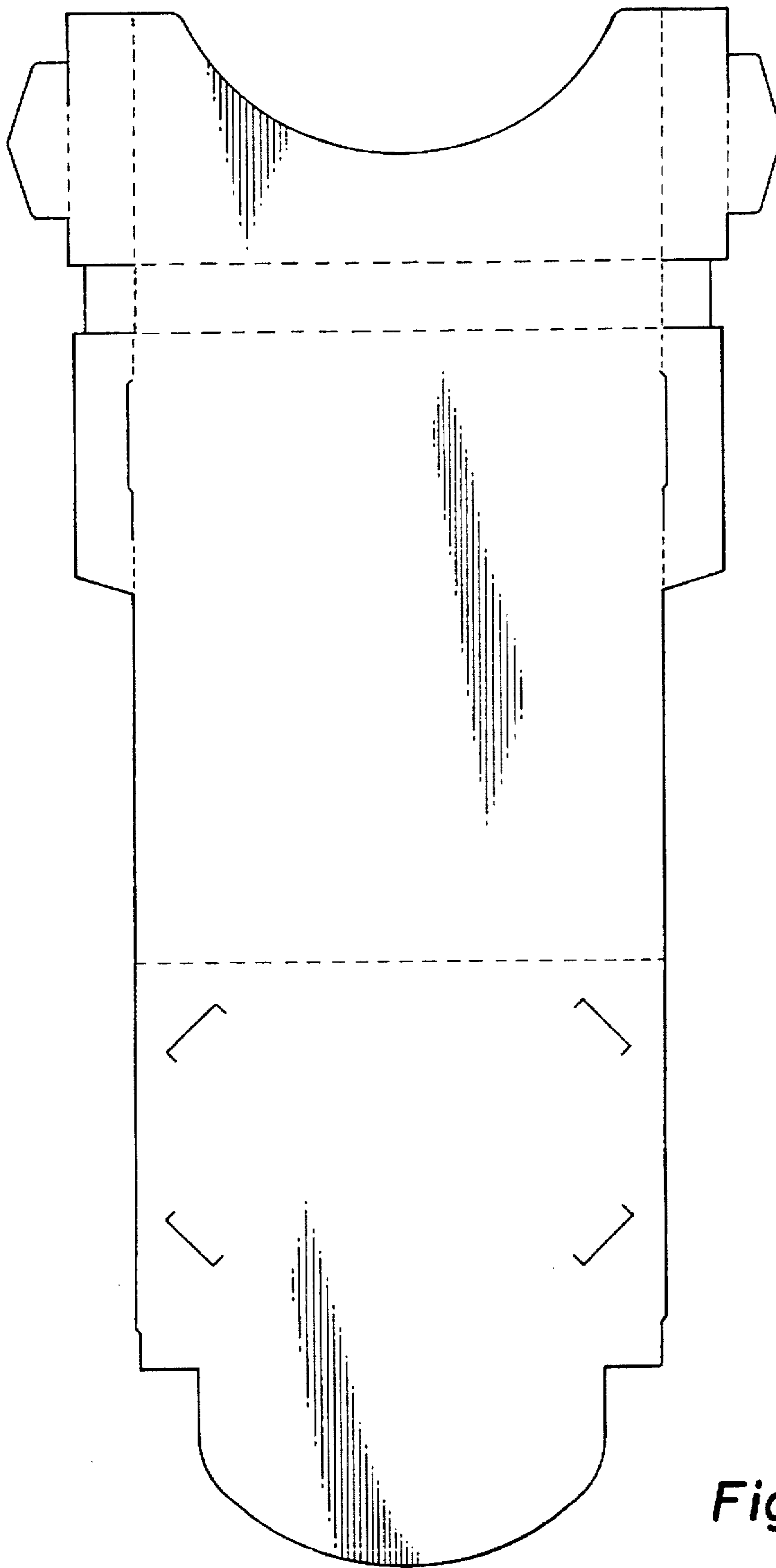


Fig. 6