



US00D391299S

United States Patent [19]
Bragalone

[11] **Patent Number: Des. 391,299**
[45] **Date of Patent: **Feb. 24, 1998**

[54] **SIGNAGE PLATFORM ATTACHED TO A SWIMMING POOL COPING**

[76] **Inventor: Jon A. Bragalone**, 10633 Sheffield Cove, Fort Wayne, Ind. 46804

[**] **Term: 14 Years**

[21] **Appl. No.: 59,040**

[22] **Filed: Aug. 30, 1996**

[51] **LOC (6) Cl. 20-03**

[52] **U.S. Cl. D20/19; D20/10**

[58] **Field of Search D20/10, 42, 43, D20/29, 19, 44; 40/650, 642.01, 646; D25/136; 52/721.5, 102, 716.6, 716.8, 716.2, 716.3, 716.1**

[56] **References Cited**

U.S. PATENT DOCUMENTS

D. 117,893 12/1939 **Bonnell** D20/44 X
5,375,941 12/1994 **Strobl, Jr.** 52/102 X

OTHER PUBLICATIONS

Molding No. 1226, Sweet's General Building and Renovation Catalog, p. 34, 1994.

Coves WP93, WP Series Moulding Patterns, p. 4, 1967.

Primary Examiner—Susan J. Lucas

Assistant Examiner—Jennifer Register

Attorney, Agent, or Firm—Taylor & Associates, P.C.

[57] **CLAIM**

The ornamental design for a signage platform attached to a swimming pool coping, as shown and described.

DESCRIPTION

FIG. 1 is a perspective view of a signage platform attached to a swimming pool coping, showing my new design;

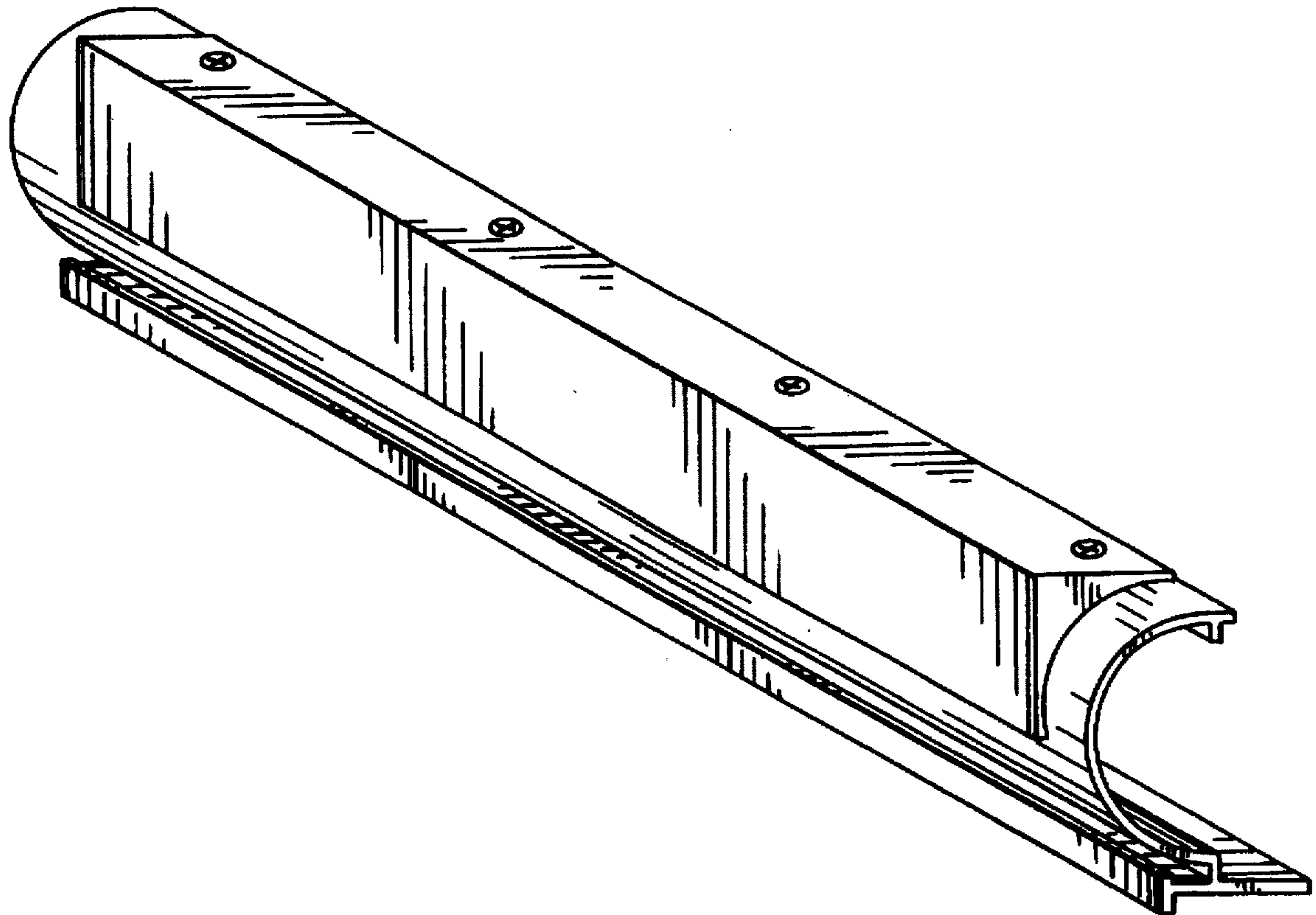
FIG. 2 is a top view thereof;

FIG. 3 is a front view thereof, and,

FIG. 4 is an end view thereof, the opposing end view being a mirror image.

The rear surface of the claimed design is unornamented.

1 Claim, 1 Drawing Sheet



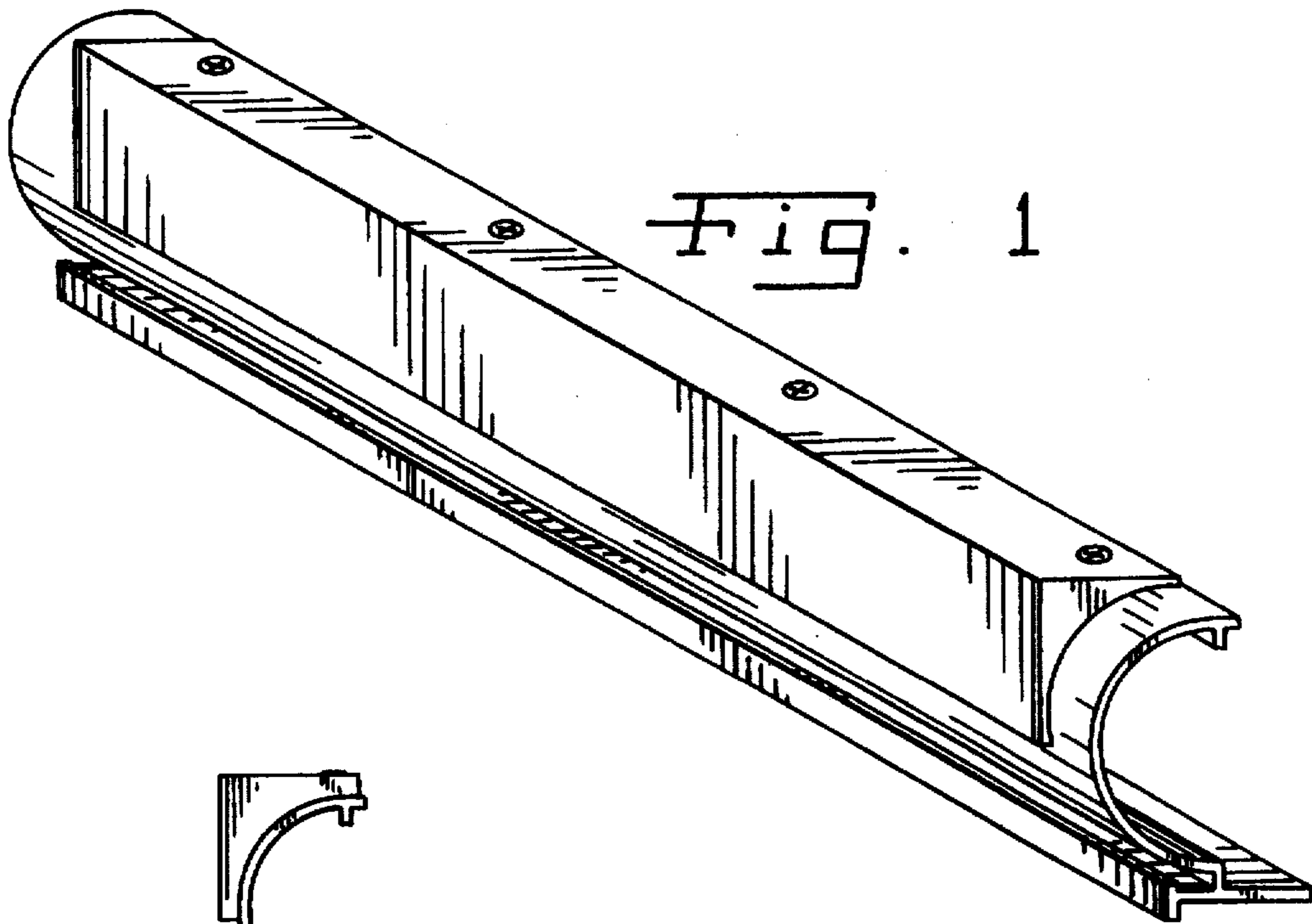


Fig. 1

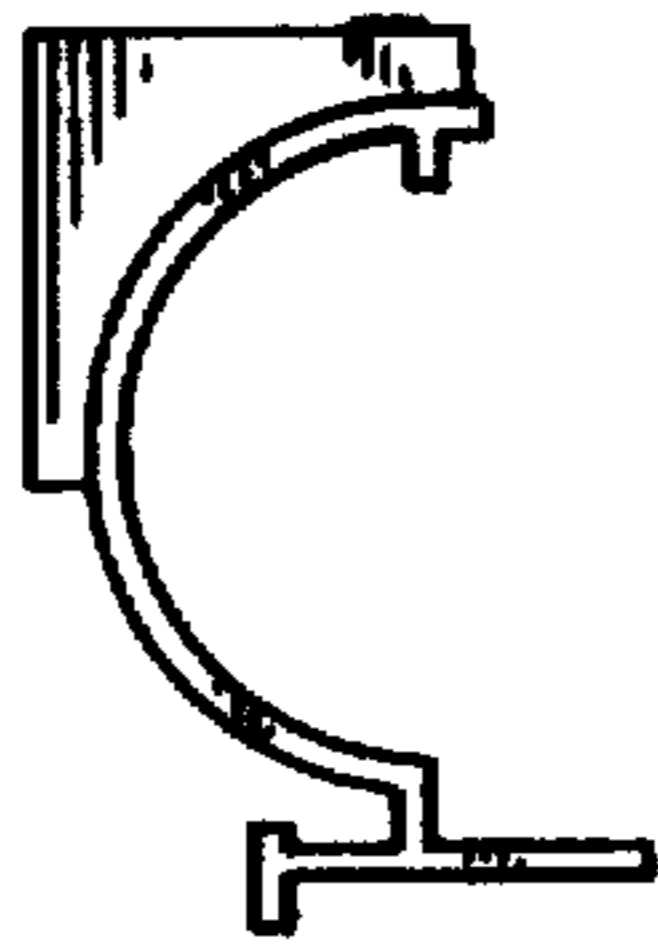


Fig. 4

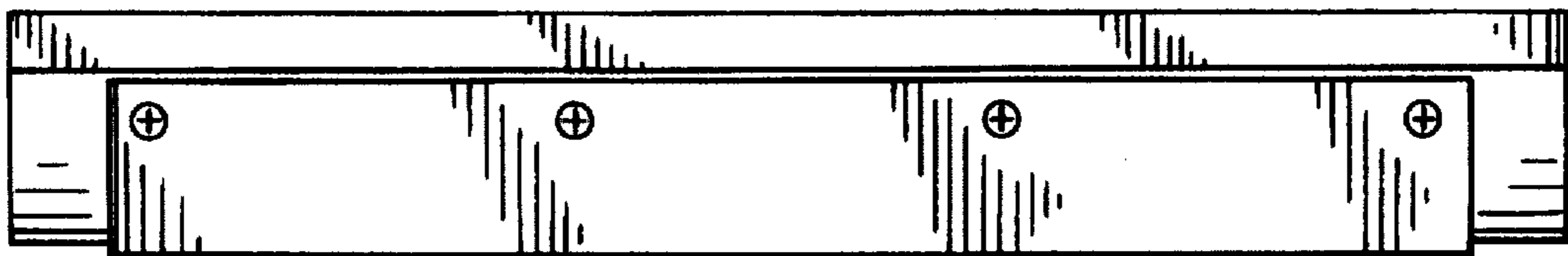


Fig. 2

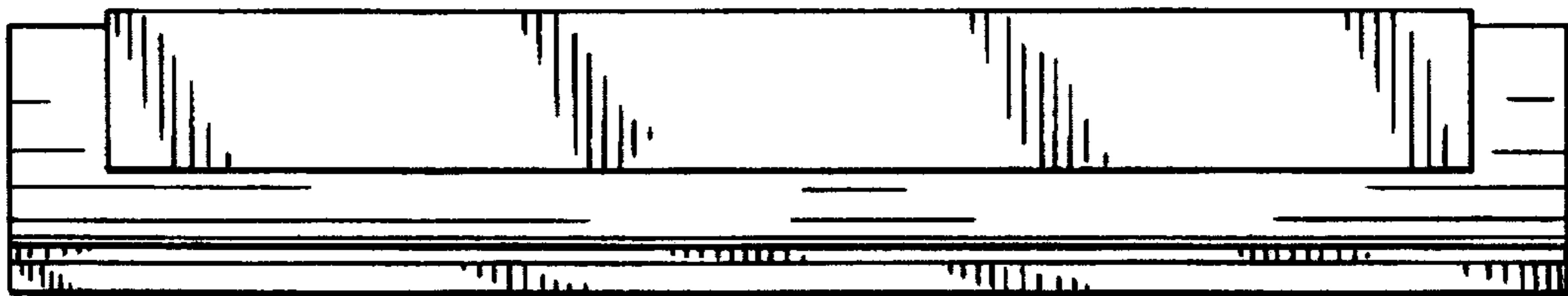


Fig. 3