



US00D391297S

**United States Patent** [19]  
**Thompson, Jr.**

[11] **Patent Number: Des. 391,297**  
[45] **Date of Patent: \*\*Feb. 24, 1998**

[54] **COMPACT DISK INDEXING TAB**  
[76] **Inventor: Dale Lee Thompson, Jr., 5314 Gainsborough Dr., Fairfax, Va. 22032**  
[\*\*] **Term: 14 Years**  
[21] **Appl. No.: 35,720**  
[22] **Filed: Mar. 6, 1995**  
[51] **LOC (6) Cl. .... 19-99**  
[52] **U.S. Cl. .... D19/99; D19/65; D19/32**  
[58] **Field of Search .... D19/65, 76, 75, D19/99, 100, 32; D6/407; 40/359**

*Primary Examiner*—Martie Thompson  
*Attorney, Agent, or Firm*—Elden R. Sodowsky

[57] **CLAIM**

The ornamental design for a compact disk indexing tab, as shown and described.

**DESCRIPTION**

FIG. 1 is a perspective view of an indexing tab for a compact disk case showing my new design, the undisclosed rear portion is a mirror image of the front shown;  
FIG. 2 is a front elevation view of FIG. 1;  
FIG. 3 is a top plan view of FIG. 1;  
FIG. 4 is a bottom plan view of FIG. 1;  
FIG. 5 is a right side elevation view of FIG. 1;  
FIG. 6 is a left side elevation view of FIG. 1;  
FIG. 7 is a perspective view of a modified embodiment of the indexing tab illustrated in FIG. 1, the undisclosed rear portion is a mirror image of the front shown;  
FIG. 8 is a front elevation view of FIG. 7;  
FIG. 9 is top plan view of FIG. 7;  
FIG. 10 is a bottom plan view of FIG. 7;  
FIG. 11 is a right side elevation view of FIG. 7; and,  
FIG. 12 is a left side elevation view of FIG. 7.

[56] **References Cited**

**U.S. PATENT DOCUMENTS**

D. 251,477	4/1979	Hedstrom et al. ....	D19/75 X
D. 276,095	10/1984	Sakow .....	D6/407
D. 278,159	3/1985	Bellanca .....	D19/37 X
D. 285,212	8/1986	Lee .....	D19/32
D. 352,315	11/1994	Sellers .....	D19/65
D. 369,267	4/1996	Harrington .....	D19/99 X
4,507,883	4/1985	Tarrant .....	40/359 X

**FOREIGN PATENT DOCUMENTS**

409863	10/1966	Switzerland .....	40/359
--------	---------	-------------------	--------

**1 Claim, 2 Drawing Sheets**

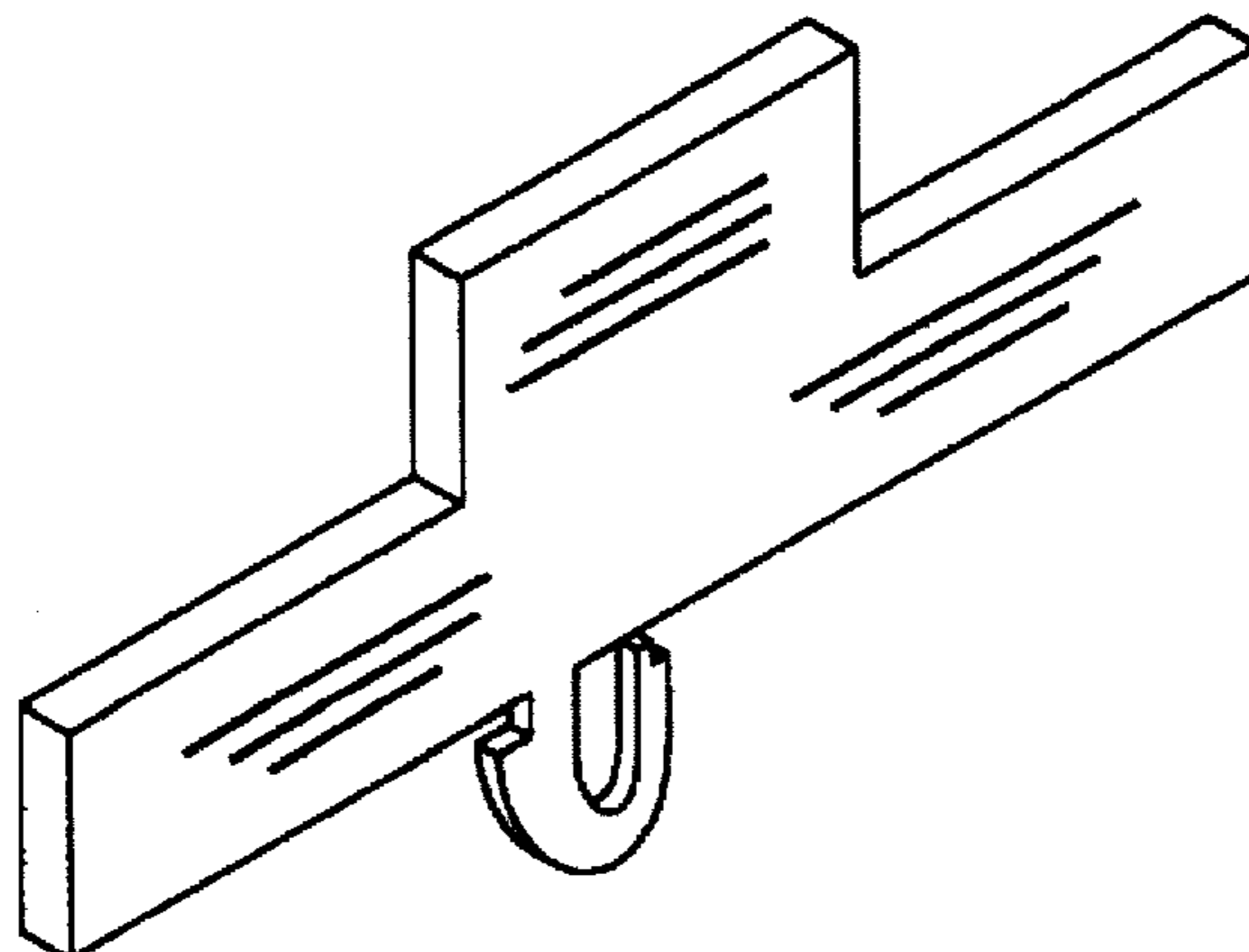
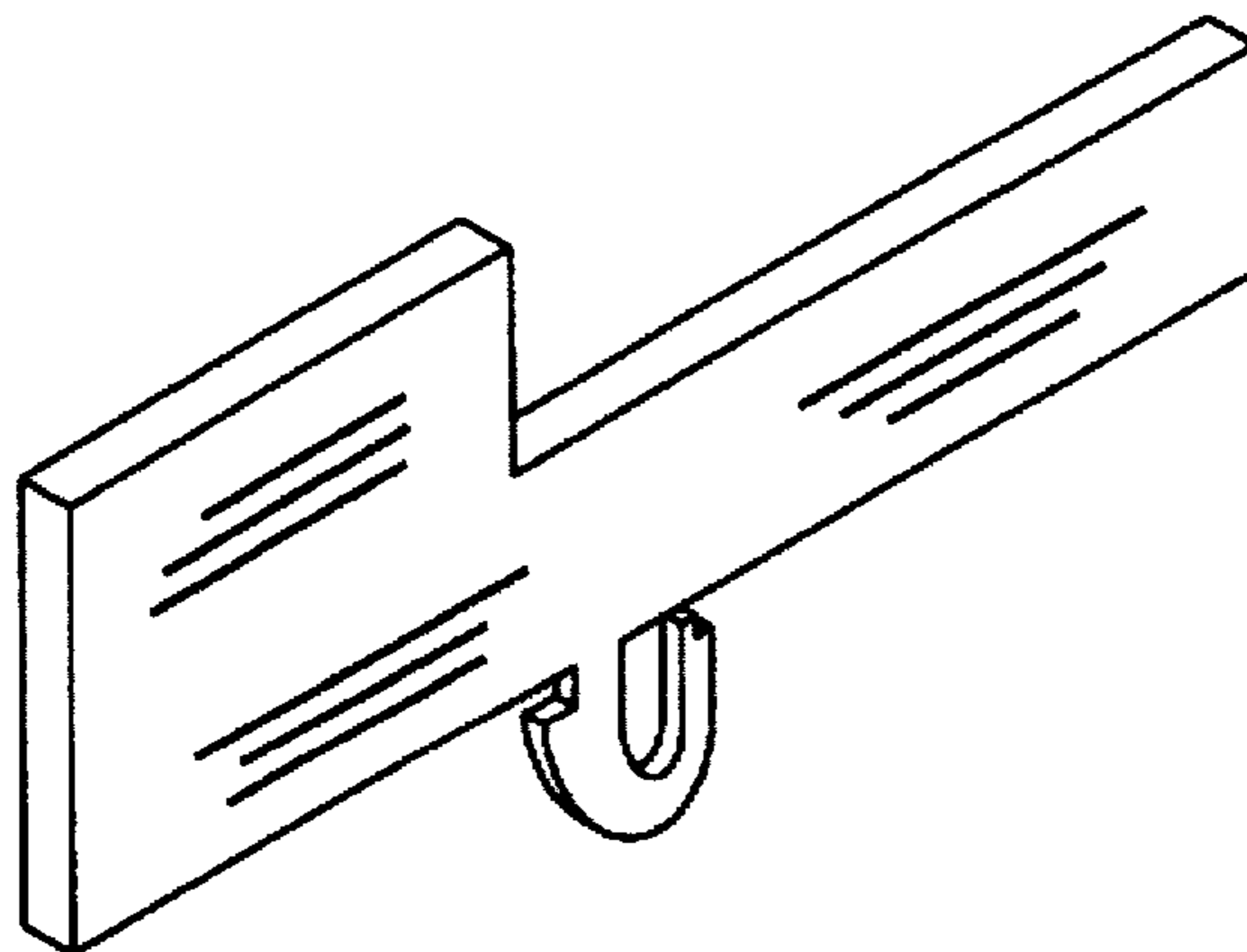


FIG. 1

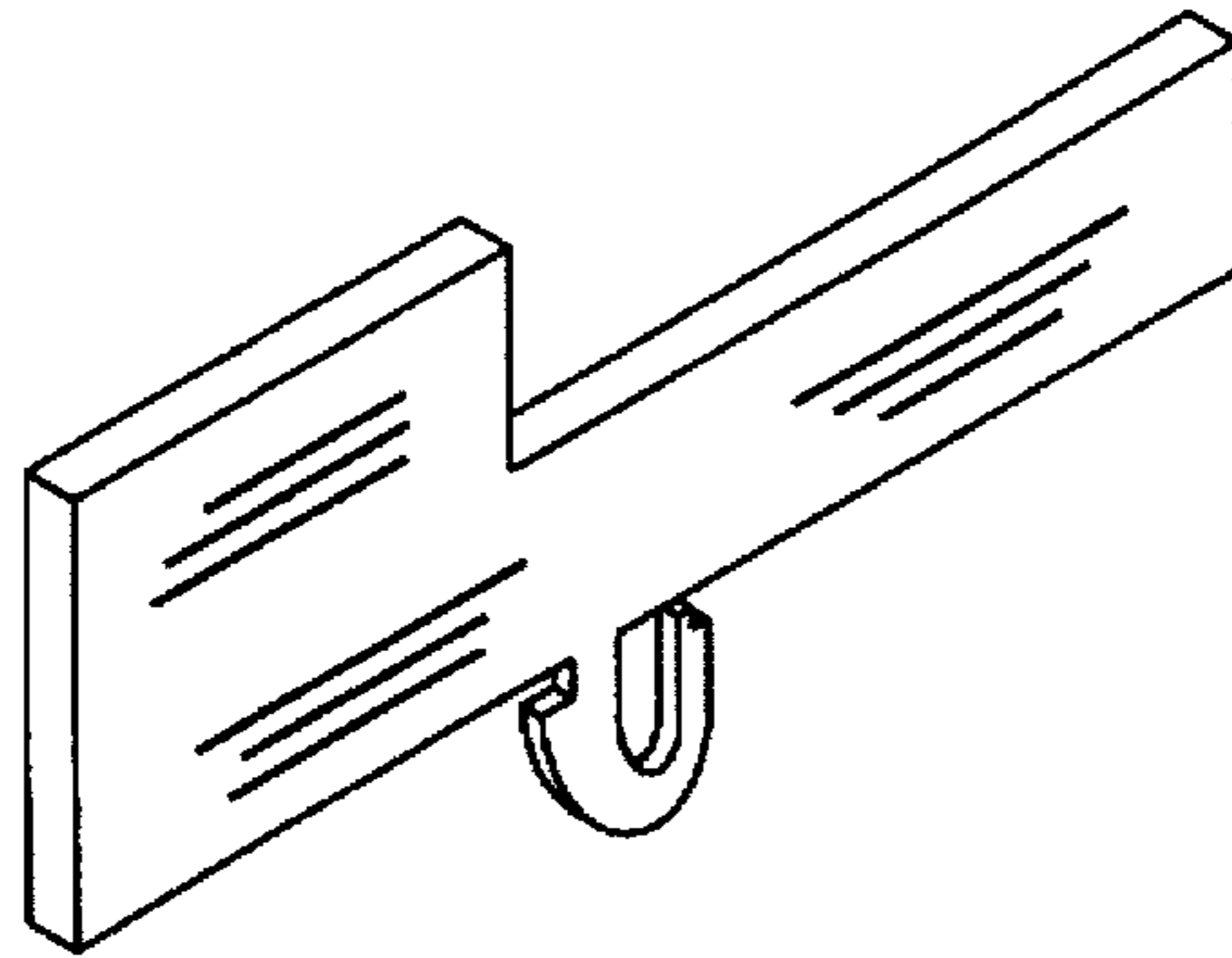


FIG. 3

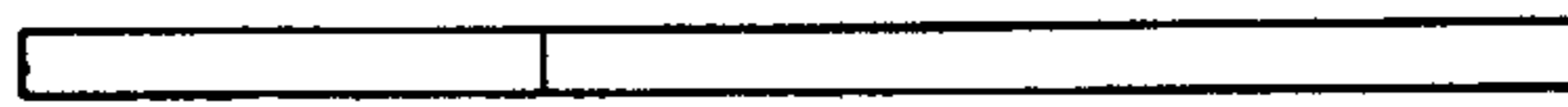


FIG. 6

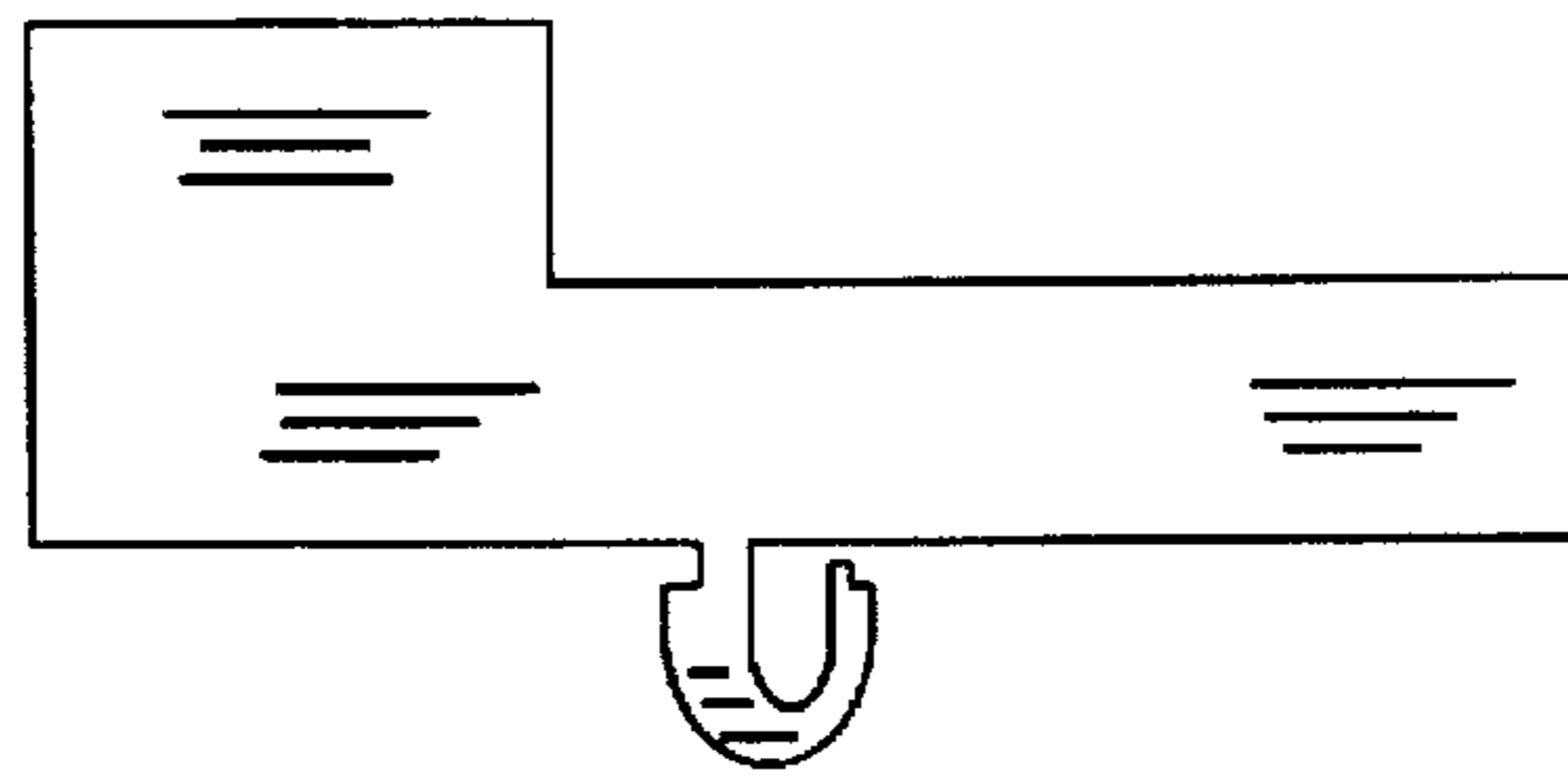


FIG. 2

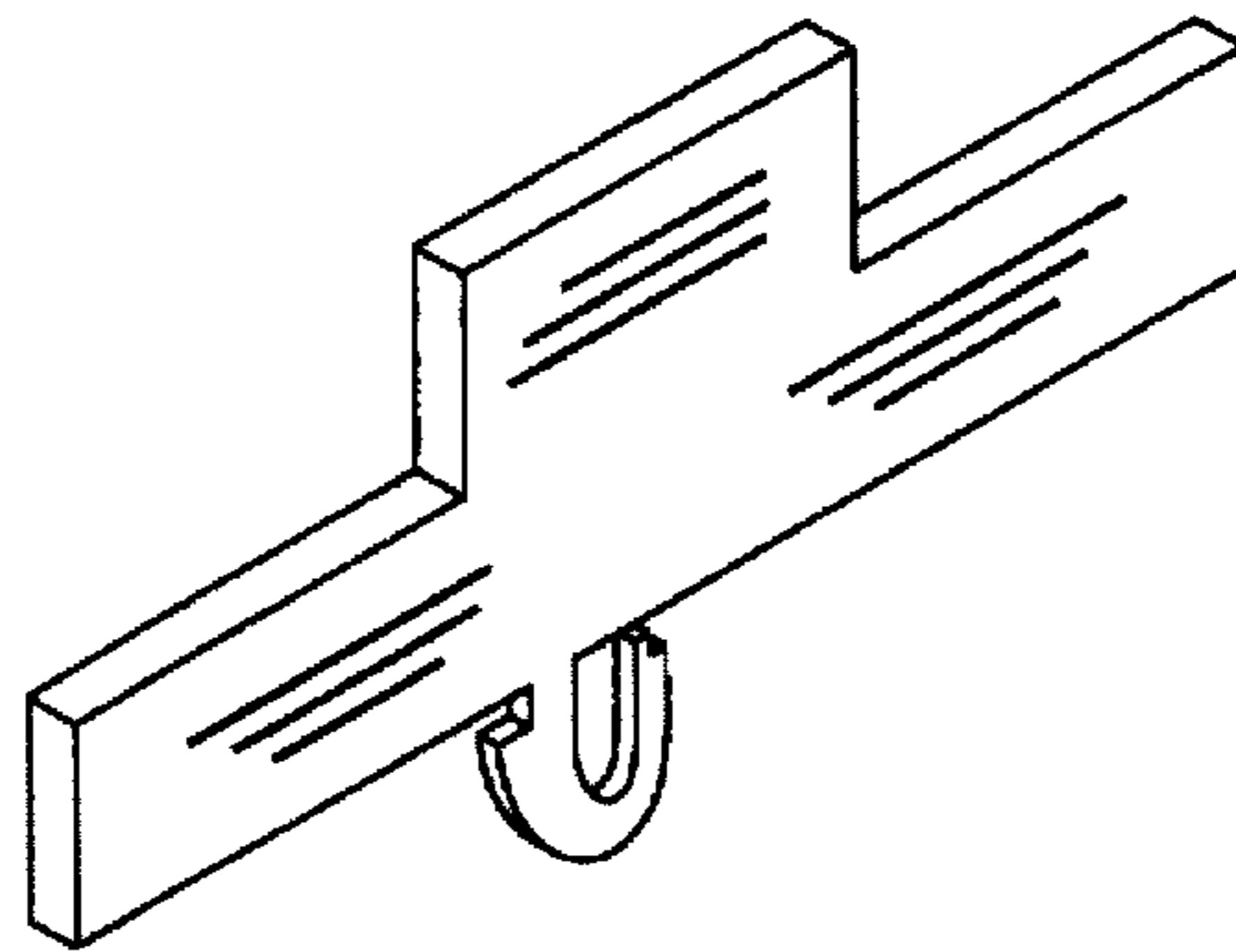


FIG. 5

FIG. 4



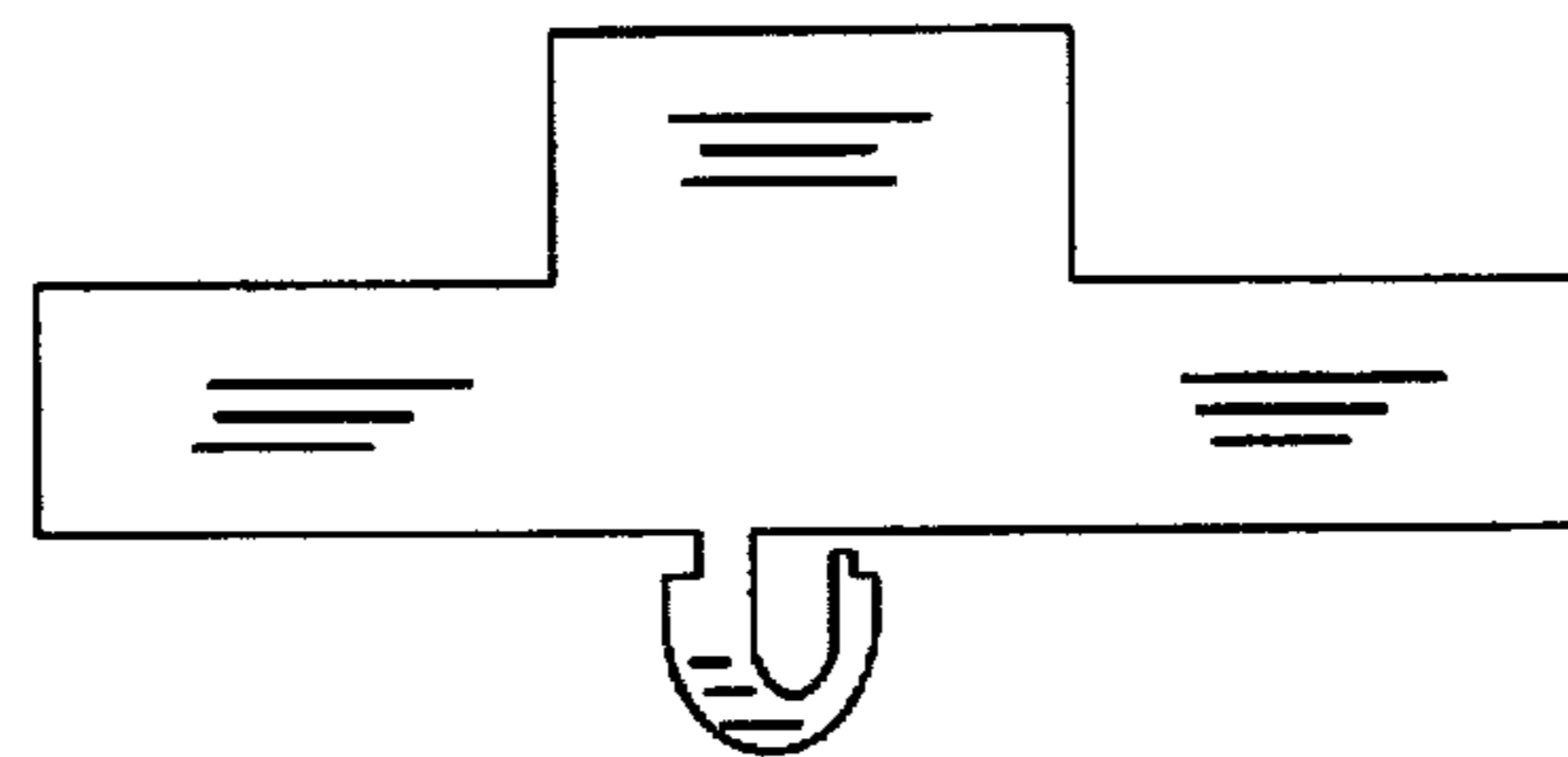
**FIG. 7**



**FIG. 9**



**FIG. 12**



**FIG. 8**



**FIG. 11**

**FIG. 10**

