



US00D391296S

United States Patent [19]
Hill, Sr.

[11] **Patent Number:** **Des. 391,296**
[45] **Date of Patent:** ****Feb. 24, 1998**

[54] **COUPON AND GROCERY LIST HOLDER**

[76] **Inventor:** **Edward W. Hill, Sr., 228 W. Elm St.,
Graham, N.C. 27253**

[**] **Term:** **14 Years**

[21] **Appl. No.:** **67,450**

[22] **Filed:** **Mar. 31, 1997**

[51] **LOC (6) Cl.** **19-02**

[52] **U.S. Cl.** **D19/90; D19/86; D6/553**

[58] **Field of Search** **D6/300, 553, 567,
D6/573-575; D19/65, 52, 75, 78, 81-86,
88, 87, 90, 91, 99, 100; D20/42, 43; D14/142;
206/232; 211/13, 87; 40/654.01, 107, 746,
701, 111, 122, 651, 722; 248/441.1, 465**

[56] **References Cited**

U.S. PATENT DOCUMENTS

D. 42,068	12/1911	Stippich	D19/52
D. 161,787	1/1951	Pakras et al.	D19/86 X
D. 234,557	3/1975	Tiburzi	D6/300
D. 259,221	5/1981	Gebbia	D3/60
D. 276,228	11/1984	Bartley et al.	D14/142
D. 297,149	8/1988	Johnston	D20/43
D. 366,903	2/1996	Baggott	D19/78
373,235	11/1887	Isbell	40/107
2,787,067	4/1957	Nichols	40/651
3,319,369	5/1967	Severson	40/654.01
3,464,135	9/1969	Eidinger	40/701

4,004,690	1/1977	Giarritta	206/425
4,133,123	1/1979	Anderson	40/1
4,802,575	2/1989	Martin	206/232
5,170,889	12/1992	Cue	206/232
5,350,197	9/1994	Schmidt	283/56
5,501,383	3/1996	Wilson	224/411

Primary Examiner—Martie Thompson
Attorney, Agent, or Firm—Rhodes, Coats & Bennett, L.L.P.

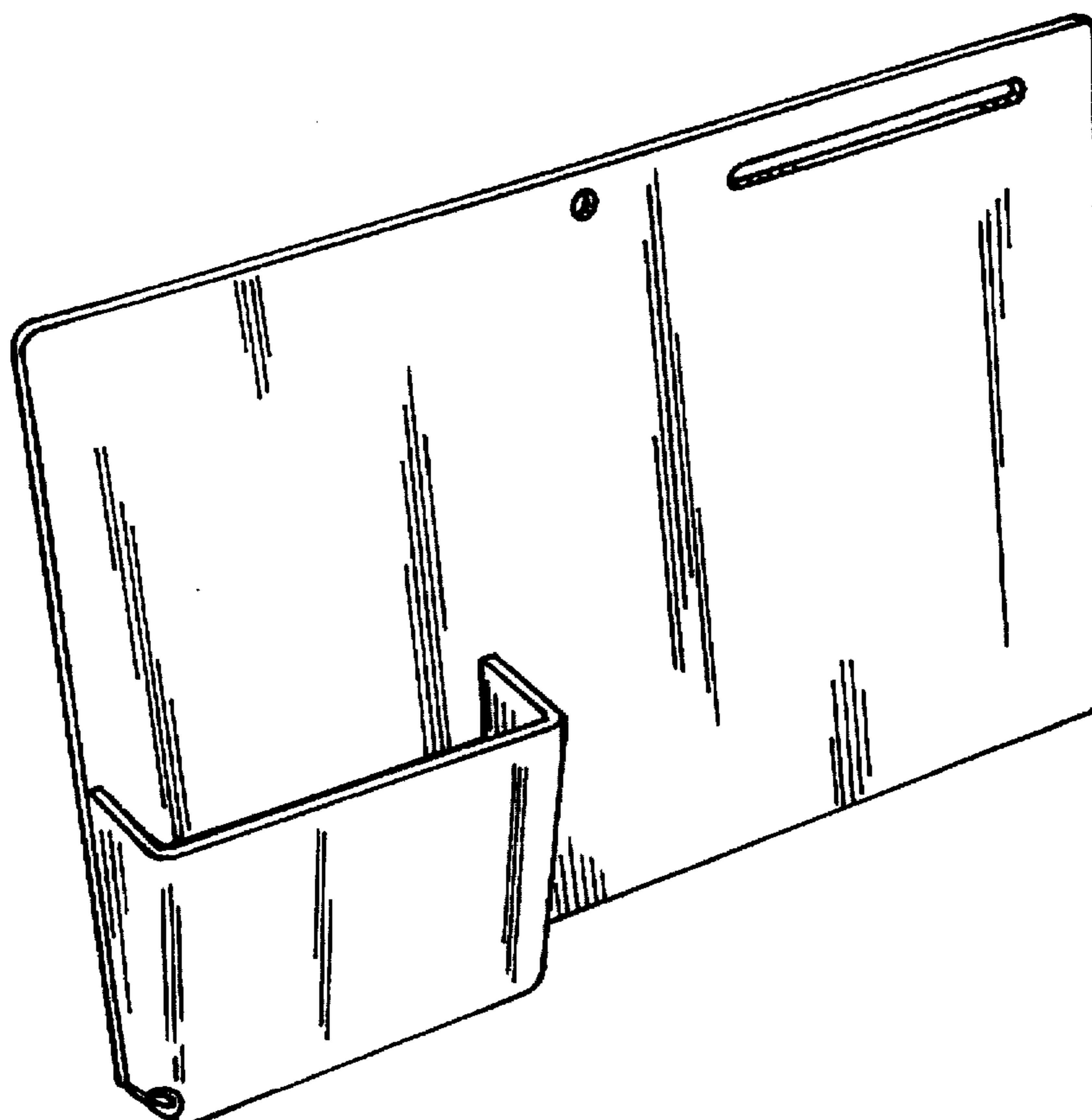
[57] **CLAIM**

The ornamental design for coupon and grocery list holder, as shown and described.

DESCRIPTION

FIG. 1 is a front perspective view of a coupon and grocery list holder showing my new design;
FIG. 2 is a front elevational view thereof, the broken line showing is for illustrating environmental elements only and forms no part of the claimed design;
FIG. 3 is a top plan view thereof;
FIG. 4 is a side elevational view thereof, the opposite side elevational view being a mirror image thereof;
FIG. 5 is a rear elevational view thereof;
FIG. 6 is a bottom plan view thereof;
FIG. 7 is a front elevational view of a second embodiment of the coupon and grocery list holder shown in FIG. 2; and,
FIG. 8 is a front elevational view of a third embodiment of the coupon and grocery list holder shown in FIG. 2.

1 Claim, 2 Drawing Sheets



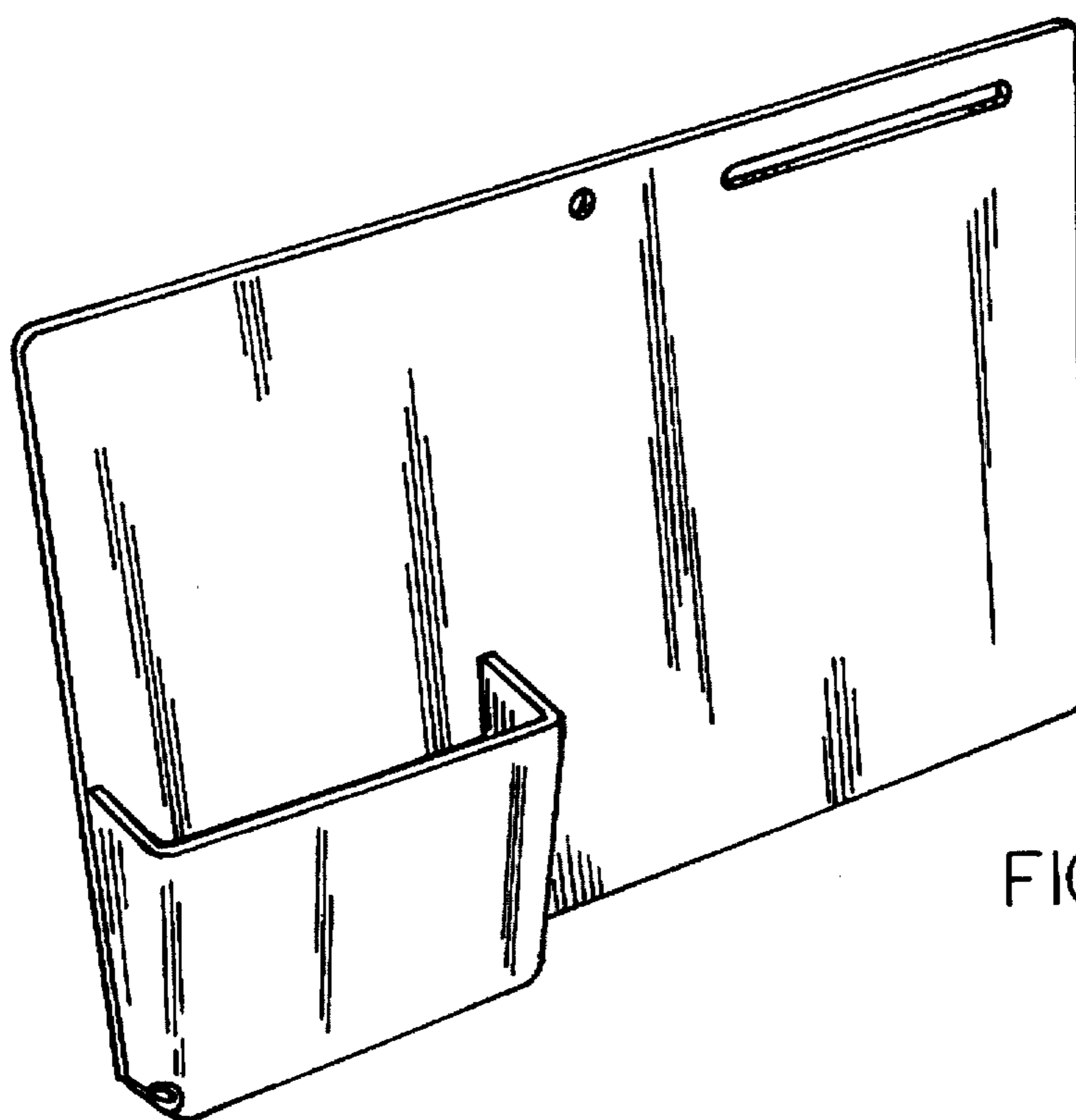


FIG. 1

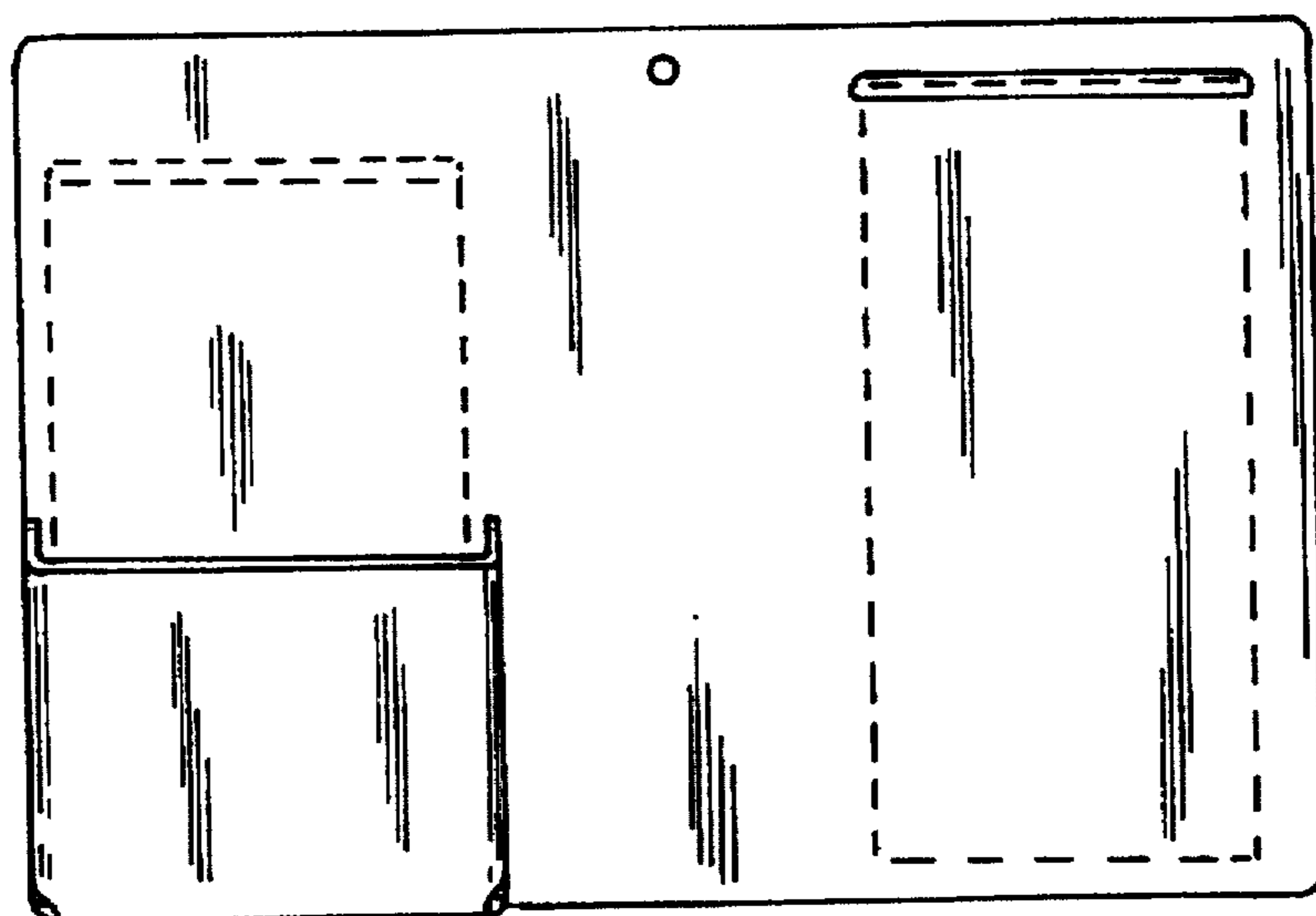


FIG. 2

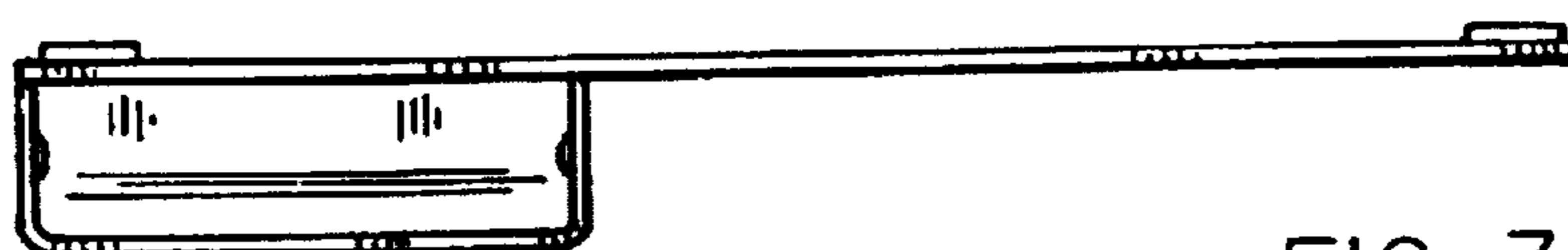


FIG. 3

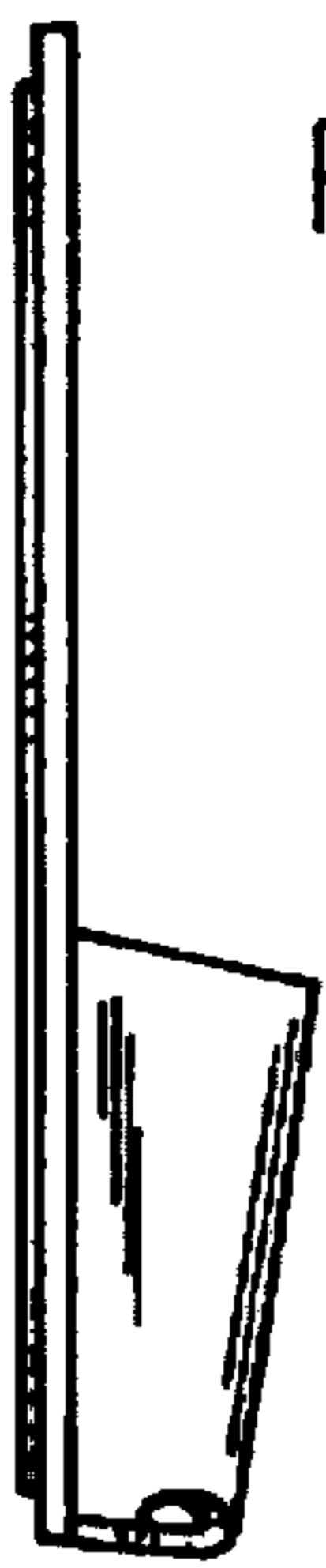


FIG. 4

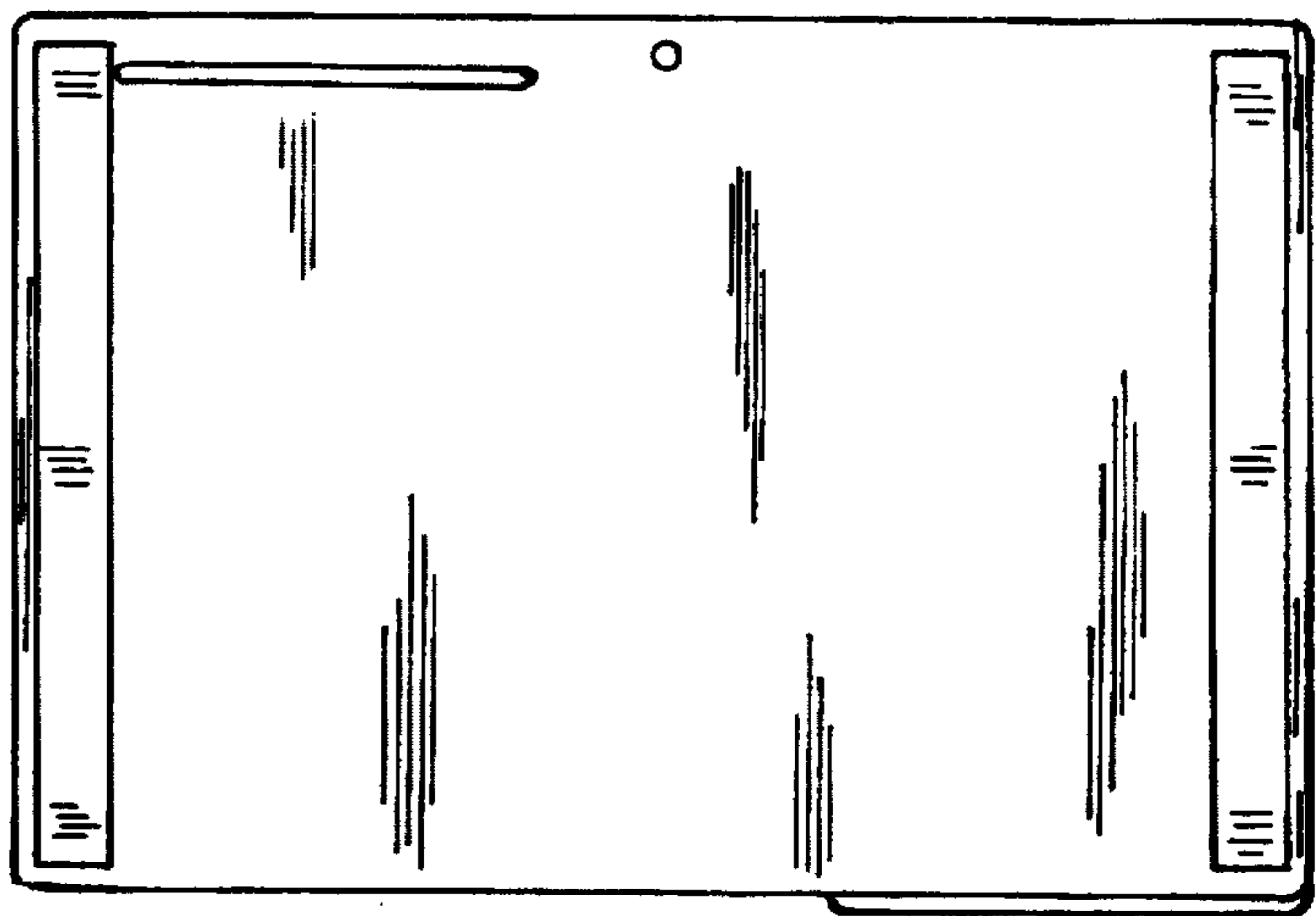


FIG. 5

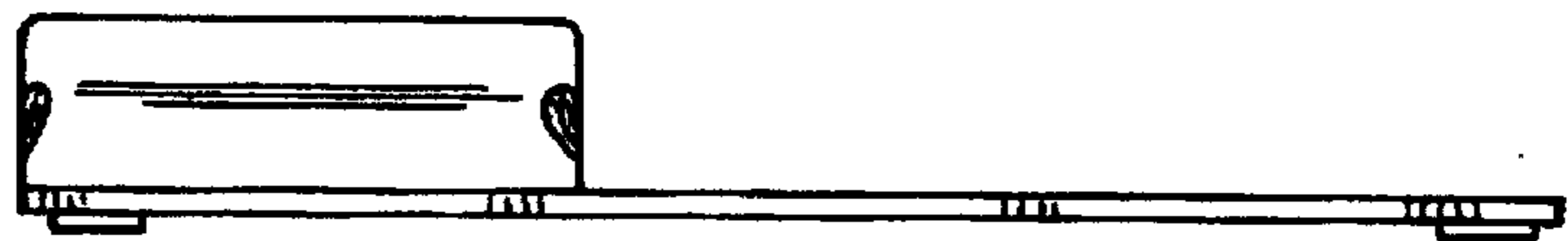


FIG. 6

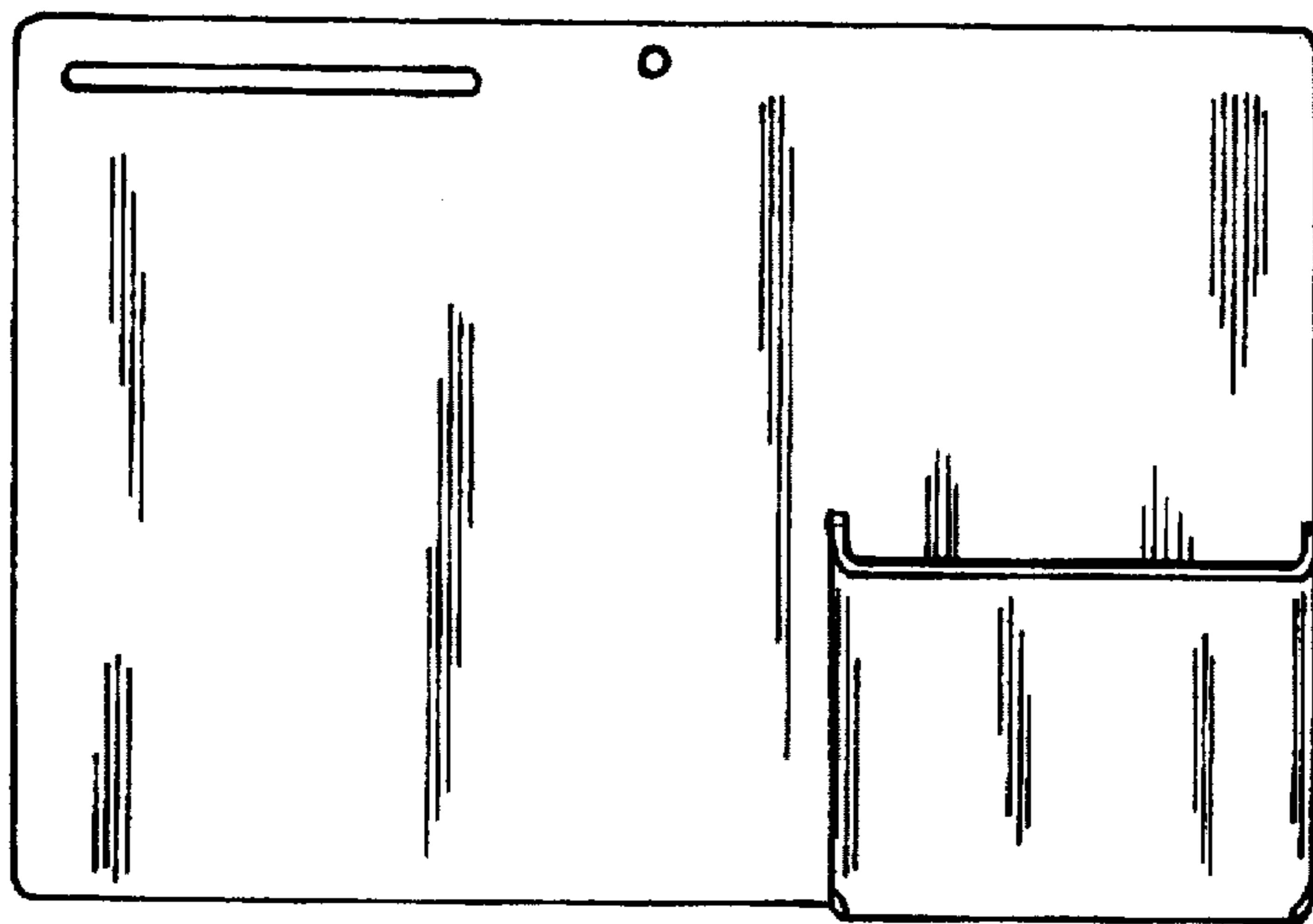


FIG. 7

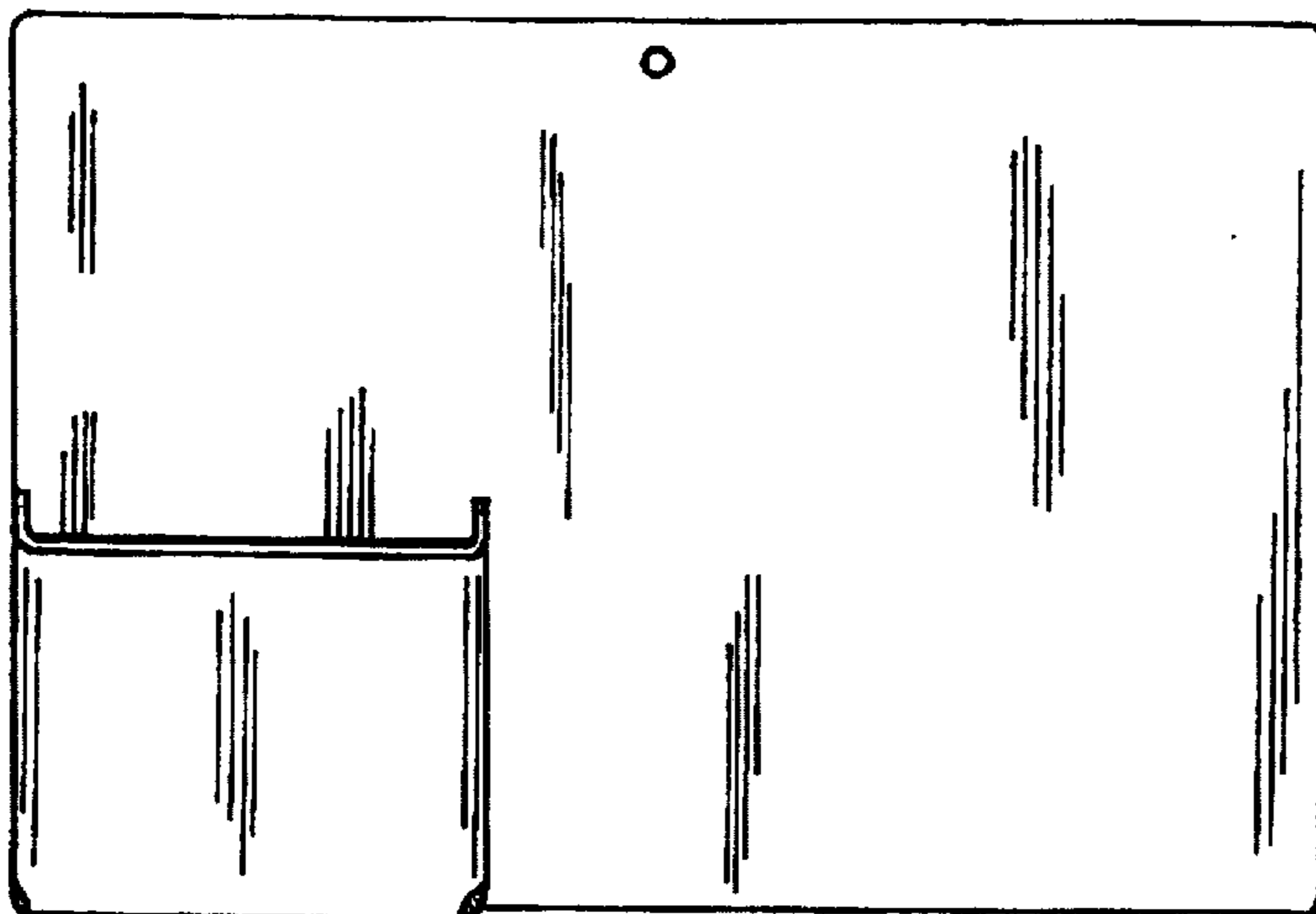


FIG. 8