



US00D391293S

United States Patent [19]

Hino et al.

[11] Patent Number: **Des. 391,293**

[45] Date of Patent: ****Feb. 24, 1998**

[54] **INK CARTRIDGE**

[75] Inventors: **Motohito Hino; Yuichi Harada**, both of Aichi-ken, Japan

[73] Assignee: **Pitney Bowes Inc.**, Stamford, Conn.

[**] Term: **14 Years**

[21] Appl. No.: **58,795**

[22] Filed: **Aug. 23, 1996**

[51] LOC (6) Cl. **18-02**

[52] U.S. Cl. **D18/56; 347/86**

[58] Field of Search **D18/56; 347/86-88**

402000514	1/1990	Japan	347/87
404288238	10/1992	Japan	347/86
4050008387	1/1993	Japan	347/87
405162326	6/1993	Japan	347/86
405254111	10/1993	Japan	347/86
406115093	4/1994	Japan	347/87

Primary Examiner—Cathy Anne MacCormac
Attorney, Agent, or Firm—Steven J. Shapiro; Melvin J. Scolnick

[57] CLAIM

The ornamental design for an ink cartridge, as shown and described.

DESCRIPTION

FIG. 1 is a top front perspective which incorporates the new design;

FIG. 2 is a bottom front perspective thereof;

FIG. 3 is a top plan view thereof;

FIG. 4 is a front elevational view thereof;

FIG. 5 is a left side elevational view thereof;

FIG. 6 is a right side elevational view thereof;

FIG. 7 is a back elevational view thereof; and,

FIG. 8 is a bottom plan view thereof.

References Cited

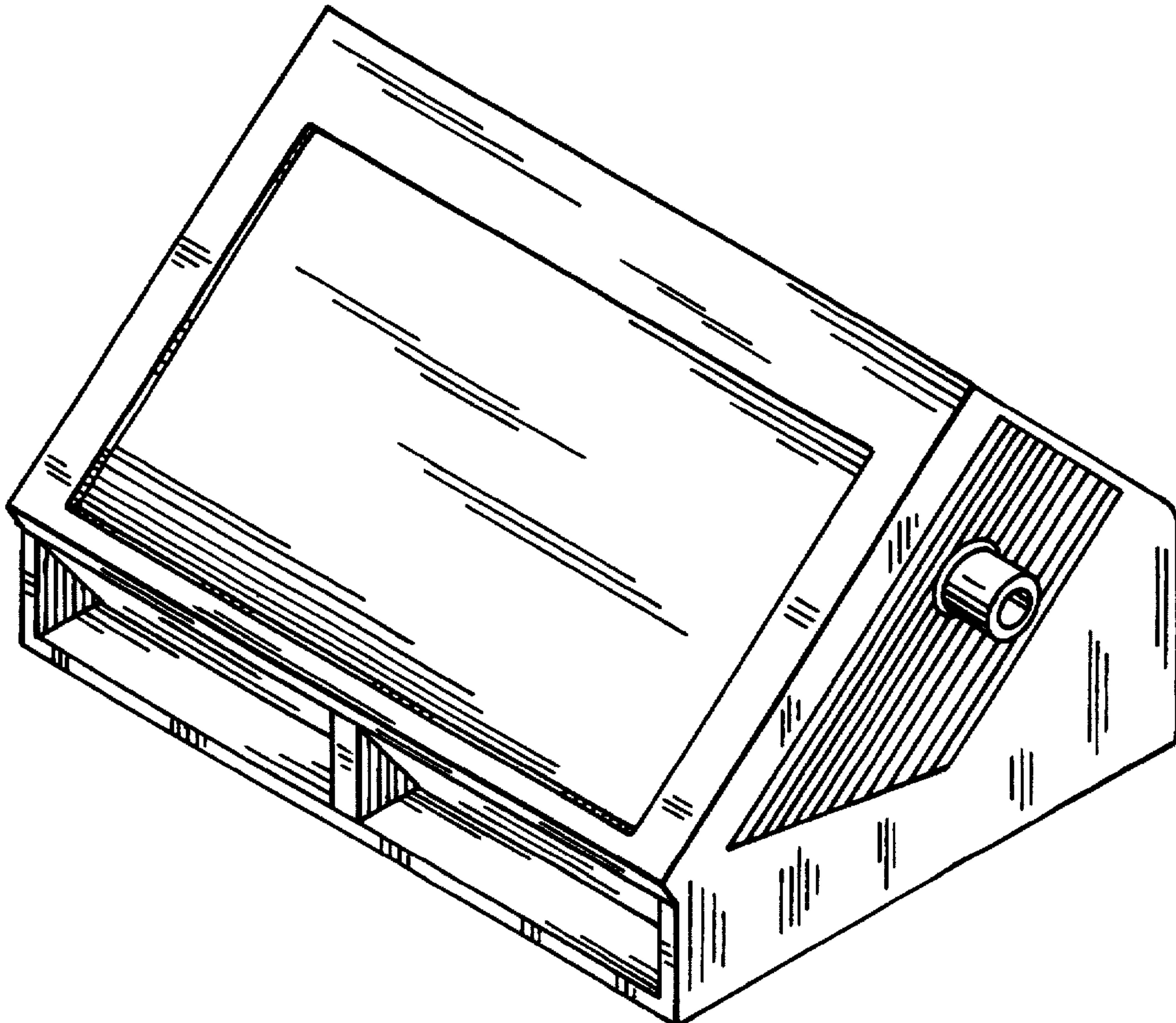
U.S. PATENT DOCUMENTS

4,074,284	2/1978	Dexter et al.	347/86
4,530,611	7/1985	Borcenk et al.	347/86
4,593,294	6/1986	Parisi	347/86
4,791,439	12/1988	Guiles	347/88
5,170,187	12/1992	Oikawa	347/88
5,477,963	12/1995	Mochizuki et al.	347/88
5,552,816	9/1996	Oda et al.	347/86

FOREIGN PATENT DOCUMENTS

003405164	8/1985	Germany	347/86
-----------	--------	---------	--------

1 Claim, 4 Drawing Sheets



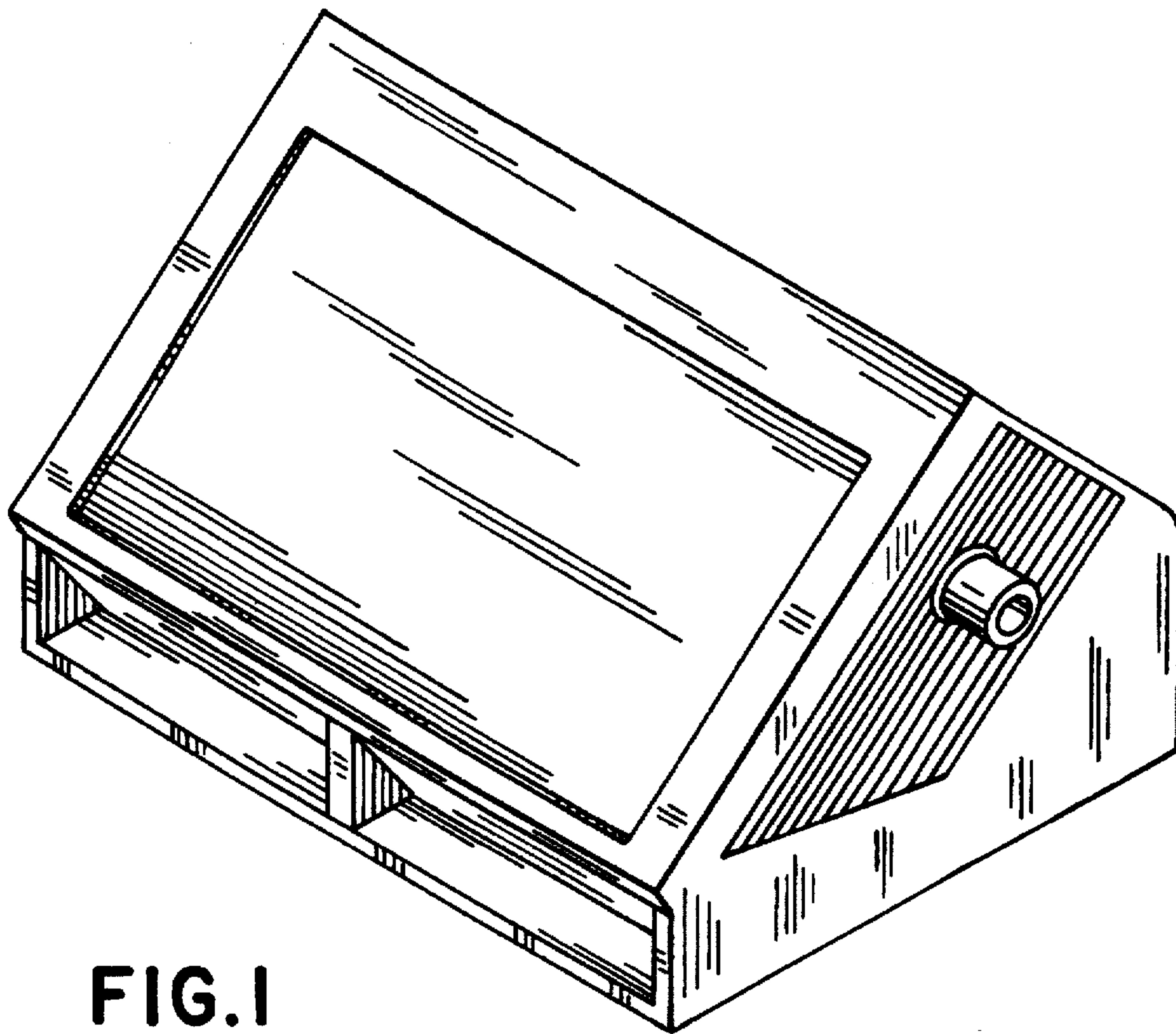


FIG. 1

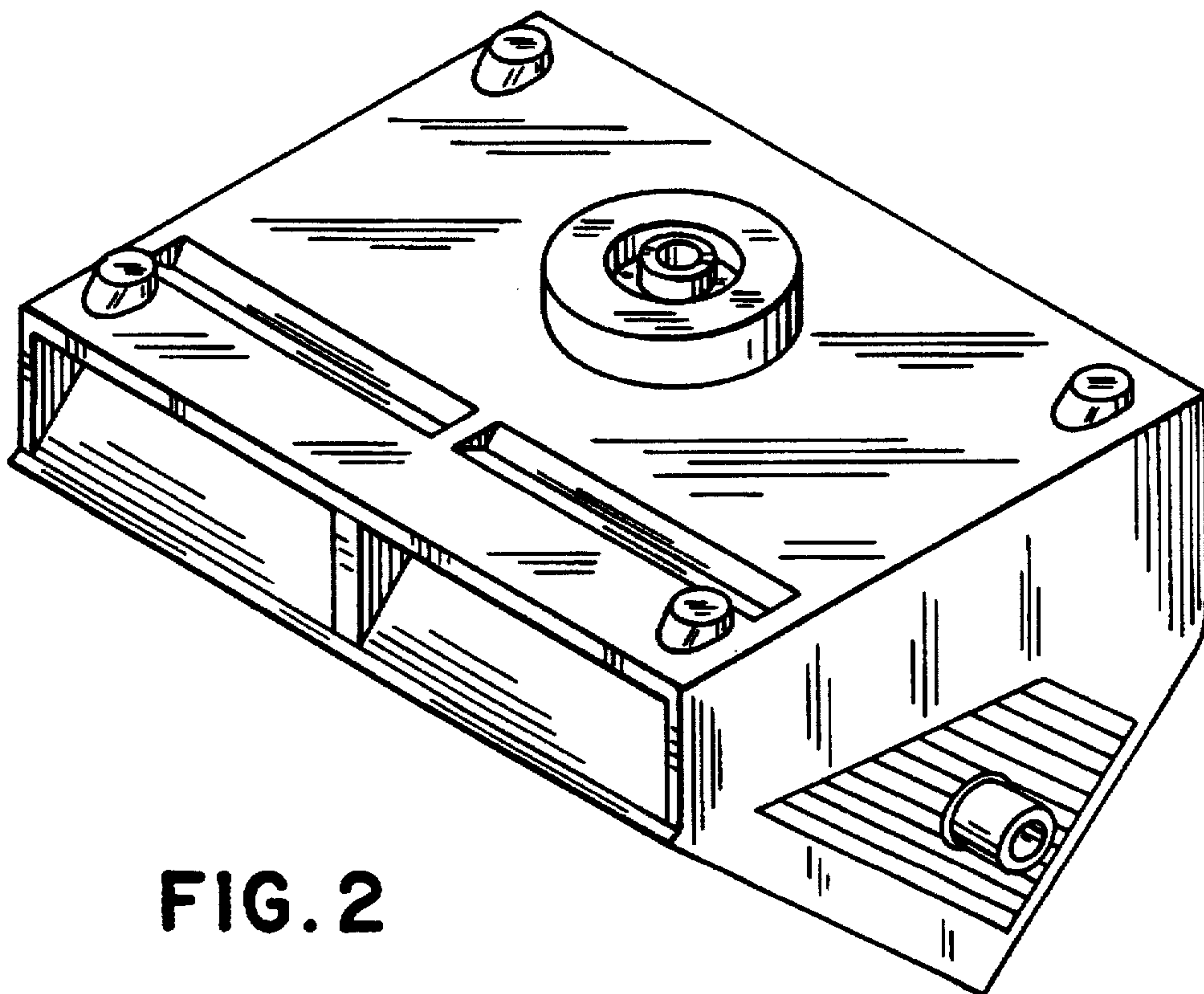


FIG. 2

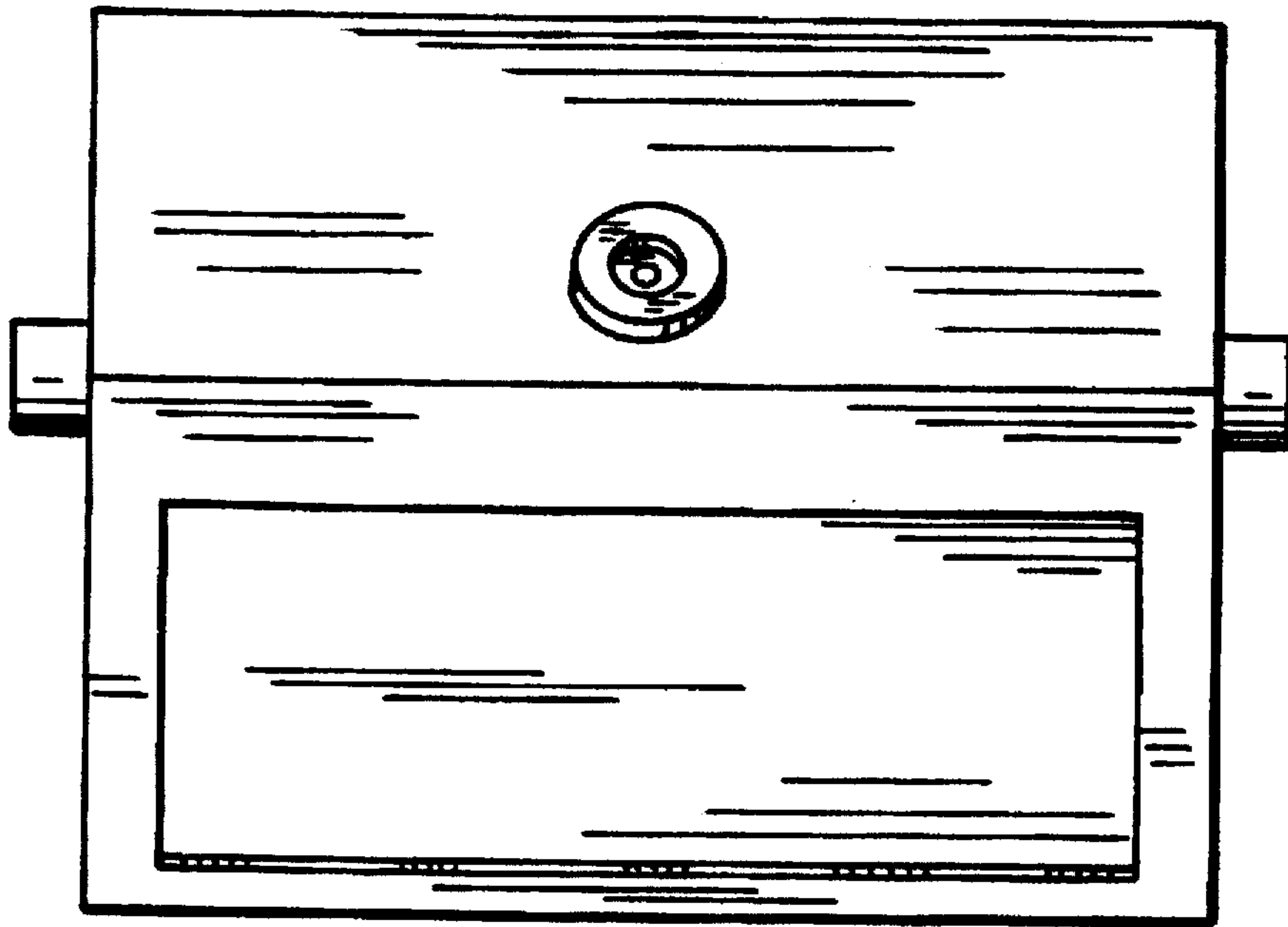


FIG. 3

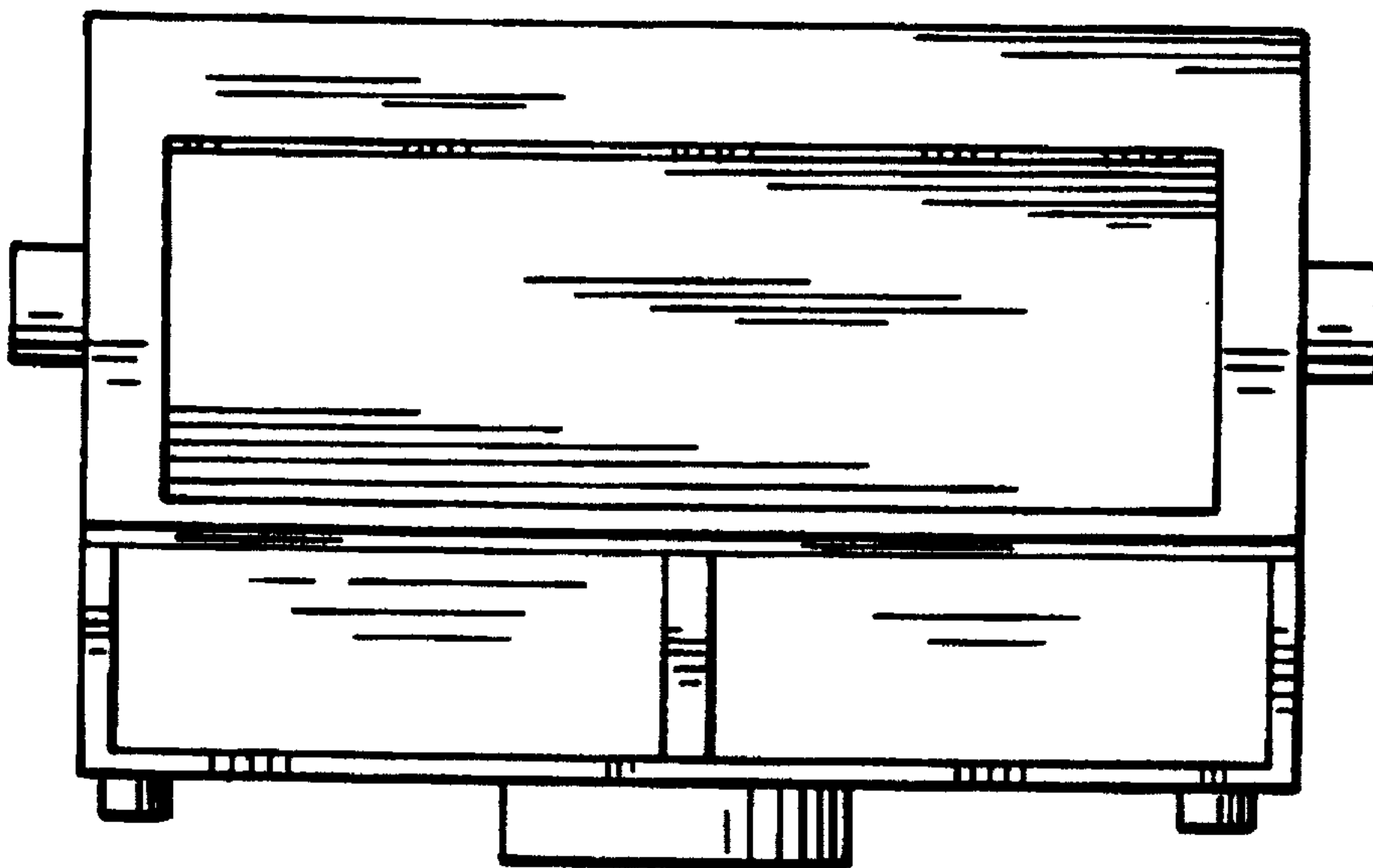


FIG. 4

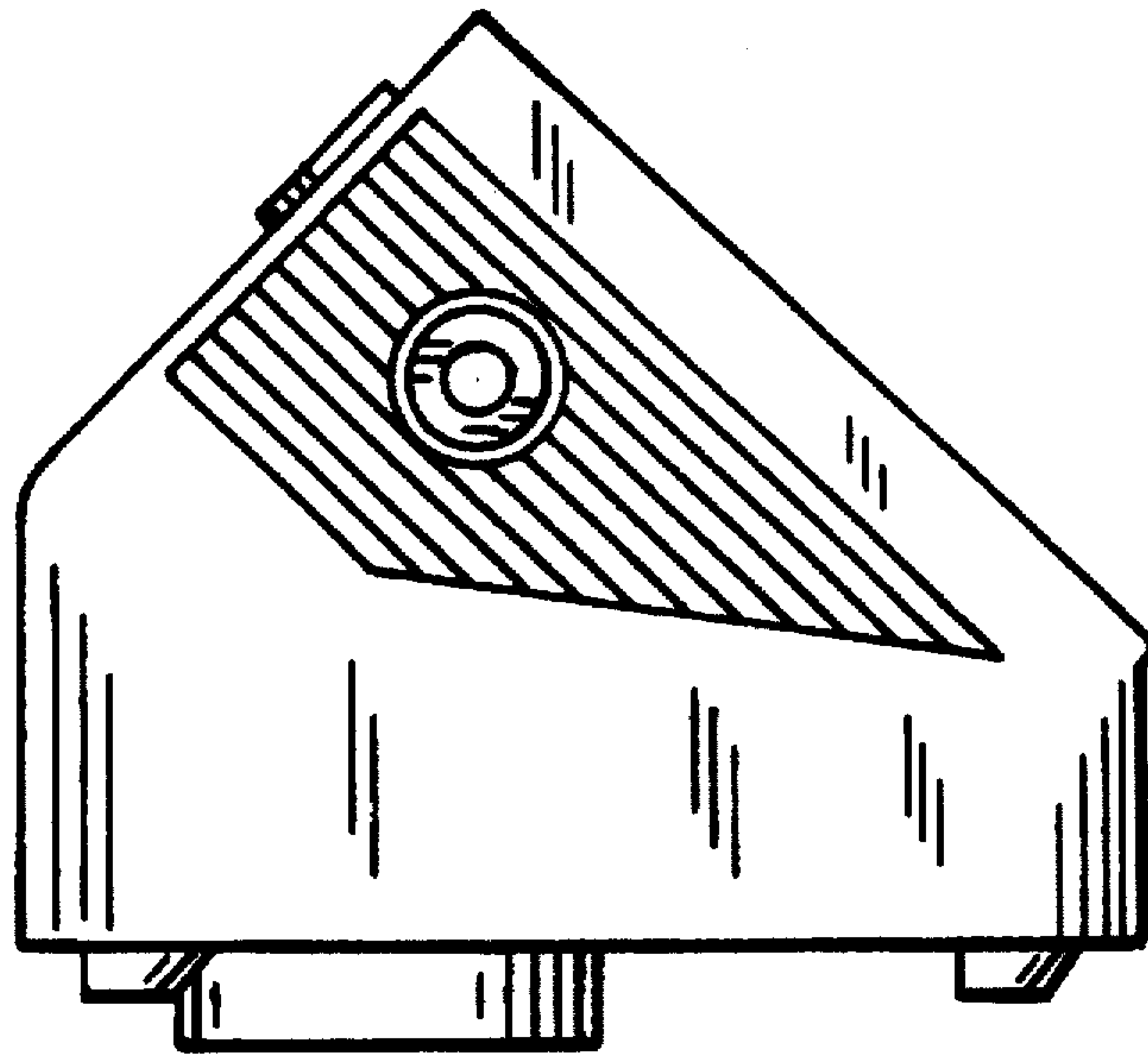


FIG. 5

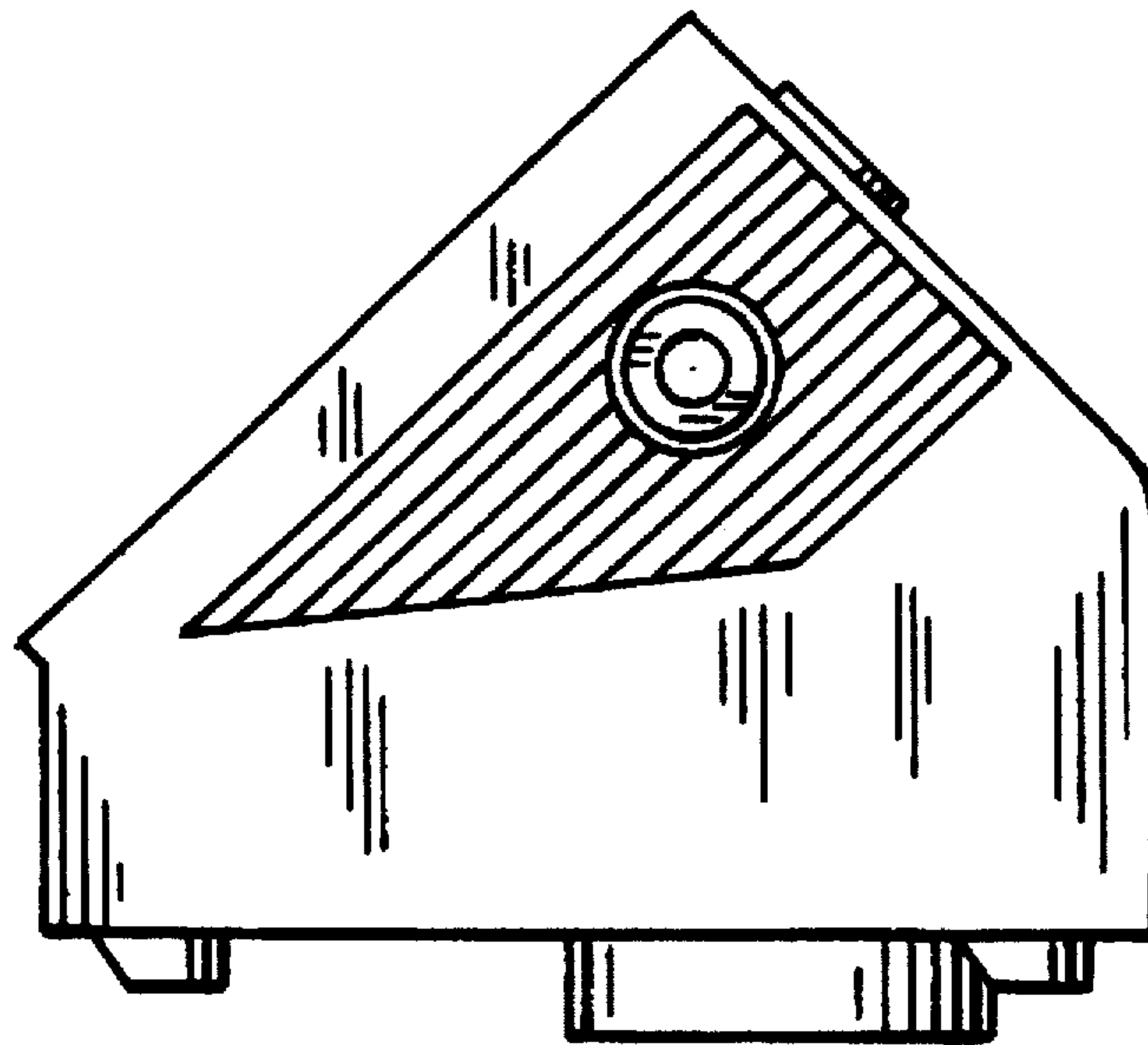


FIG. 6

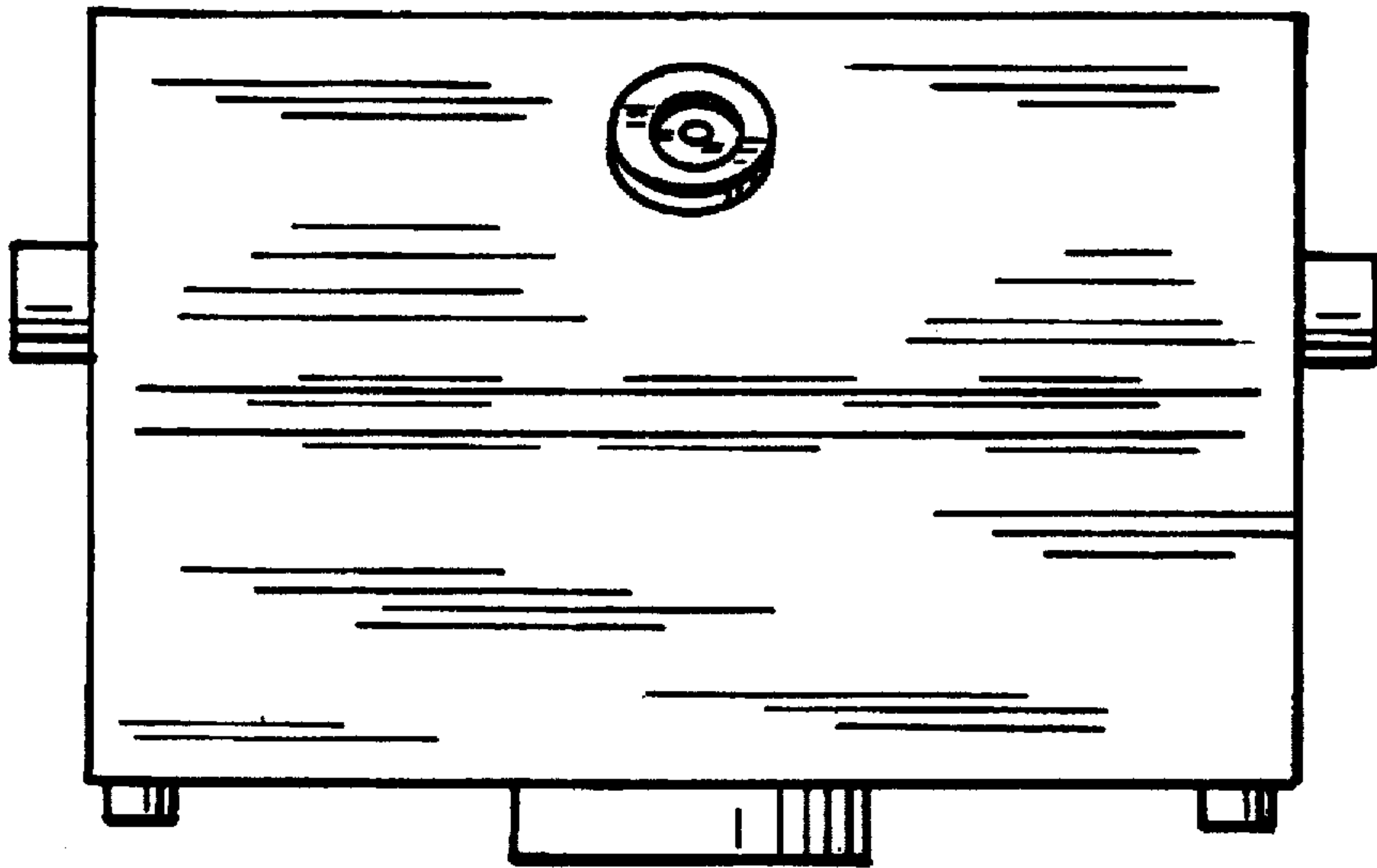


FIG. 7

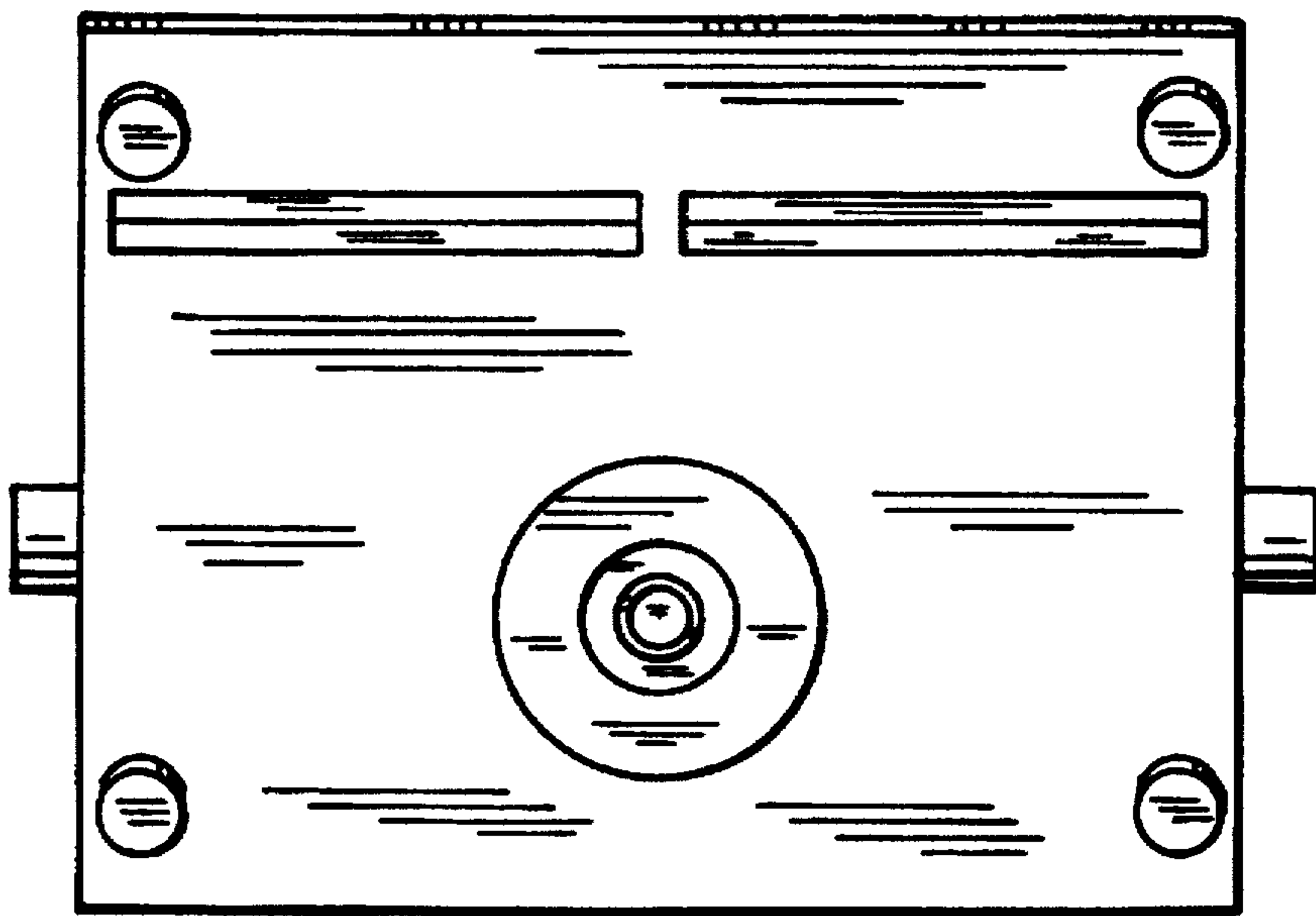


FIG. 8