



US00D391290S

United States Patent [19]
Chan

[11] **Patent Number: Des. 391,290**
[45] **Date of Patent: **Feb. 24, 1998**

[54] **RING BINDER**

[75] **Inventor: Keung Chan, An Hsin City, China**

[73] **Assignee: Leco Stationery Manufacturing Co.,Ltd., Hong Kong, Hong Kong**

[**] **Term: 14 Years**

[21] **Appl. No.: 60,297**

[22] **Filed: Sep. 18, 1996**

[30] **Foreign Application Priority Data**

Jul. 23, 1996 [GB] United Kingdom 2057877

[51] **LOC (6) Cl. 19-04**

[52] **U.S. Cl. D19/32; D19/27**

[58] **Field of Search D19/26, 27, 32, D19/49, 100; 281/29, 31, 33, 45, 19.2; 402/60, 70, 75, 76, 77, 26, 38, 39, 37, 80 R, 80 P**

[56] **References Cited**

U.S. PATENT DOCUMENTS

D. 273,796 5/1984 Milden D19/27

D. 325,928 5/1992 Bourgeois D19/27
4,518,275 5/1985 Rauch, III et al. 402/80 P
4,750,884 6/1988 Bourgeois et al. 402/75
4,765,462 8/1988 Rose, Jr. D19/27 X

OTHER PUBLICATIONS

U.S. Government Office & Furnishings Supply Catalog, p. 158 see ring binder #11452, ©1981.

Primary Examiner—Martie Thompson
Attorney, Agent, or Firm—Dority & Manning, P.A.

[57] **CLAIM**

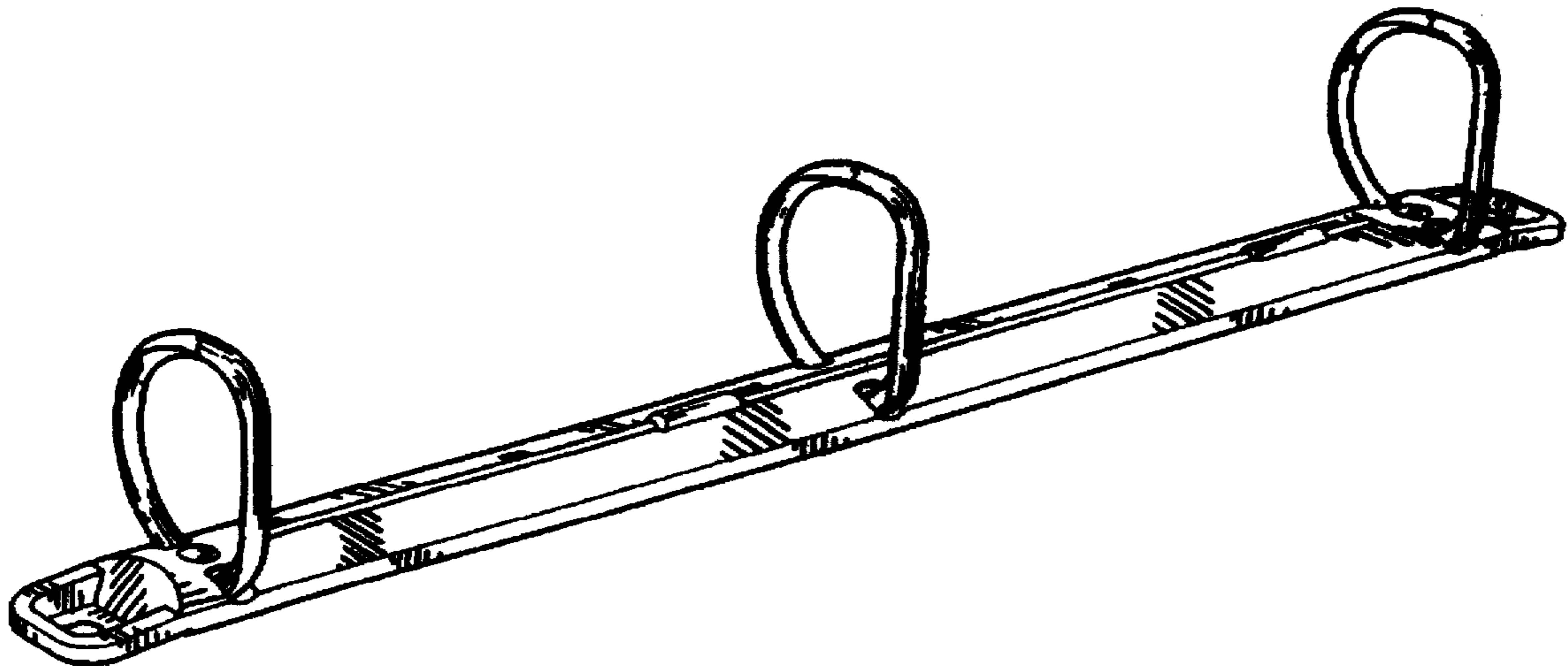
The ornamental design for a ring binder, as shown and described.

DESCRIPTION

FIG. 1 is a perspective view of an embodiment of the ring binder according to the present invention with rings closed; FIG. 2 is a perspective view of a ring binder as in FIG. 1 with rings open;

FIG. 3 is a side view of the ring binder as in FIG. 1; FIG. 4 is a top view of the ring binder as in FIG. 1; FIG. 5 is a front view of the ring binder as in FIG. 1; FIG. 6 is a side view of the ring binder as in FIG. 1; FIG. 7 is a bottom view of the ring binder as in FIG. 1; and FIG. 8 is an end view of the ring binder as in FIG. 1.

1 Claim, 3 Drawing Sheets



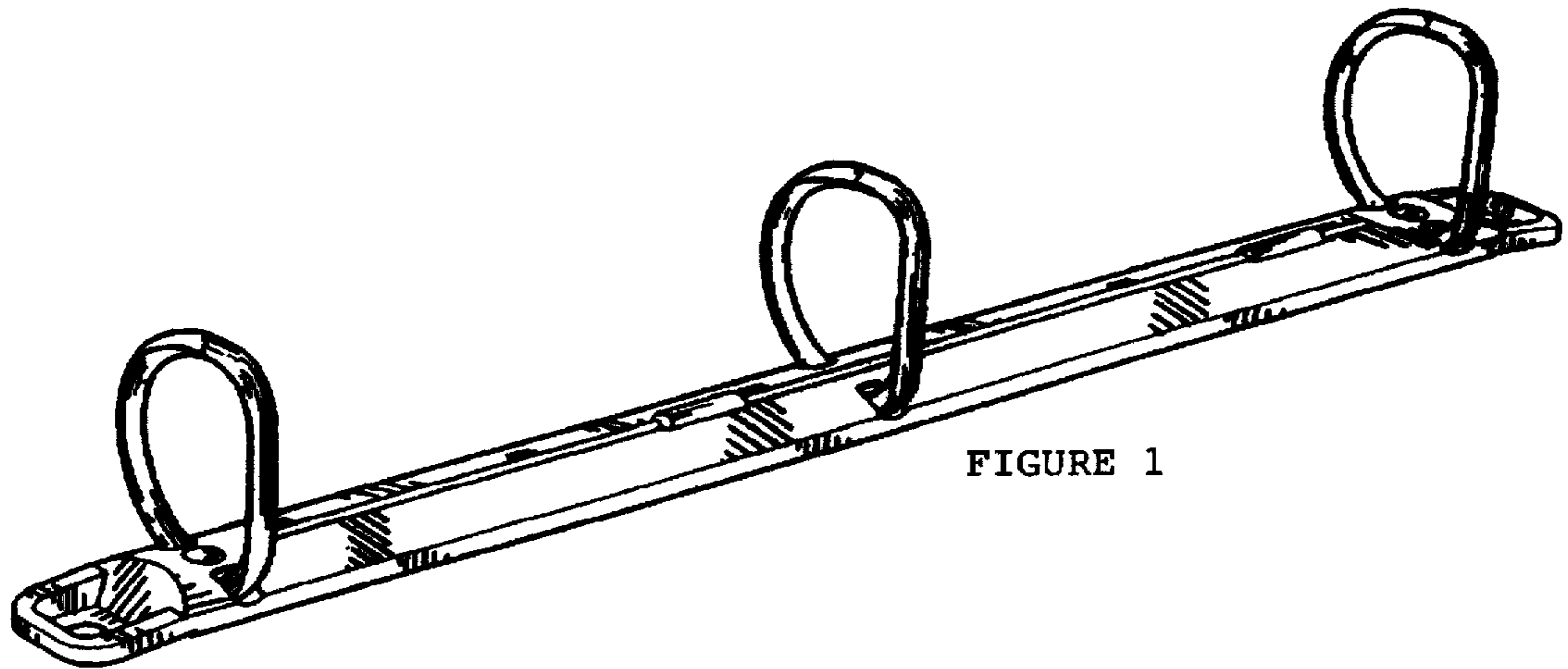


FIGURE 1

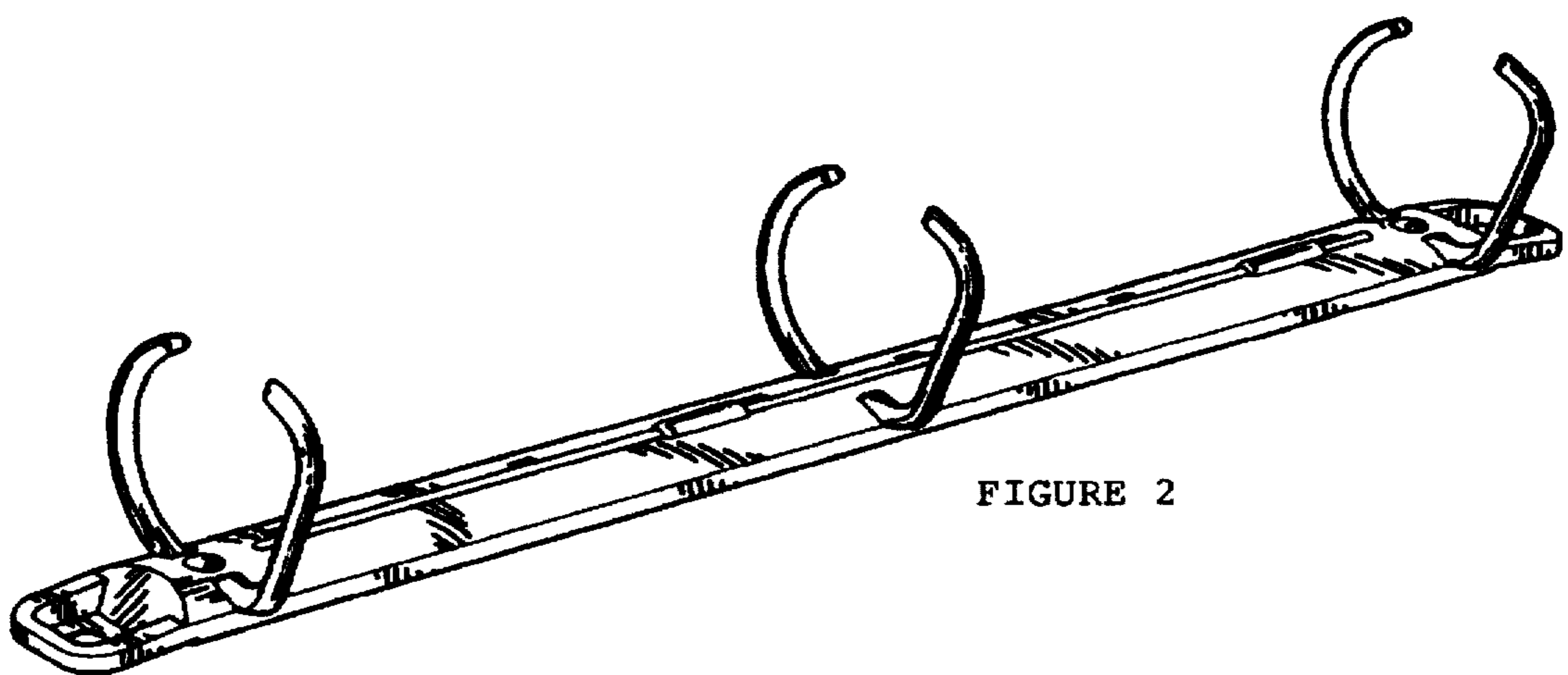


FIGURE 2

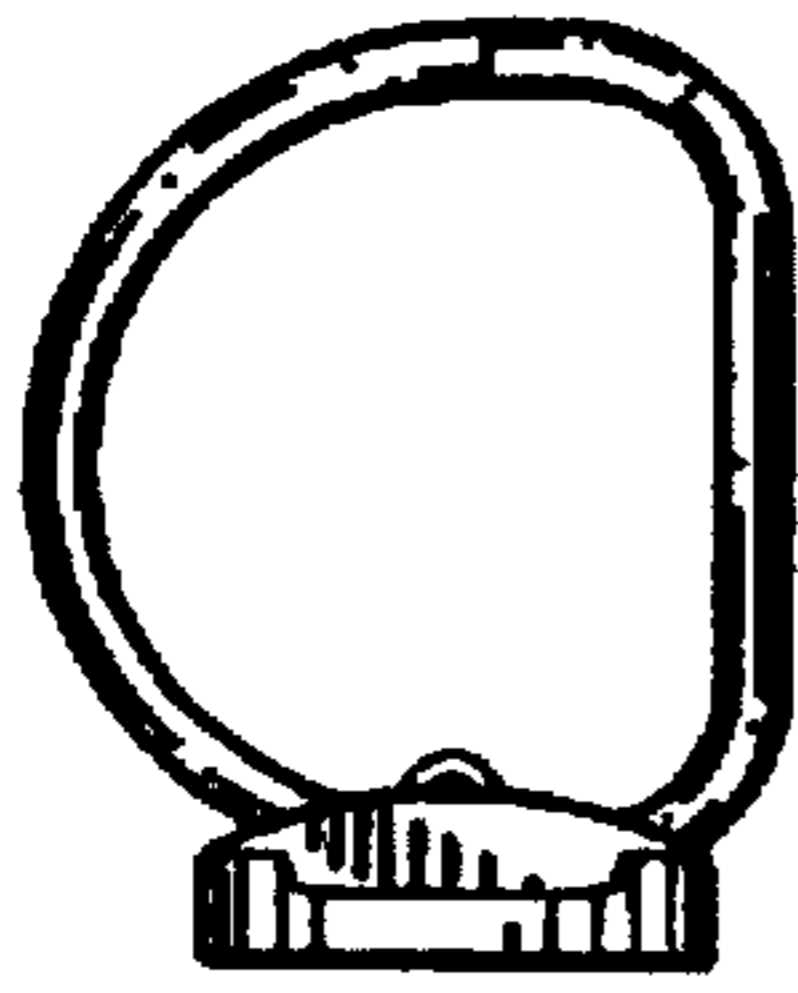


FIGURE 5

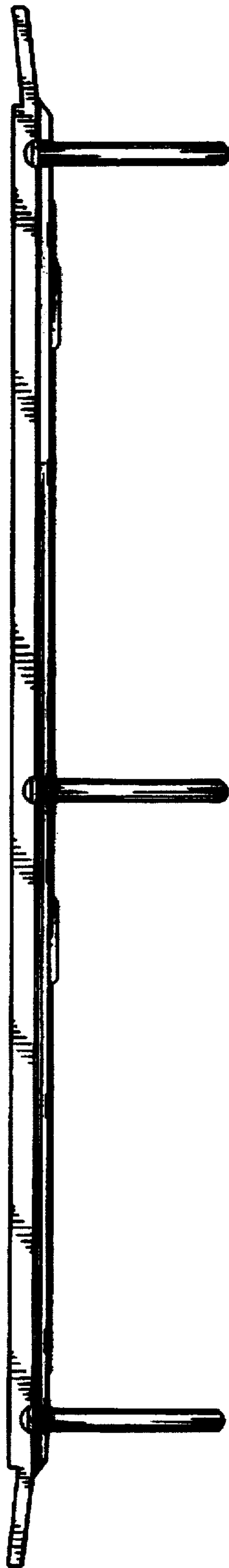


FIGURE 3

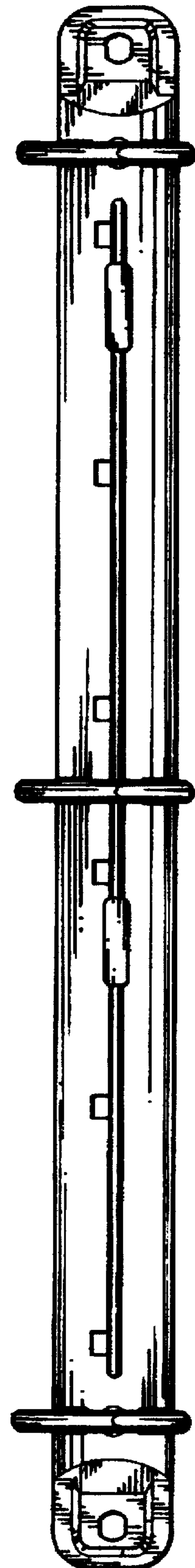


FIGURE 4

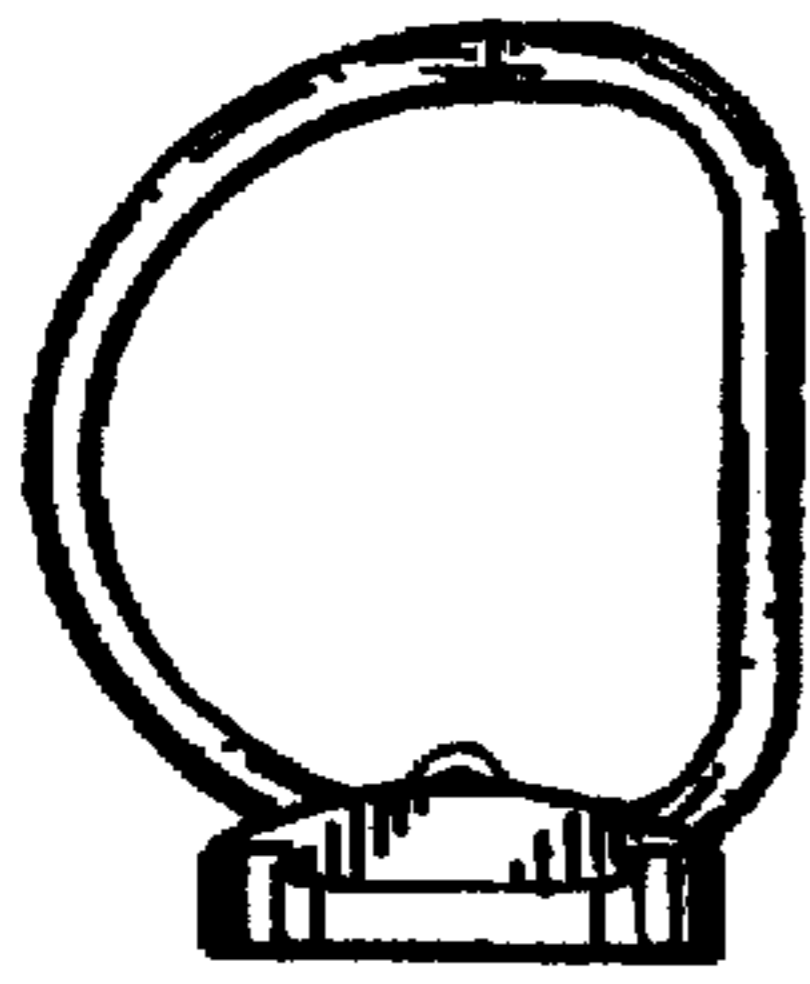


FIGURE 8

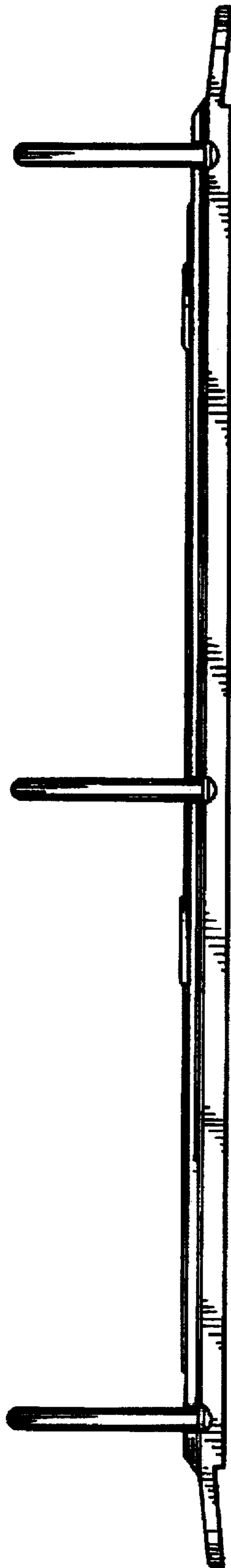


FIGURE 6

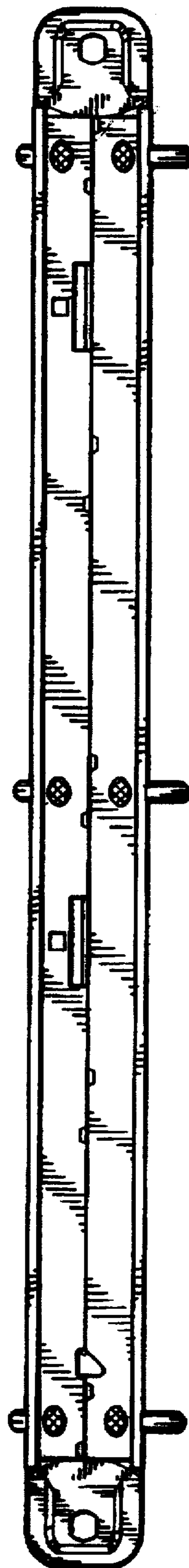


FIGURE 7