



US00D391289S

# United States Patent [19]

[11] Patent Number: **Des. 391,289**

Inoue et al.

[45] Date of Patent: **\*\*Feb. 24, 1998**

[54] **INK TANK FOR PRINTER**

5,408,256 4/1995 Keen et al. .... 347/87  
5,477,255 12/1995 Huth ..... 347/87

[75] Inventors: **Manabu Inoue**, Yokohama; **Hajime Kishida**, Tokyo; **Osamu Sato**, Chigasaki, all of Japan

### FOREIGN PATENT DOCUMENTS

000523635 1/1993 European Pat. Off. .... 347/87  
000635373 1/1995 European Pat. Off. .... 347/86  
000639461 2/1995 European Pat. Off. .... 347/86  
003446182 7/1985 Germany ..... 347/87  
360192639 10/1985 Japan ..... 347/87  
363239062 10/1988 Japan ..... 347/87  
406115093 4/1994 Japan ..... 347/87

[73] Assignee: **Canon Kabushiki Kaisha**, Tokyo, Japan

[\*\*] Term: **14 Years**

[21] Appl. No.: **69,117**

*Primary Examiner*—Cathy Anne MacCormac  
*Attorney, Agent, or Firm*—Fitzpatrick, Cella, Harper & Scinto

[22] Filed: **Apr. 11, 1997**

[30] **Foreign Application Priority Data**

[57] **CLAIM**

Oct. 16, 1996 [JP] Japan ..... 8-30935

The ornamental design for an ink tank for printer, as shown and described.

[51] LOC (6) Cl. .... **18-02**

[52] U.S. Cl. .... **D18/56; 347/86**

[58] Field of Search ..... D18/56, 43; 347/86-87

### DESCRIPTION

[56] **References Cited**

FIG. 1 is a front view of an ink tank for printer showing our new design;  
FIG. 2 is a rear view thereof;  
FIG. 3 is a top plan view thereof;  
FIG. 4 is a bottom plan view thereof;  
FIG. 5 is a left side view thereof;  
FIG. 6 is a right side view thereof; and,  
FIG. 7 is a perspective view thereof.

### U.S. PATENT DOCUMENTS

D. 352,110 11/1994 Tokuda et al. .... D18/56  
D. 359,755 6/1995 Tokuda et al. .... D18/56  
D. 367,884 3/1996 Taneya et al. .... D18/56  
D. 371,803 7/1996 Kawashima et al. .... 347/86  
D. 380,490 7/1997 Tashiro et al. .... D18/56  
D. 381,039 7/1997 Shinada et al. .... 347/86  
4,998,115 3/1991 Nevarez et al. .... 347/87  
5,278,584 1/1994 Keefe et al. .... 347/87

**1 Claim, 3 Drawing Sheets**

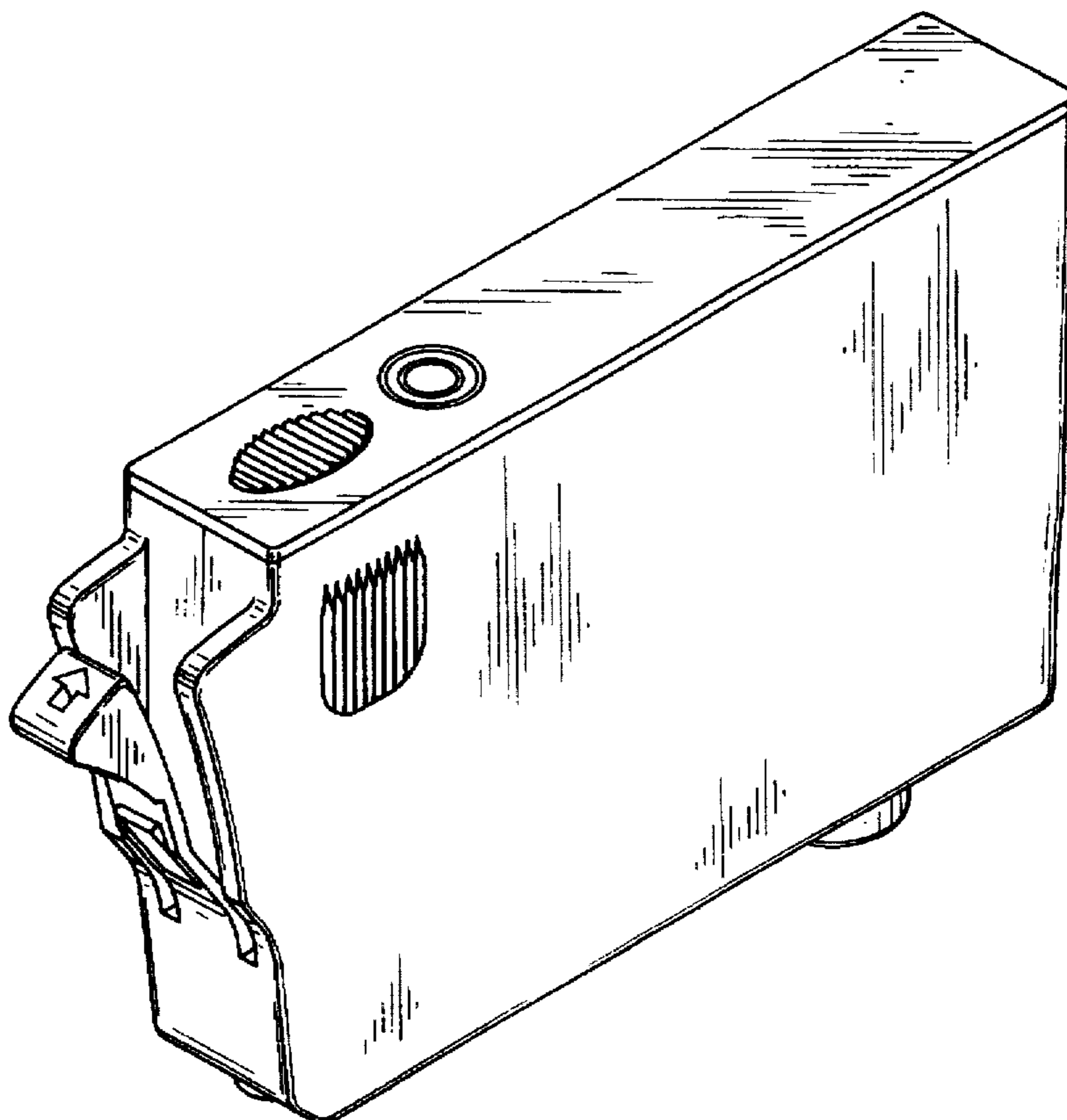


FIG. 1

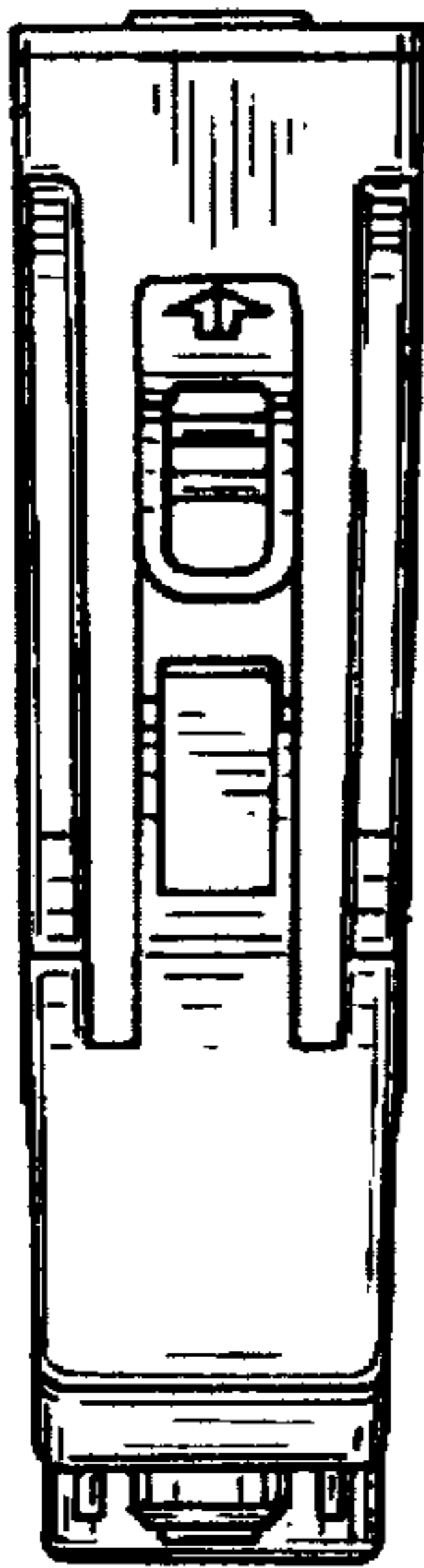


FIG. 2

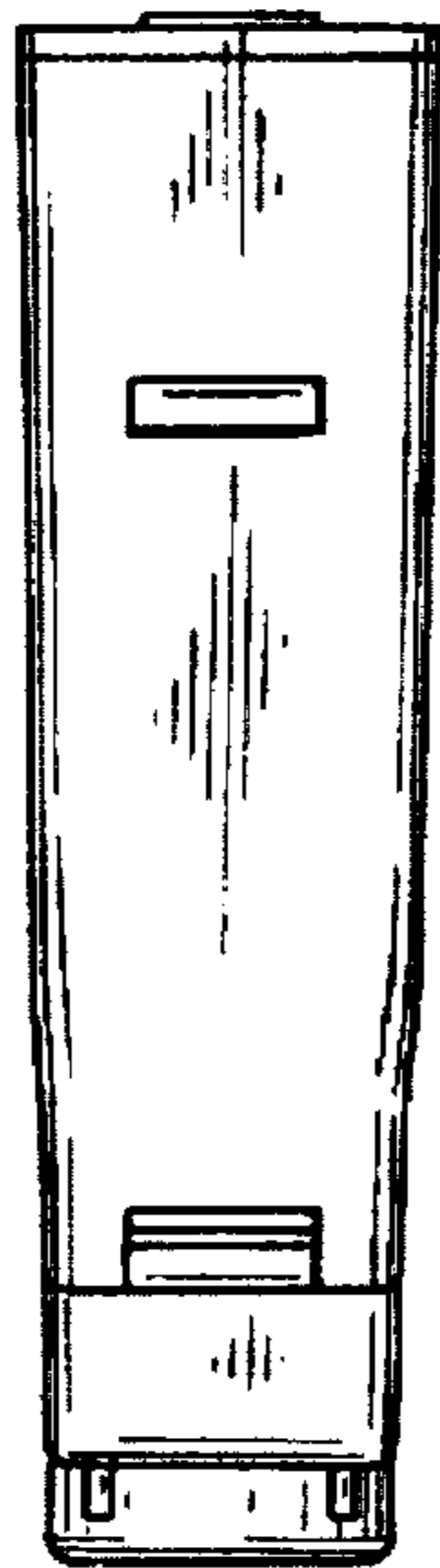
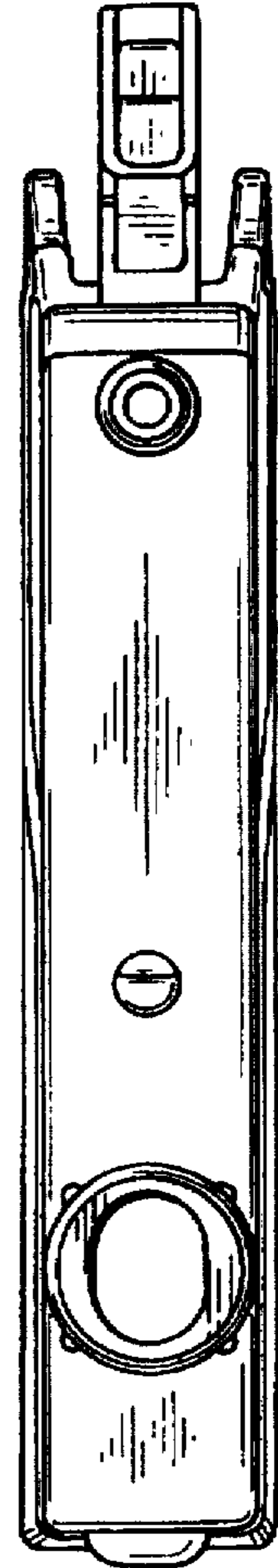


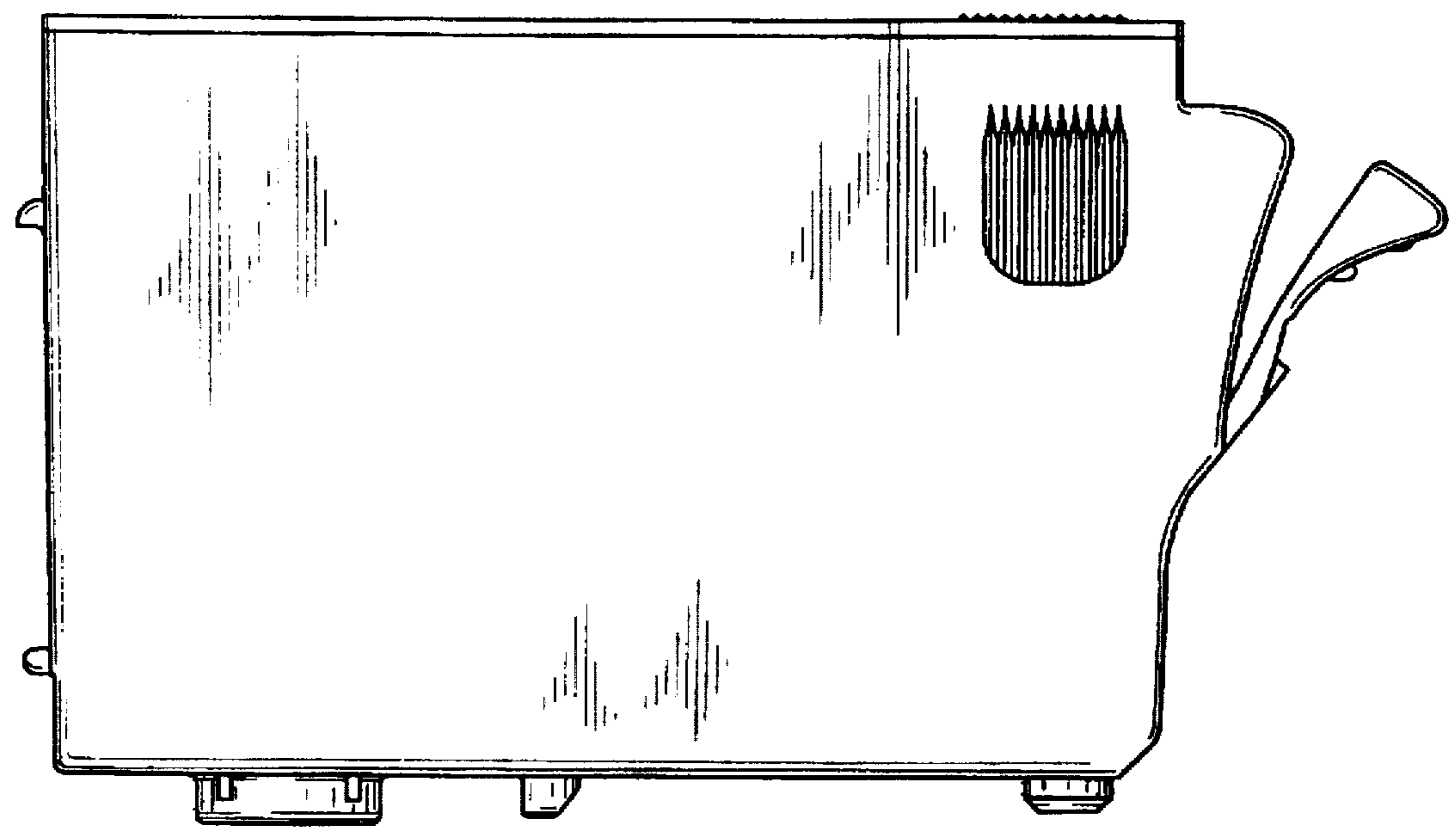
FIG. 3



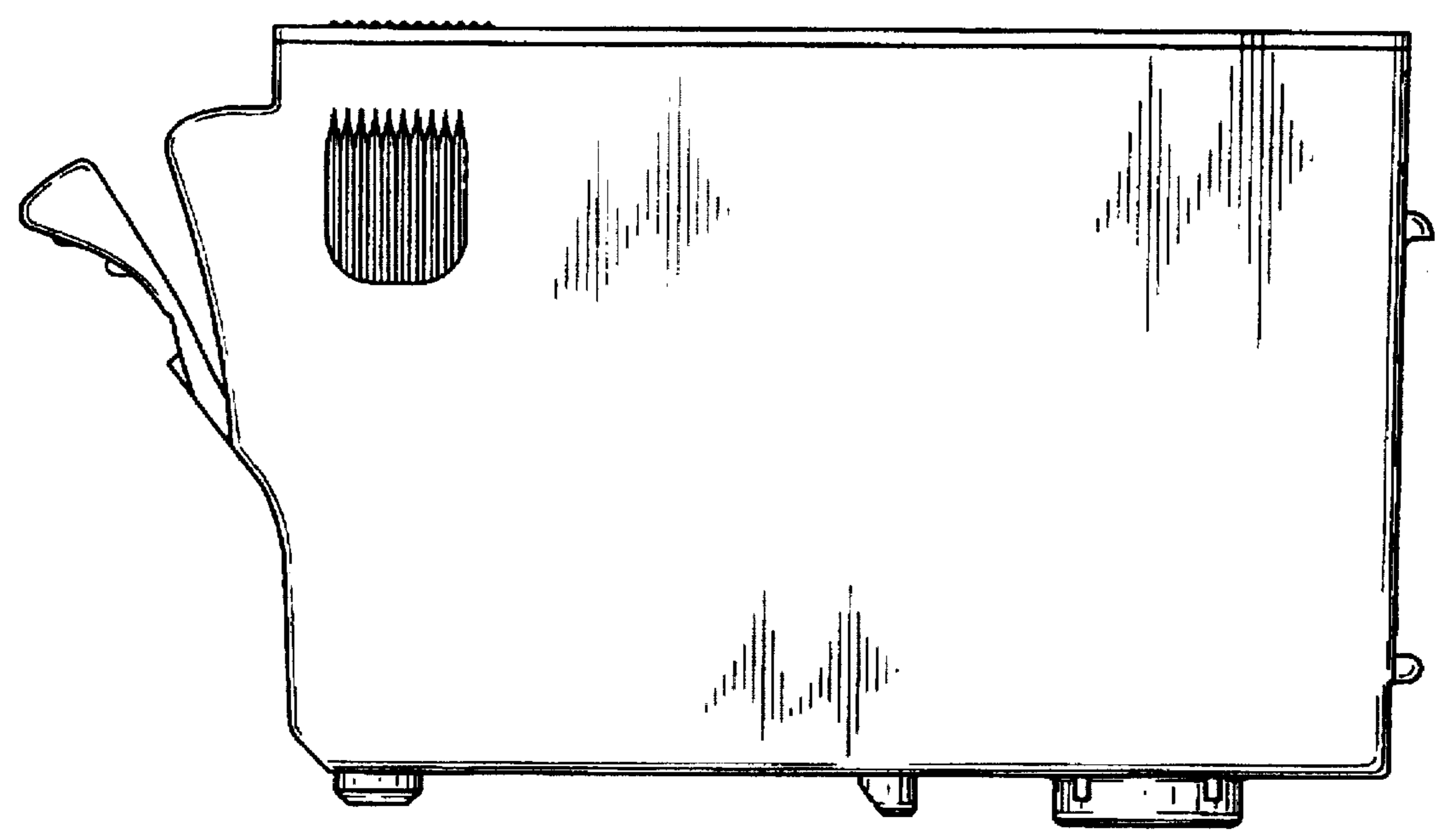
FIG. 4



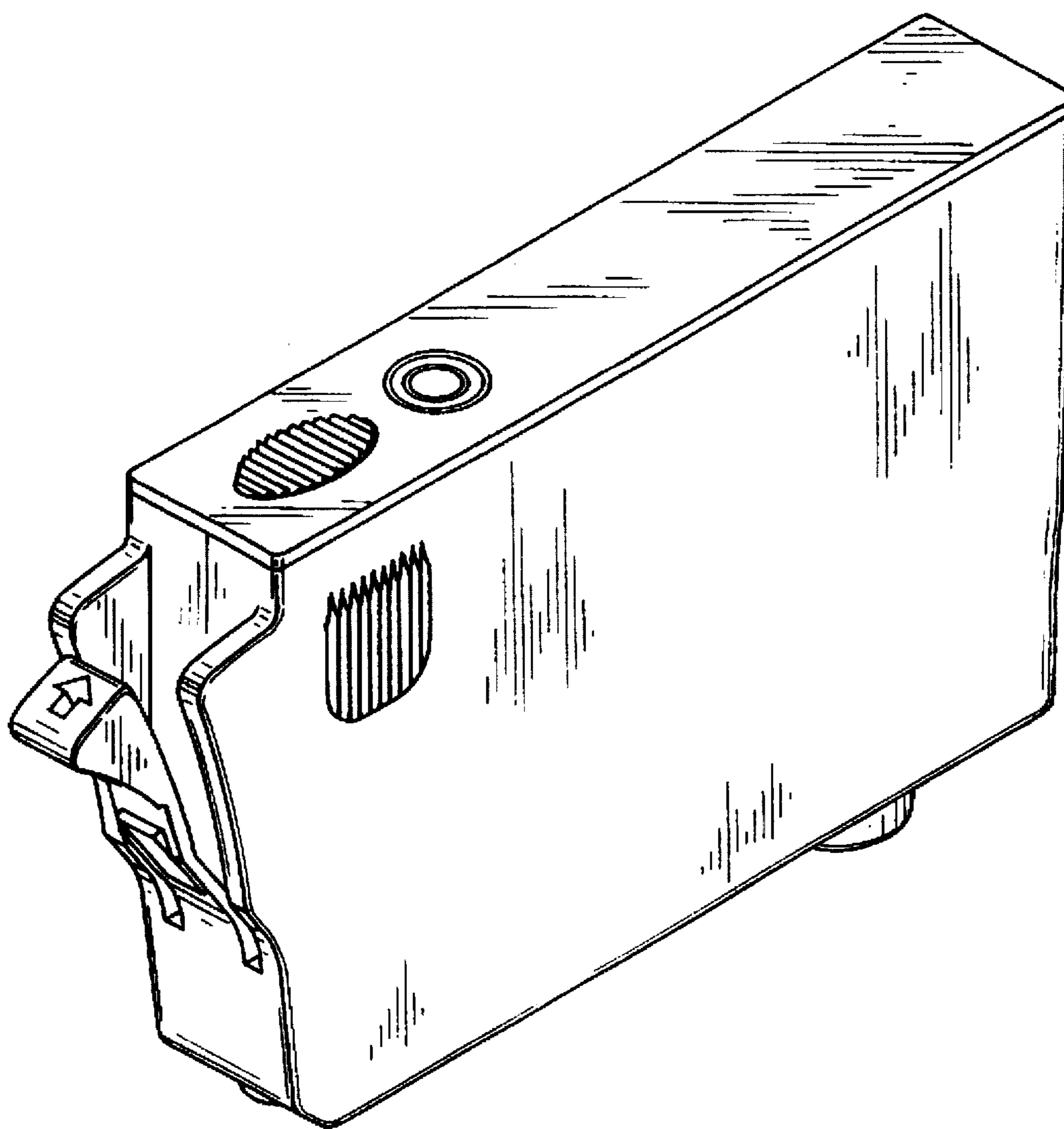
*FIG. 5*



*FIG. 6*



*FIG. 7*



UNITED STATES PATENT AND TRADEMARK OFFICE  
**CERTIFICATE OF CORRECTION**

PATENT NO. : Des.391,289  
DATED : February 24, 1998  
INVENTOR(S) : Manabu Inoue et al.

It is certified that error appears in the above-identified patent and that said Letters Patent is hereby corrected as shown below:

On the title page, item [56],

**Foreign Patent Documents**

"360192639" should read --60-192639--.  
"363239062" should read --63-239062--.  
"406115093" should read --6-115093--.

Signed and Sealed this  
Seventh Day of July, 1998



*Attest:*

BRUCE LEHMAN

*Attesting Officer*

*Commissioner of Patents and Trademarks*