



US00D391286S

# United States Patent [19]

Mizusugi

[11] Patent Number: **Des. 391,286**

[45] Date of Patent: **\*\*Feb. 24, 1998**

[54] **PRINTER**

[75] Inventor: **Kanji Mizusugi**, Mie-ken, Japan

[73] Assignee: **Sharp Kabushiki Kaisha**, Osaka, Japan

[\*\*] Term: **14 Years**

[21] Appl. No.: **59,550**

[22] Filed: **Sep. 12, 1996**

### [30] Foreign Application Priority Data

Mar. 12, 1996 [JP] Japan ..... 8-6860

[51] LOC (6) Cl. .... **18-01**

[52] U.S. Cl. .... **D18/4; D18/55**

[58] Field of Search ..... D18/1, 3, 4, 12,  
D18/50, 54, 55, 56; D14/100, 105, 106,  
107, 114; 235/1 D, 1 E, 2-3, 7 R, 379,  
419; 364/404, 405

### [56] References Cited

#### U.S. PATENT DOCUMENTS

D. 220,720 5/1971 Kitai ..... D18/4

D. 303,987 10/1989 Kato et al. .... D18/4  
D. 333,316 2/1993 Ishizawa ..... D18/55  
D. 374,452 10/1996 Sato ..... D18/4

*Primary Examiner*—Caron D. Veynar  
*Attorney, Agent, or Firm*—Nixon & Vanderhye

### [57] CLAIM

The ornamental design for a "printer", as shown and described.

### DESCRIPTION

FIG. 1 is a top, front and right side perspective view of a printer according to my design;  
FIG. 2 is right side elevational view thereof;  
FIG. 3 is a left side elevational view thereof;  
FIG. 4 is a front elevational view thereof;  
FIG. 5 is a rear elevational view thereof;  
FIG. 6 is a top planview thereof; and,  
FIG. 7 is a bottom plan view thereof.

**1 Claim, 2 Drawing Sheets**

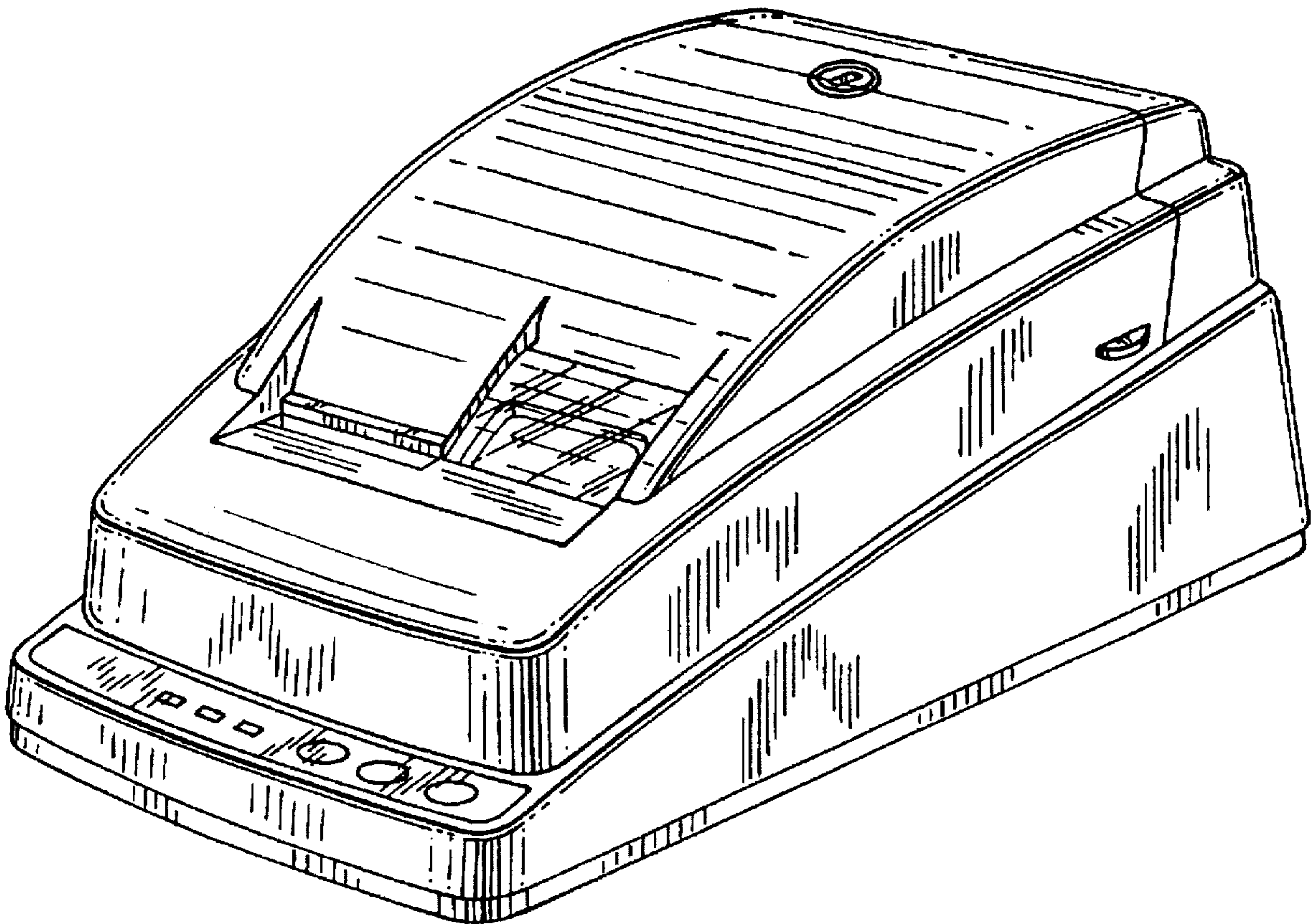


FIG. 1

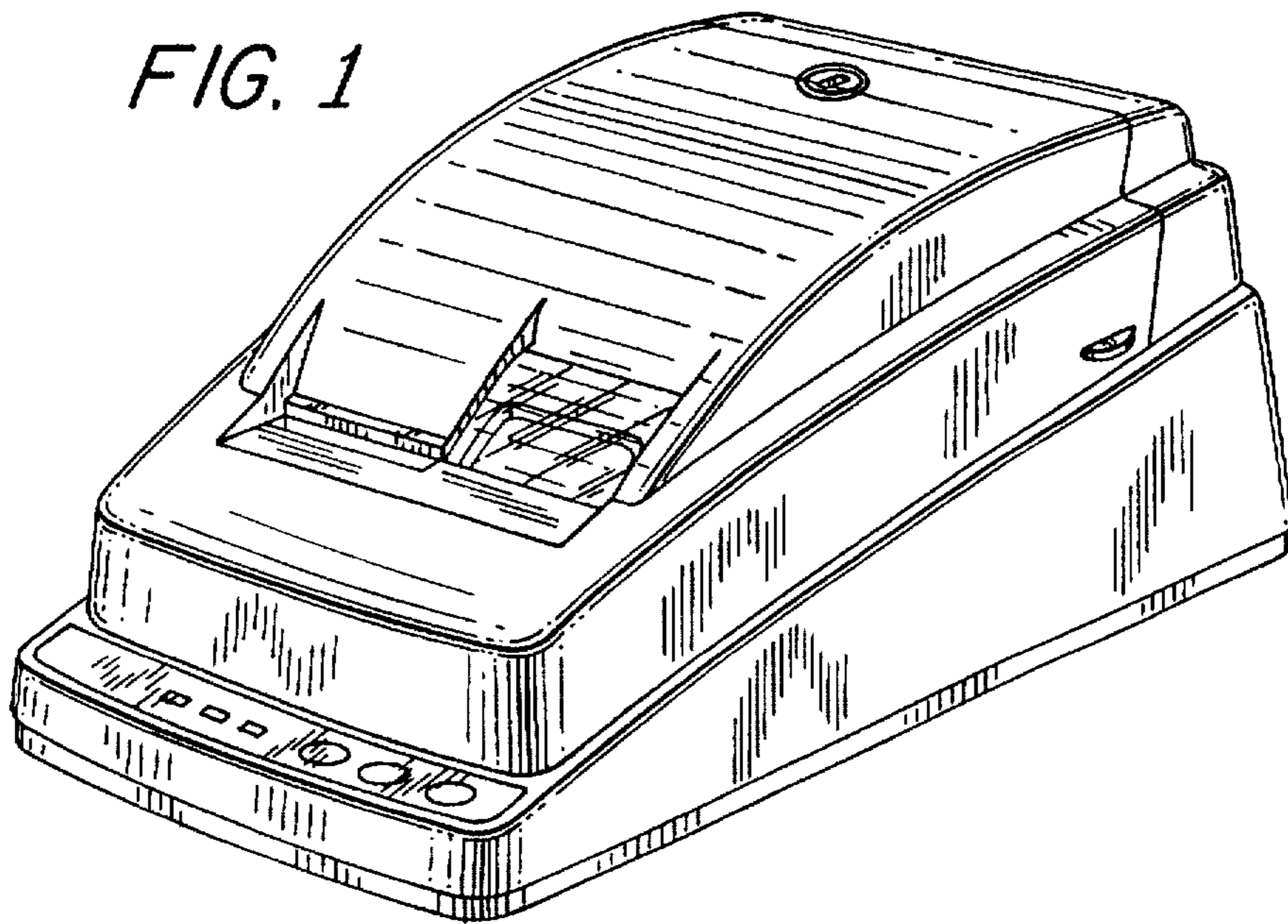


FIG. 2

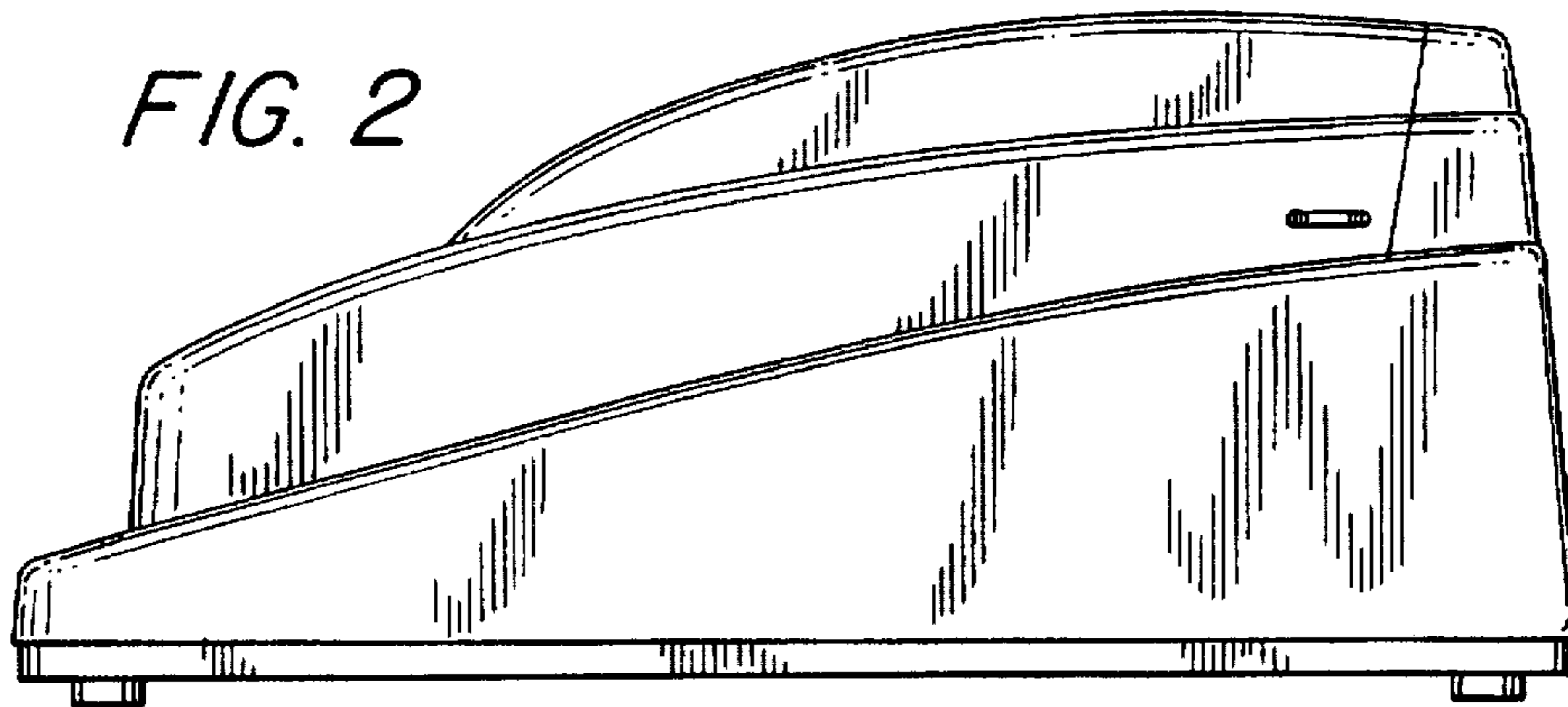
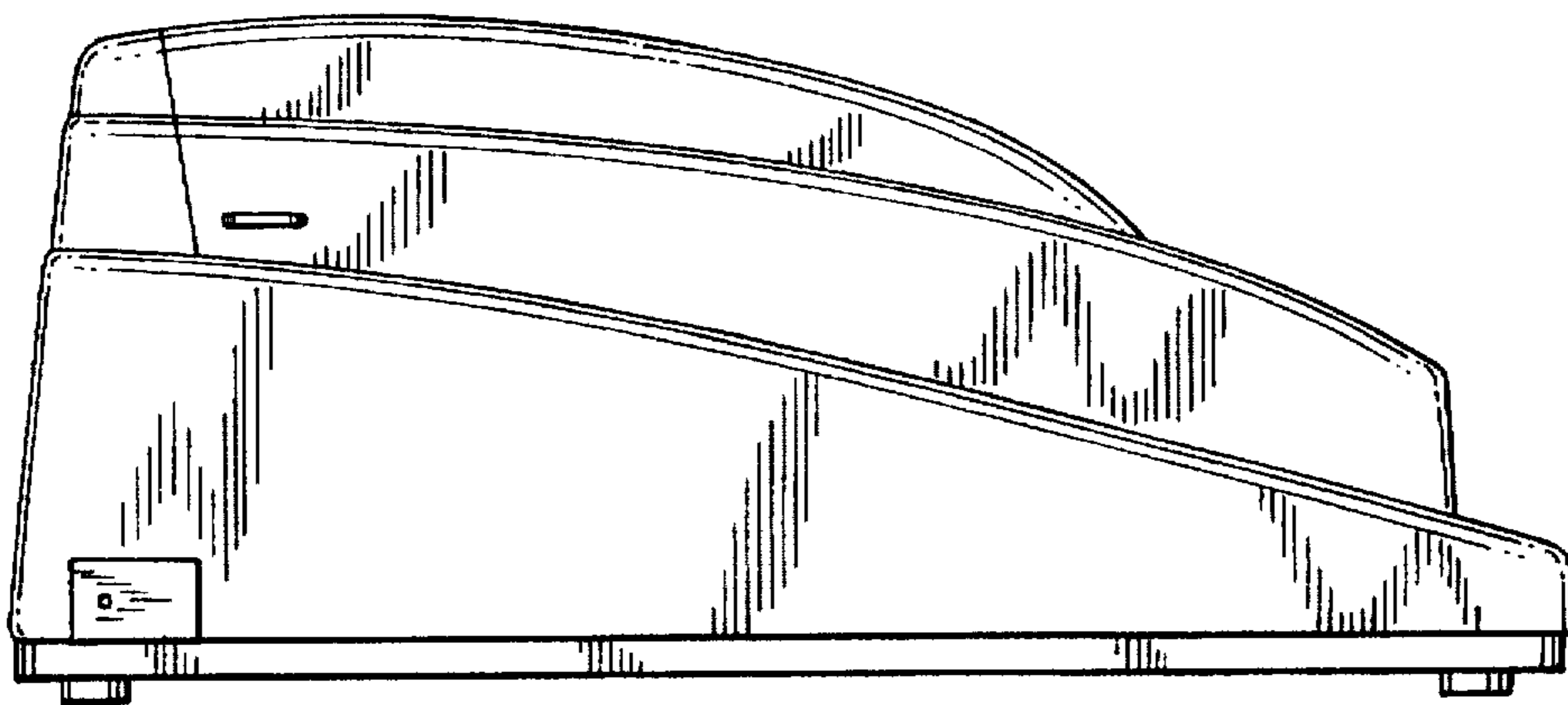


FIG. 3



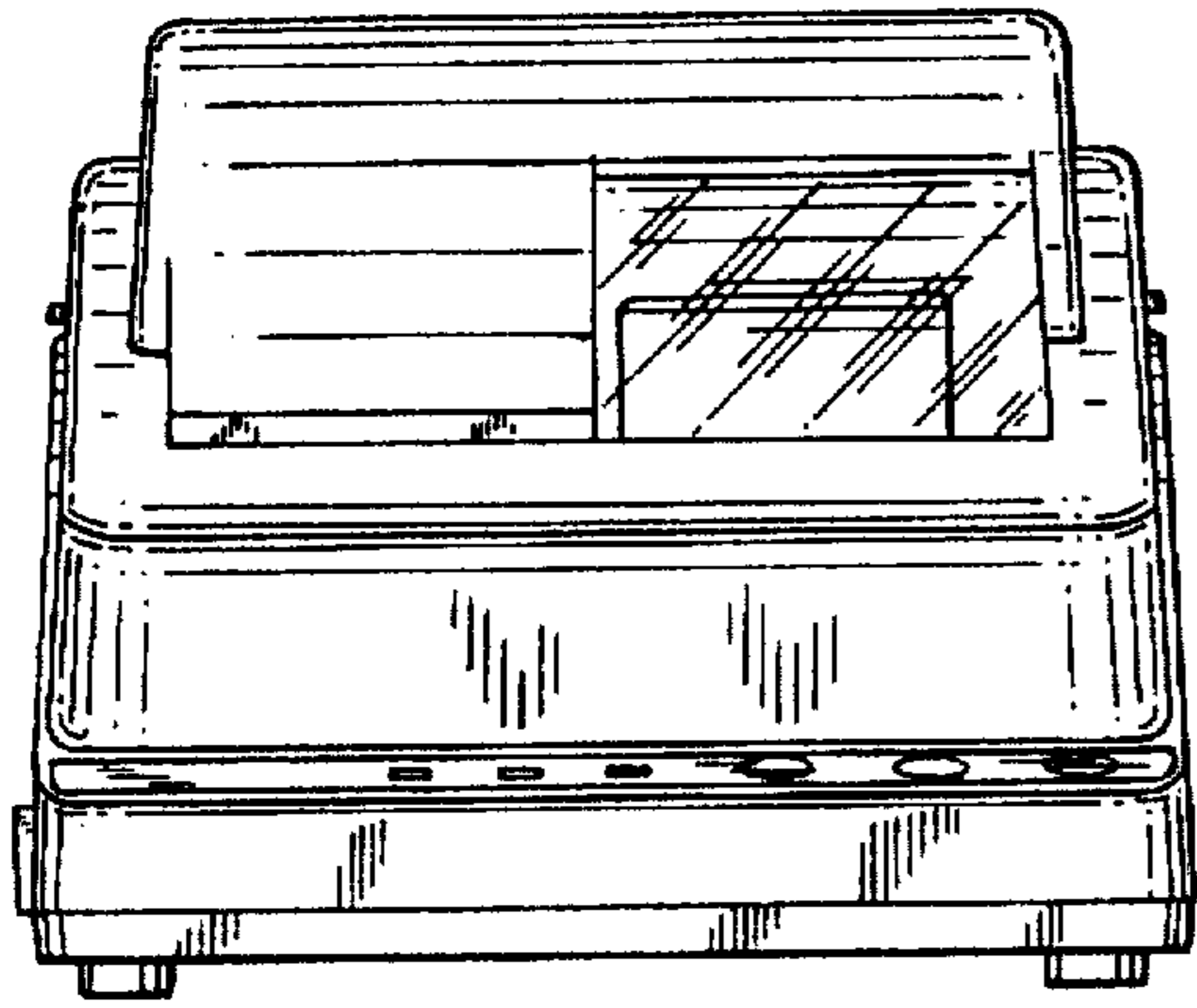


FIG. 4

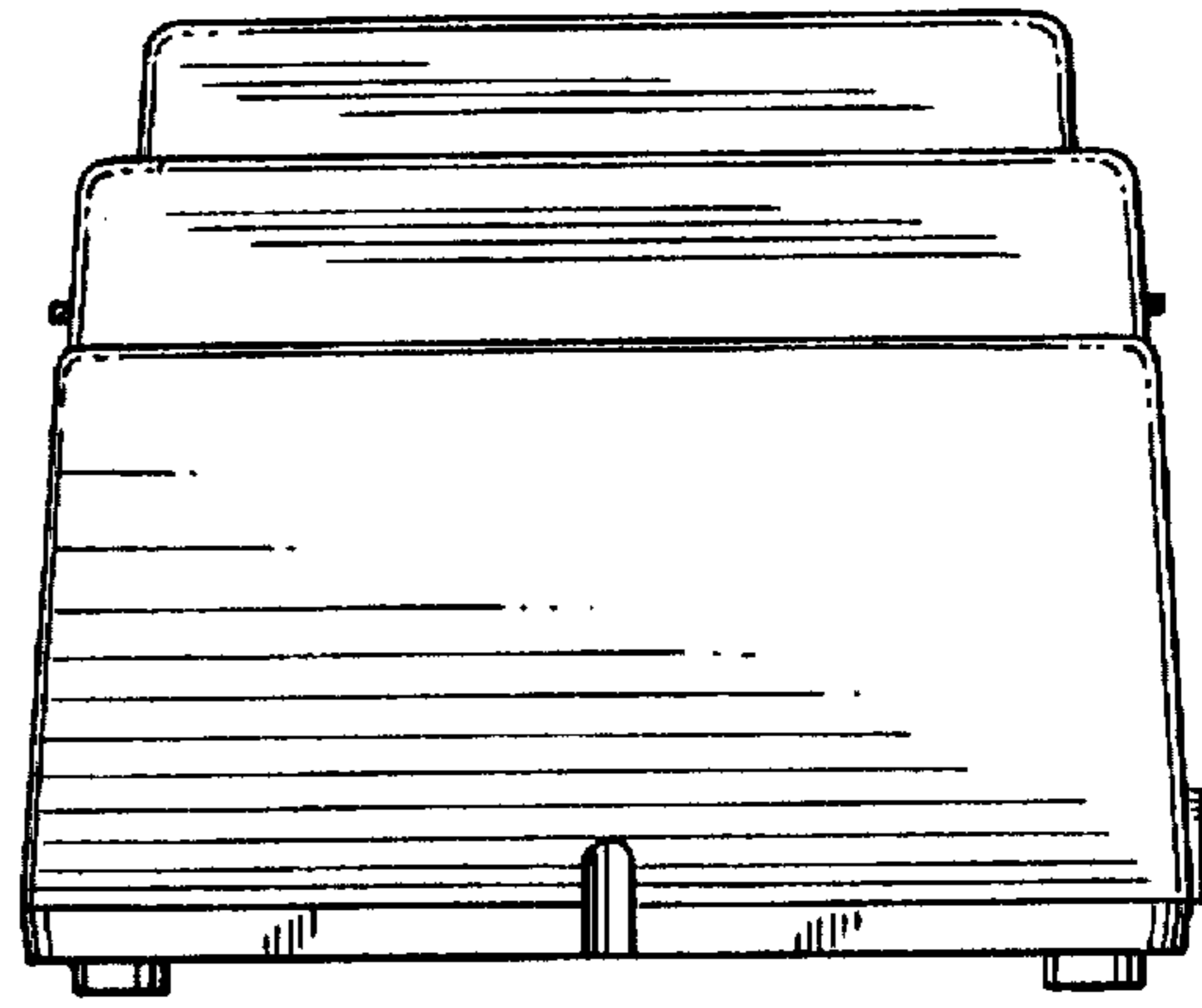


FIG. 5

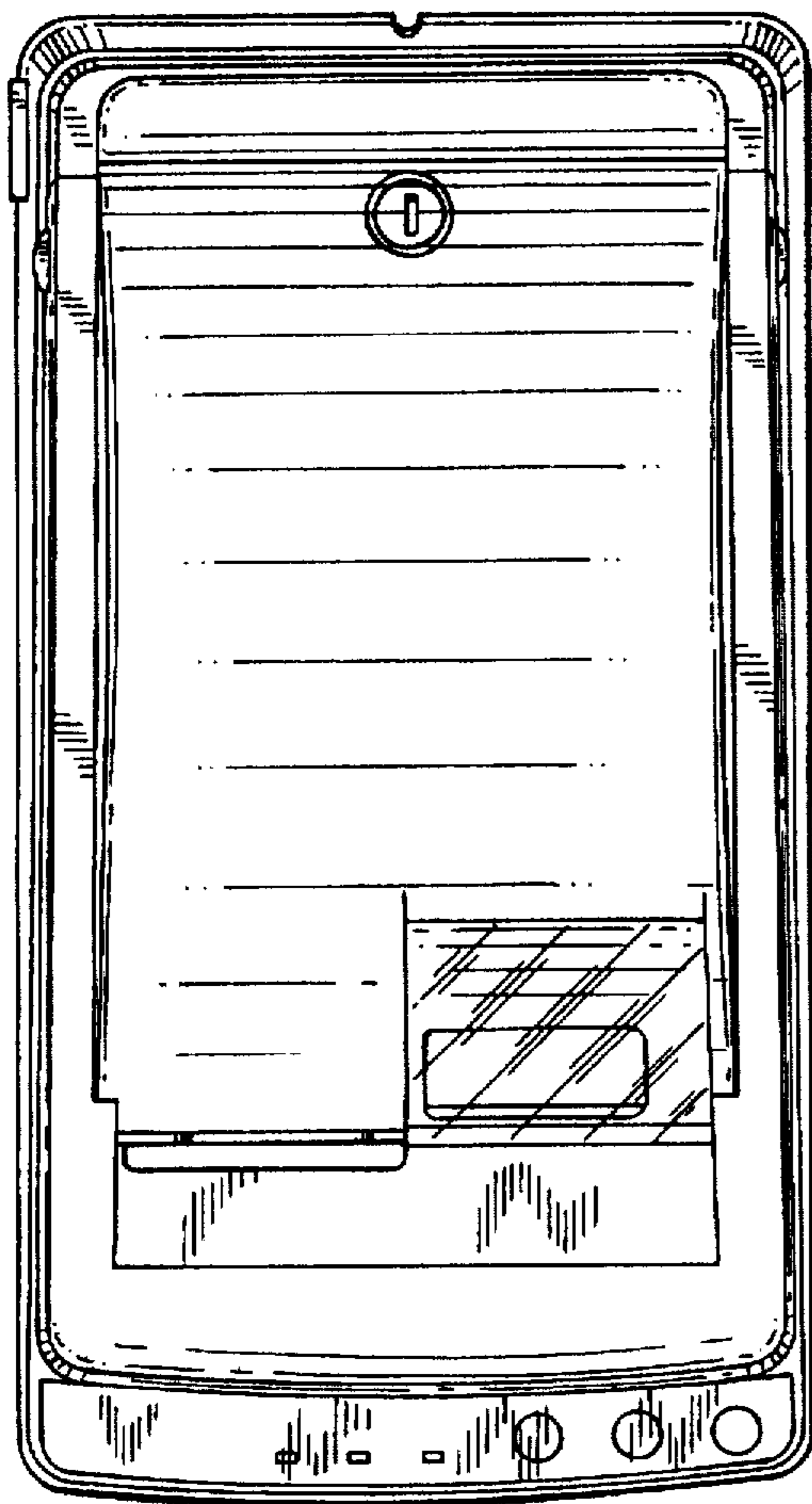


FIG. 6

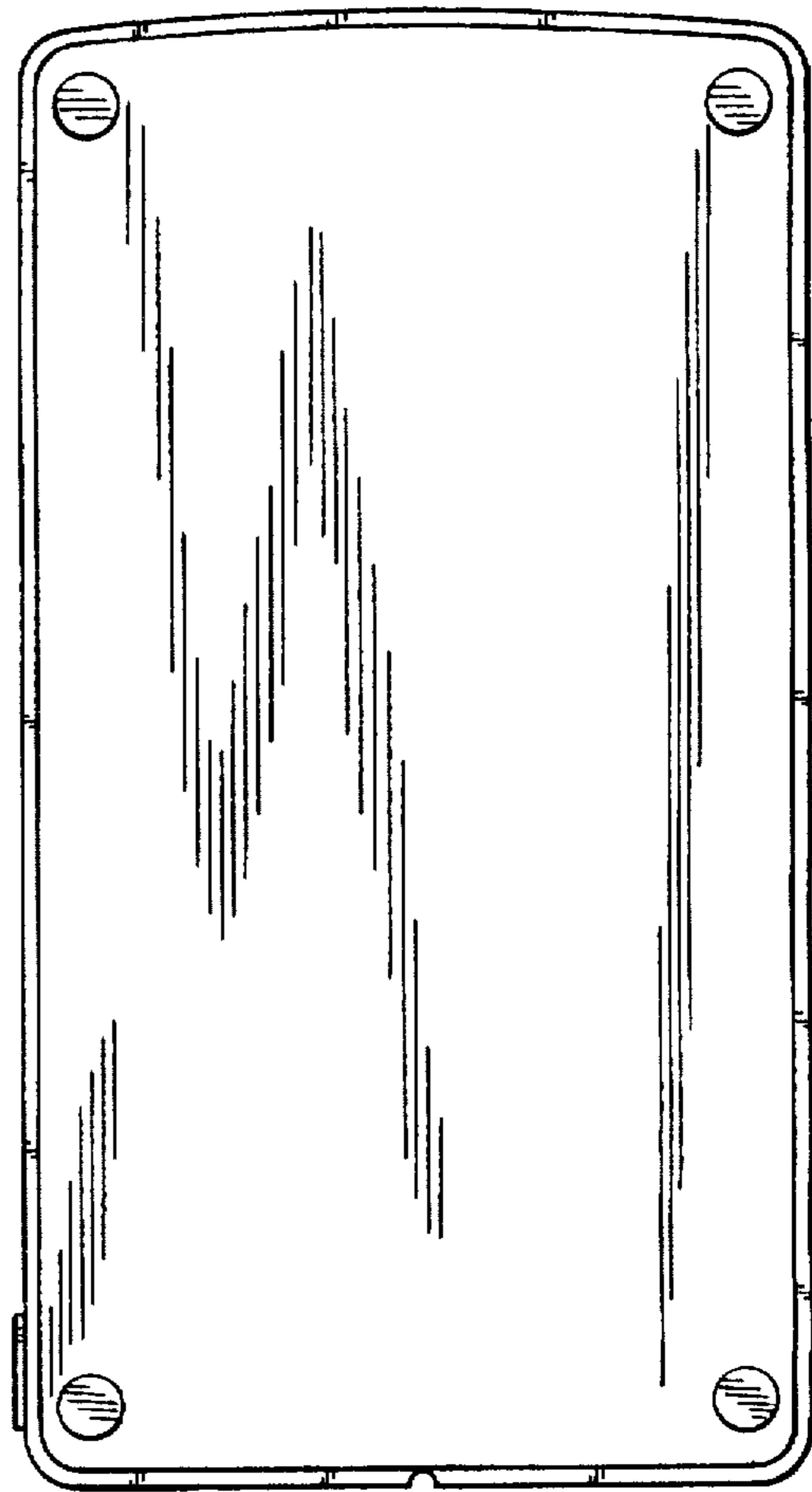


FIG. 7