



US00D391284S

# United States Patent [19]

Hermansen et al.

[11] Patent Number: **Des. 391,284**

[45] Date of Patent: **\*\*Feb. 24, 1998**

[54] **DIVE MASK HAVING A FLEXIBLE SKIRT**

[75] Inventors: **Frank Hermansen; Carl Winefordner**, both of Costa Mesa, Calif.

[73] Assignee: **Sheico USA**, Carlsbad, Calif.

[\*\*] Term: **14 Years**

[21] Appl. No.: **62,577**

[22] Filed: **Nov. 19, 1996**

[51] LOC (6) Cl. .... **16-06**

[52] U.S. Cl. .... **D16/312**

[58] Field of Search ..... D16/101, 300, D16/303, 311-313, 330; D24/110.2; D29/109, 110; 2/427, 428, 430-432, 439, 452

[56] **References Cited**

**U.S. PATENT DOCUMENTS**

- D. 292,329 10/1987 Vitaloni ..... D16/312
- D. 342,810 12/1993 Berenson ..... D16/312

- D. 368,107 3/1996 Lutz ..... D16/311
- D. 371,566 7/1996 Kolada et al. .... D16/311
- 4,856,120 8/1989 Hart ..... 2/428
- 5,564,130 10/1996 Feng ..... 2/428
- 5,572,989 11/1996 Lutz et al. .... 2/428

*Primary Examiner*—Raphael Barkai  
*Attorney, Agent, or Firm*—Leonard Tachner

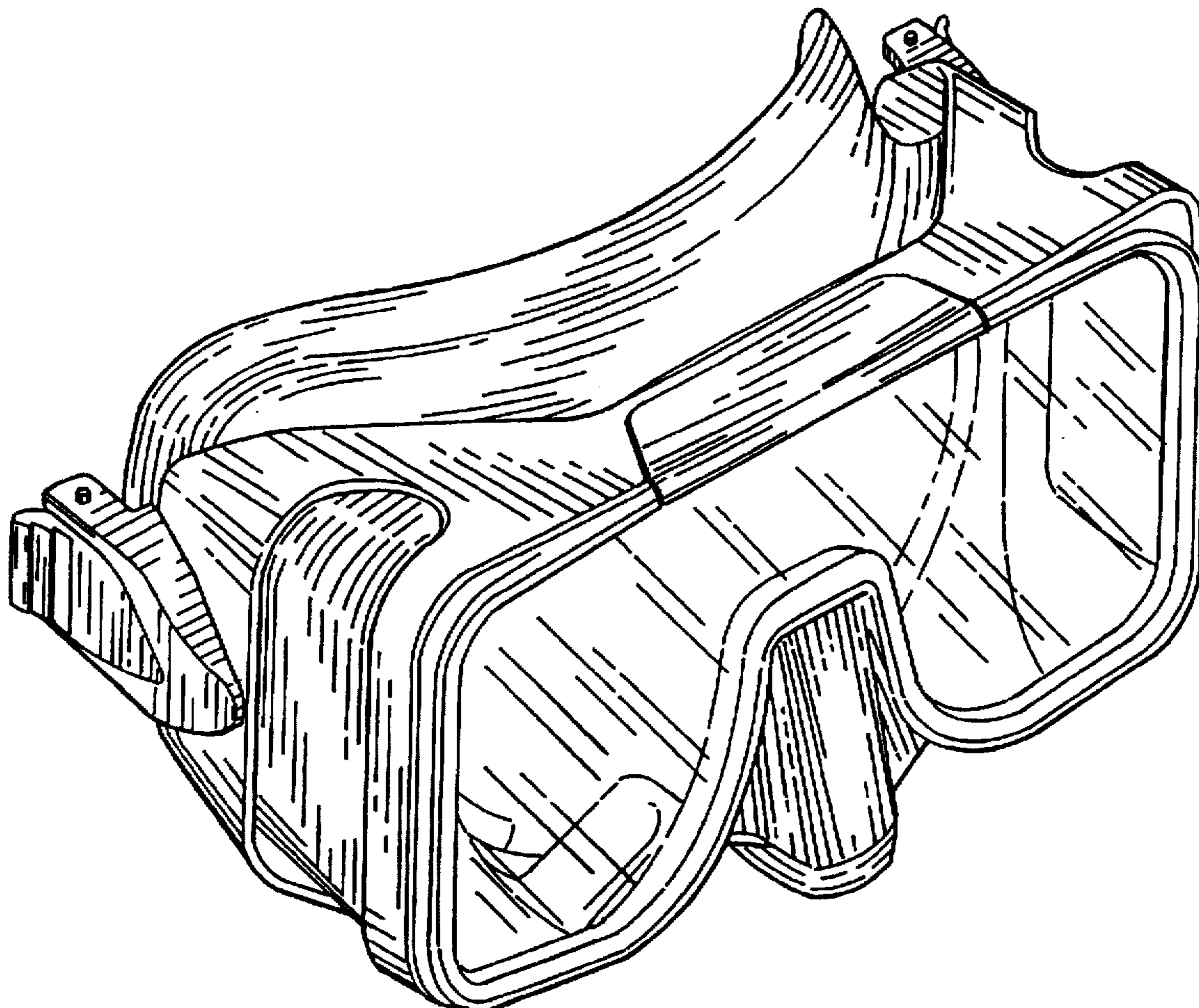
[57] **CLAIM**

The ornamental design for “dive mask having a flexible skirt”, as shown and described.

**DESCRIPTION**

FIG. 1 is a three-dimensional view of a dive mask having a flexible skirt in accordance with a preferred embodiment of the present invention;  
FIG. 2 is a front view of the invention;  
FIG. 3 is a rear view of the invention;  
FIG. 4 is a top view of the invention;  
FIG. 5 is a bottom view of the invention; and,  
FIG. 6 is a side view of the invention.

**1 Claim, 3 Drawing Sheets**



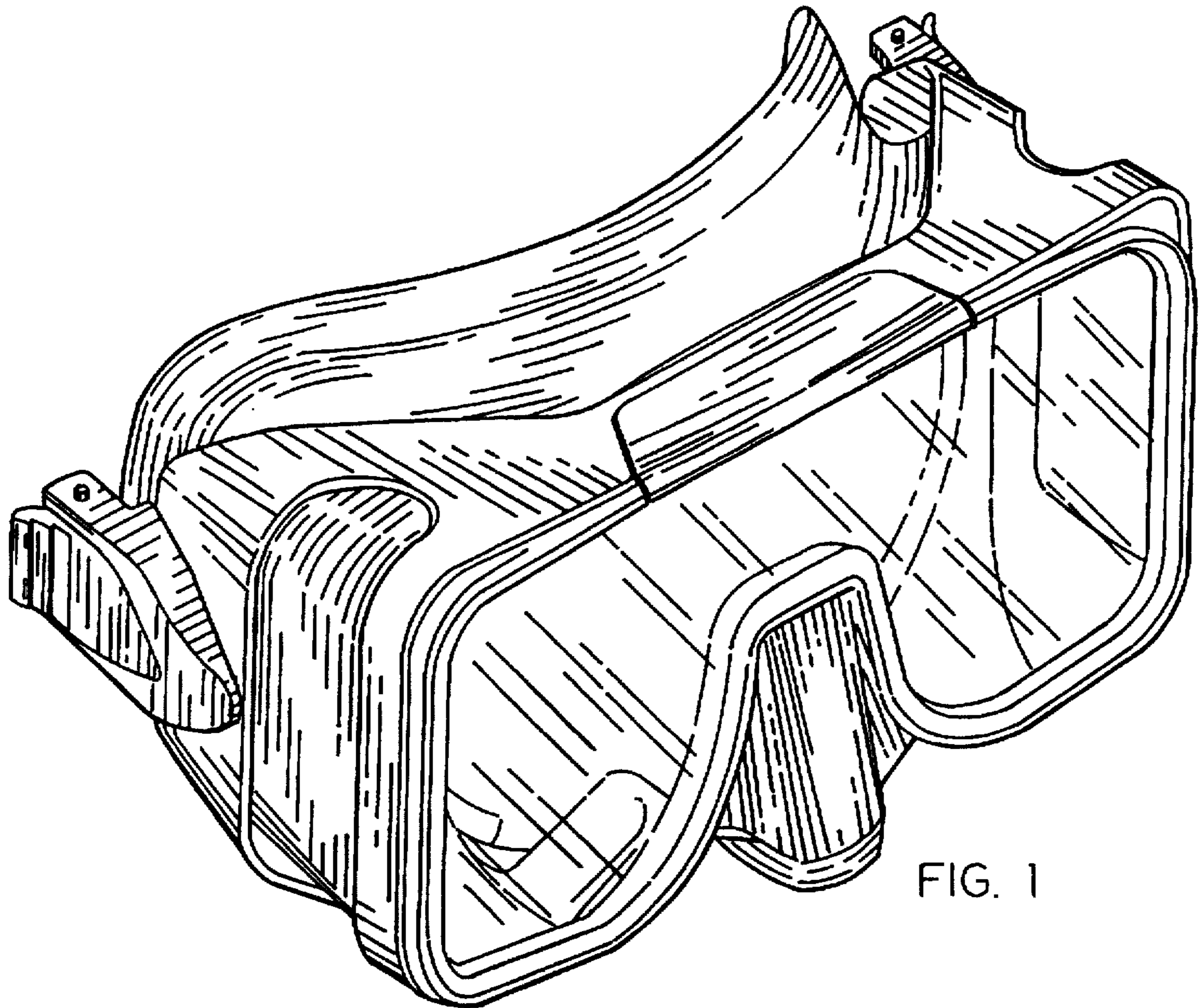


FIG. 1

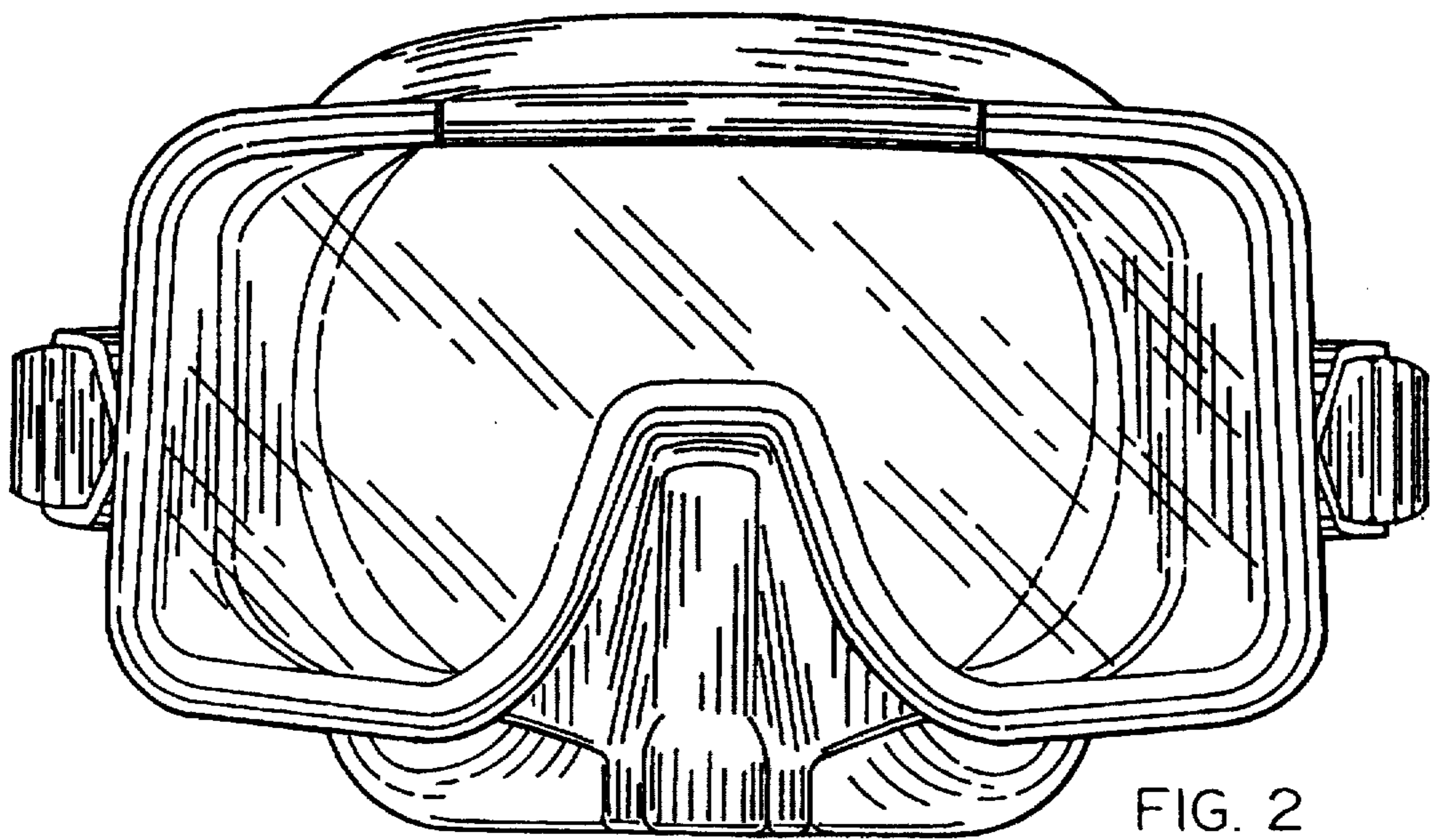


FIG. 2



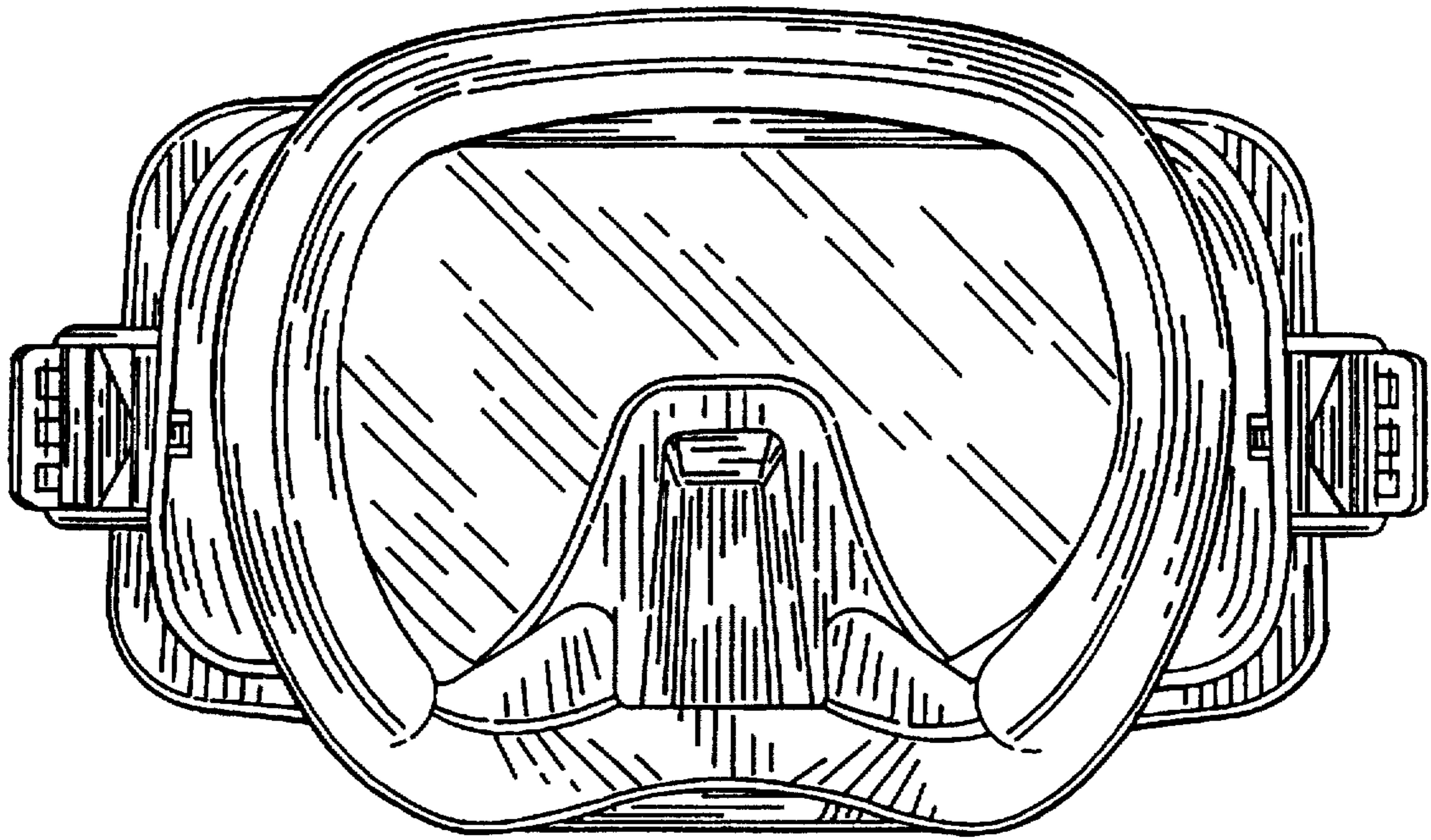
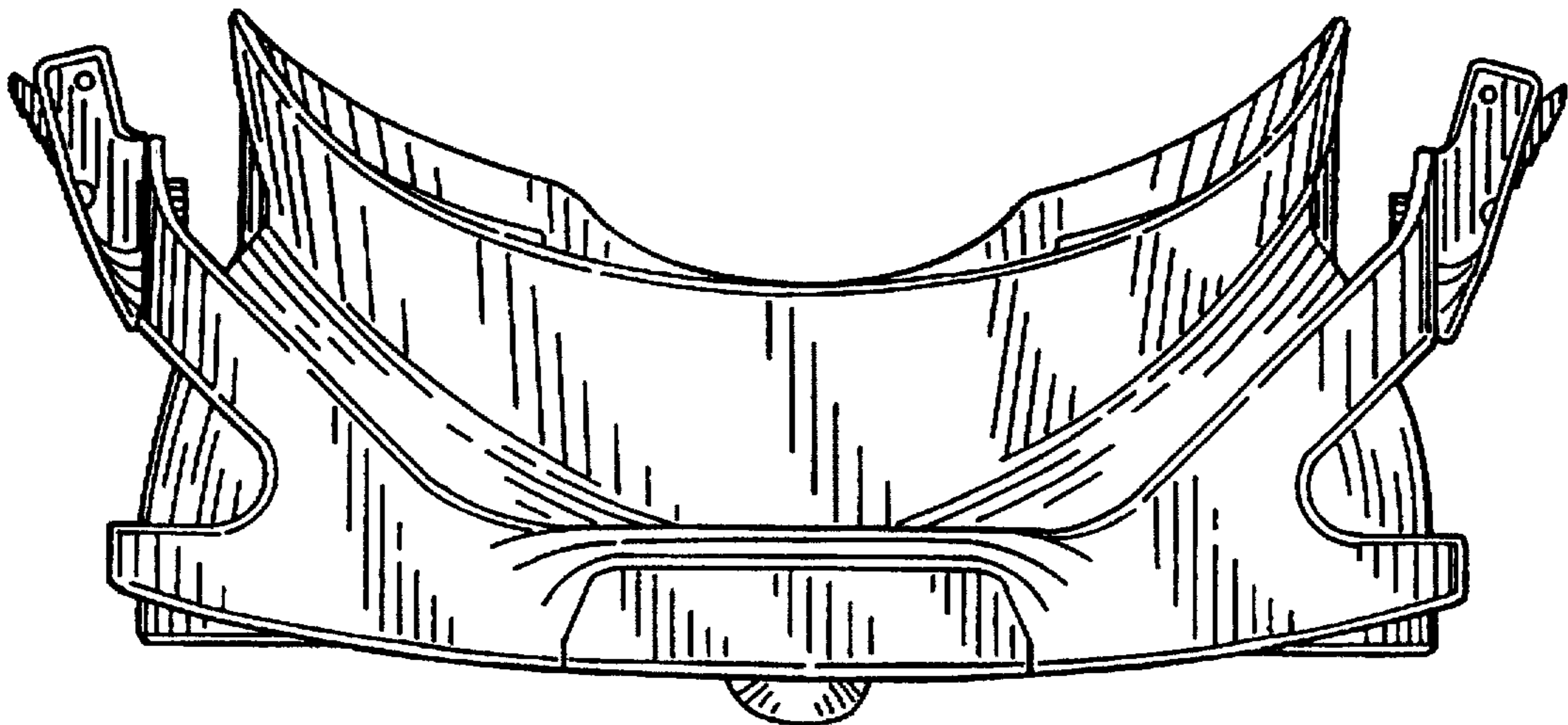


FIG. 3

FIG. 4



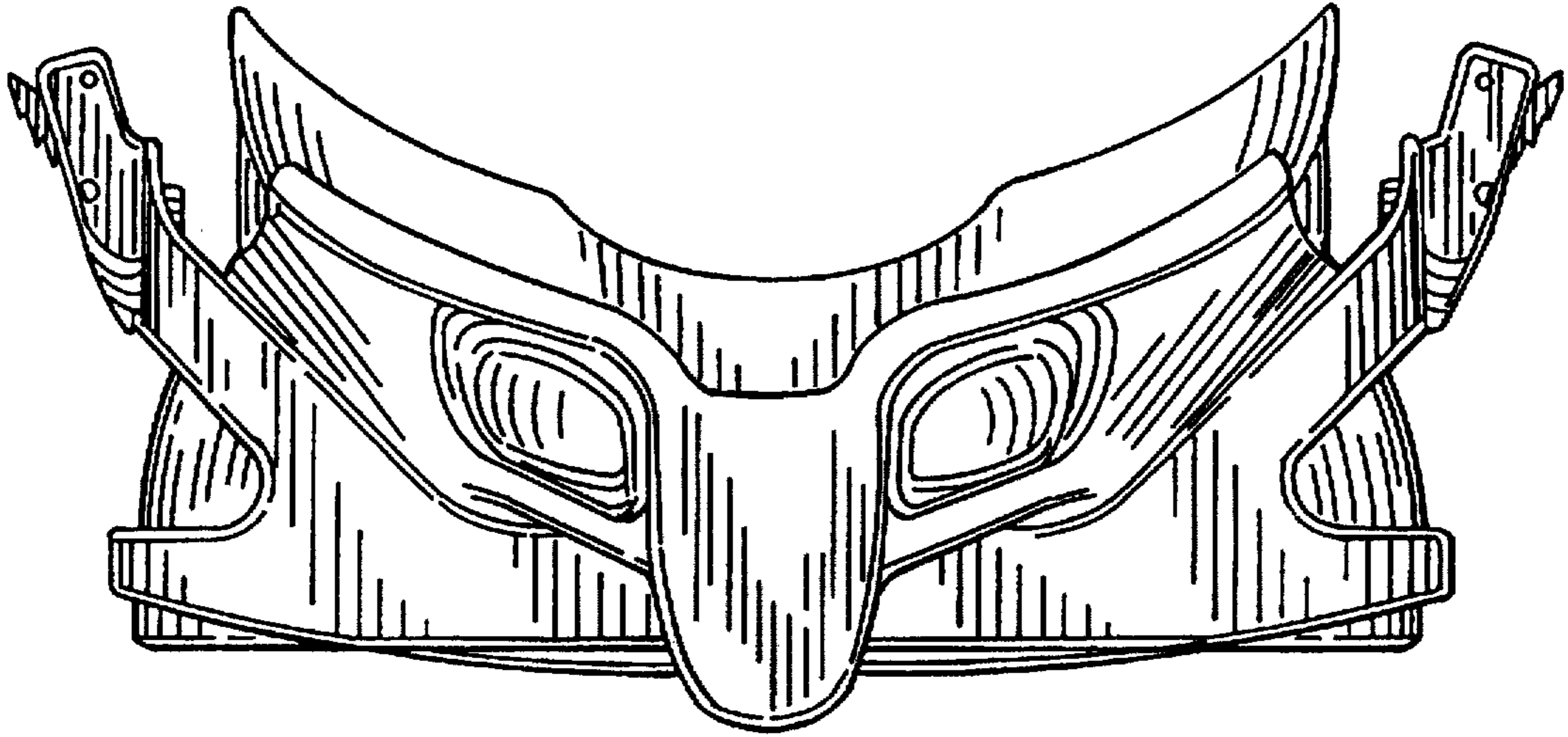


FIG. 5

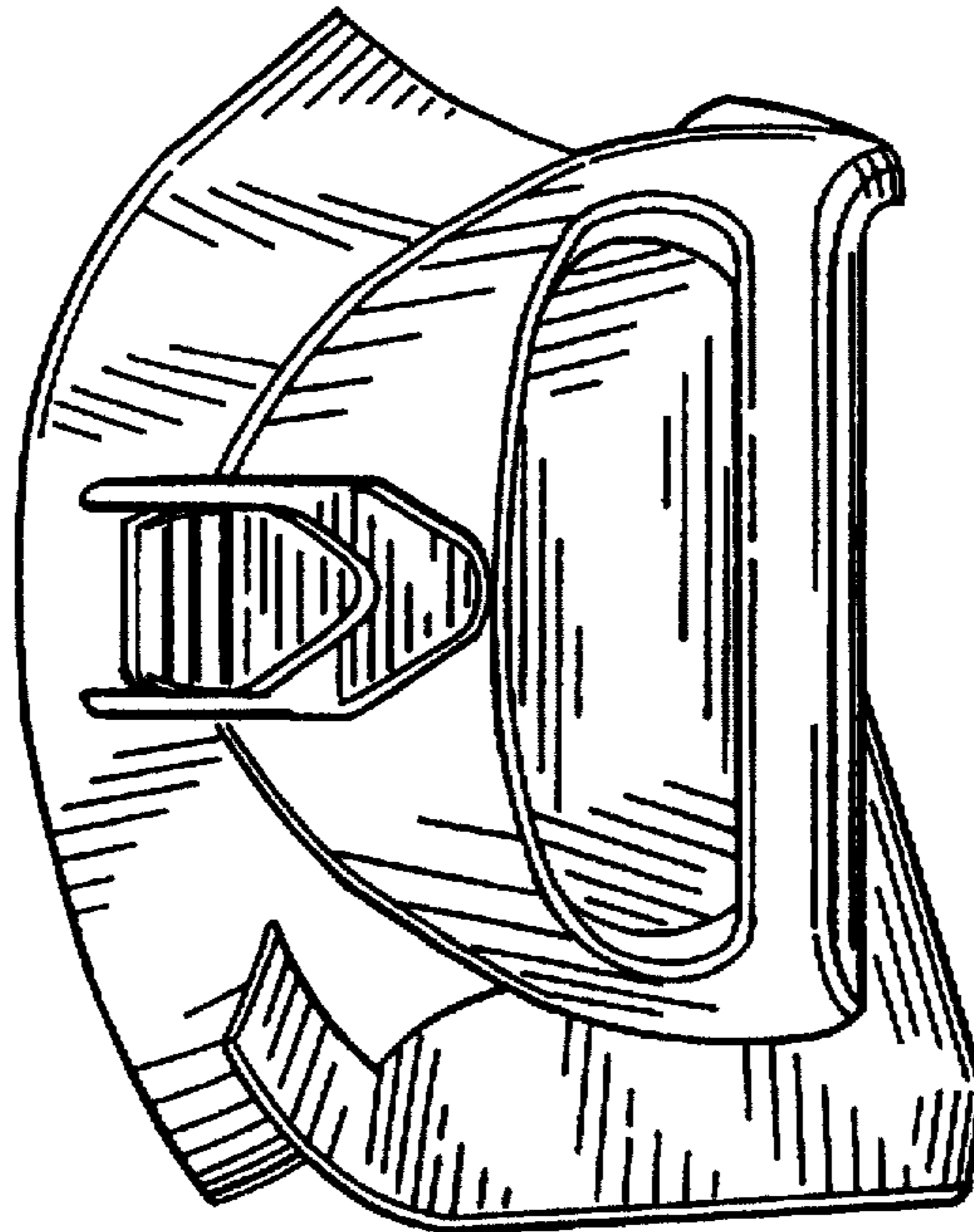


FIG. 6