



US00D391283S

United States Patent [19]
Yamamoto

[11] **Patent Number:** **Des. 391,283**
[45] **Date of Patent:** ****Feb. 24, 1998**

[54] **SWIMMING GOGGLES**
[75] **Inventor:** **Tamenobu Yamamoto, Osaka, Japan**
[73] **Assignee:** **Yamamoto Kogaku Co., Ltd., Higashi-Osaka, Japan**
[**] **Term:** **14 Years**

4,286,340 9/1981 Lathrop 2/430
4,468,819 9/1984 Ohno 2/430
5,331,691 7/1994 Runckel 2/428
5,408,702 4/1995 Chiang 2/428

[21] **Appl. No.:** **41,658**
[22] **Filed:** **Jul. 20, 1995**

FOREIGN PATENT DOCUMENTS

05027380 2/1993 Japan .
07067983 3/1995 Japan .

[30] **Foreign Application Priority Data**
Feb. 21, 1995 [JP] Japan 7-4576

Primary Examiner—Raphael Barkai
Attorney, Agent, or Firm—Oblon, Spivak, McClelland, Maier & Neustadt, P.C.

[51] **LOC (6) Cl.** **16-06**
[52] **U.S. Cl.** **D16/311**
[58] **Field of Search** D16/303, 301, D16/311, 313-317, 325-330, 335-338; D29/110; 351/41, 44, 103, 110, 117, 118, 121, 153, 158; 2/428, 430, 432, 447, 449

[57] **CLAIM**

The ornamental design for the swimming goggles, as shown and described.

[56] **References Cited**

DESCRIPTION

U.S. PATENT DOCUMENTS

D. 268,301 3/1983 Haslbeck D16/311
D. 352,514 11/1994 Shelton D16/311
3,944,345 3/1976 Decorato 2/447
4,264,987 5/1981 Runckel 2/428
4,279,039 7/1981 Drew D16/311

FIG. 1 is a front elevational view of swimming goggles showing the design;
FIG. 2 is a rear elevational view thereof;
FIG. 3 is a right side view thereof, the left side view being a mirror image of FIG. 3;
FIG. 4 is a top plan view thereof, the bottom view being a mirror image of FIG. 4;
FIG. 5 is a perspective view thereof; and,
FIG. 6 is an enlarged partial view thereof showing a state where the spacing between the lens portions is shortened.

1 Claim, 4 Drawing Sheets

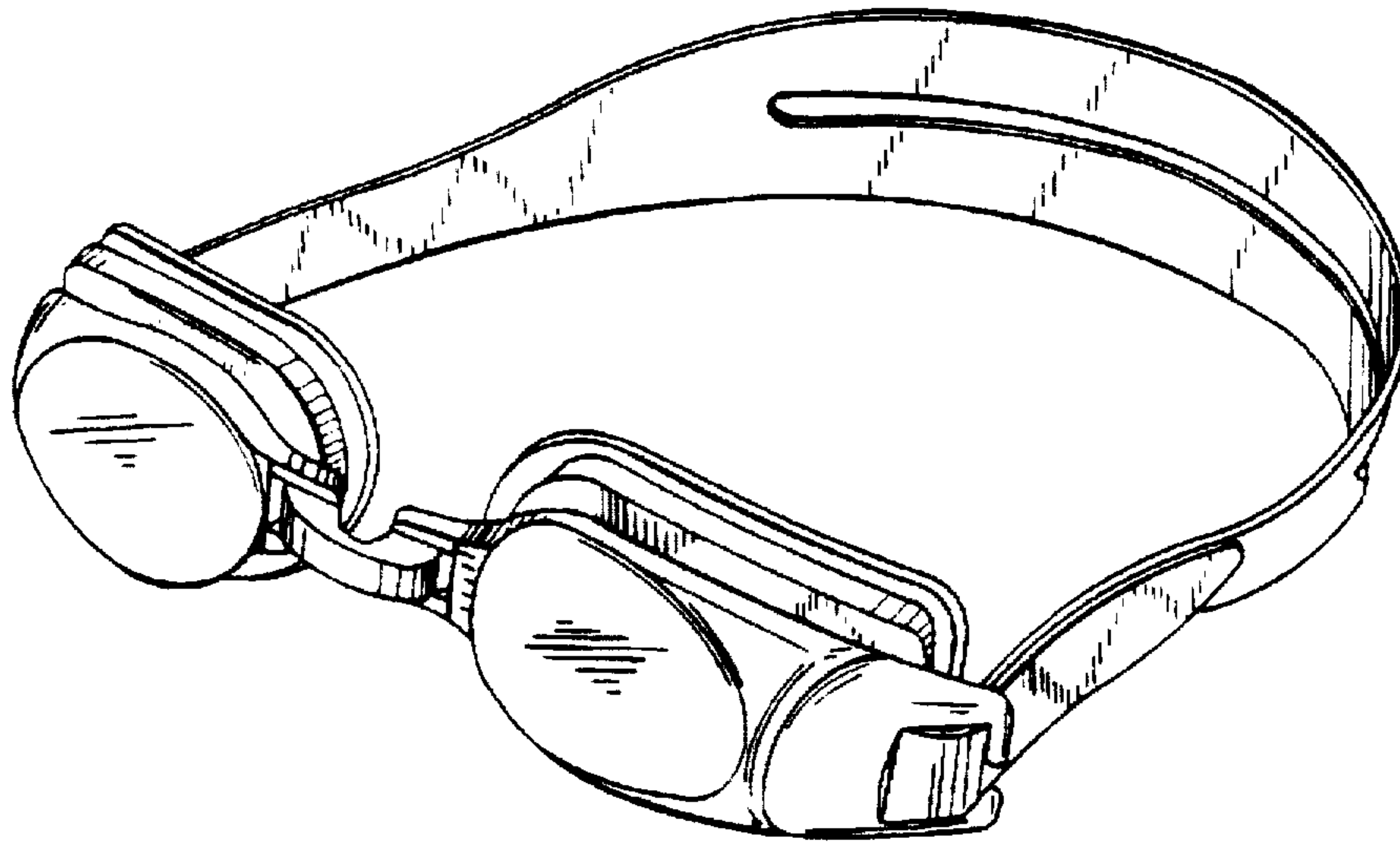


FIG.1

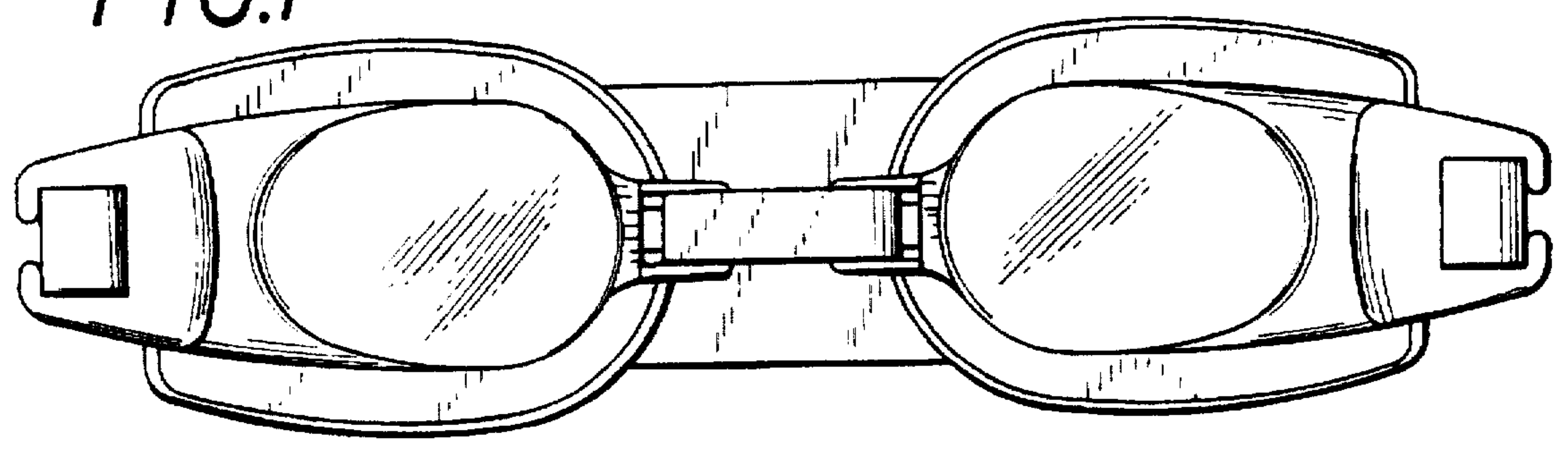


FIG.2

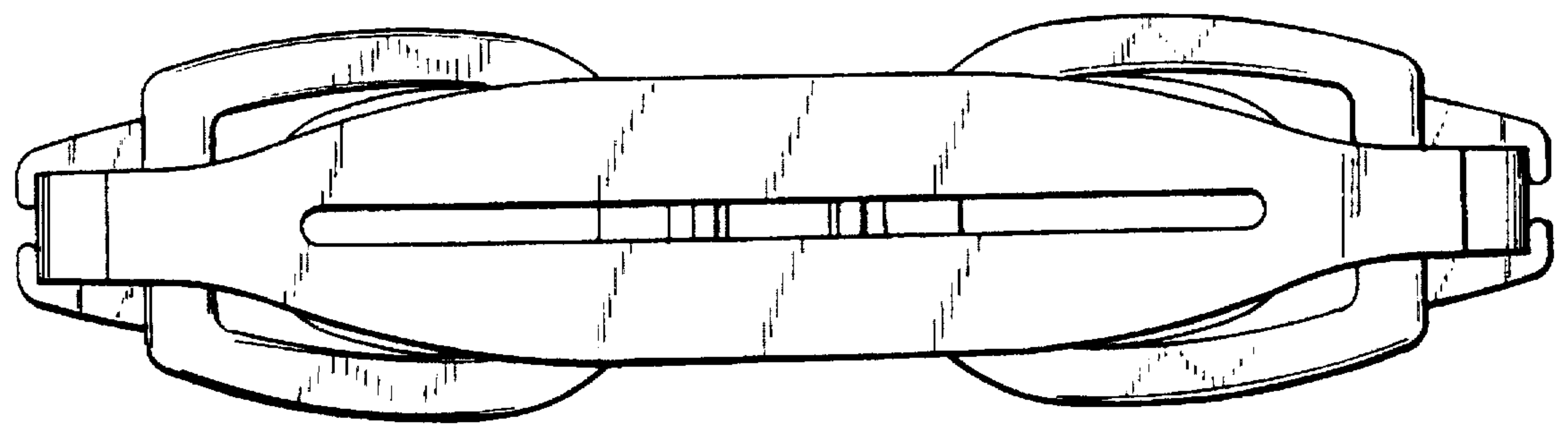


FIG.3

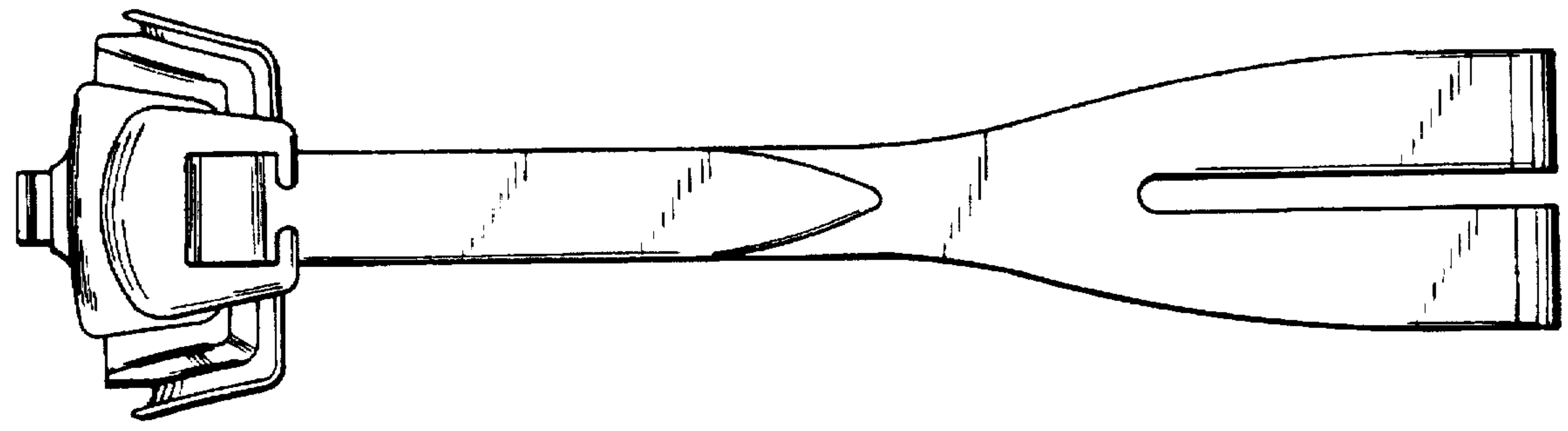


FIG. 4

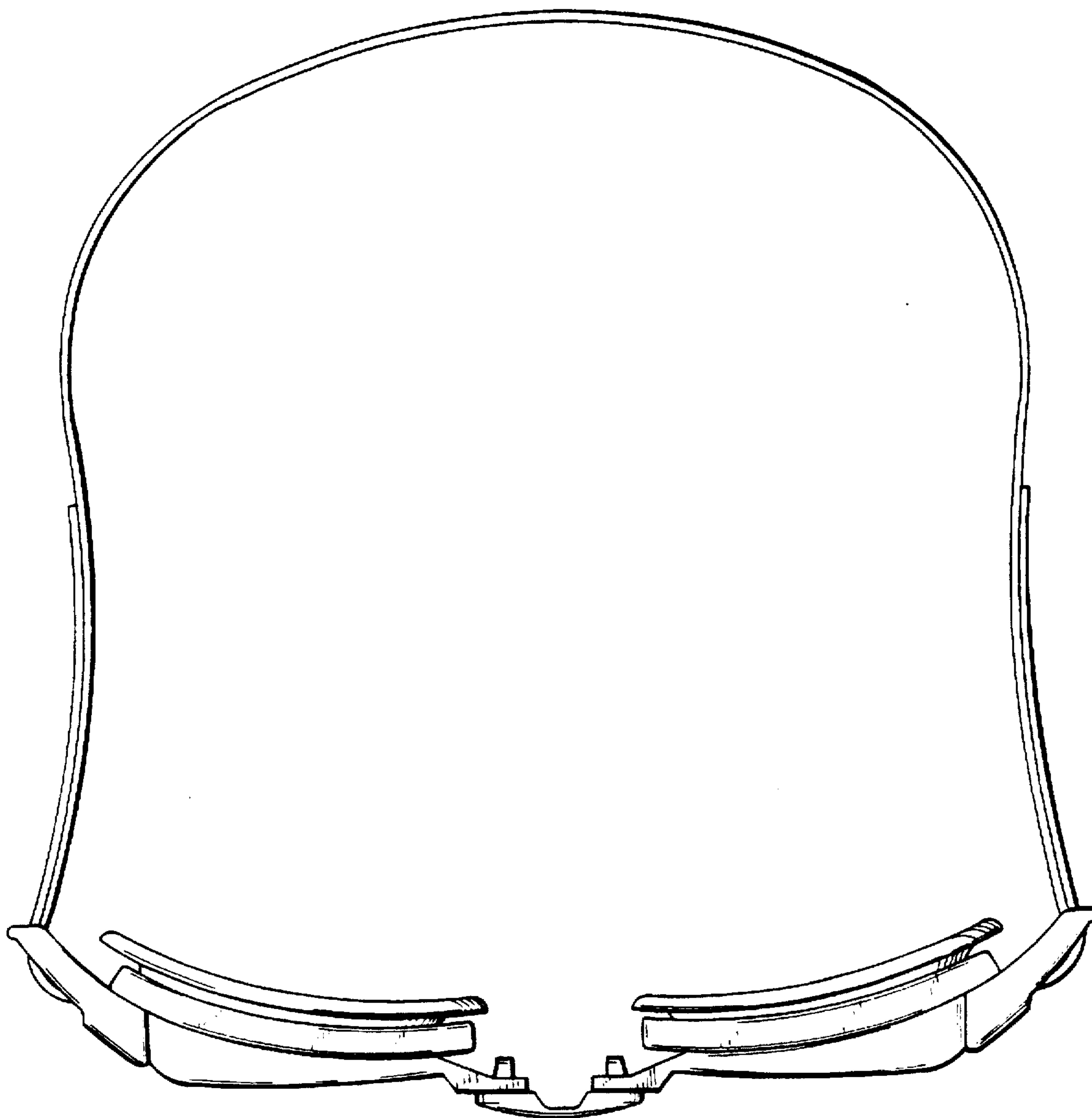


FIG. 5

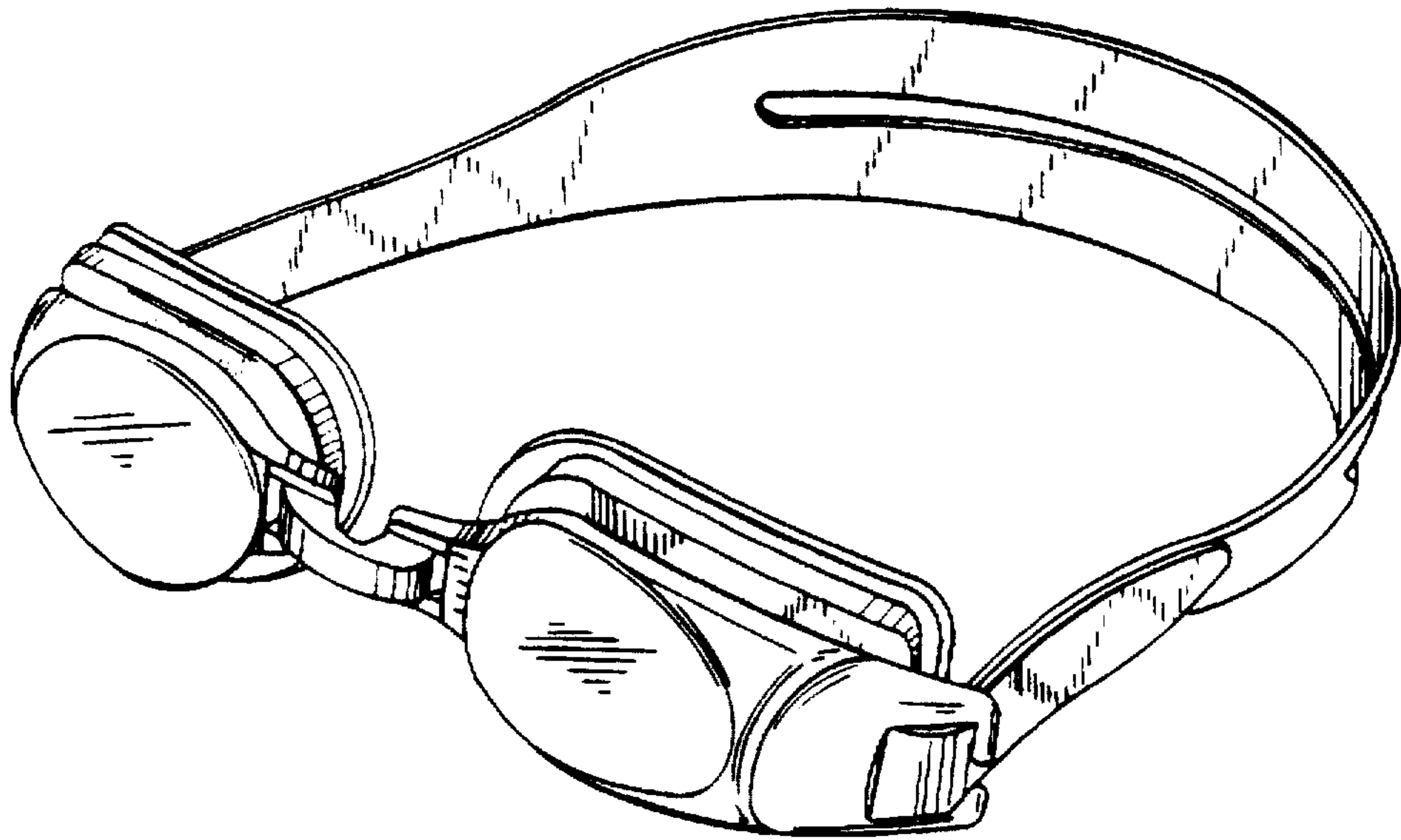


FIG. 6

