



US00D391282S

United States Patent [19]

Evers

[11] Patent Number: Des. 391,282

[45] Date of Patent: **Feb. 24, 1998

[54] FOLDABLE STEREOSCOPIC VIEWER

[76] Inventor: **Pieter Joannes Hendricus Evers**, 36, Lizzy Ansinghstraat, NL-1072 RD Amsterdam, Netherlands

[**] Term: 14 Years

[21] Appl. No.: 53,411

[22] Filed: Apr. 22, 1996

Related U.S. Application Data

[63] Continuation-in-part of Ser. No. 39,535, May 26, 1995, abandoned.

[30] Foreign Application Priority Data

Nov. 29, 1994 [NL] Netherlands 70317-01/02

[51] LOC (6) Cl. 16-02

[52] U.S. Cl. D16/222; 359/474

[58] Field of Search D16/221, 222, D16/225, 229; 40/361-367; 353/7, 8, 9; 359/462, 463, 466, 472, 474

[56] References Cited

U.S. PATENT DOCUMENTS

D. 171,480	2/1954	Beck	D16/222
D. 290,016	5/1987	Vitrac	D16/222
2,789,460	4/1957	Kaufman	359/474
3,438,698	4/1969	Triggs	40/365
5,218,470	6/1993	Mizukawa et al.	359/474

FOREIGN PATENT DOCUMENTS

WO94/04956 3/1994 WIPO 359/466

Primary Examiner—Philip S. Hyder
Assistant Examiner—Adir Aronovich
Attorney, Agent, or Firm—Banner & Witcoff, Ltd.

[57] CLAIM

The ornamental design for a foldable stereoscopic viewer, as shown and described.

DESCRIPTION

FIG. 1 is a frontal perspective view of a foldable stereoscopic viewer showing my new design;

FIG. 2 is a rear perspective view of the viewer shown in FIG. 1;

FIG. 3 is a front elevational view of the viewer shown in FIG. 1;

FIG. 4 is a rear elevational view of the viewer shown in FIG. 1;

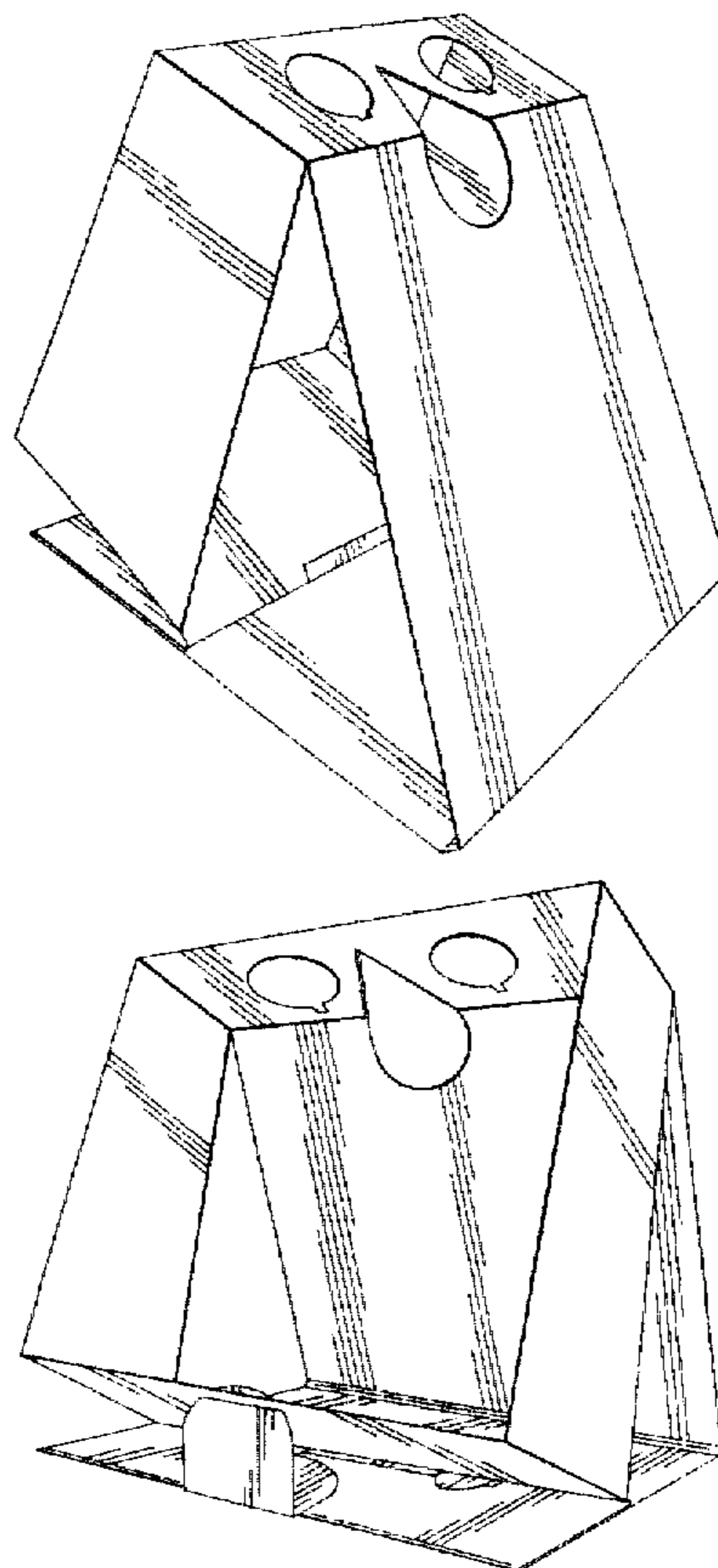
FIG. 5 is a top plan view of the viewer shown in FIG. 1;

FIG. 6 is a bottom plan view of the viewer shown in FIG. 1;

FIG. 7 is a reduced side elevational view of the viewer shown in FIG. 1, the opposite side being a mirror image thereof; and,

FIG. 8 is a top plan view of the foldable blank of the viewer shown in FIG. 1.

1 Claim, 6 Drawing Sheets



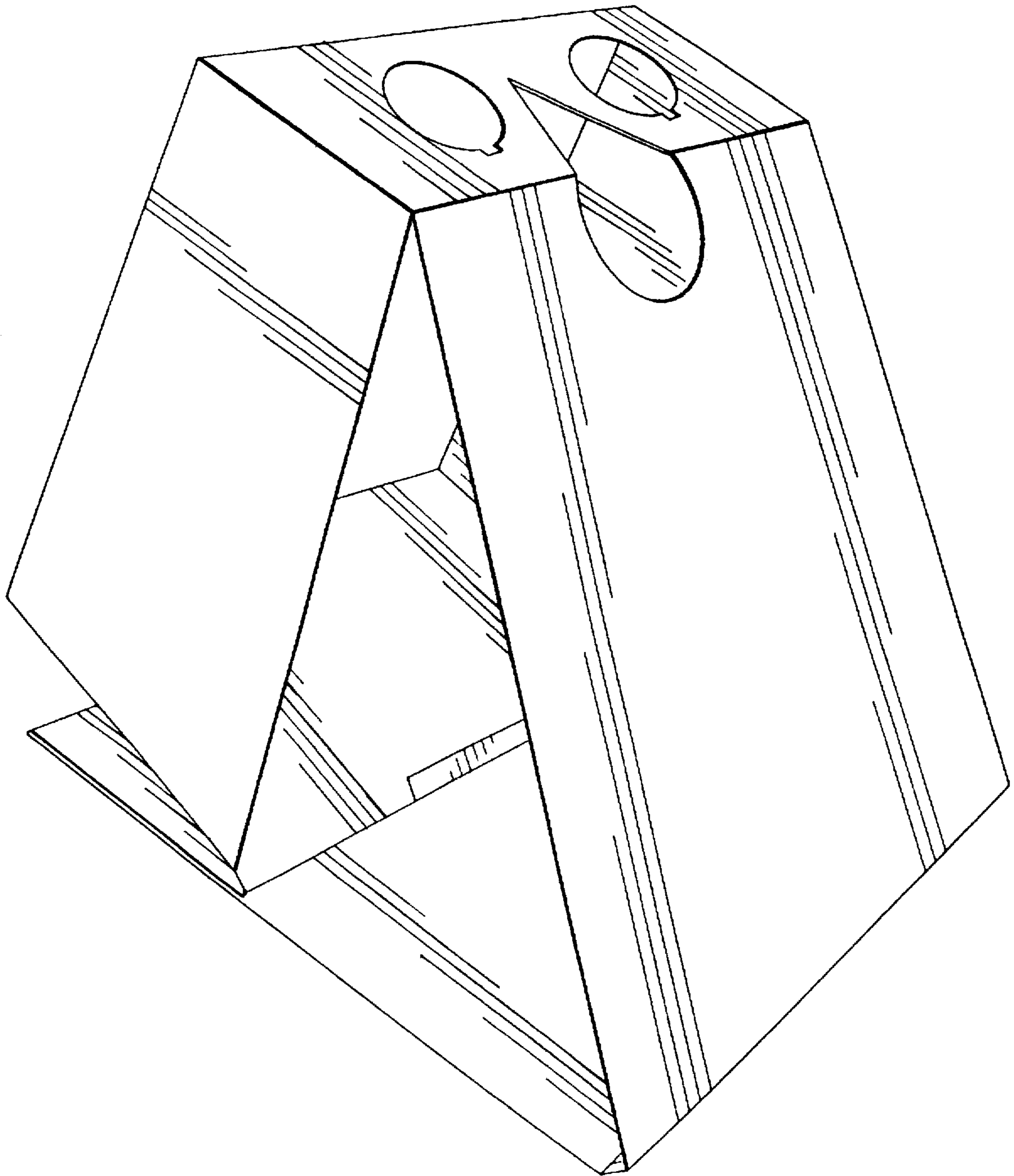


FIG. 1

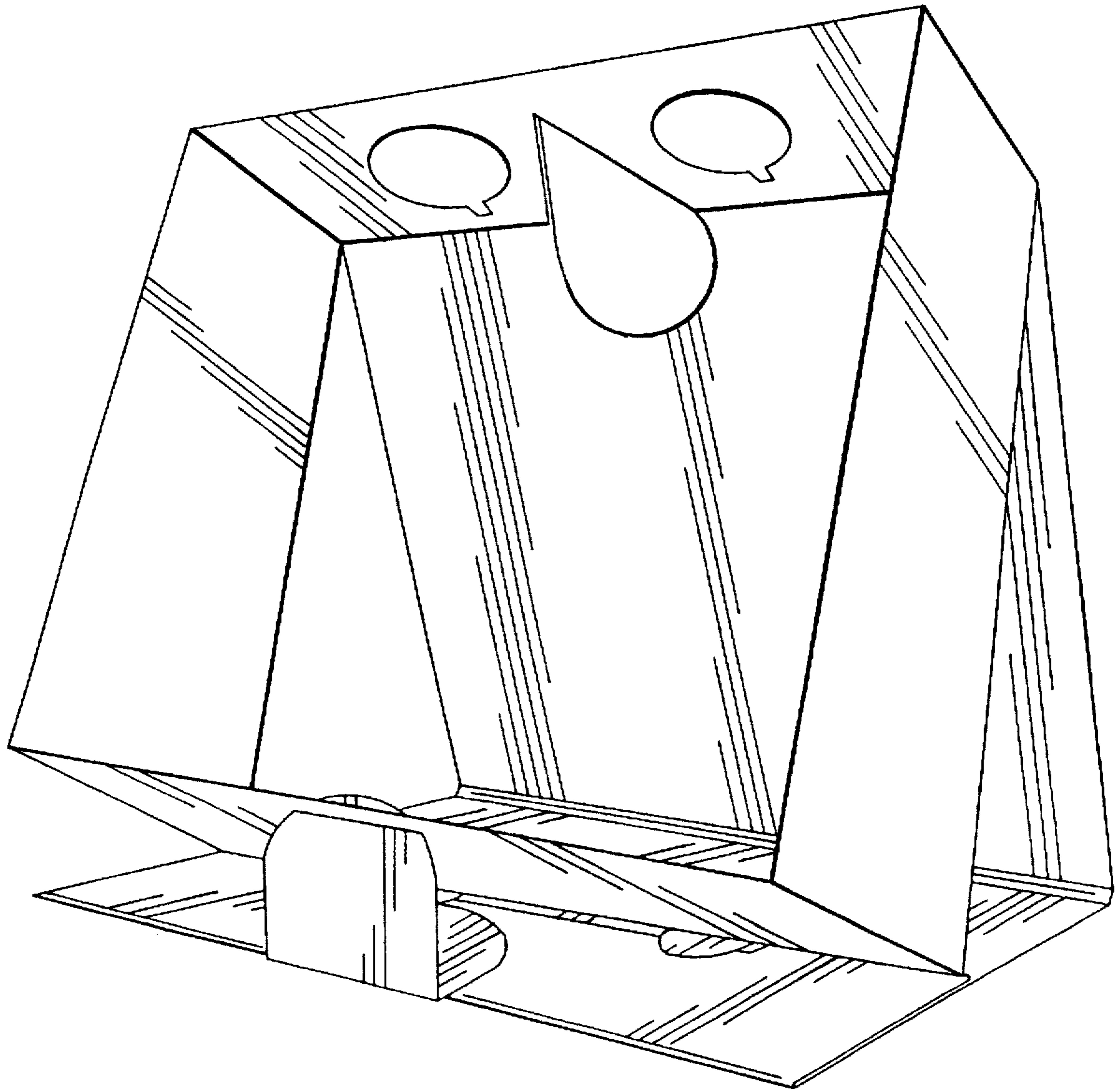


FIG. 2

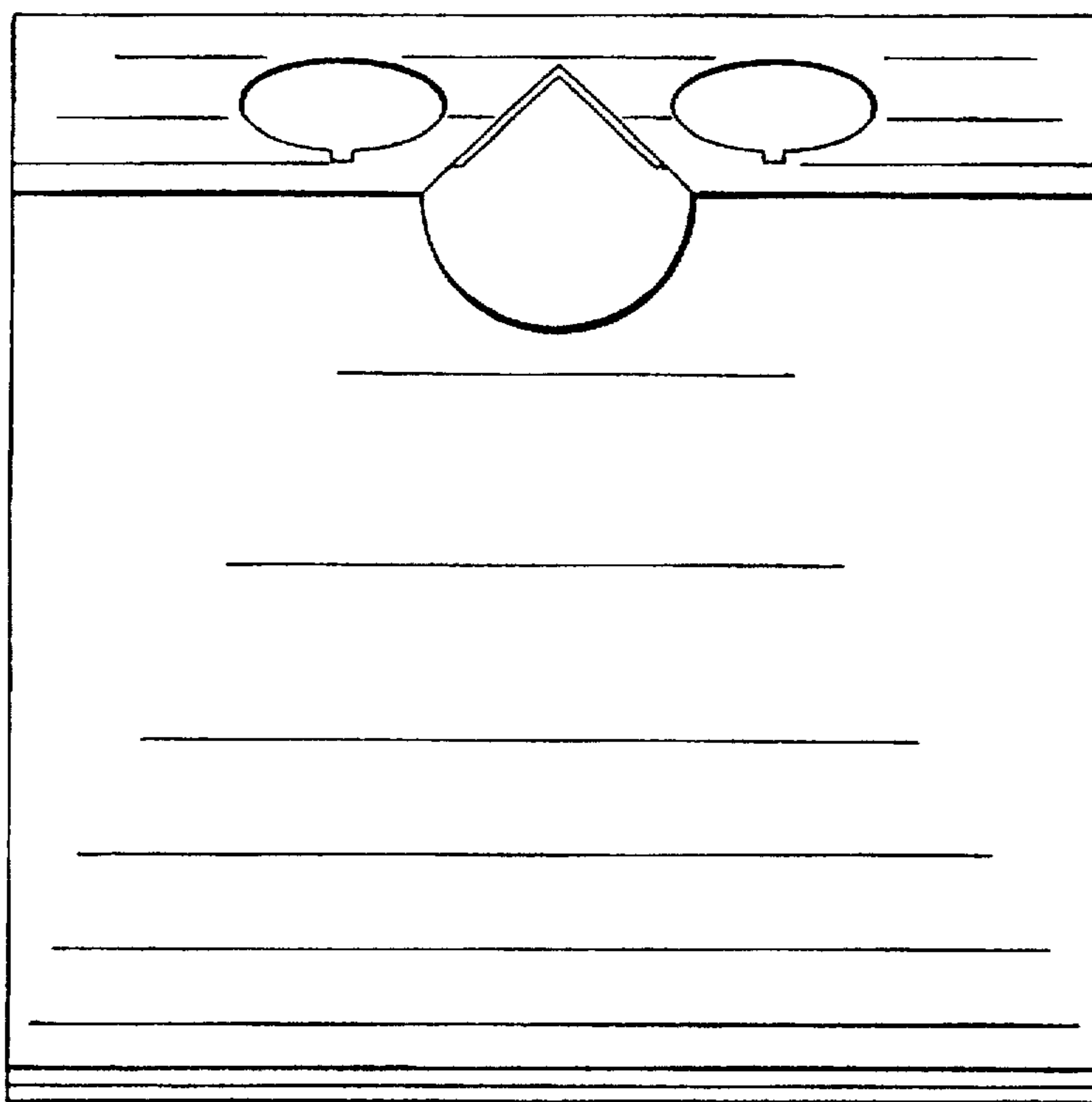


FIG. 3

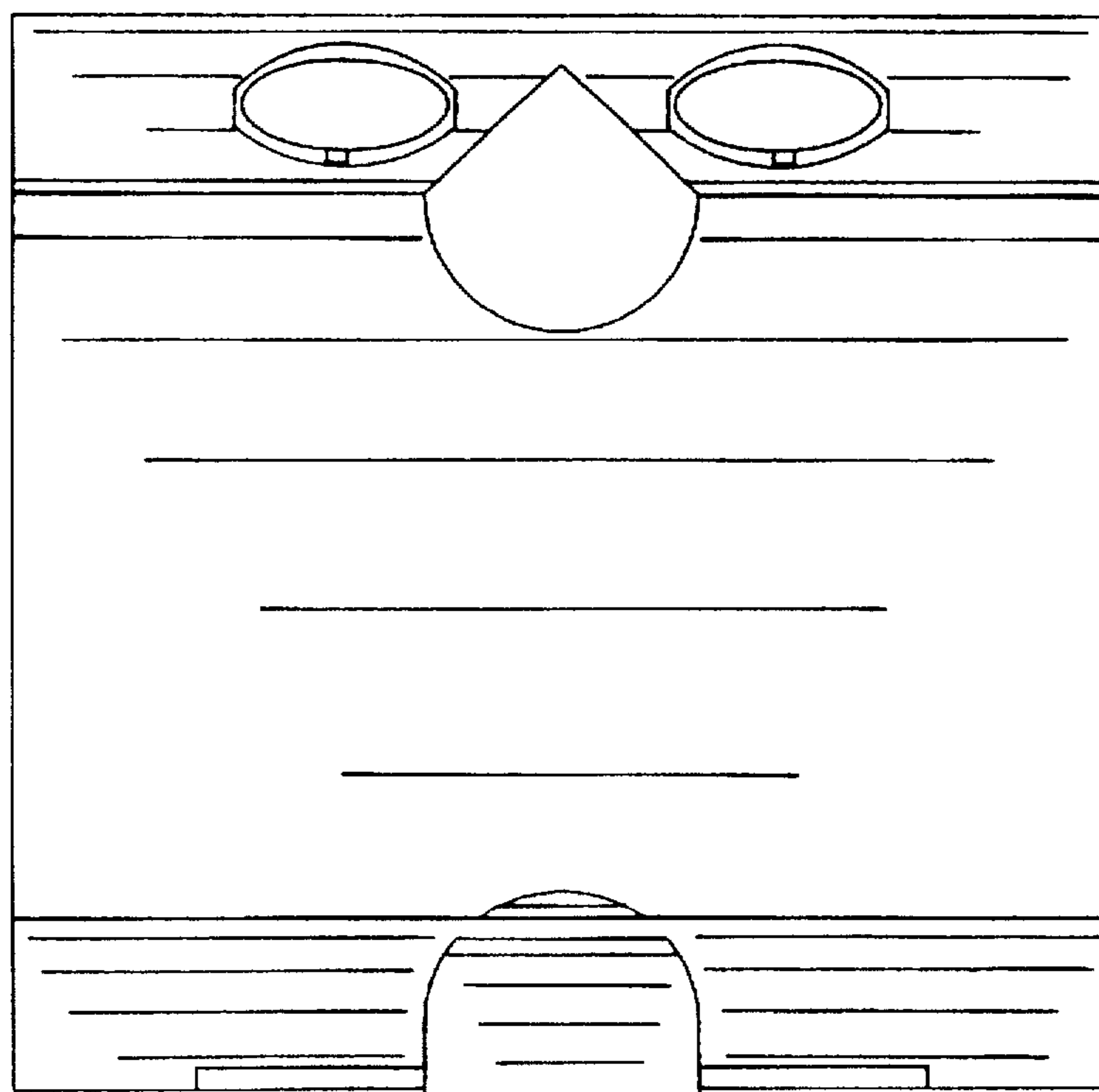


FIG. 4

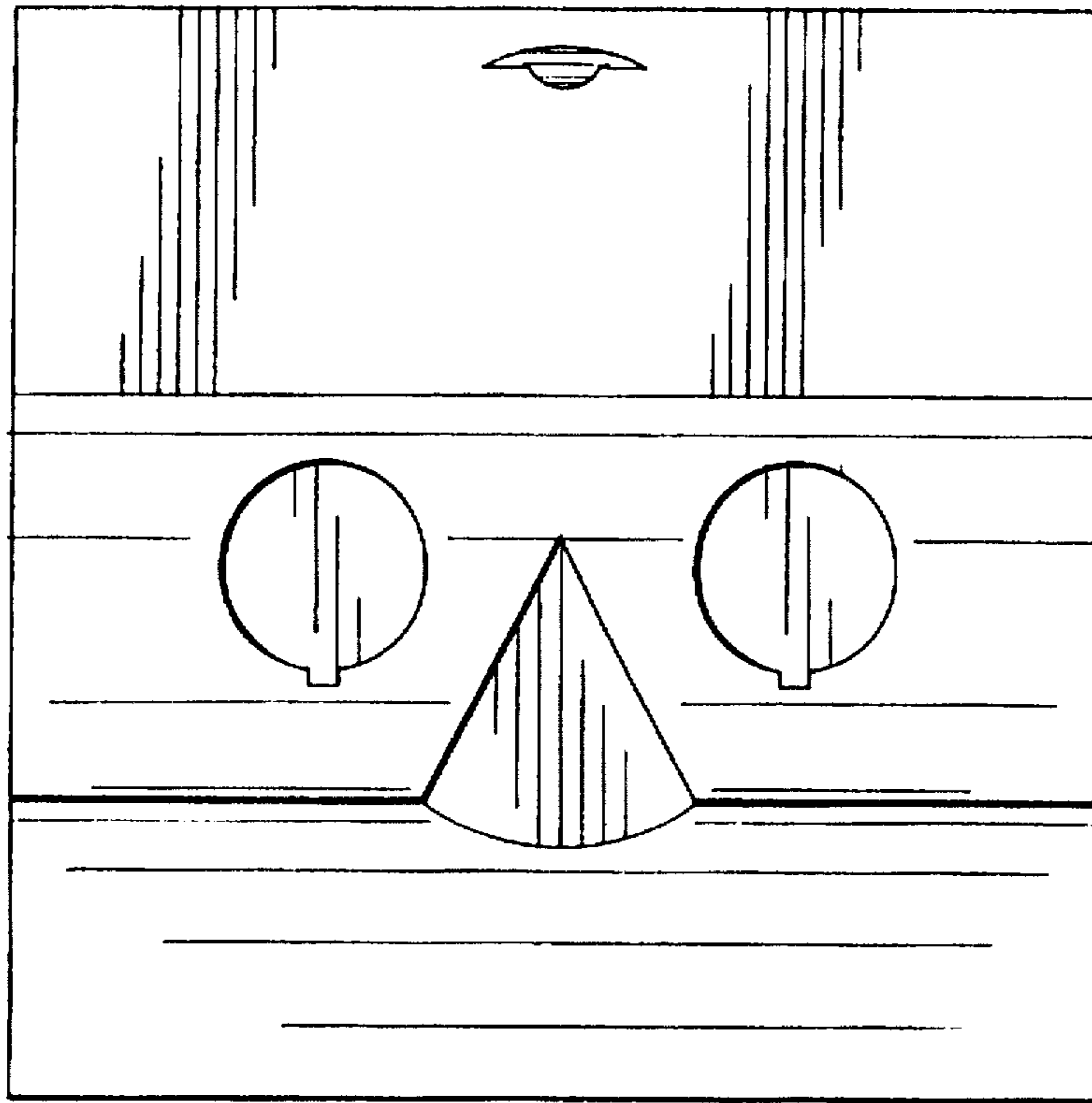


FIG. 5

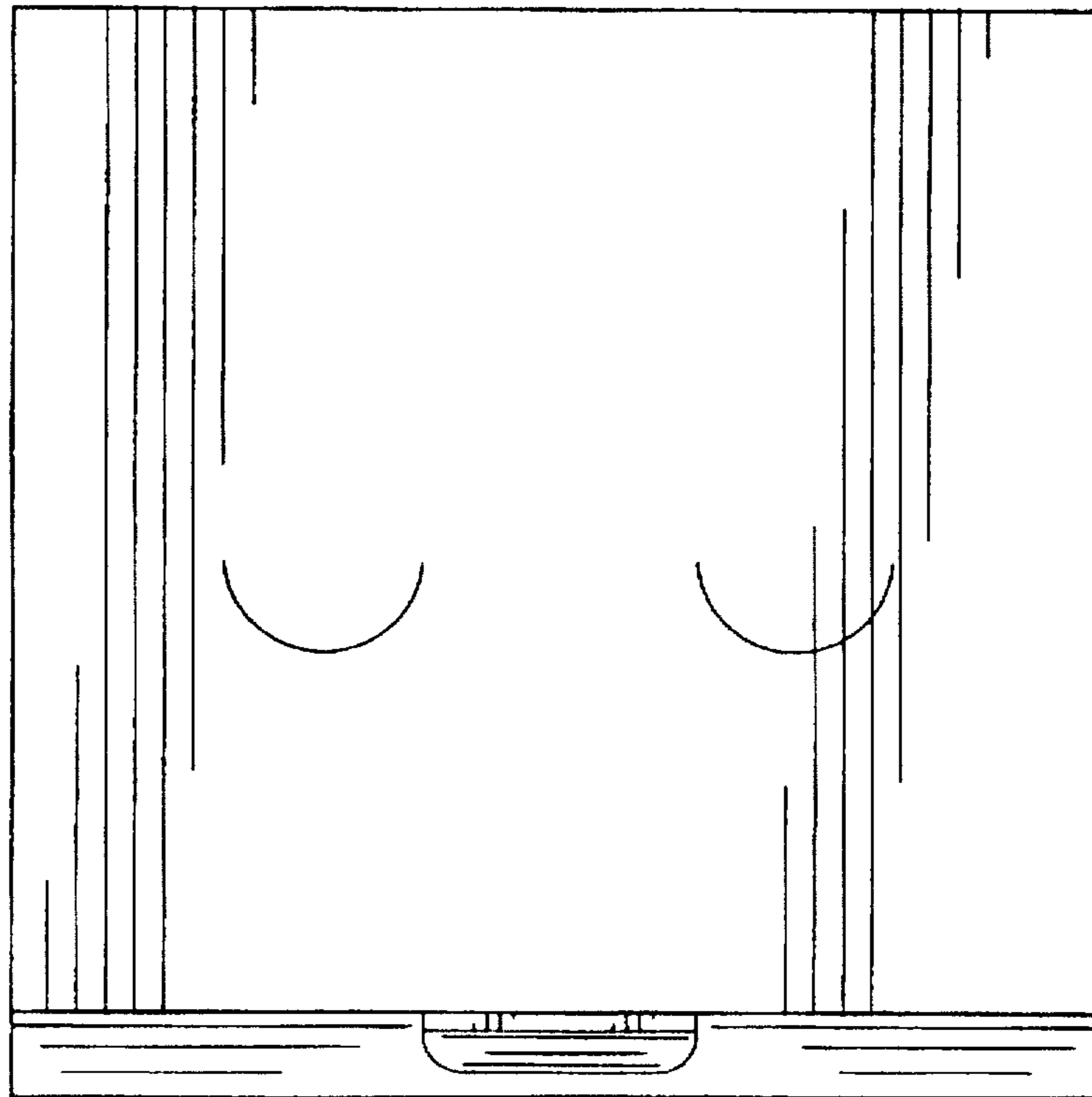


FIG. 6

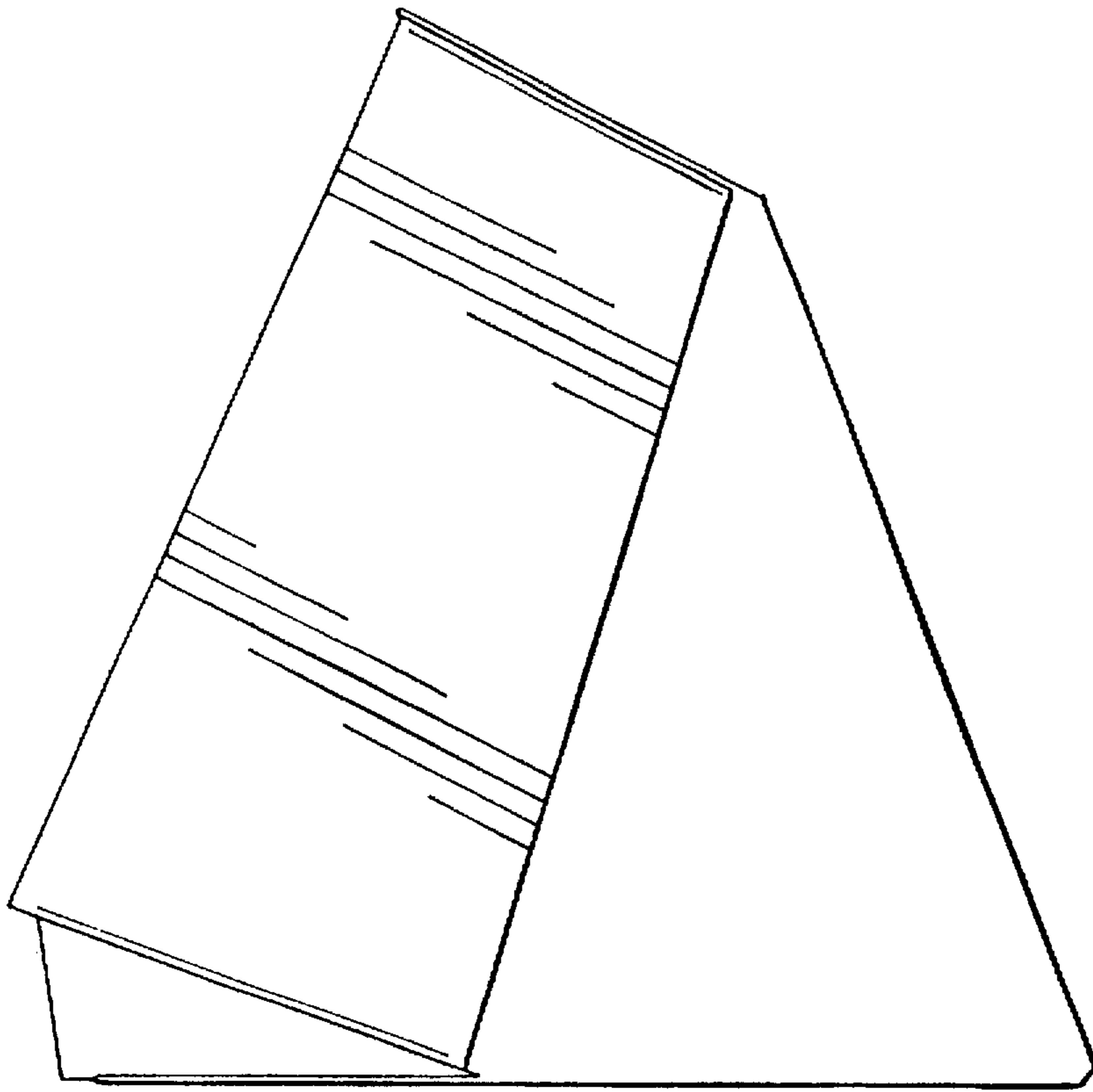


FIG. 7

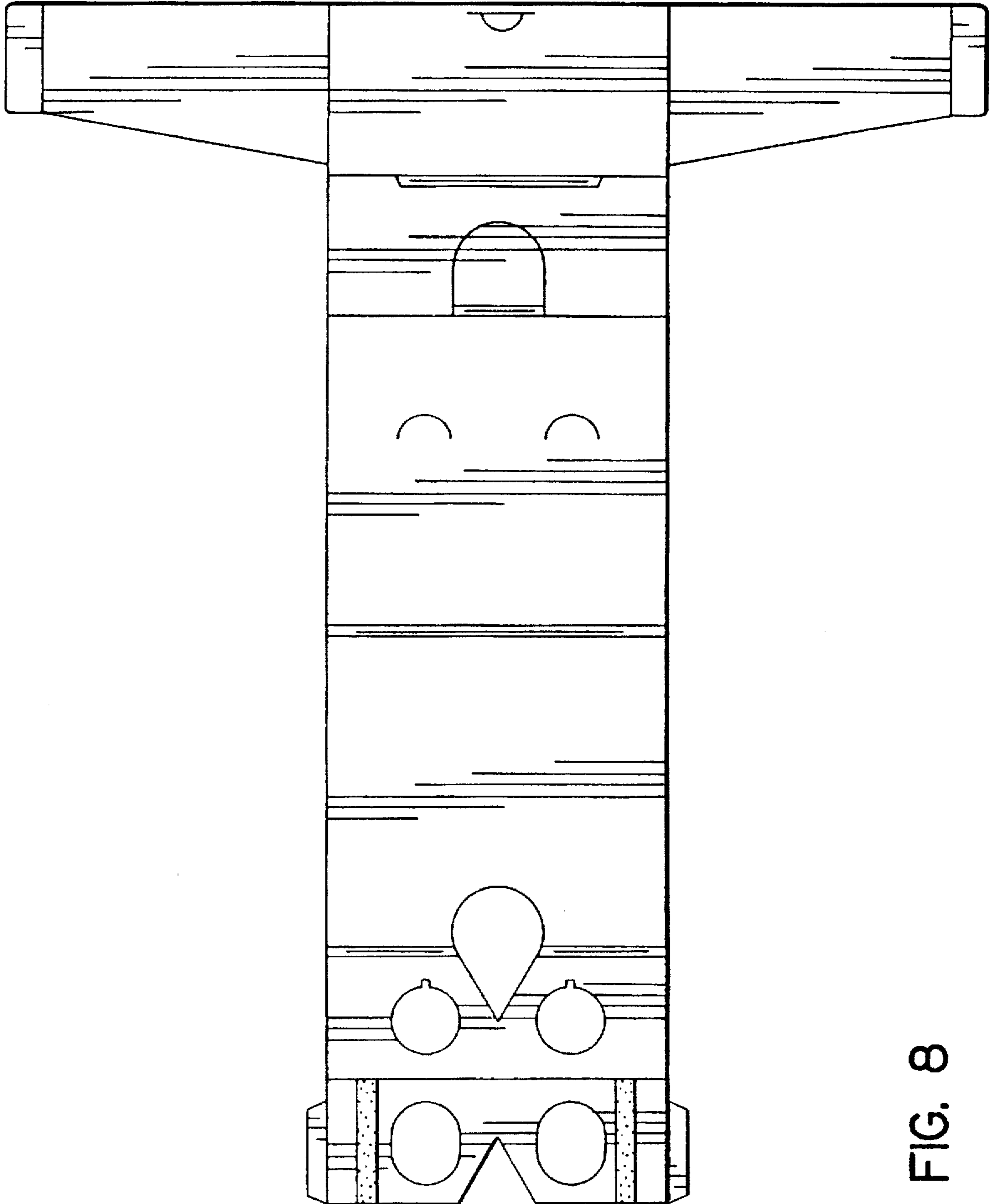


FIG. 8