



US00D391281S

United States Patent [19]

Itakura et al.

[11] Patent Number: Des. 391,281

[45] Date of Patent: **Feb. 24, 1998

[54] **COMBINED VIDEO CAMERA, LIQUID CRYSTAL MONITOR AND VIDEO TAPE RECORDER**

[75] Inventors: **Yoshitomo Itakura; Kiyoshi Suzuki**, both of Osaka, Japan

[73] Assignee: **Matsushita Electric Industrial Co., Ltd.**, Osaka, Japan

[**] Term: **14 Years**

[21] Appl. No.: **70,394**

[22] Filed: **Apr. 30, 1997**

[30] **Foreign Application Priority Data**

Oct. 31, 1996 [JP] Japan 8-33050

[51] **LOC (6) Cl.** **16-01**

[52] **U.S. Cl.** **D16/202**

[58] **Field of Search** **D16/200-205; 348/373-376; 352/242, 243; 358/906, 909.1**

[56] **References Cited**

U.S. PATENT DOCUMENTS

D. 355,664	2/1995	Kataoka	D16/202
D. 356,589	3/1995	Sumita	D16/202
D. 375,107	10/1996	Ishii	D16/202
D. 375,318	11/1996	Ishii	D16/202
5,305,030	4/1994	Yokoyama et al.	396/27

OTHER PUBLICATIONS

Video Magazine, p. 91 (Hitachi's VMH39a), Jan. 1991.

Primary Examiner—Philip S. Hyder

Assistant Examiner—Adir Aronovich

Attorney, Agent, or Firm—Sughrue, Mion, Zinn, Macpeak & Seas, PLLC

[57] **CLAIM**

The ornamental design for a combined video camera, liquid crystal monitor and video tape recorder, as shown and described.

DESCRIPTION

FIG. 1 is a perspective view of the top, front and right side of a combined video camera, liquid crystal monitor and video tape recorder showing our new design;

FIG. 2 is a front elevational view thereof;

FIG. 3 is a right side elevational view thereof;

FIG. 4 is a left side elevational view thereof;

FIG. 5 is a top plan view thereof;

FIG. 6 is a bottom plan view thereof;

FIG. 7 is a rear elevational view thereof;

FIG. 8 is a perspective view of the rear, top and right side thereof with the eye piece extended rearwardly;

FIG. 9 is a perspective view of the rear, top and right side thereof, with the liquid crystal monitor pivoted to an operative position; and,

FIG. 10 is a perspective view of the rear, top and right side thereof with the eye piece pivoted upwardly.

1 Claim, 7 Drawing Sheets

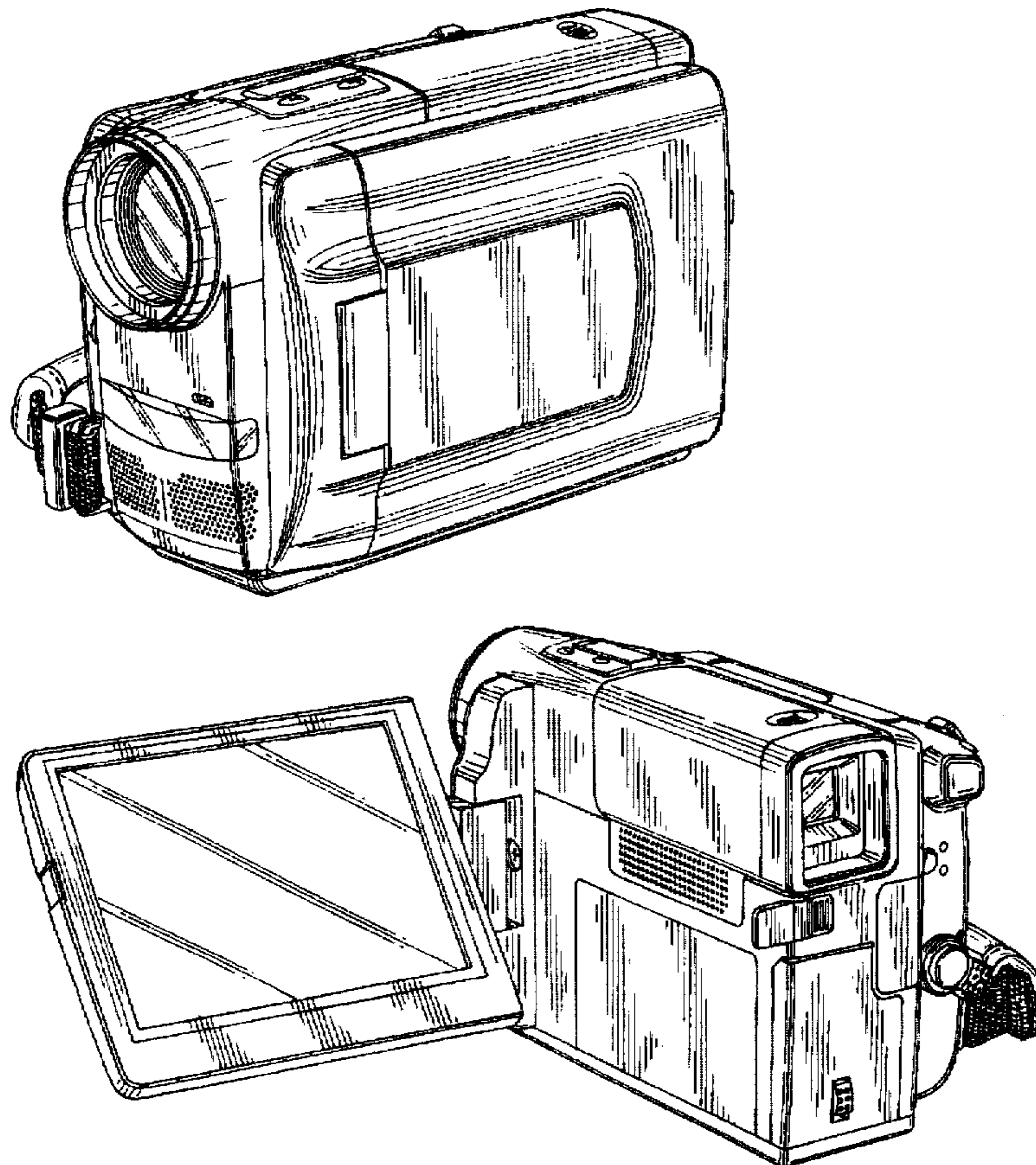


FIG. 1

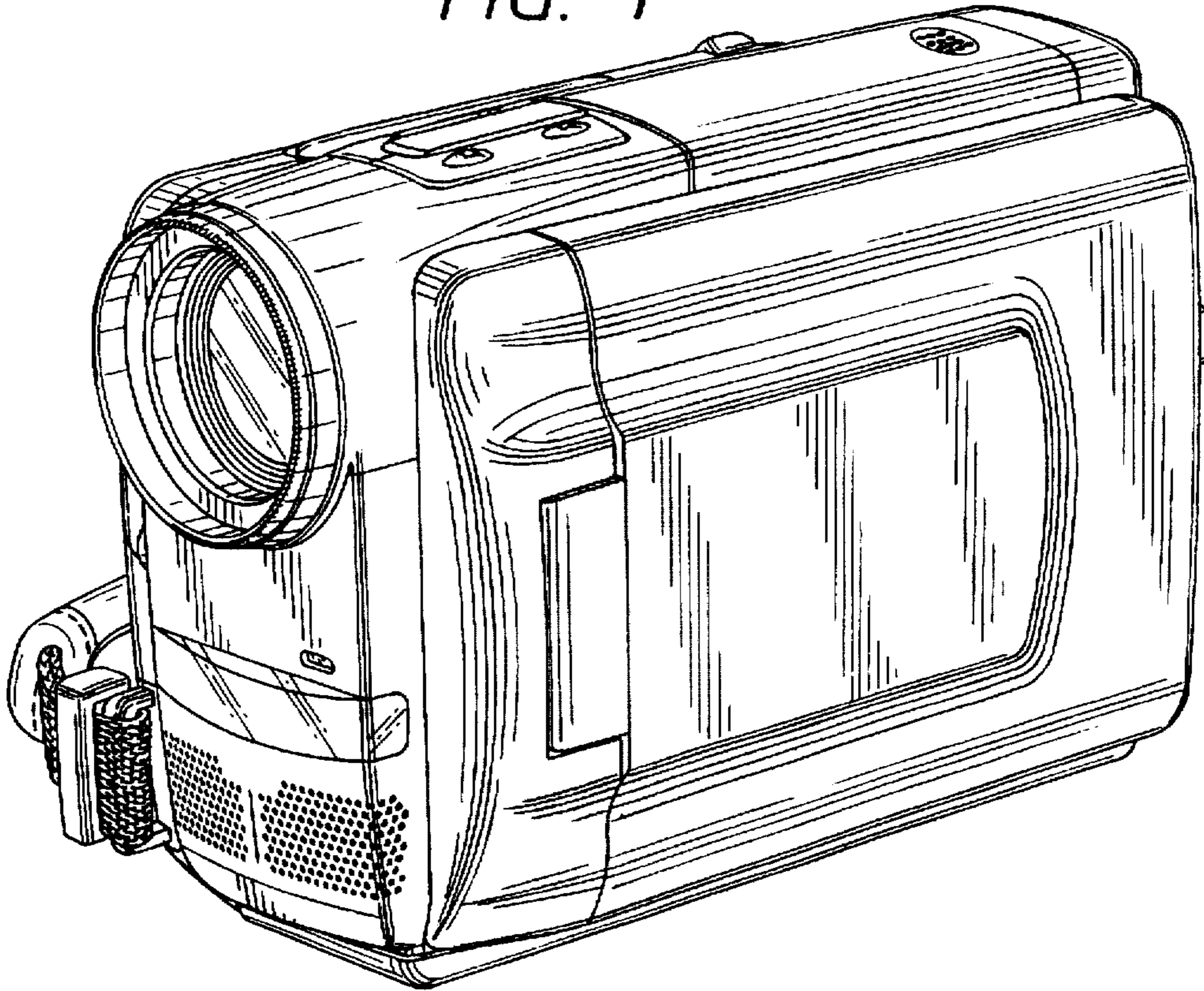


FIG. 2

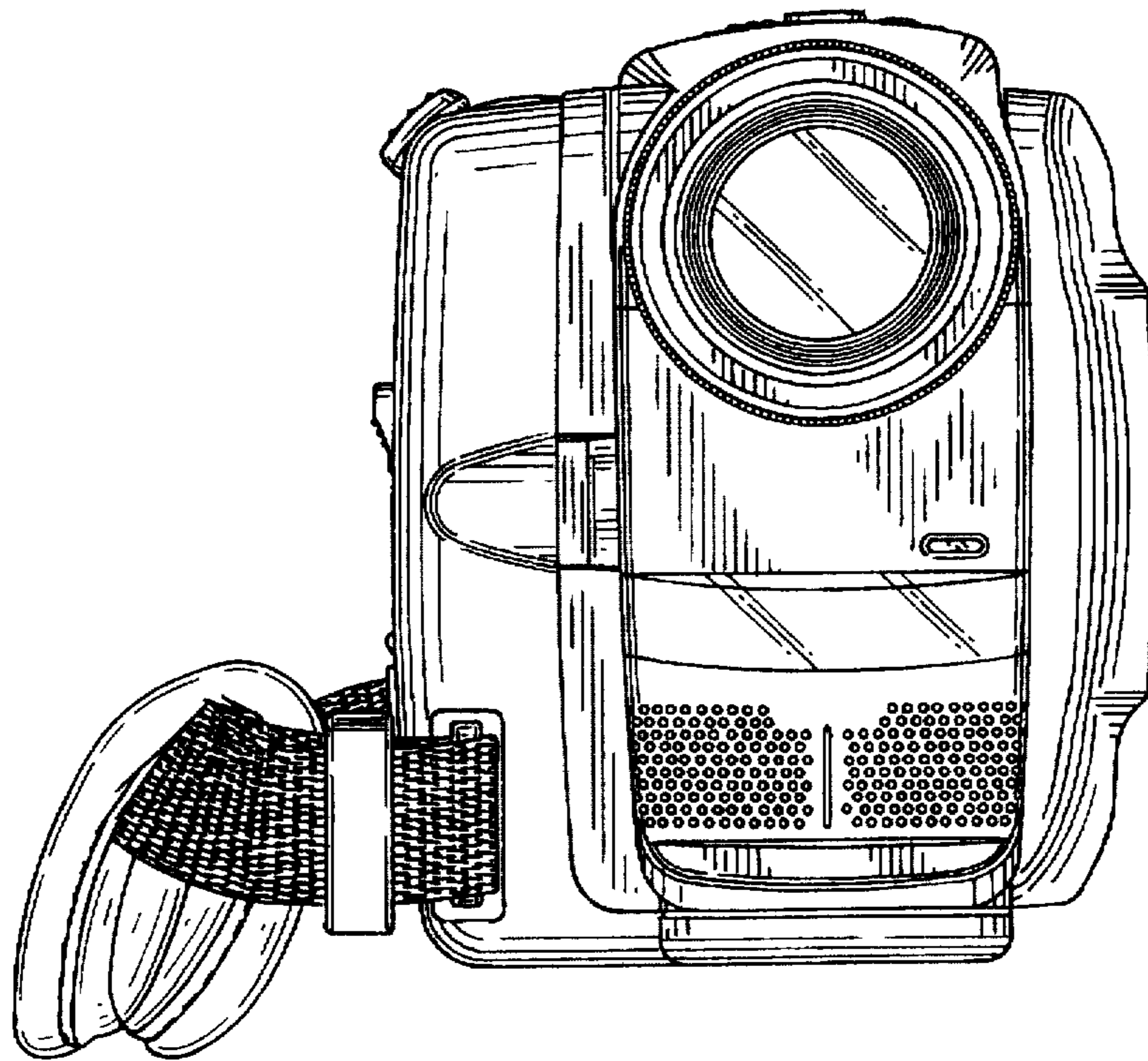


FIG. 3

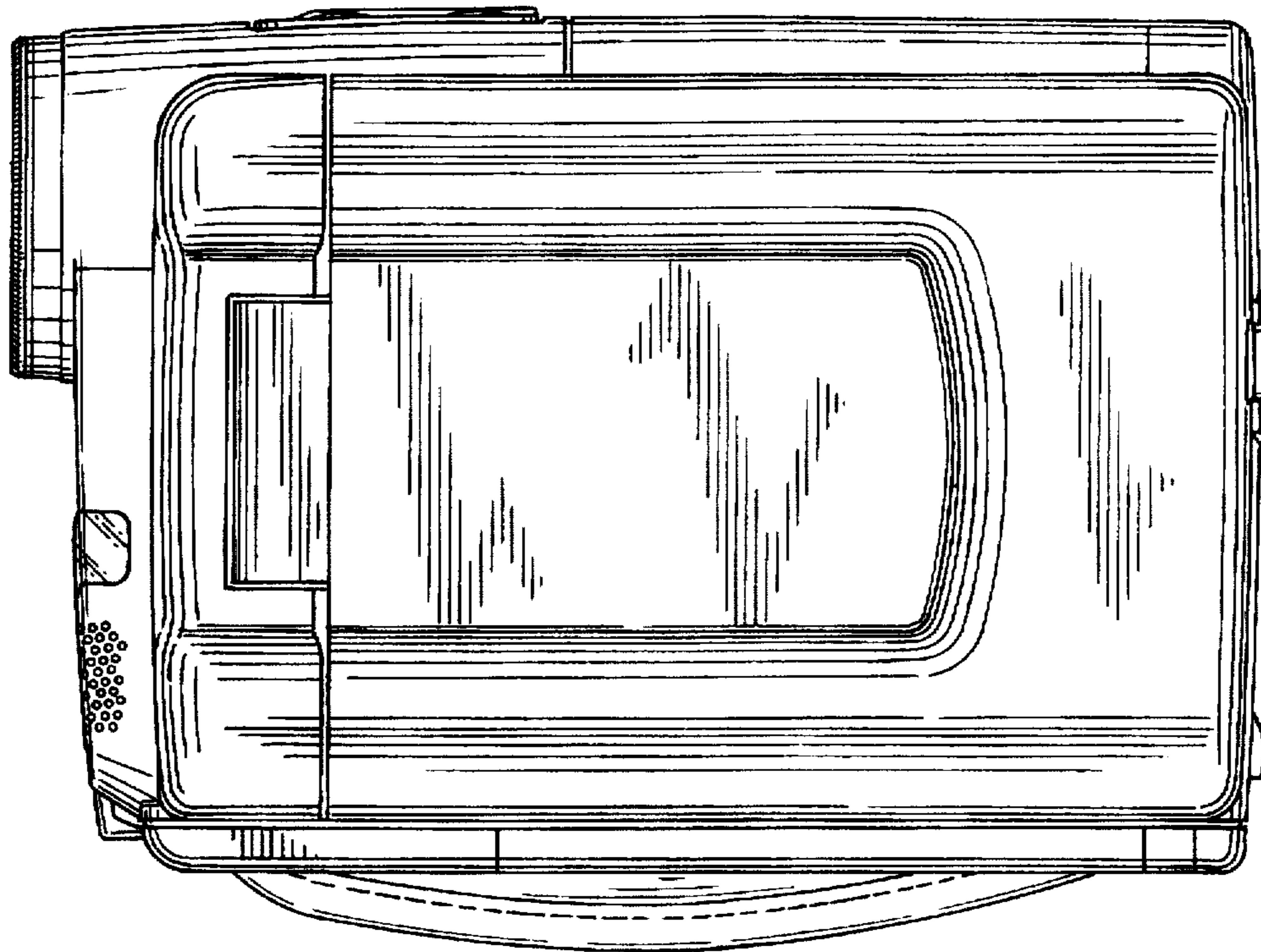


FIG. 4

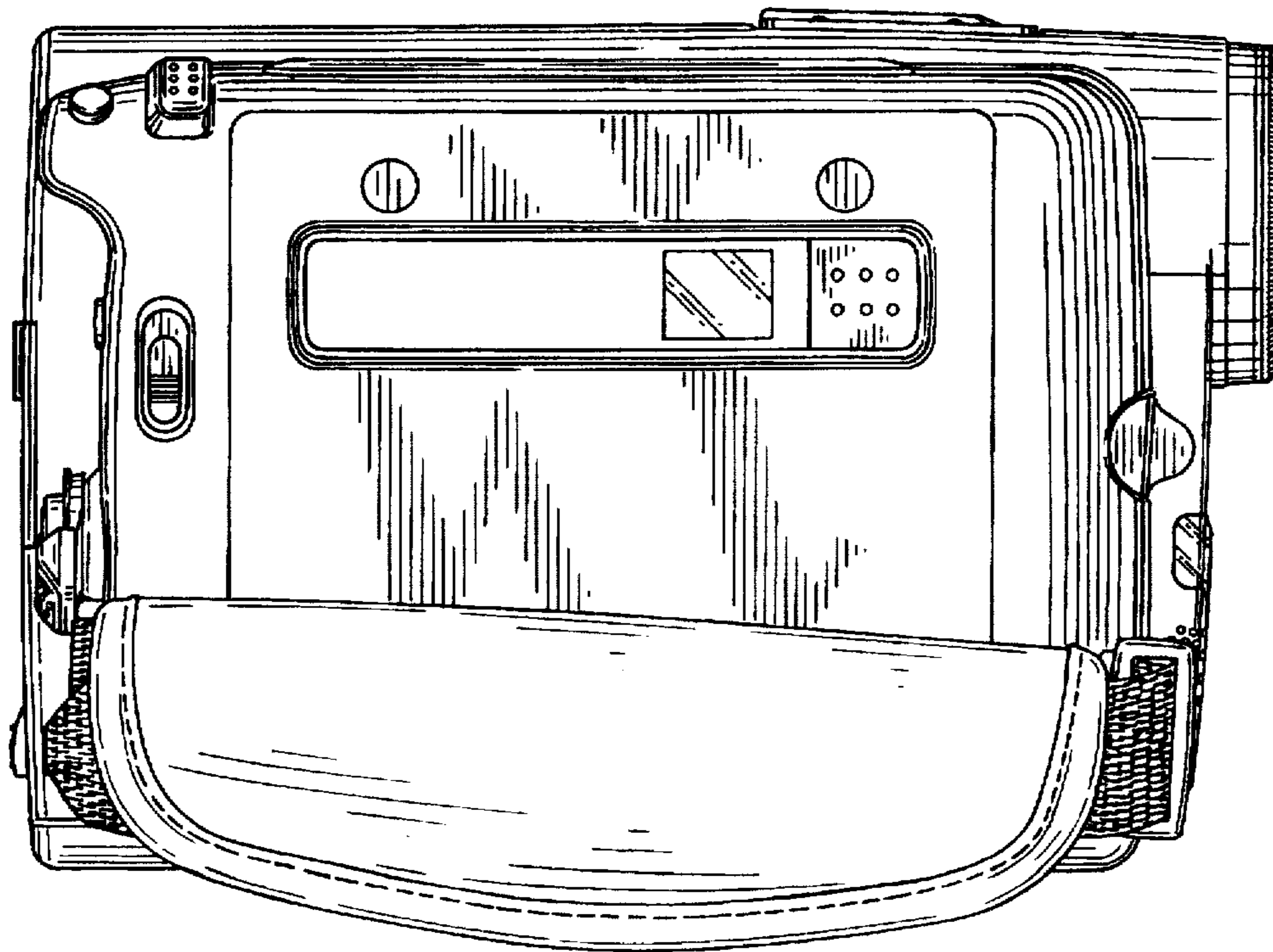


FIG. 5

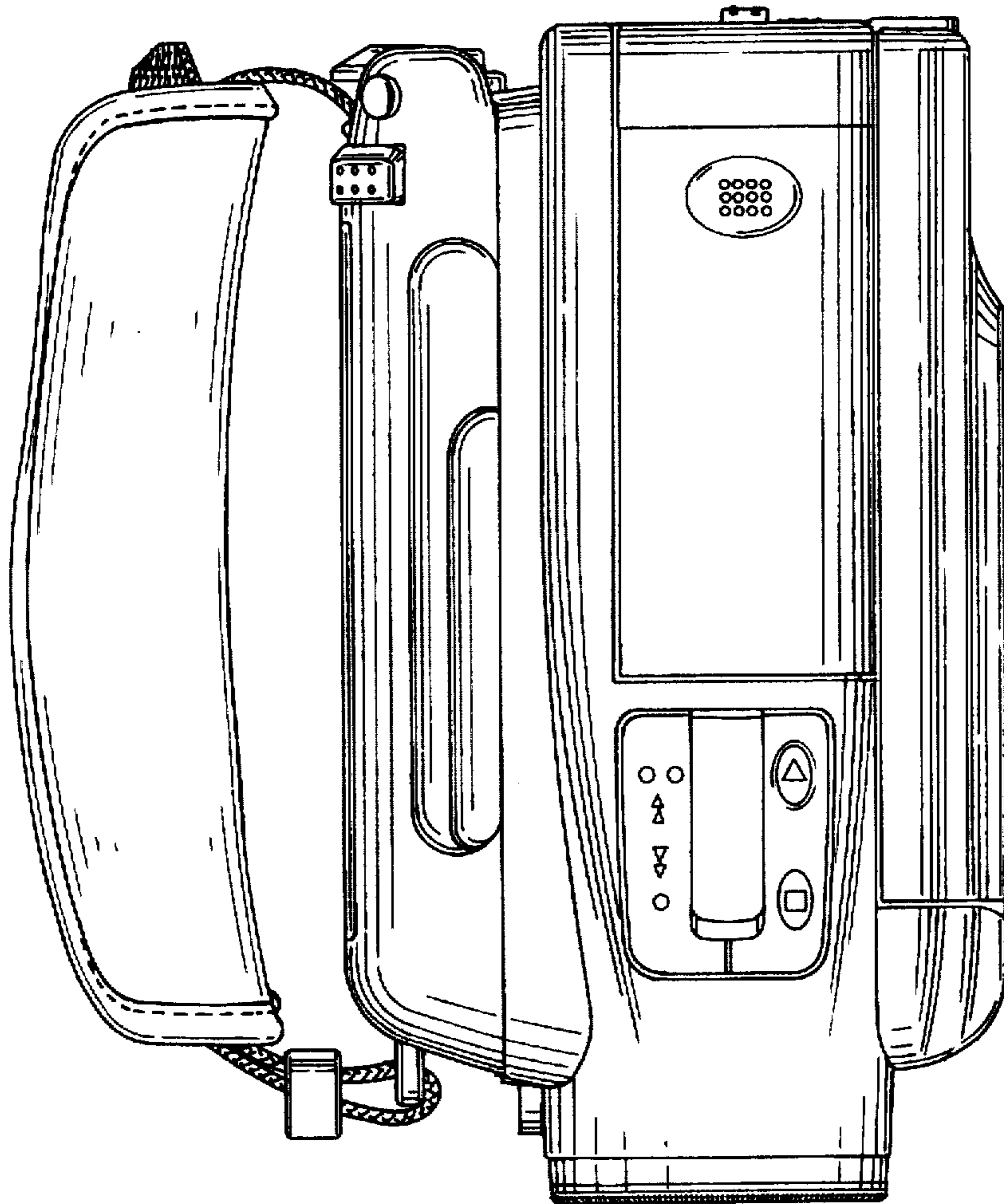


FIG. 6



FIG. 7

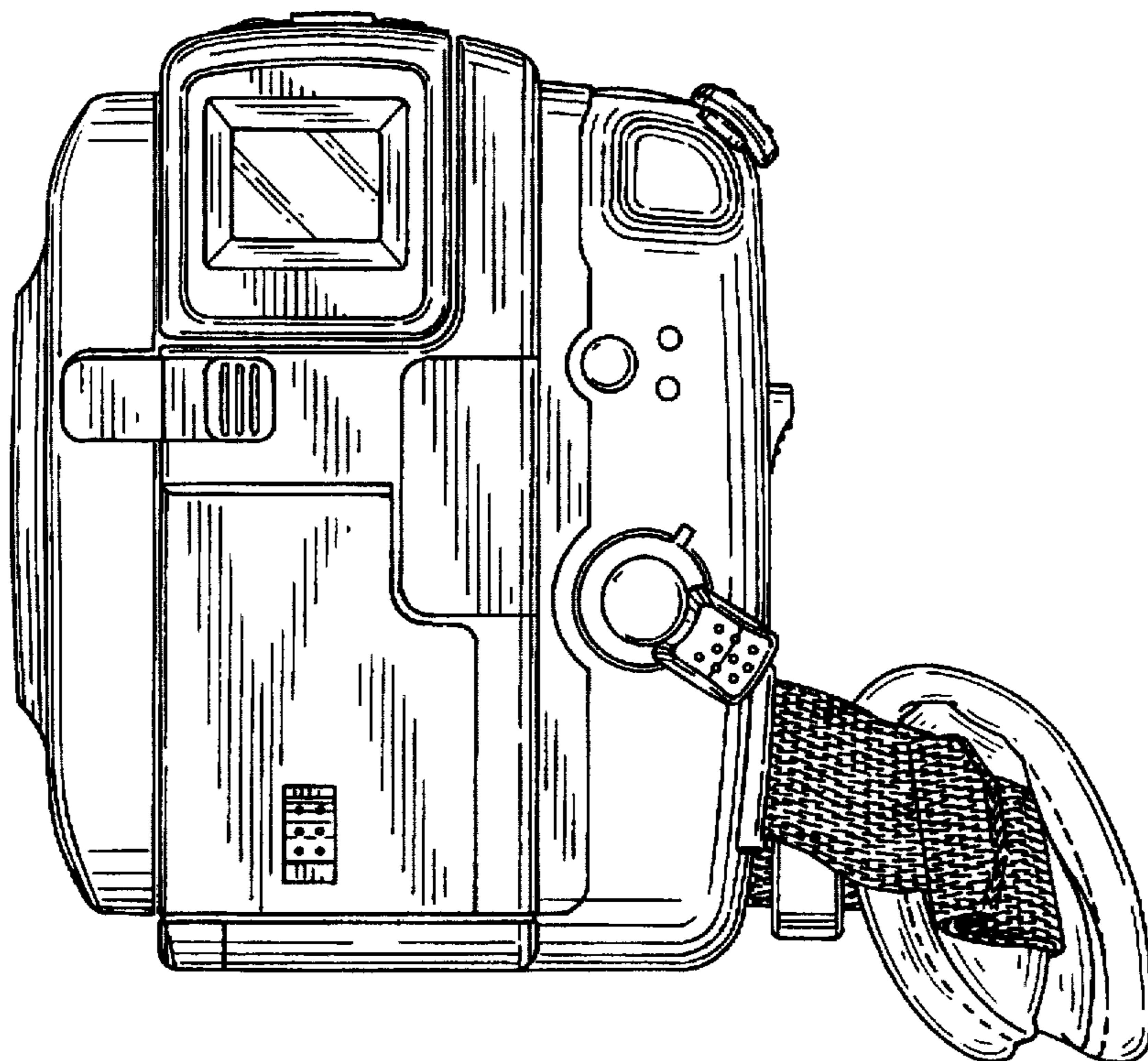


FIG. 8

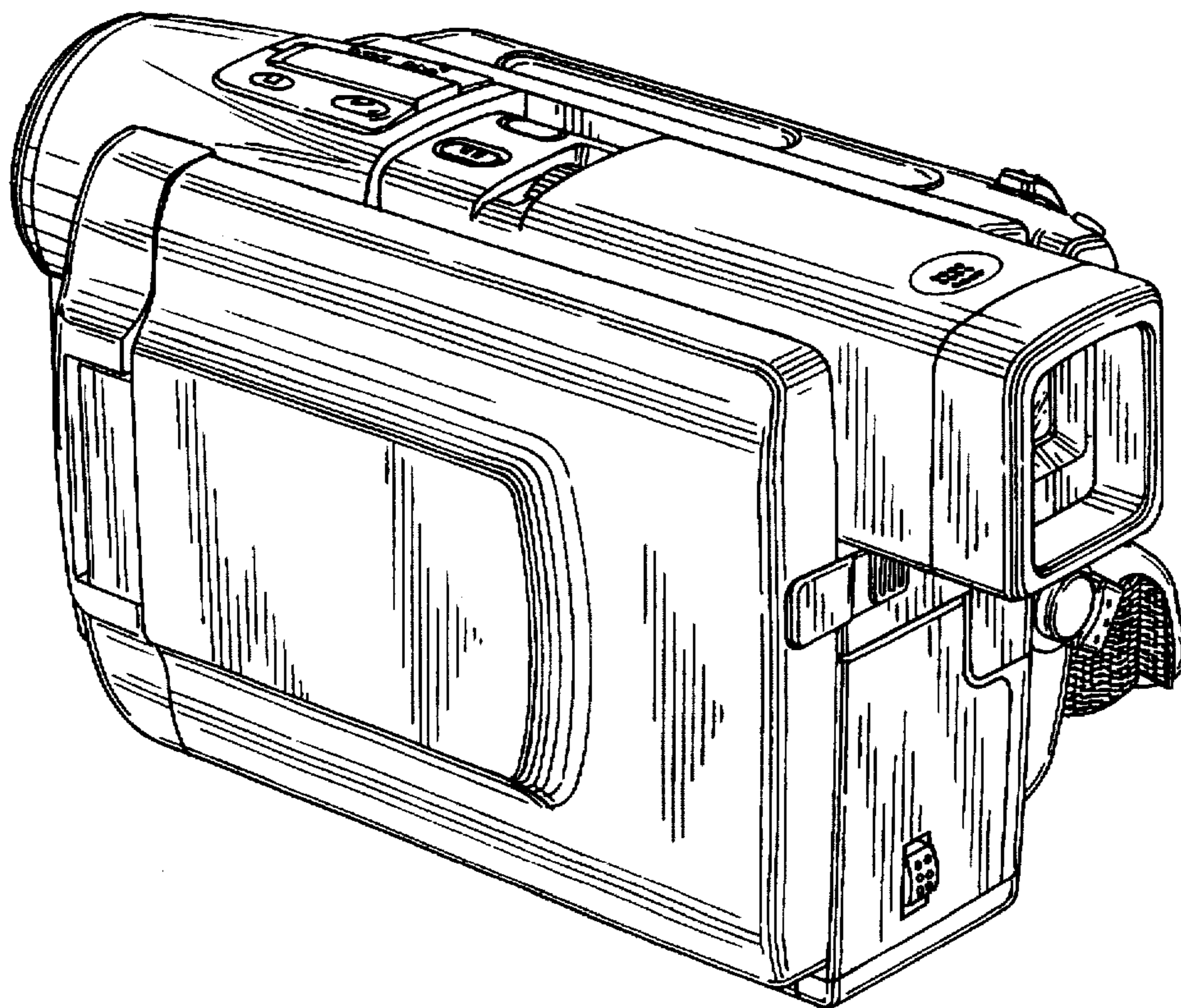


FIG. 9

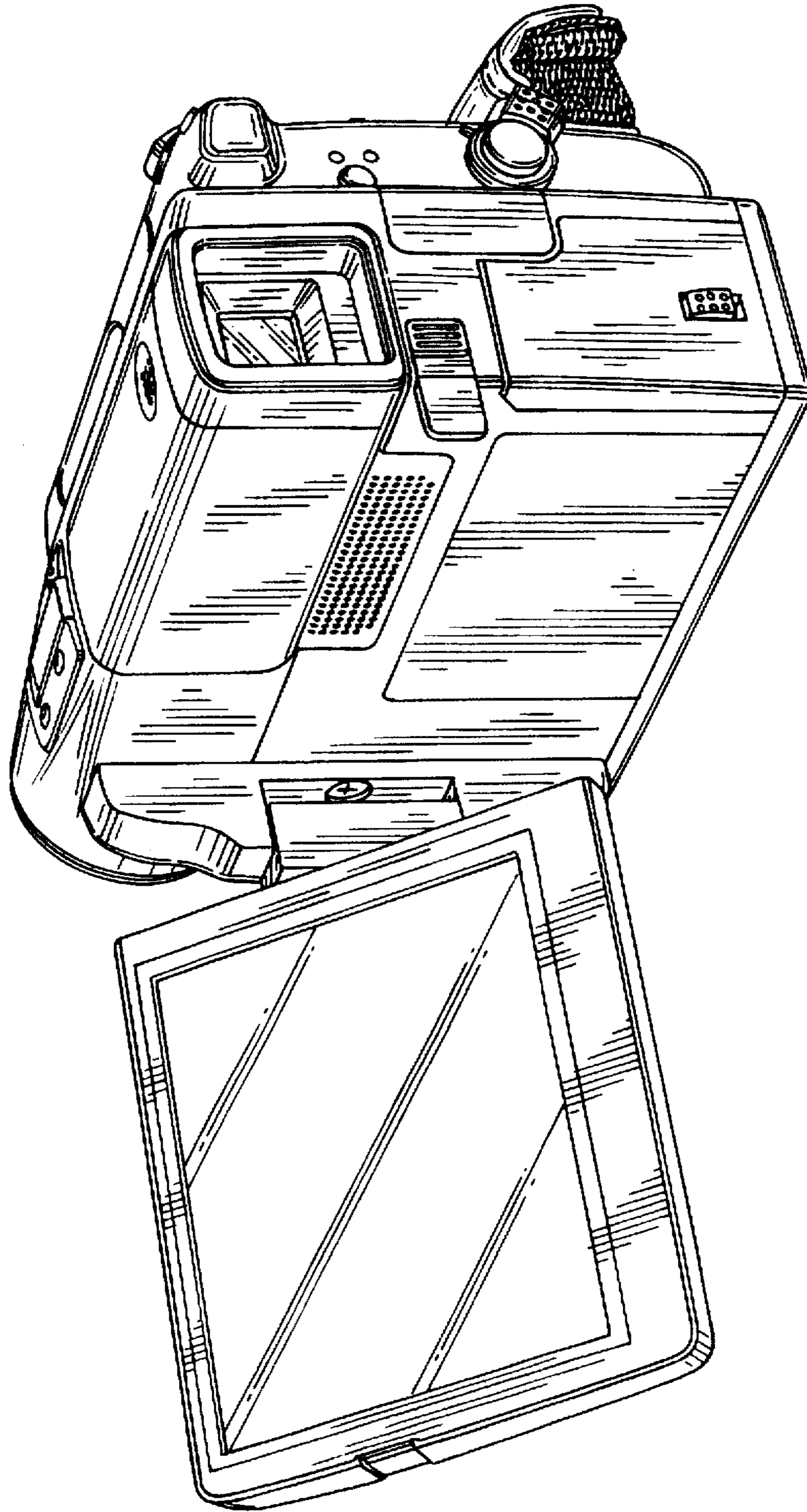


FIG. 10

