



US00D391280S

# United States Patent [19]

[11] Patent Number: **Des. 391,280**

Miki et al.

[45] Date of Patent: **\*\*Feb. 24, 1998**

[54] **COMBINED VIDEO CAMERA WITH LIQUID CRYSTAL MONITOR AND VIDEO TAPE RECORDER**

D. 369,818 5/1996 Ono ..... D16/202  
5,442,453 8/1995 Takagi et al. .... 348/374

[75] Inventors: **Ryuji Miki**, Hyogo; **Mamoru Shiozaki**, Osaka, both of Japan

*Primary Examiner*—Philip S. Hyder  
*Assistant Examiner*—Adir Aronovich  
*Attorney, Agent, or Firm*—Sughrue, Mion, Zinn, Macpeak & Seas, PLLC

[73] Assignee: **Matsushita Electric Industrial Co., Ltd.**, Osaka, Japan

### [57] CLAIM

[\*\*] Term: **14 Years**

The ornamental design for a combined video camera with liquid crystal monitor and video tape recorder, as shown and described.

[21] Appl. No.: **69,731**

### DESCRIPTION

[22] Filed: **Apr. 21, 1997**

### [30] Foreign Application Priority Data

Oct. 24, 1996 [JP] Japan ..... 8-32210

[51] LOC (6) Cl. .... **16-01**

[52] U.S. Cl. .... **D16/202**

[58] Field of Search ..... D16/200-205,  
D16/208, 216, 217-218; 348/373-376;  
358/906, 909.1; 396/535-543

FIG. 1 is a perspective view of the top, front and right side of a combined video camera with liquid crystal monitor and video tape recorder showing our new design; FIG. 2 is a front elevational view thereof; FIG. 3 is a top plan view thereof; FIG. 4 is a bottom plan view thereof; FIG. 5 is a right side elevational view thereof; FIG. 6 is a left side elevational view thereof; FIG. 7 is a rear elevational view thereof; FIG. 8 is a perspective view of the rear, bottom and right side thereof with the video tape recorder in a rearwardly directed condition; and, FIG. 9 is a view similar to FIG. 1 with the video tape recorder in a downwardly directed condition.

### [56] References Cited

#### U.S. PATENT DOCUMENTS

D. 352,729 11/1994 Tsujimura et al. .... D16/202  
D. 361,079 8/1995 Ono ..... D16/202  
D. 366,269 1/1996 Ohi et al. .... D16/202

**1 Claim, 5 Drawing Sheets**

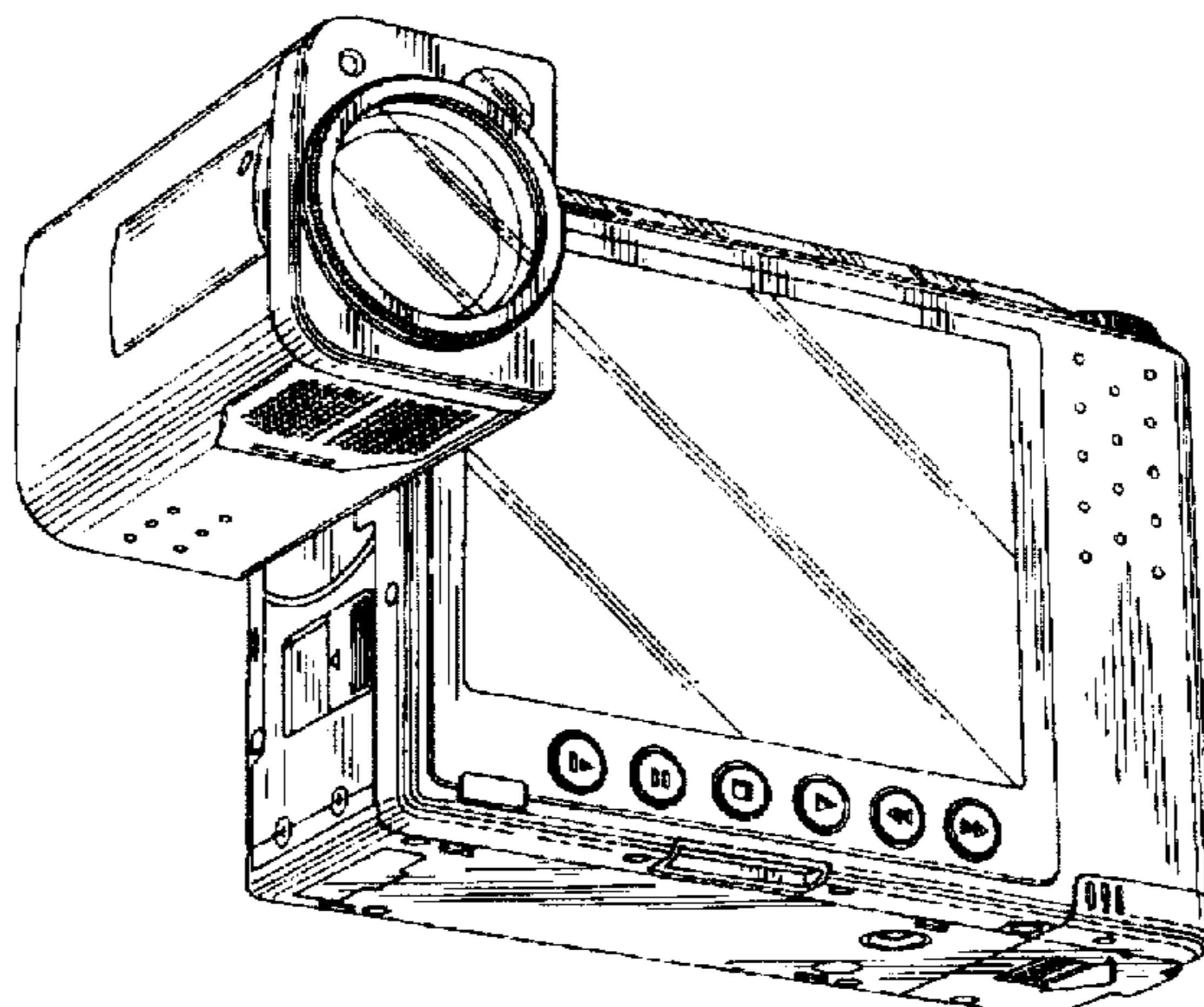
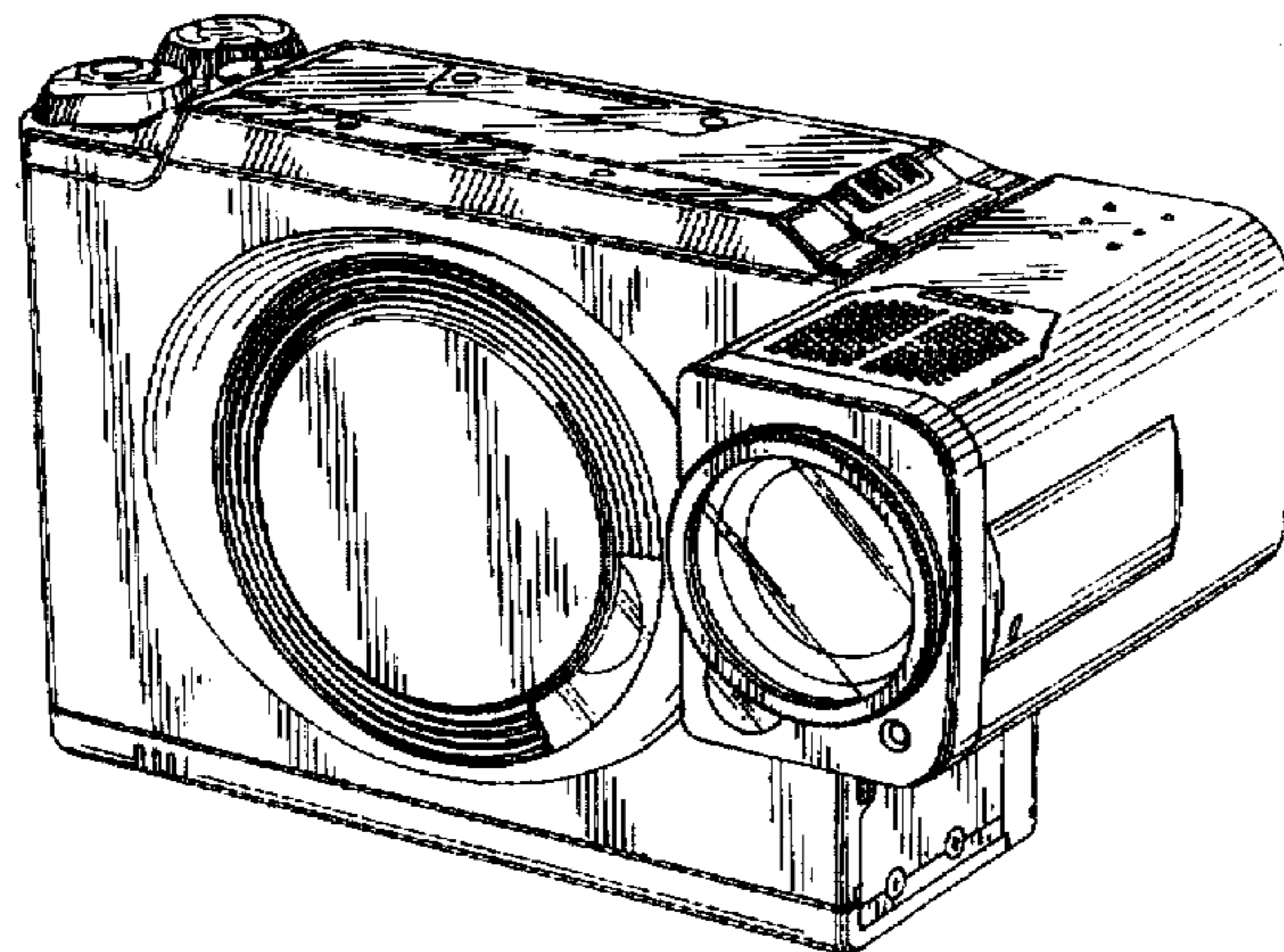


FIG. 1

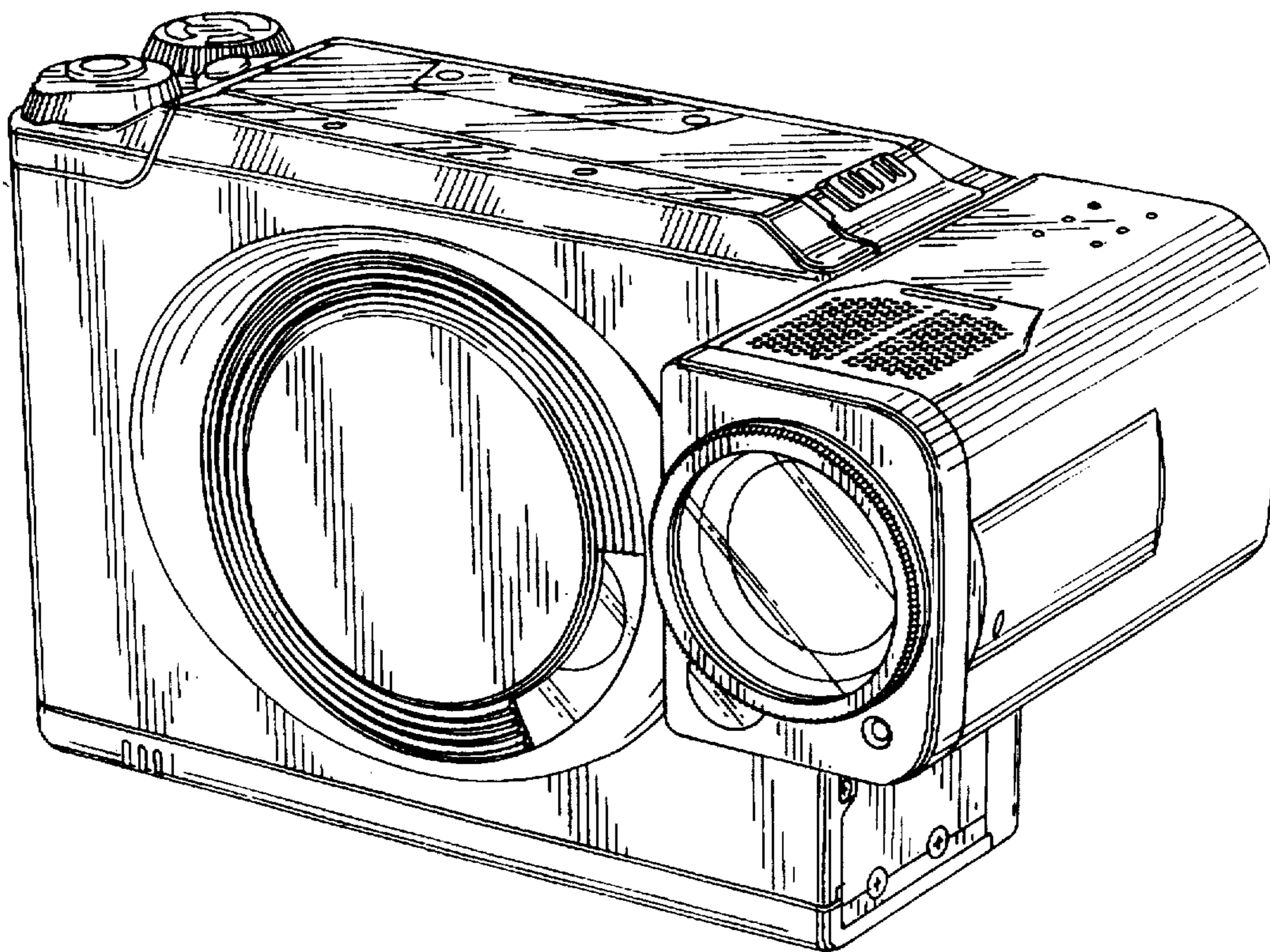


FIG. 2

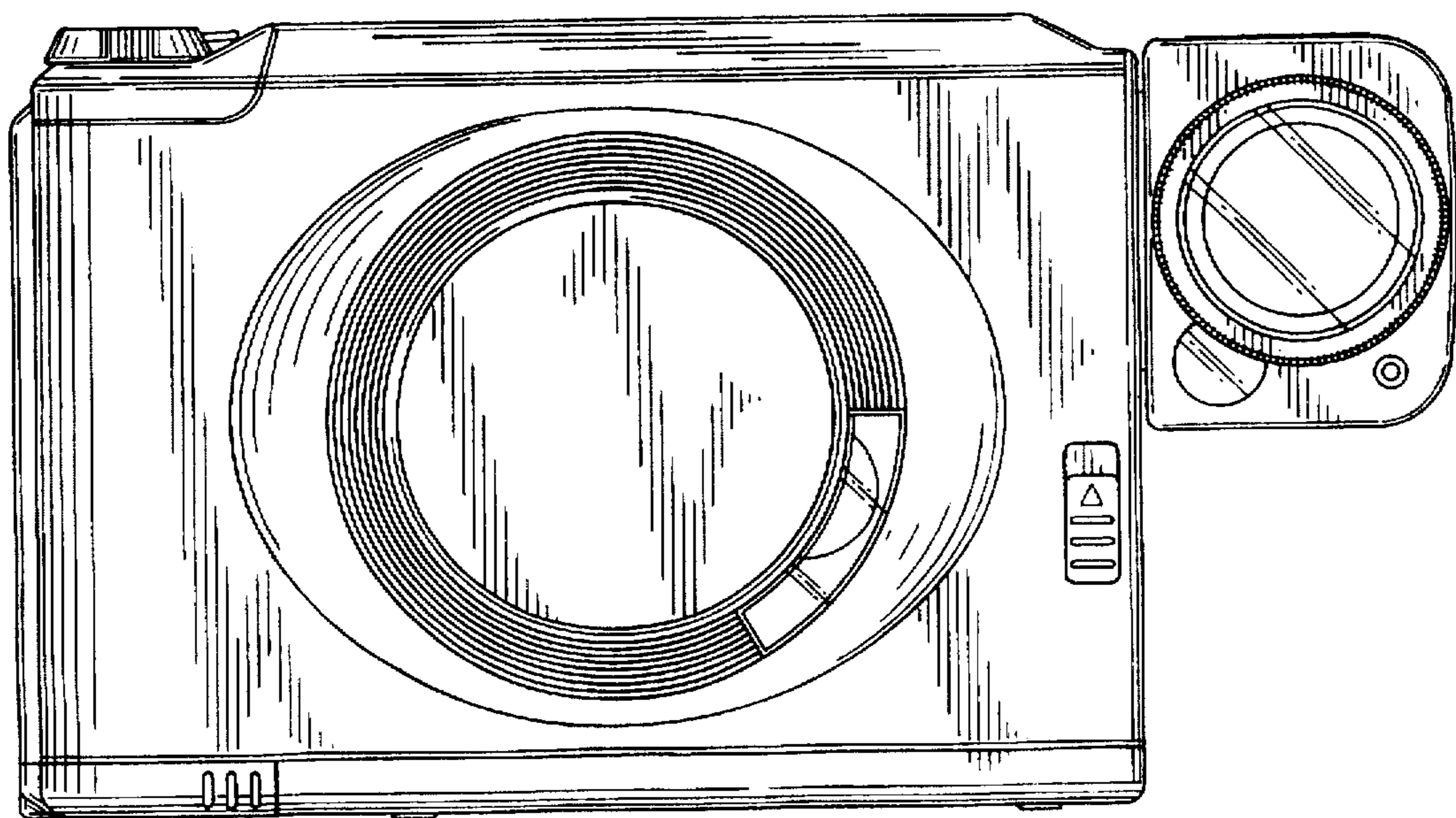


FIG. 3

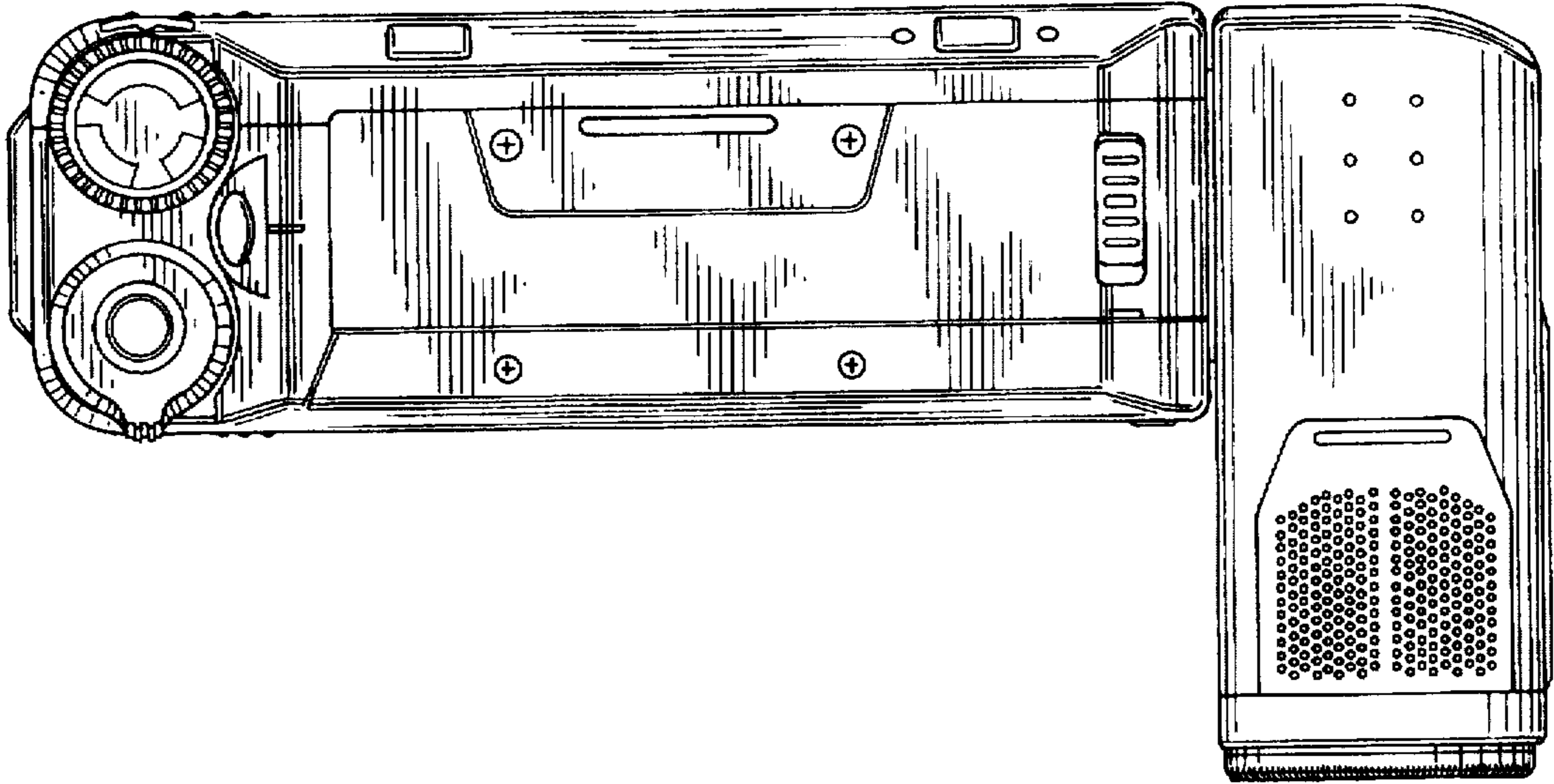


FIG. 4

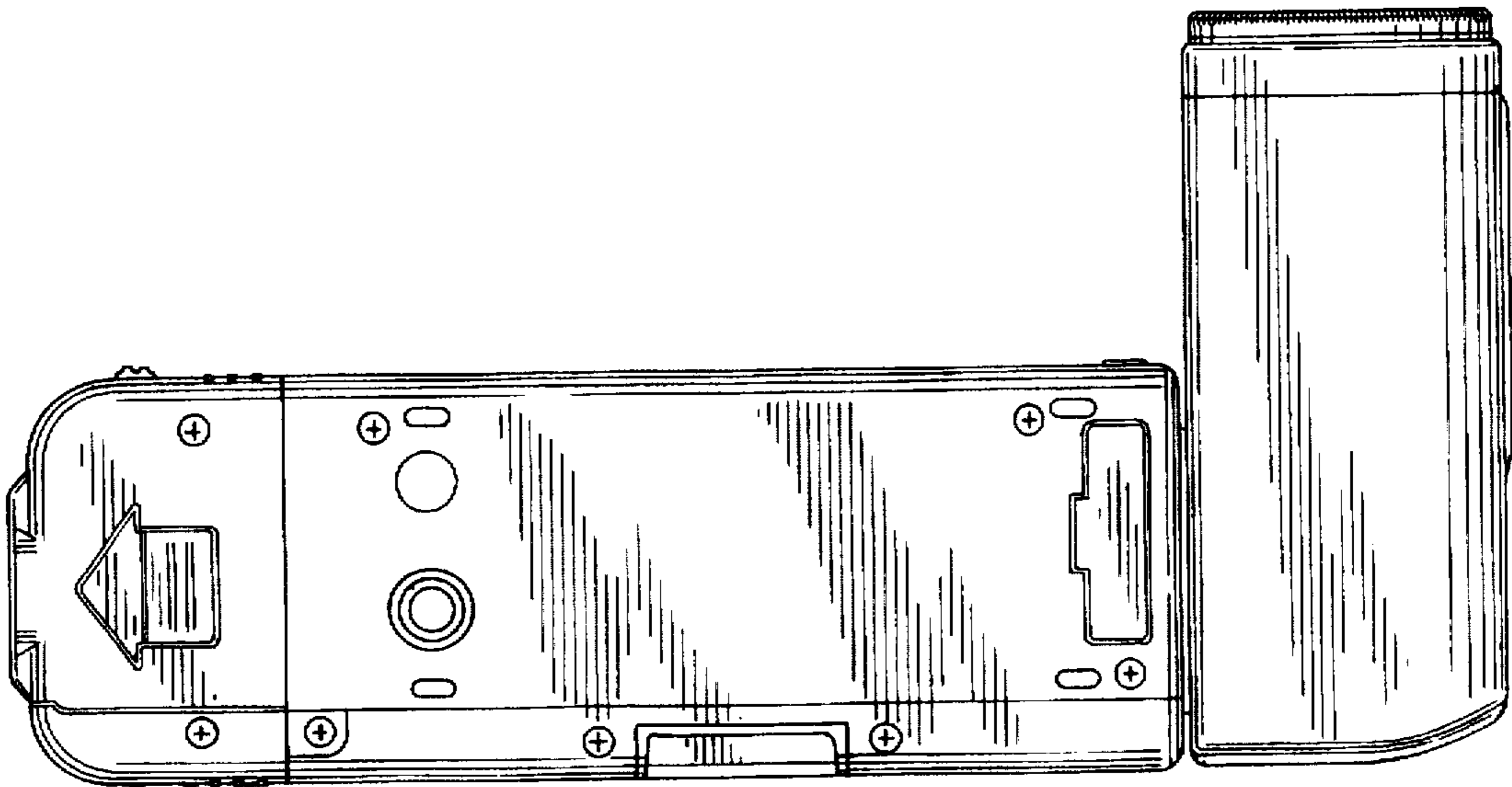


FIG. 5

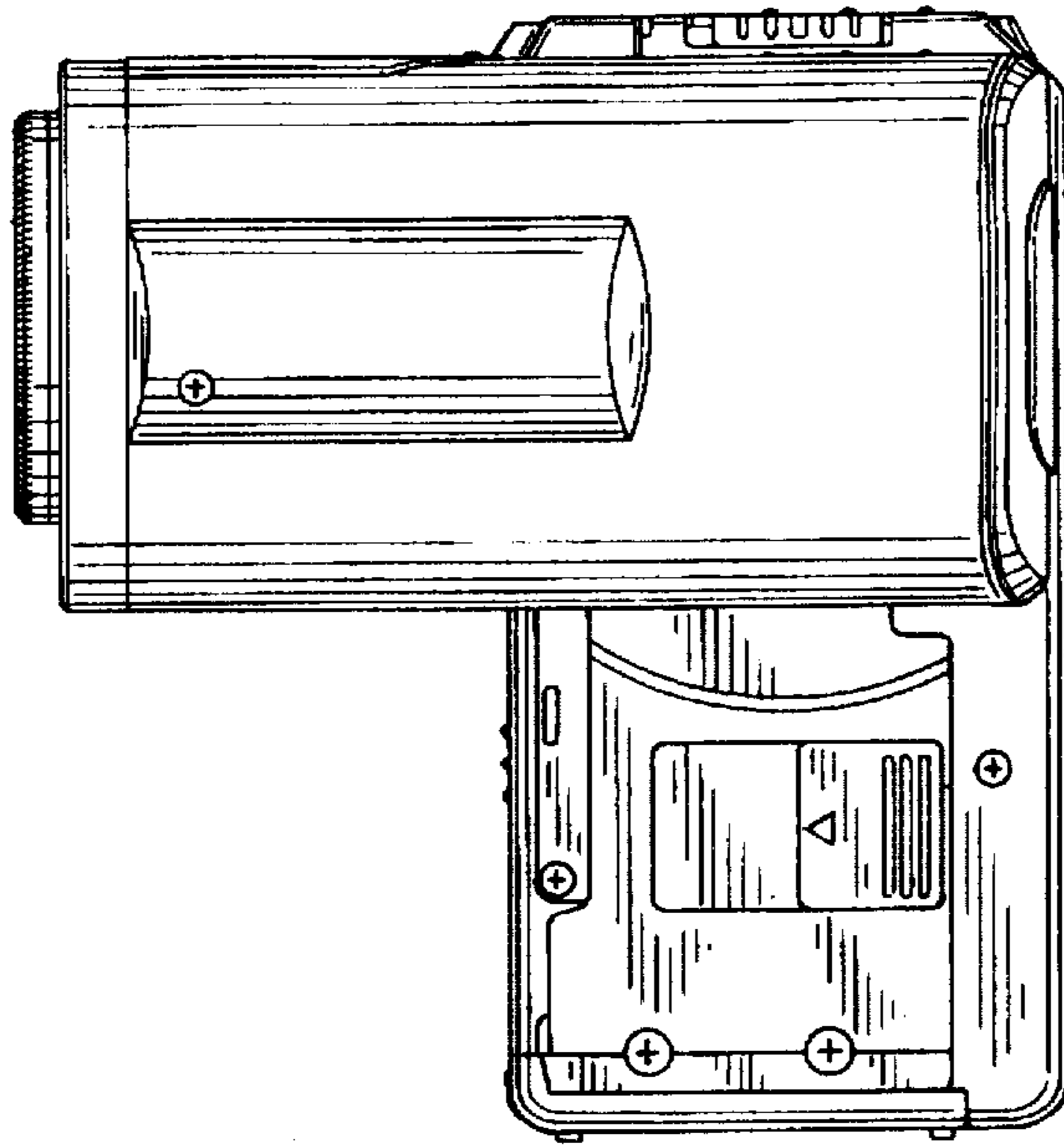


FIG. 6

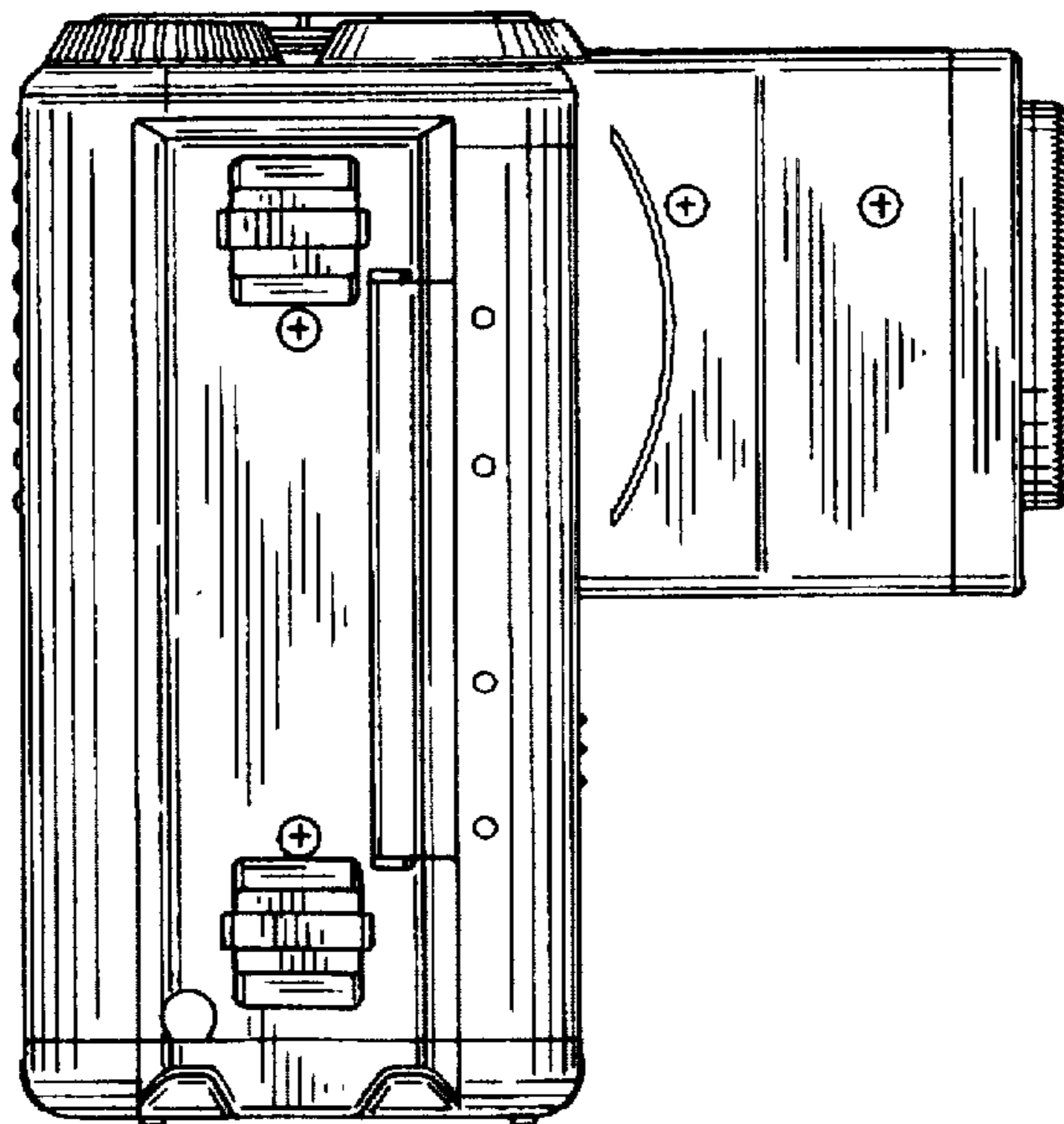


FIG. 7

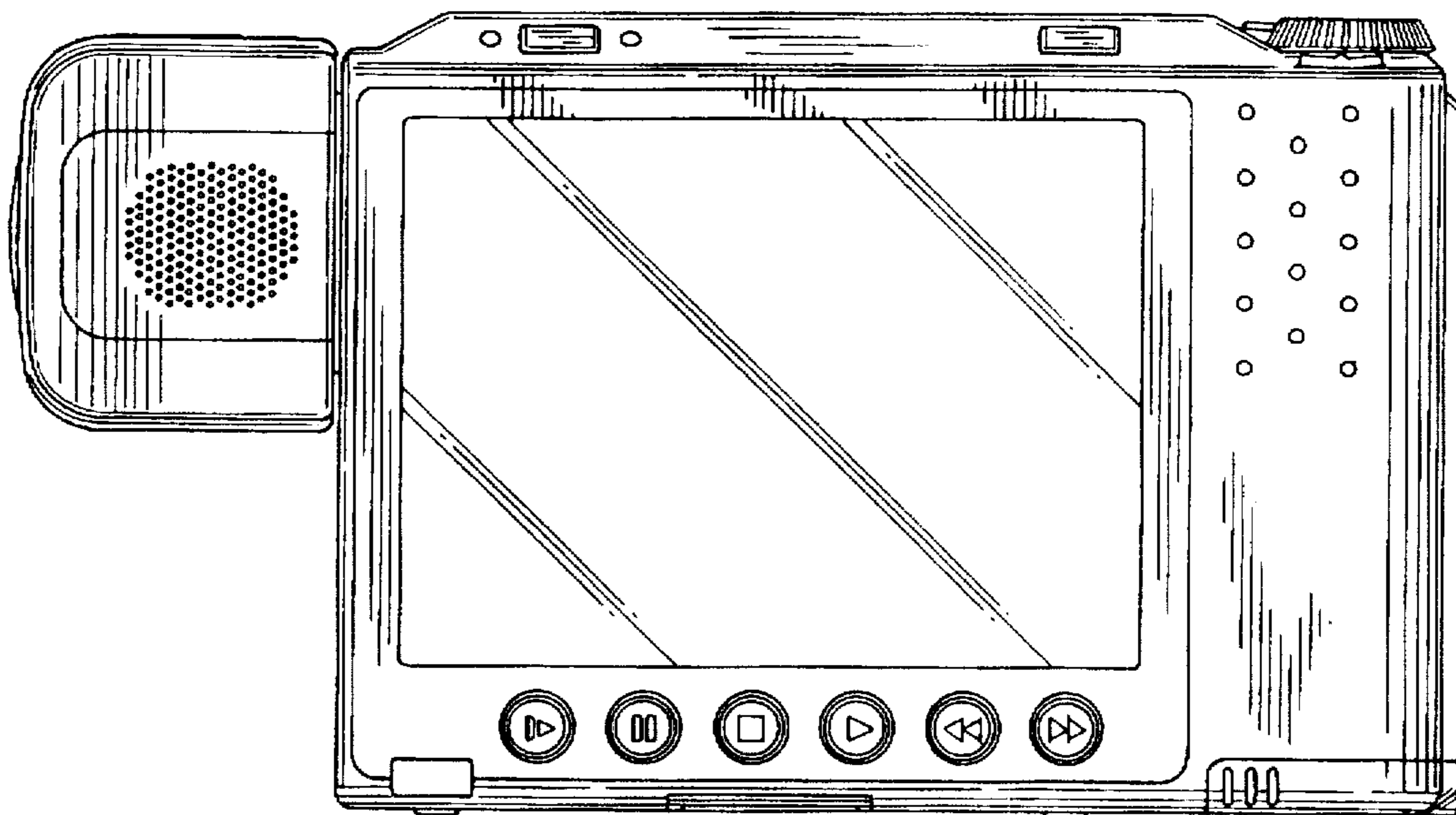


FIG. 8

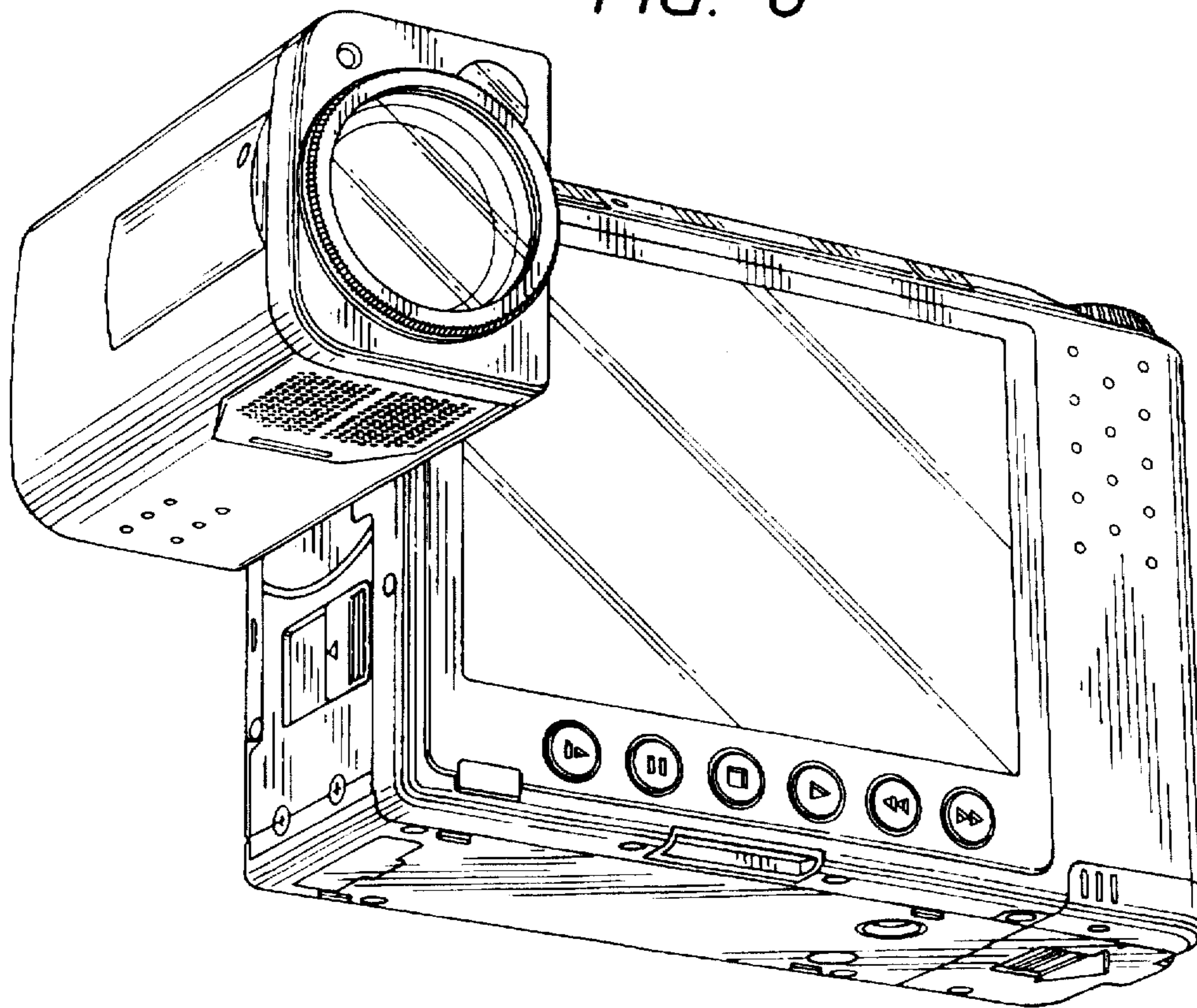


FIG. 9

