



US00D391279S

United States Patent [19]
Ohwada

[11] **Patent Number: Des. 391,279**
[45] **Date of Patent: **Feb. 24, 1998**

[54] **VIDEO CAMERA WITH VIDEO TAPE RECORDER**

[75] **Inventor: Masahito Ohwada, Yokohama, Japan**

[73] **Assignee: Canon Kabushiki Kaisha, Tokyo, Japan**

[*] **Notice:** The portion of the term of this patent subsequent to Nov. 18, 2011, has been disclaimed.

[**] **Term: 14 Years**

[21] **Appl. No.: 59,361**

[22] **Filed: Sep. 9, 1996**

[30] **Foreign Application Priority Data**

Mar. 21, 1996 [JP] Japan 8-7721

[51] **LOC (6) Cl. 16-01**

[52] **U.S. Cl. D16/202**

[58] **Field of Search D16/200-206, D16/208; 348/373-376; 352/242, 243; 358/906; 396/29, 420, 535-543**

[56] **References Cited**

U.S. PATENT DOCUMENTS

D. 362,452 9/1995 Matsumura D16/202

D. 368,922 4/1996 Tanaka D16/202
D. 372,926 8/1996 Matsumura D16/202
D. 374,241 10/1996 Sekine 16/202
5,499,052 3/1996 Nakanishi et al. 358/906

OTHER PUBLICATIONS

Video Magazine, Jan.1993 p. 91 (Yashica KX-V1-H1 8).

Primary Examiner—Philip S. Hyder
Assistant Examiner—Adir Aronovich
Attorney, Agent, or Firm—Fitzpatrick, Cella, Harper & Scinto

[57] **CLAIM**

The ornamental design for a video camera with video tape recorder, as shown and described.

DESCRIPTION

FIG. 1 is a front view of a video camera with video tape recorder showing my new design.
FIG. 2 is a rear view thereof;
FIG. 3 is a top plan view thereof;
FIG. 4 is a bottom plan view thereof;
FIG. 5 is a left side view thereof;
FIG. 6 is a right side view thereof; and
FIG. 7 is a perspective view thereof.

1 Claim, 3 Drawing Sheets

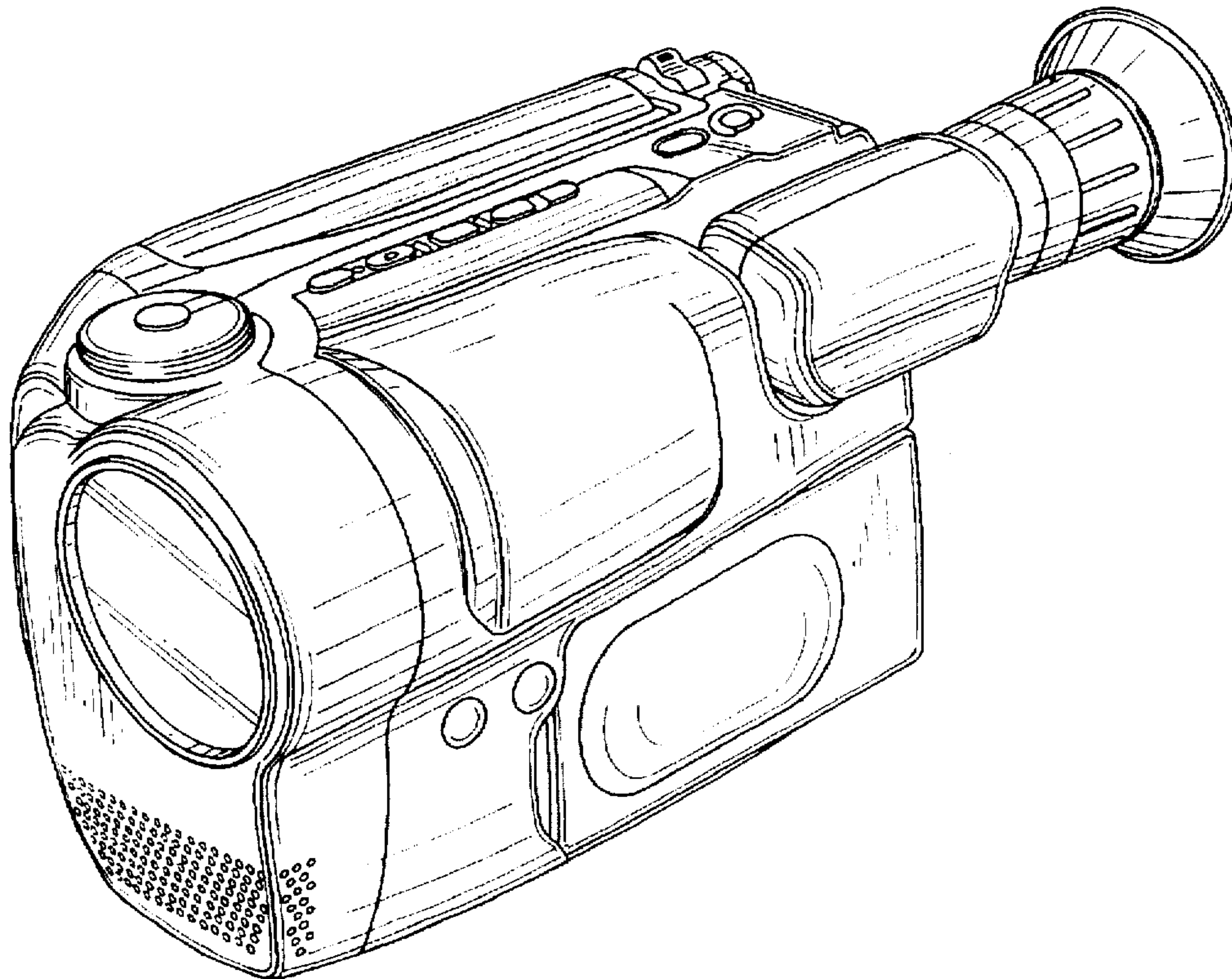


FIG. 1

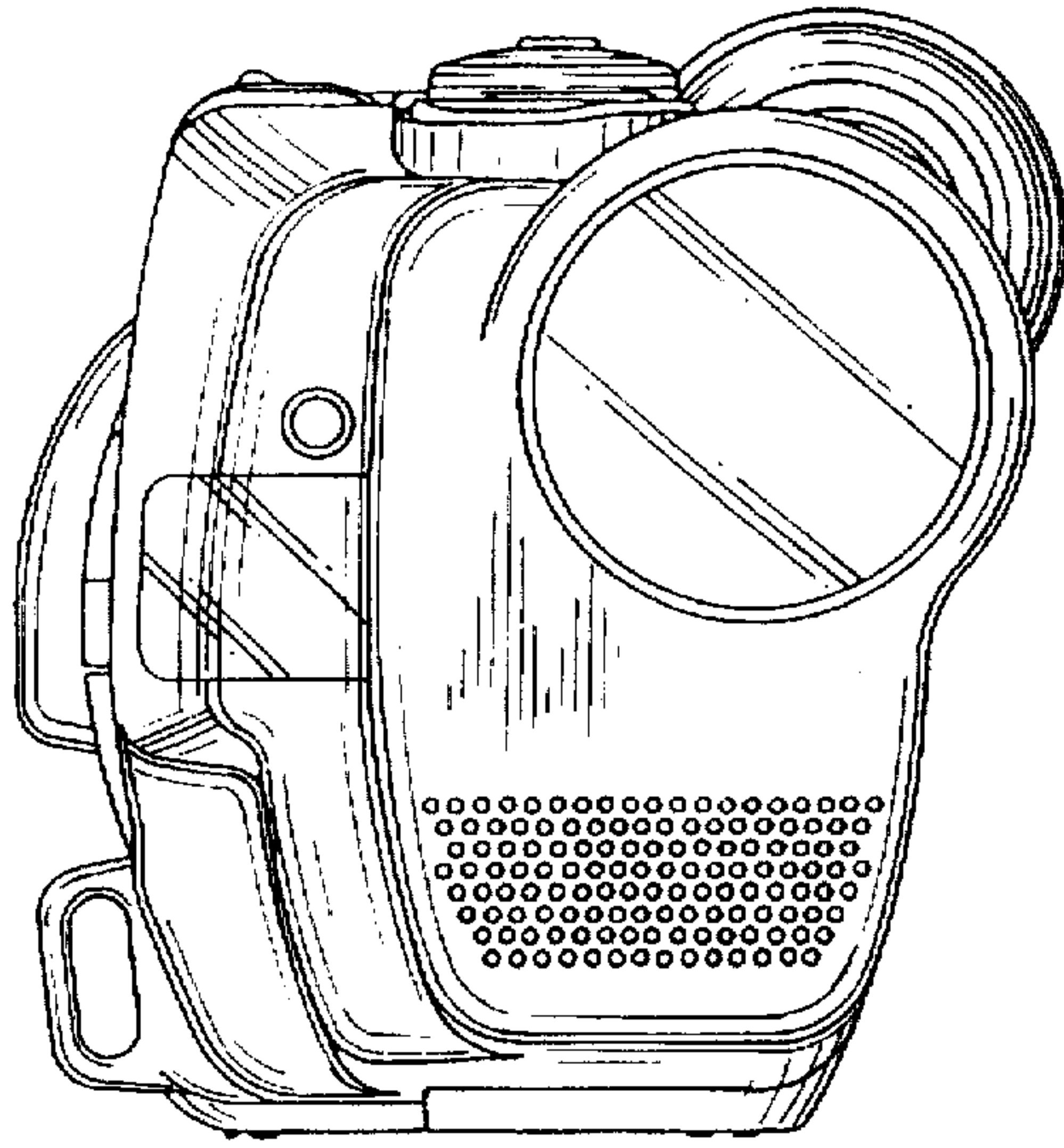


FIG. 2

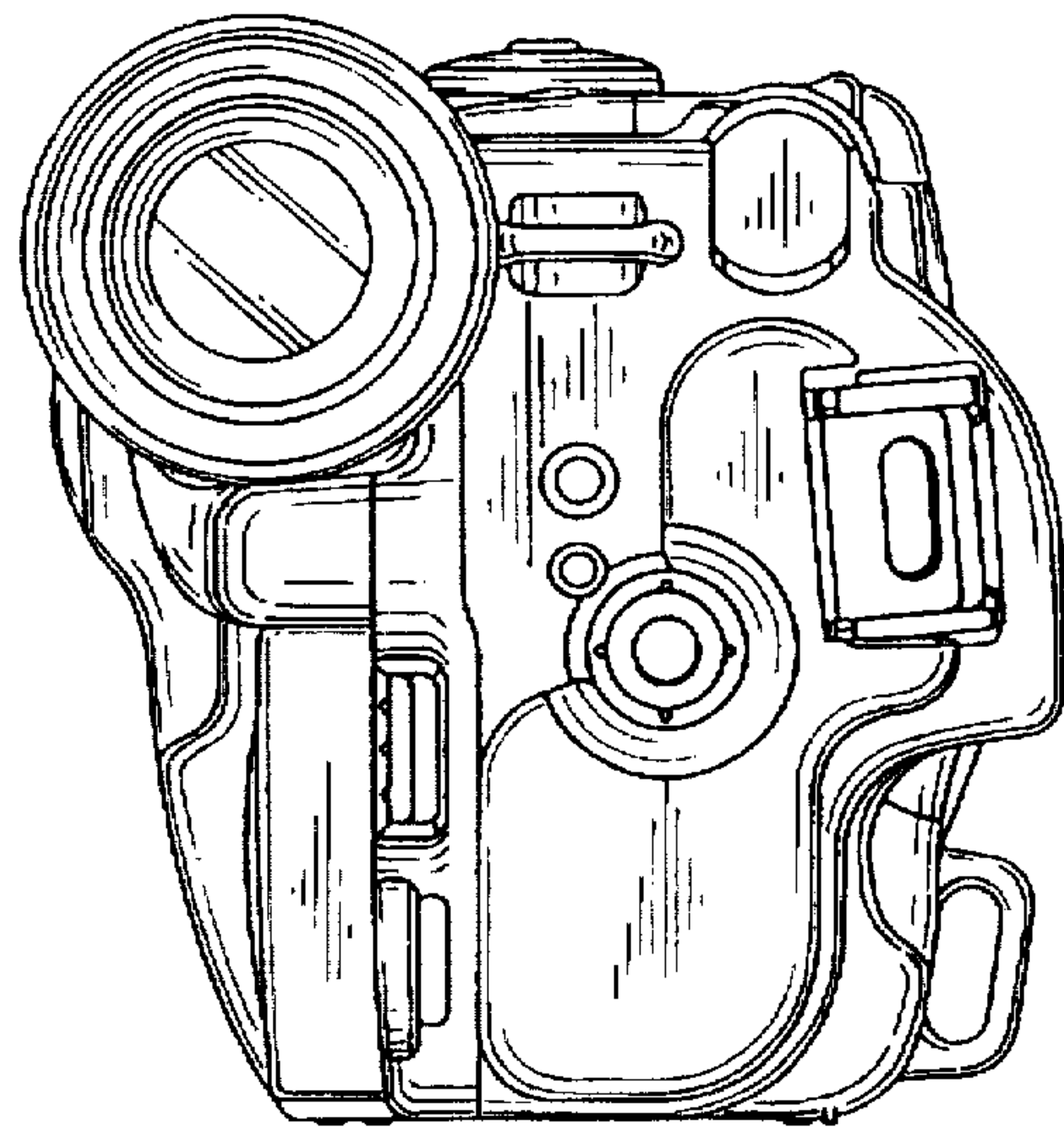


FIG. 3

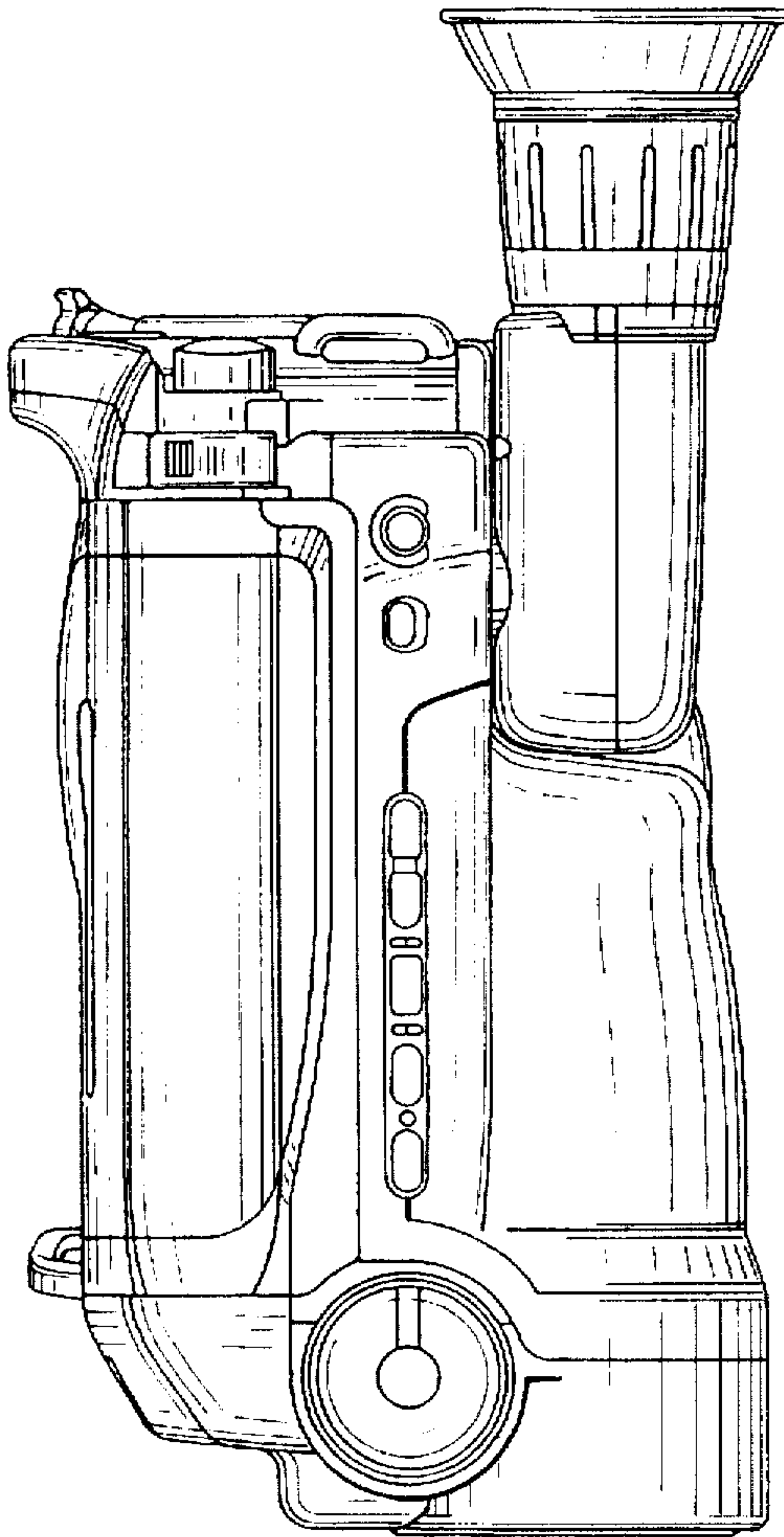


FIG. 4

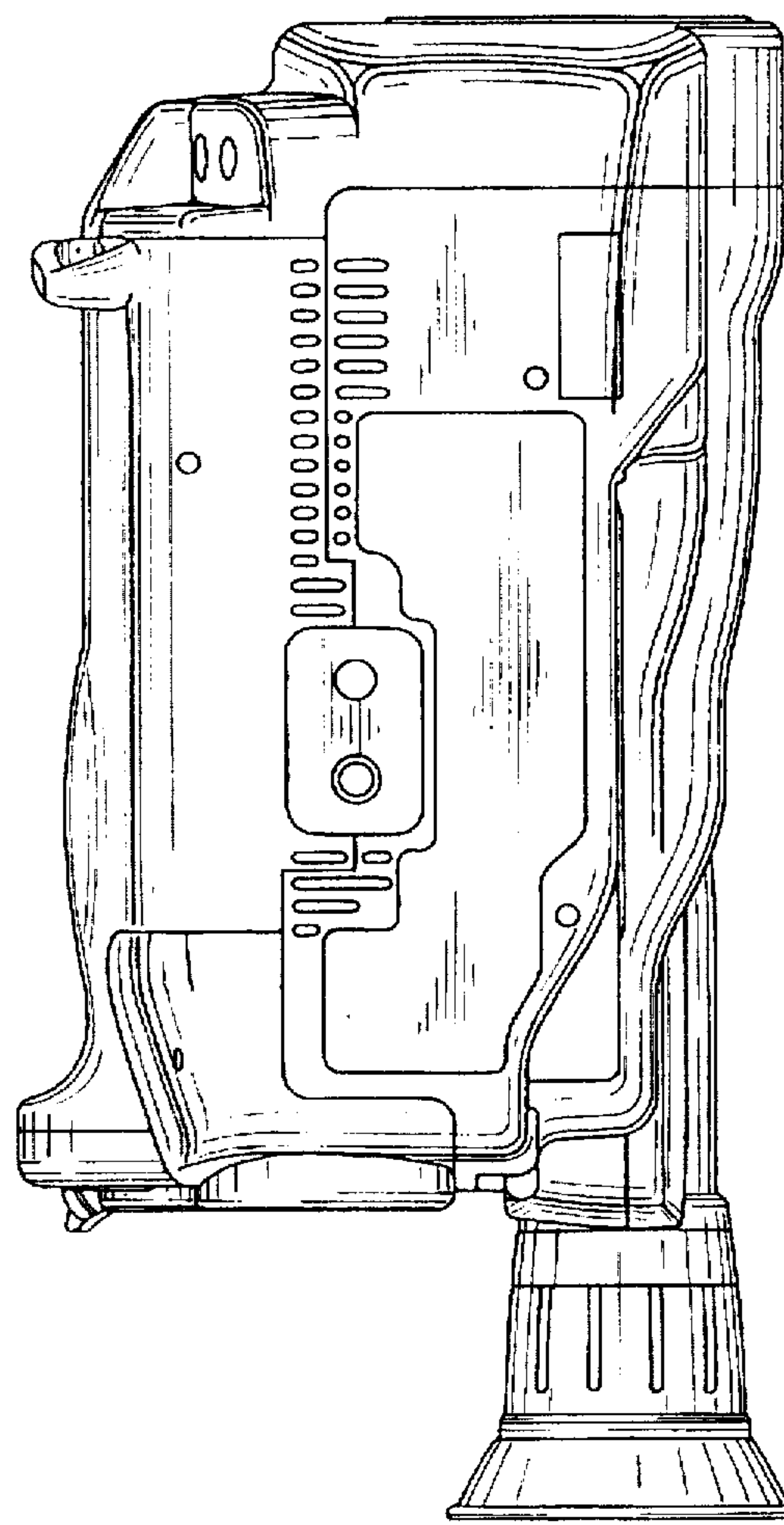


FIG. 5

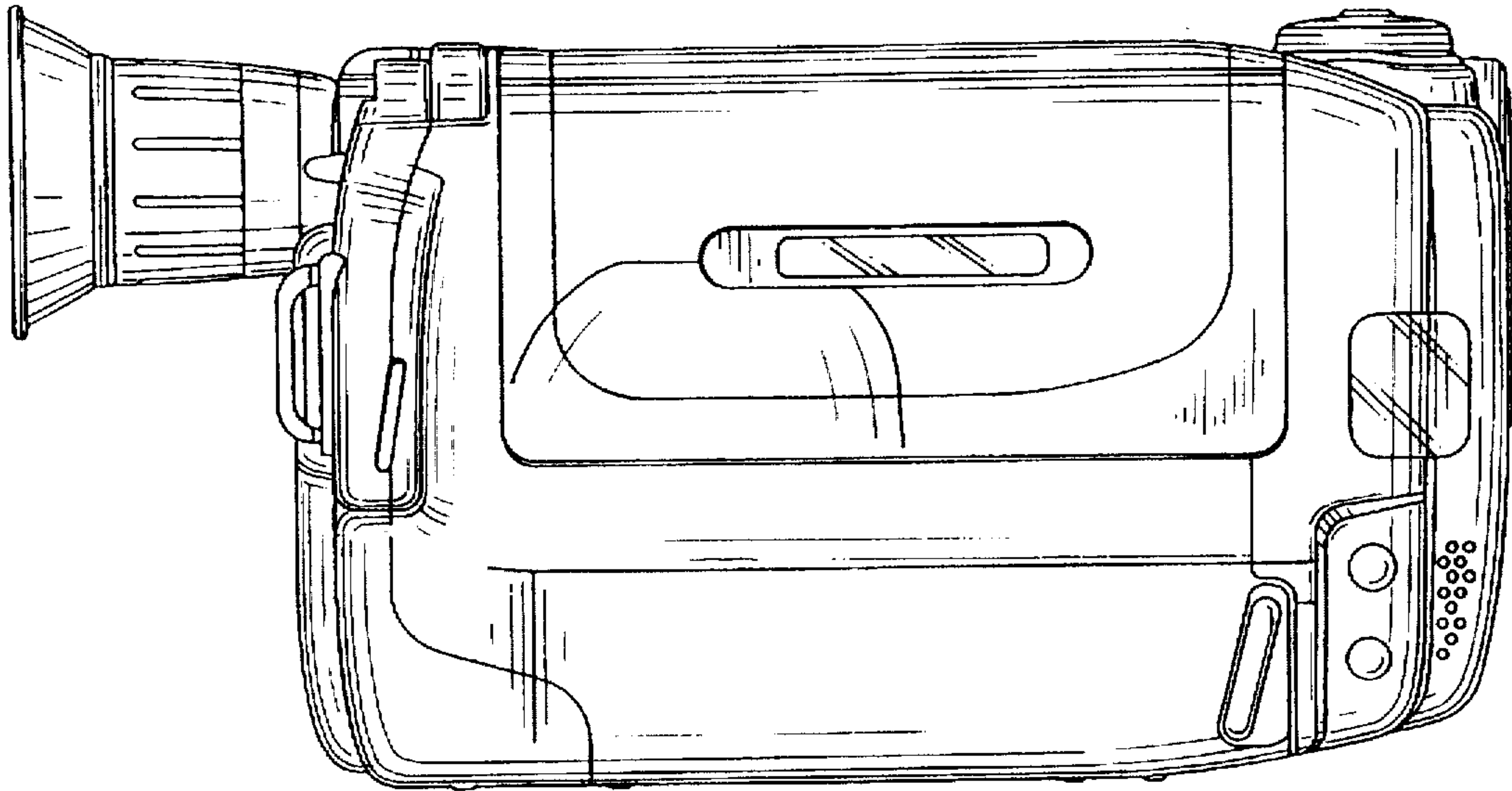


FIG. 6

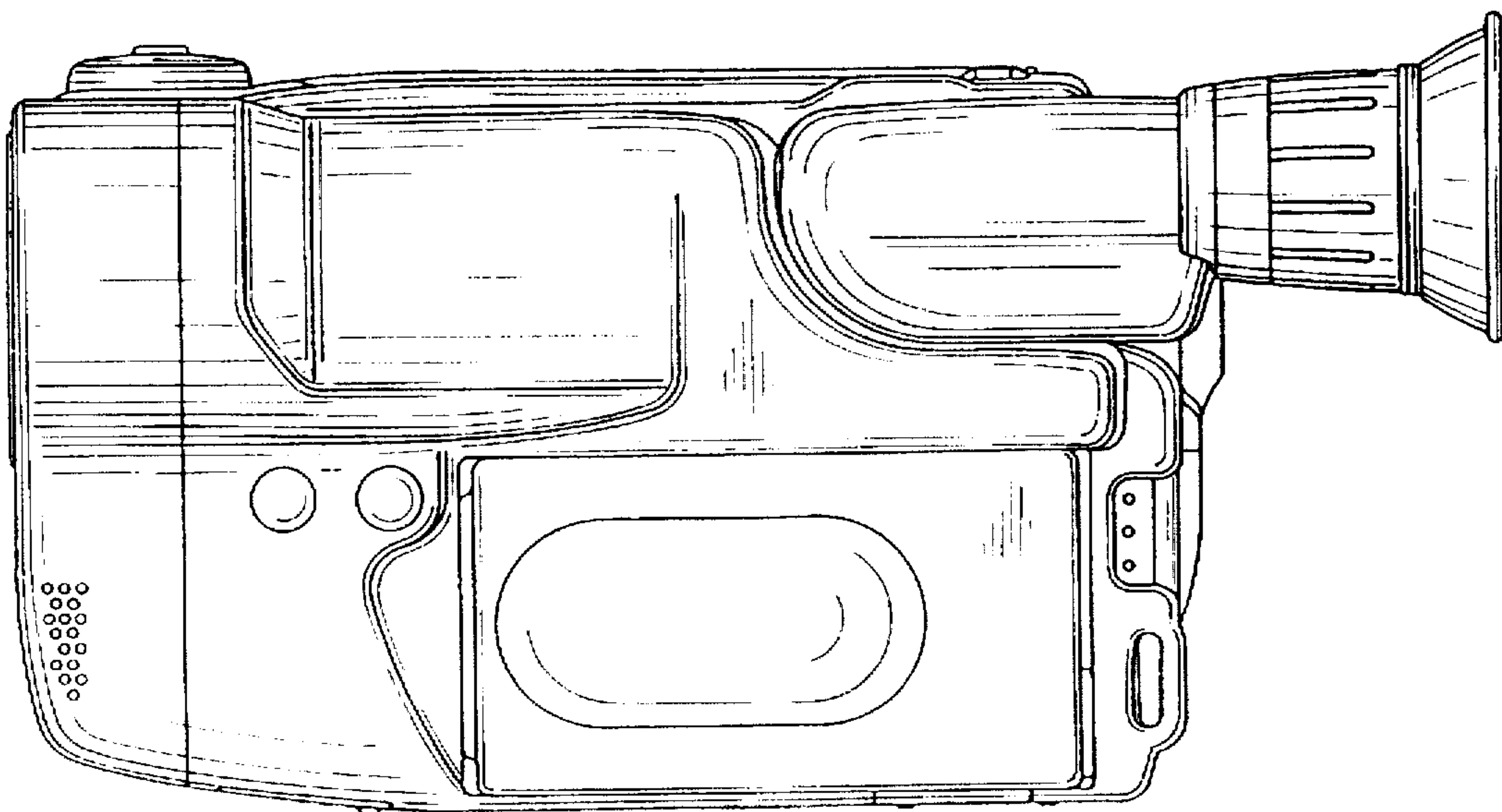


FIG. 7

