



US00D391278S

United States Patent [19]

Kung

[11] Patent Number: **Des. 391,278**

[45] Date of Patent: ****Feb. 24, 1998**

[54] PERISCOPE

[76] Inventor: **Su-Min Kung**, 8F, No. 276-2, Sec. 1,
Tai-Tung Road, Hsichih, Taiwan

[**] Term: **14 Years**

[21] Appl. No.: **69,483**

[22] Filed: **Apr. 21, 1997**

[51] LOC (6) Cl. **16-06**

[52] U.S. Cl. **D16/132; D16/130**

[58] Field of Search D16/130, 131,
D16/132, 133, 134, 135; D21/59, 199,
236, 237; 446/219, 153; 359/402, 403,
405, 406, 429, 503, 872

[56] **References Cited**

U.S. PATENT DOCUMENTS

D. 272,924	3/1984	Sabler	D16/130	X
D. 276,816	12/1984	Merrill	D16/130	X
778,694	12/1904	Mustin	359/402	
1,309,478	7/1919	Jenkins	359/403	
2,512,792	6/1950	Delaney	359/402	

3,456,999	7/1969	Hopp	359/402	
3,664,747	5/1972	Ritchie	359/403	X
4,887,893	12/1989	Dahlgren	359/402	X
5,469,236	11/1995	Roessel	359/402	X
5,526,177	6/1996	Fantone	359/402	

Primary Examiner—Paula A. Mortimer
Attorney, Agent, or Firm—Meltzer, Lippe, Goldstein, et al.

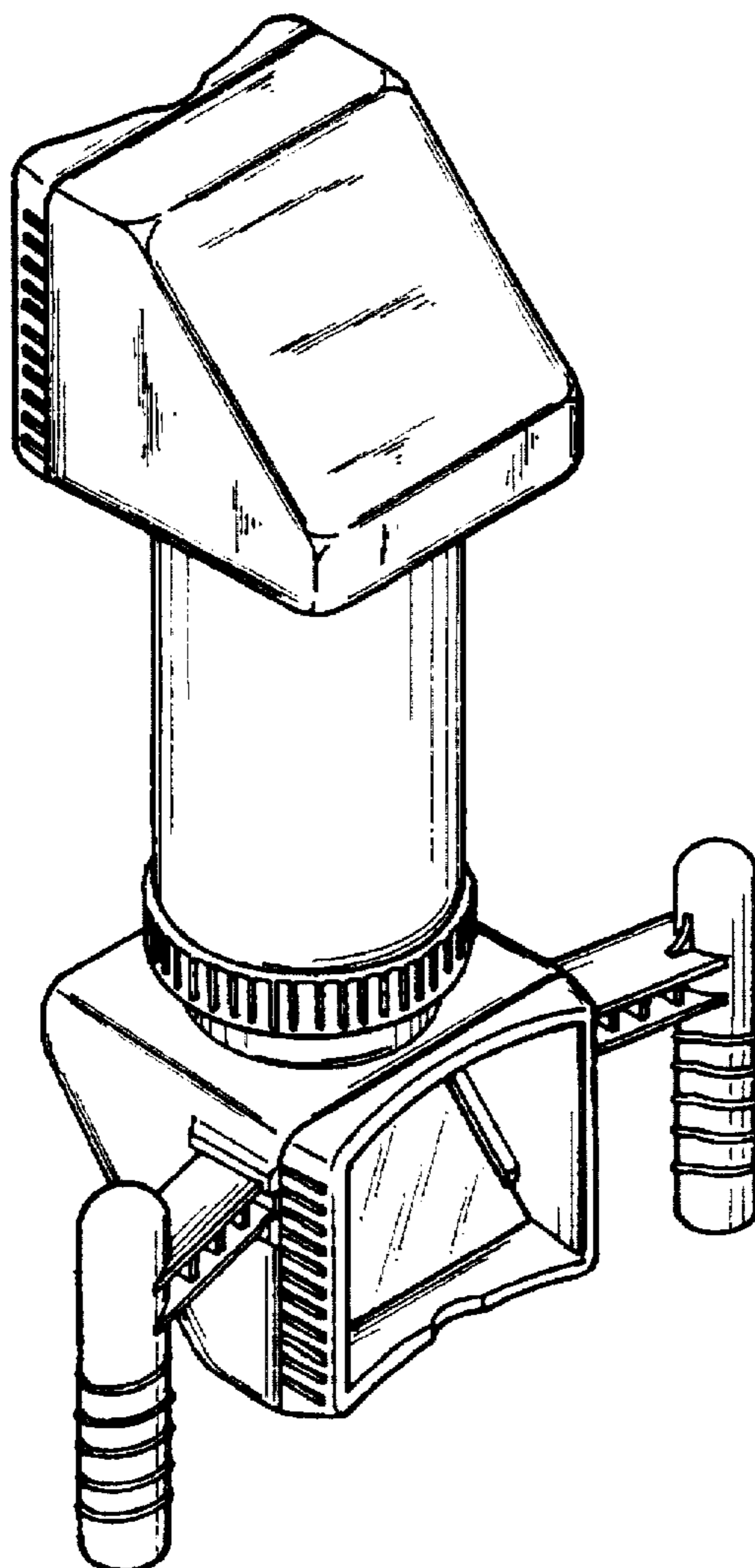
[57] **CLAIM**

The ornamental design for periscope, as shown and described.

DESCRIPTION

FIG. 1 is a perspective view of periscope showing my new design;
FIG. 2 is a front elevational view thereof;
FIG. 3 is a rear elevational view thereof;
FIG. 4 is a left side elevational view thereof;
FIG. 5 is a right side elevational view thereof;
FIG. 6 is a top view thereof;
FIG. 7 is a bottom view thereof; and,
FIG. 8 is a perspective view showing operation of periscope.

1 Claim, 7 Drawing Sheets



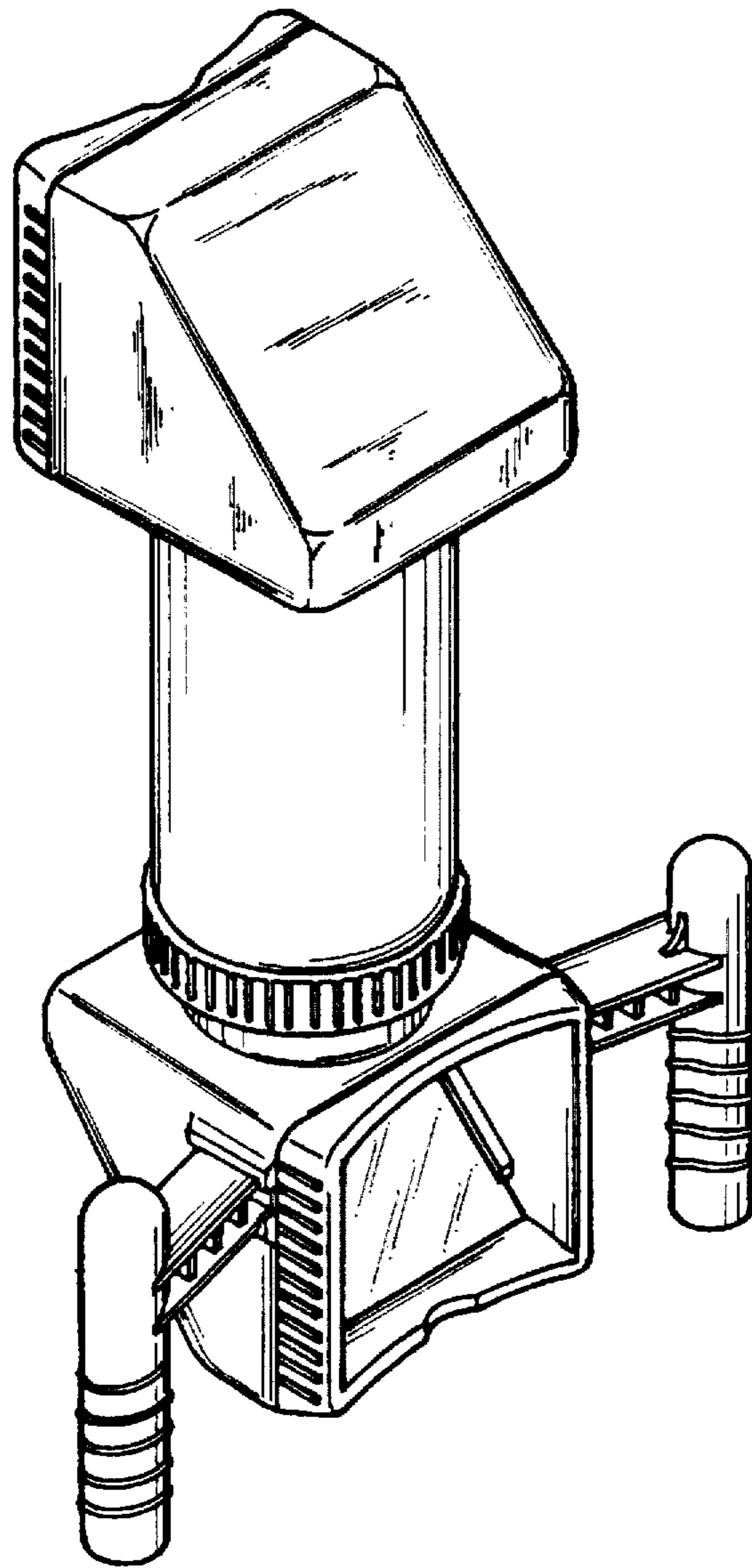


FIG. 1

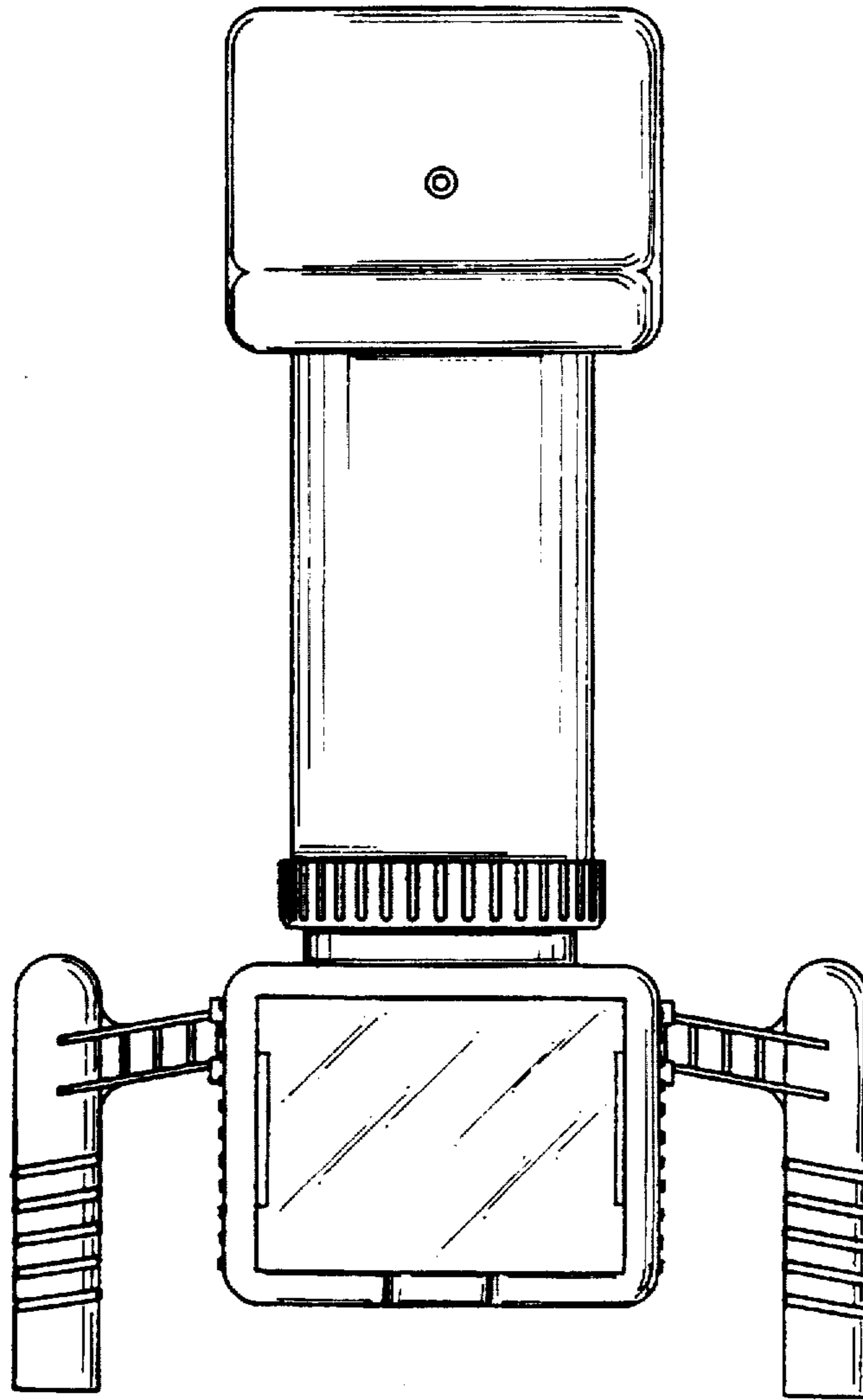


FIG.2

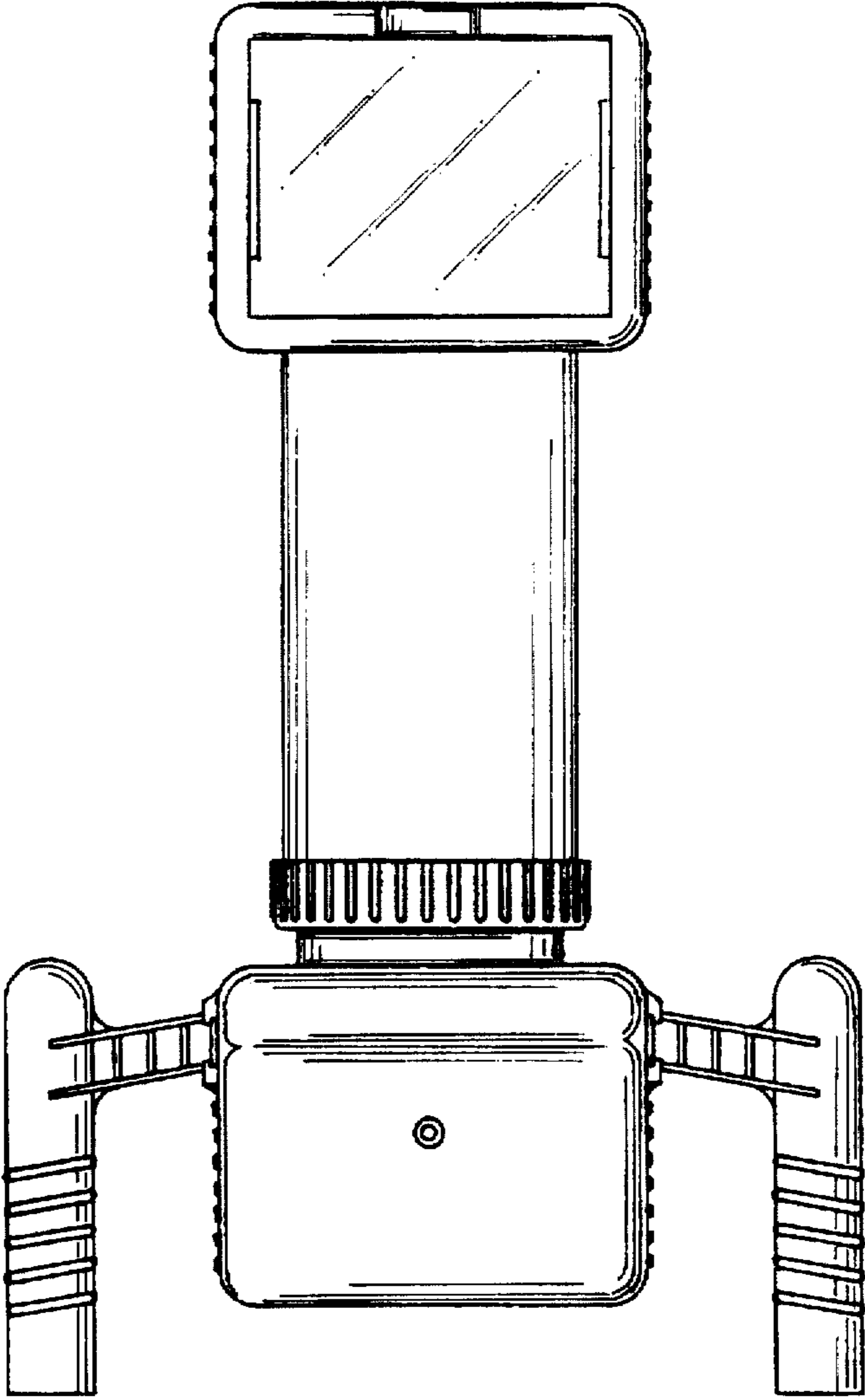


FIG. 3

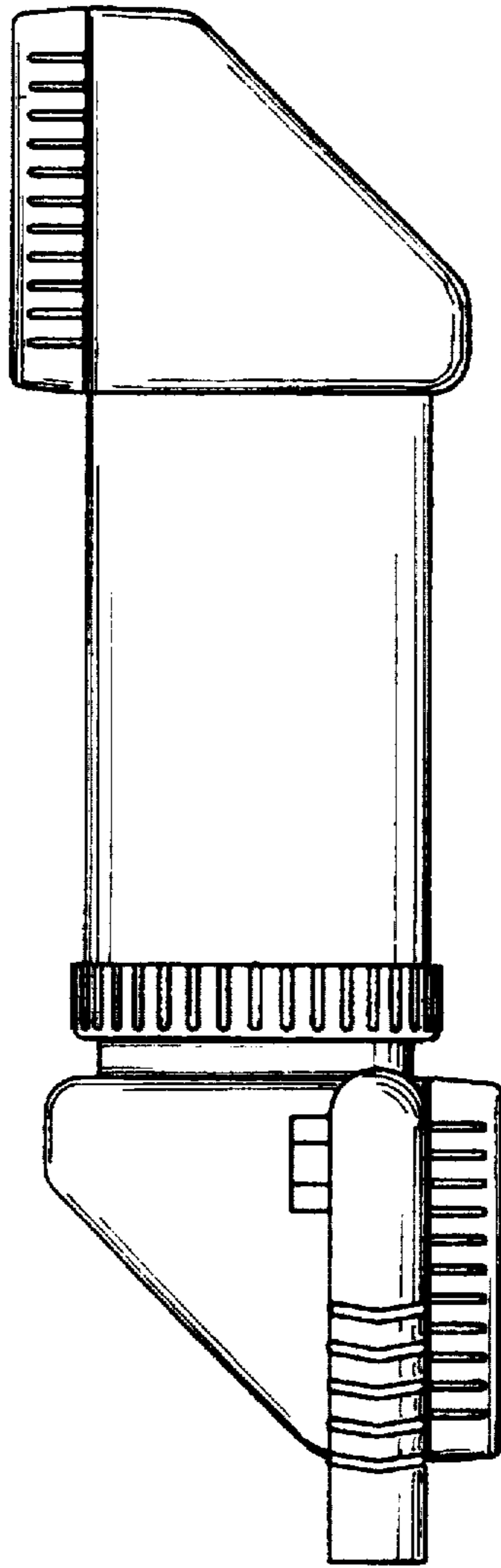


FIG. 4

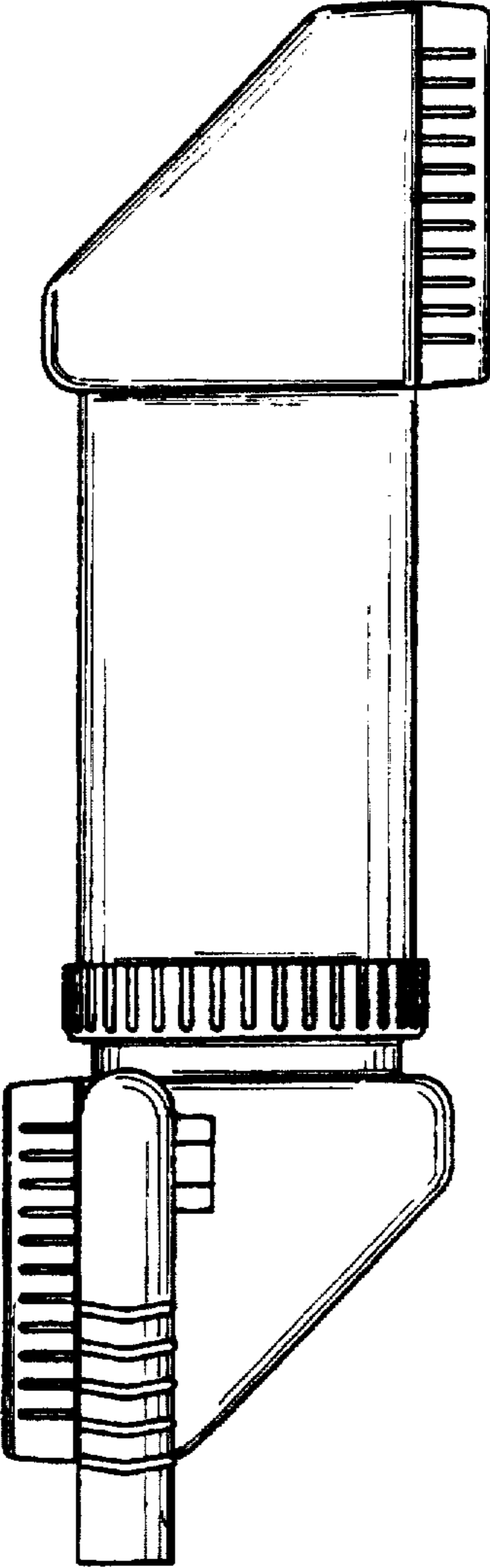


FIG. 5

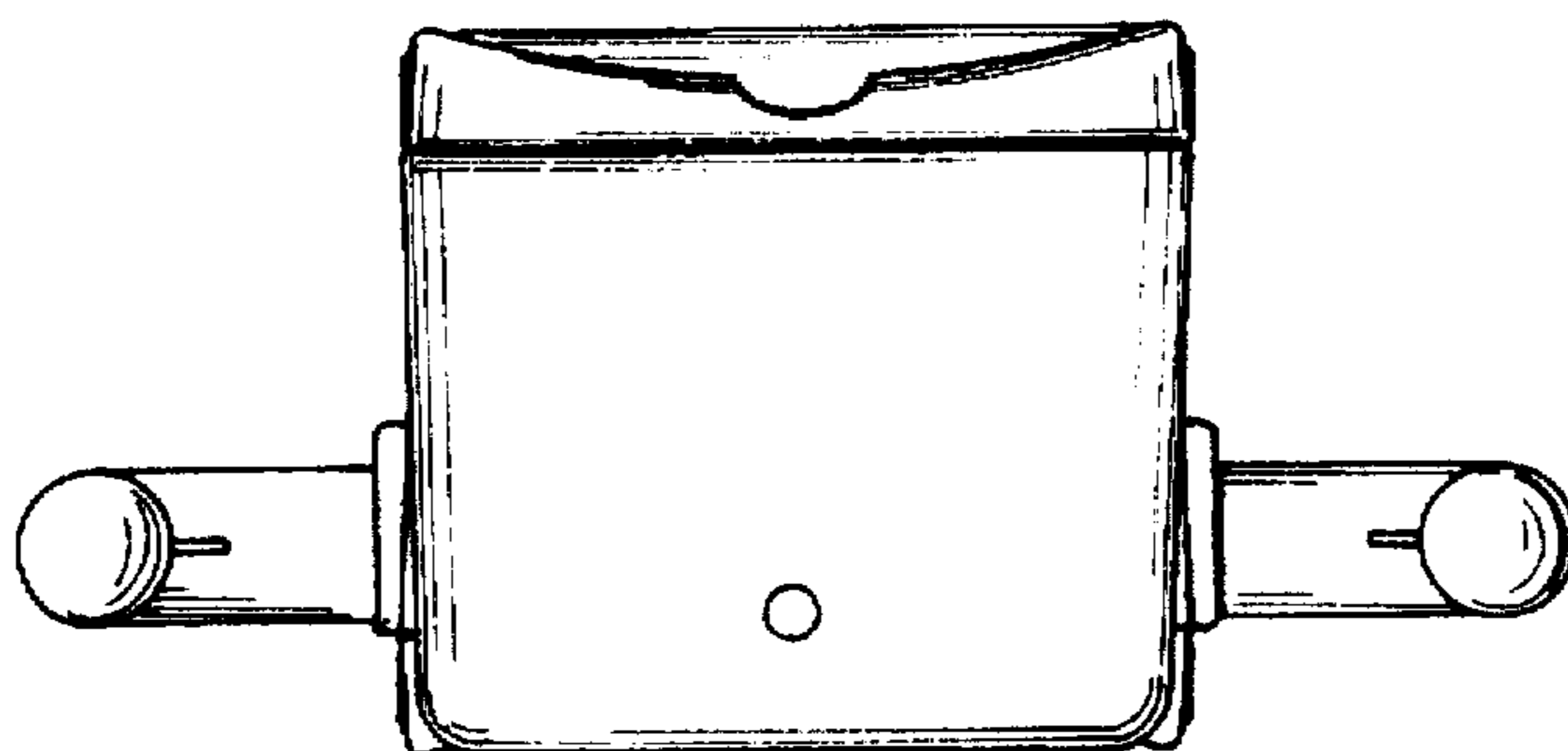


FIG. 6

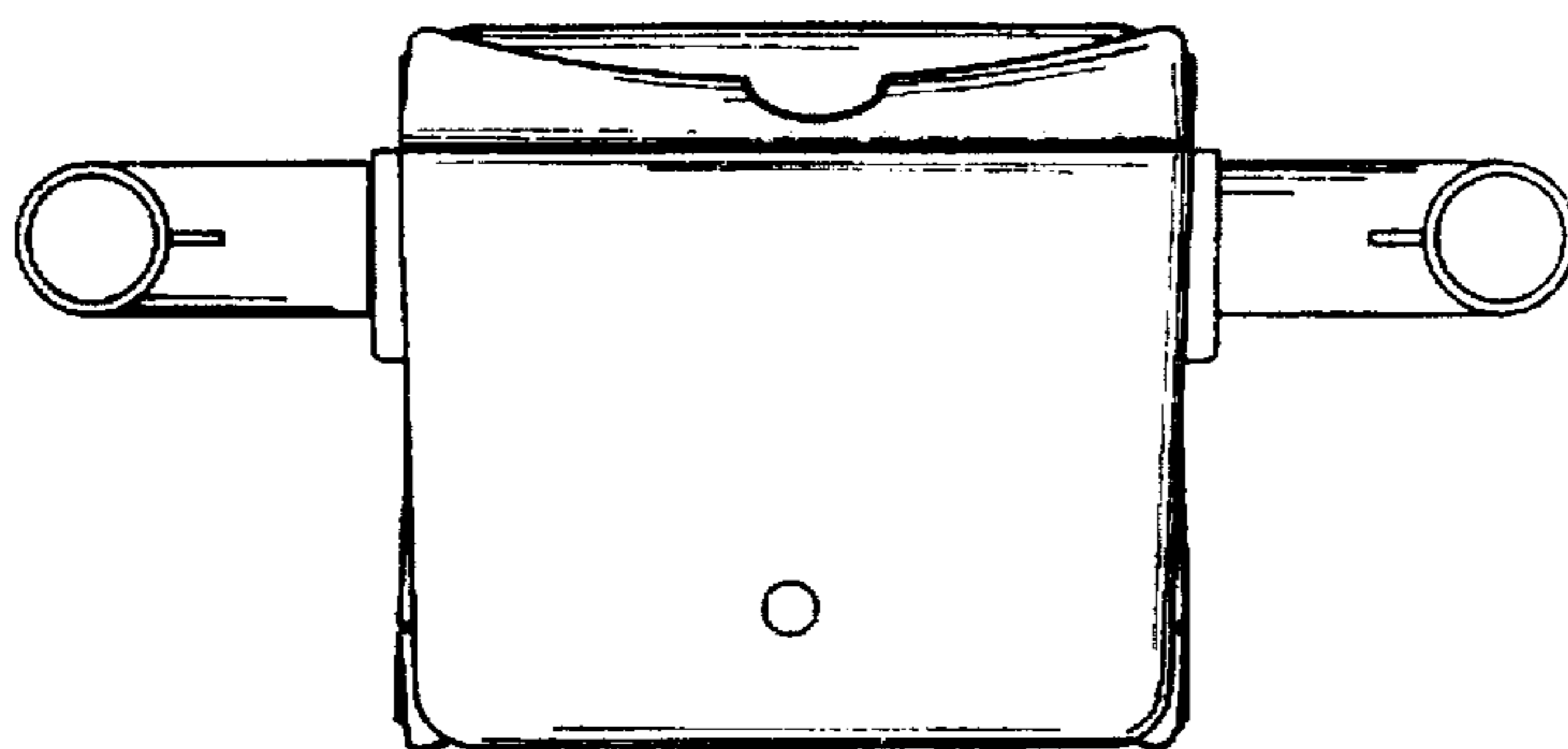


FIG. 7

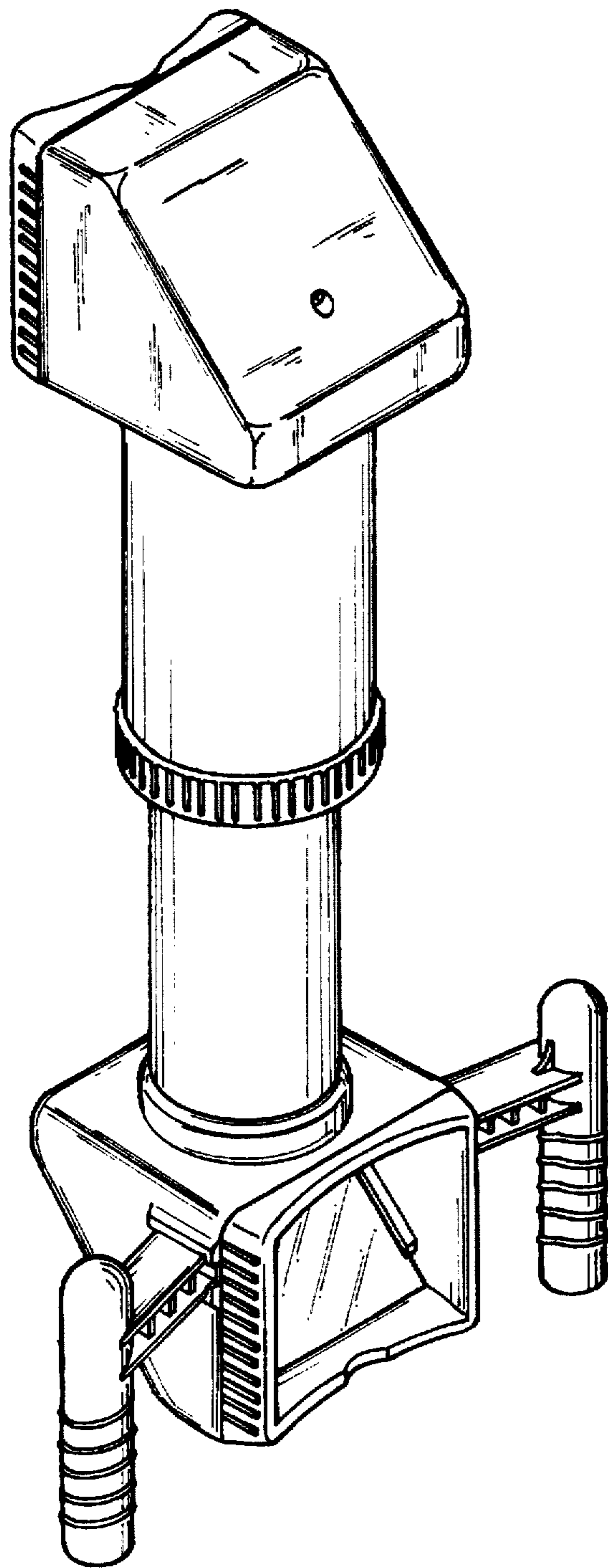


FIG. 8