



US00D391277S

# United States Patent [19]

Yamada

[11] Patent Number: **Des. 391,277**

[45] Date of Patent: **\*\*Feb. 24, 1998**

## [54] DOUBLE LENS MICROSCOPE

[75] Inventor: **Toshikatsu Yamada**, Tokyo-to, Japan

[73] Assignee: **Kohgaku Giken Kabushiki Kaisha**,  
Tokyo, Japan

[\*\*] Term: **14 Years**

[21] Appl. No.: **48,548**

[22] Filed: **Jan. 3, 1996**

[51] LOC (6) Cl. .... **16-06**

[52] U.S. Cl. .... **D16/131**

[58] Field of Search ..... D16/130-131,  
D16/134-135; 359/385, 376-378, 390,  
801, 368, 381, 388, 393

## [56] References Cited

### U.S. PATENT DOCUMENTS

|            |        |             |       |           |
|------------|--------|-------------|-------|-----------|
| D. 345,746 | 4/1994 | Holbl       | ..... | D16/131   |
| D. 345,747 | 4/1994 | Holbl       | ..... | D16/131   |
| D. 355,430 | 2/1995 | Hofmann-Igl | ..... | D16/131   |
| 3,328,109  | 6/1967 | Seedhouse   | ..... | 359/393 X |
| 3,734,593  | 5/1973 | Mori        | ..... | 359/393 X |

## OTHER PUBLICATIONS

Bausch & Lomb Academic Microscopes, 1980, p. 7, See Academic SSM 15 Stereo Microscope.

*Primary Examiner*—B. J. Bullock  
*Assistant Examiner*—Stacia Sinuik  
*Attorney, Agent, or Firm*—Juettner Pyle Lloyd & Piontek

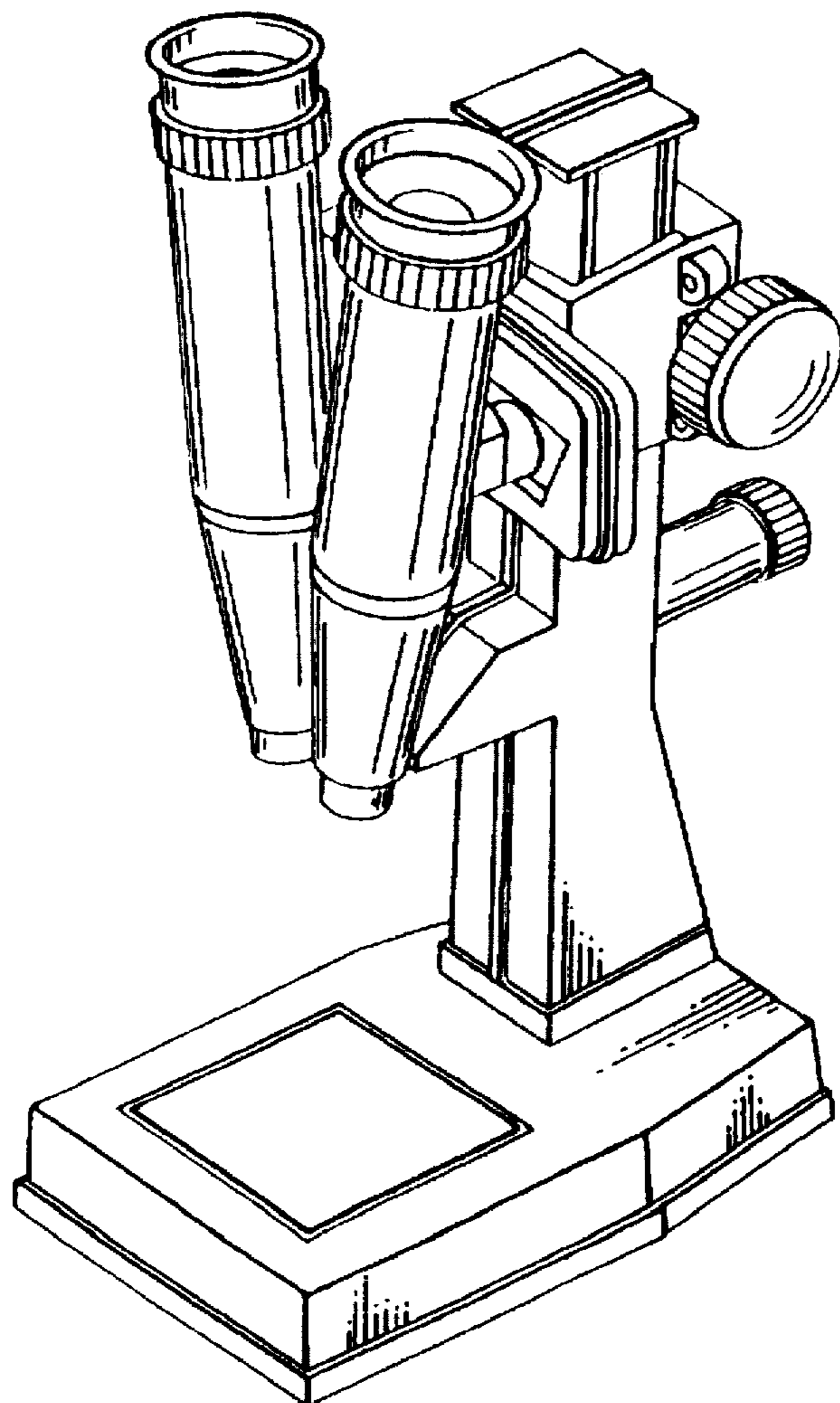
## [57] CLAIM

The ornamental design for a double lens microscope, as shown.

## DESCRIPTION

FIG. 1 is a front elevational view of the double lens microscope of the present invention; FIG. 2 is a rear elevational view thereof; FIG. 3 is a side elevational view thereof; FIG. 4 is a top plan view thereof; FIG. 5 is a bottom view thereof; FIG. 6 is a front perspective view thereof; and, FIG. 7 is a rear perspective view thereof.

**1 Claim, 6 Drawing Sheets**



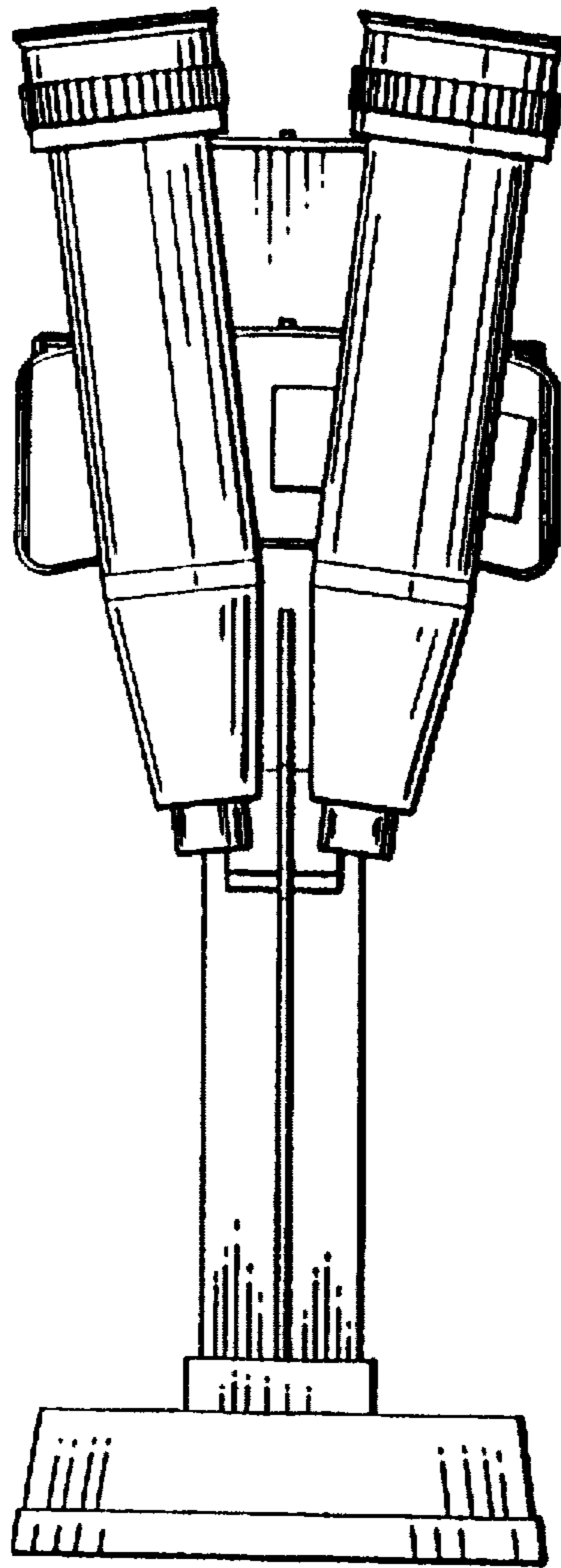


FIG . 1

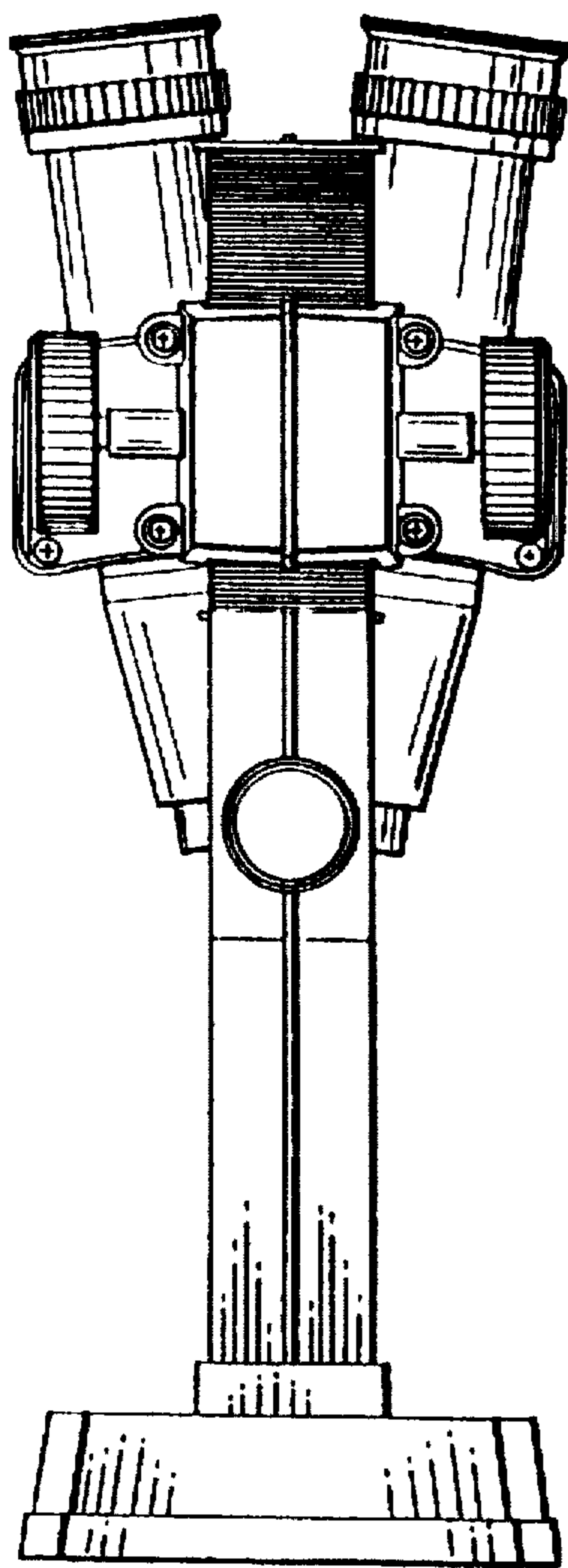


FIG. 2

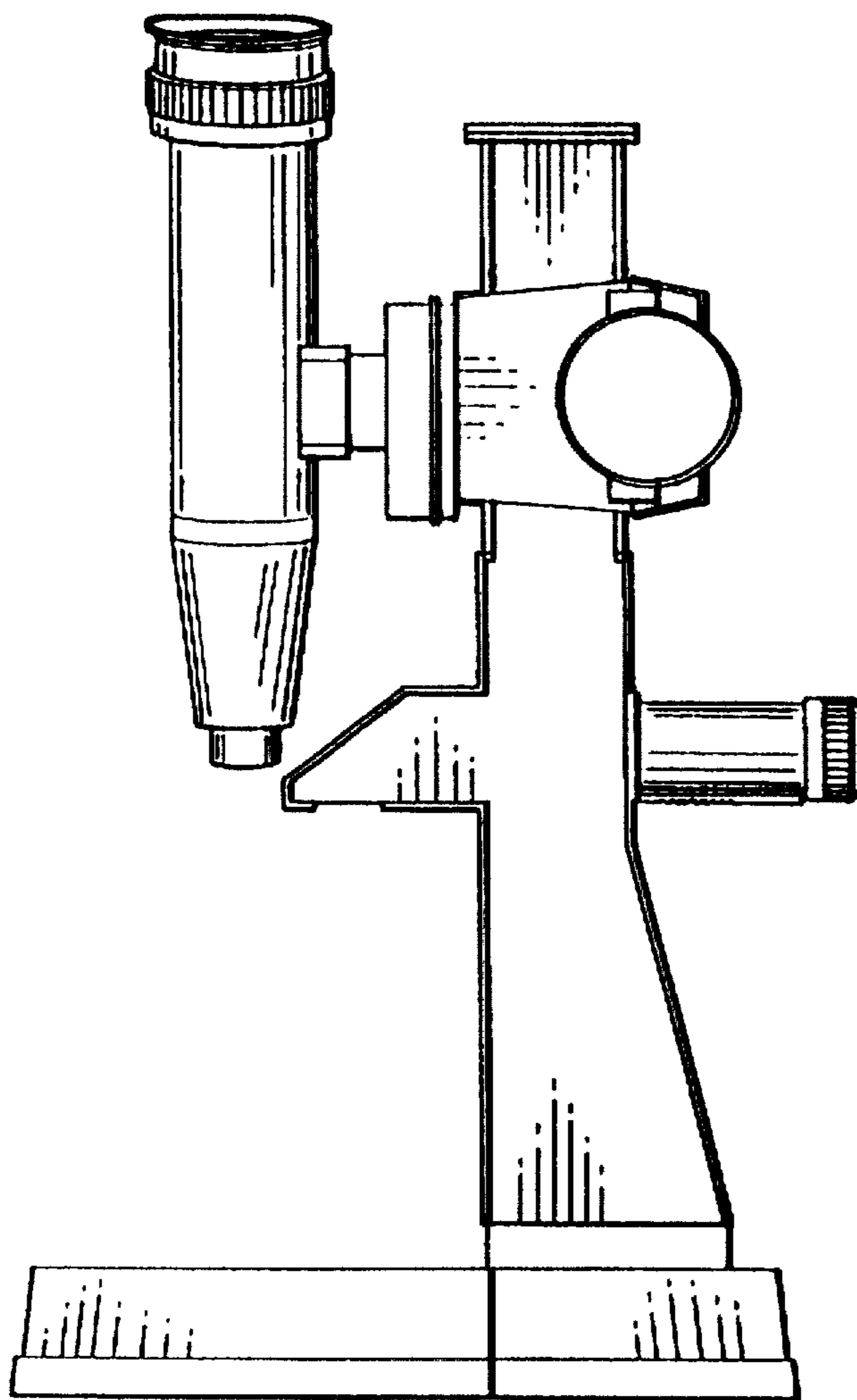


FIG . 3

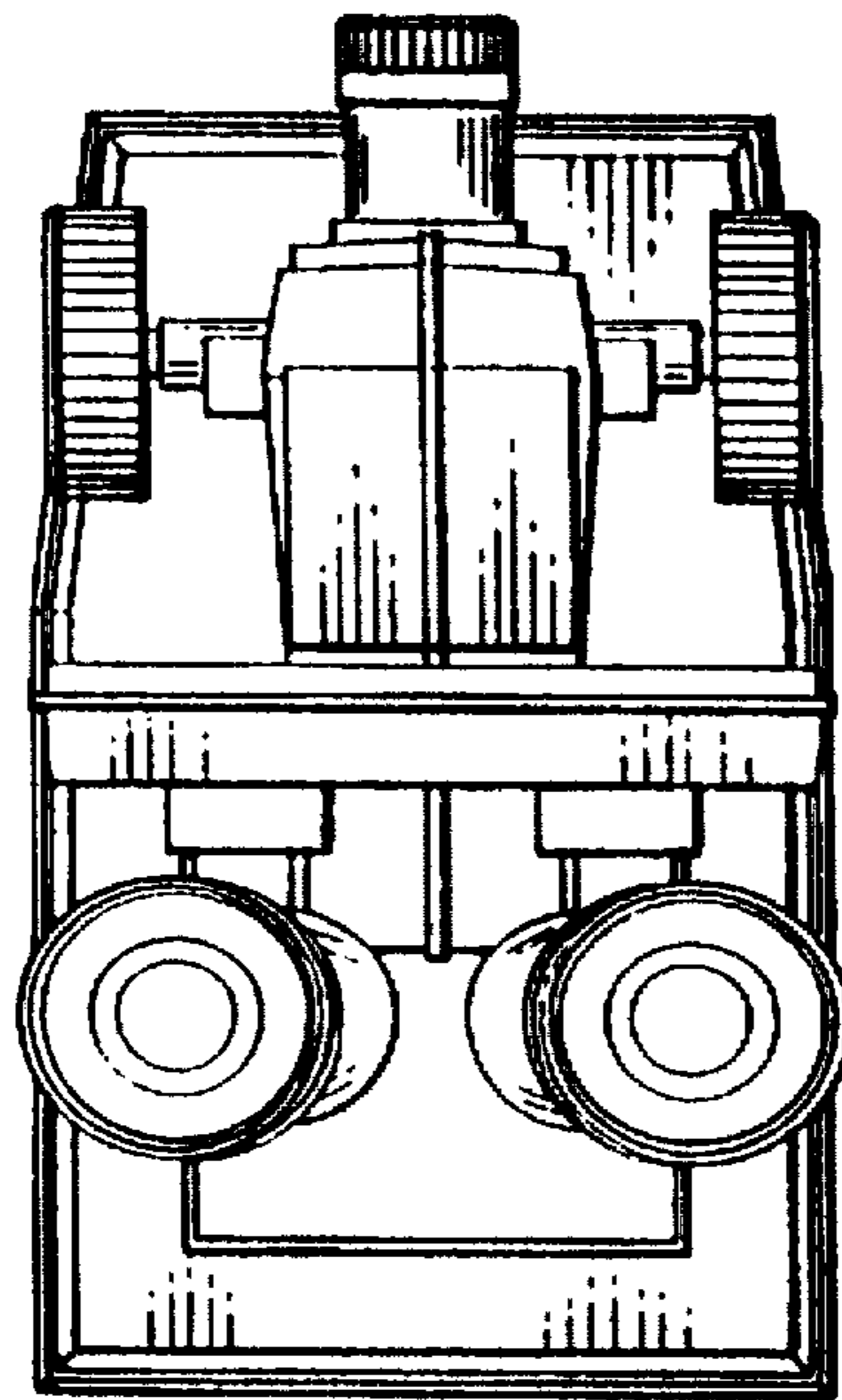


FIG. 4

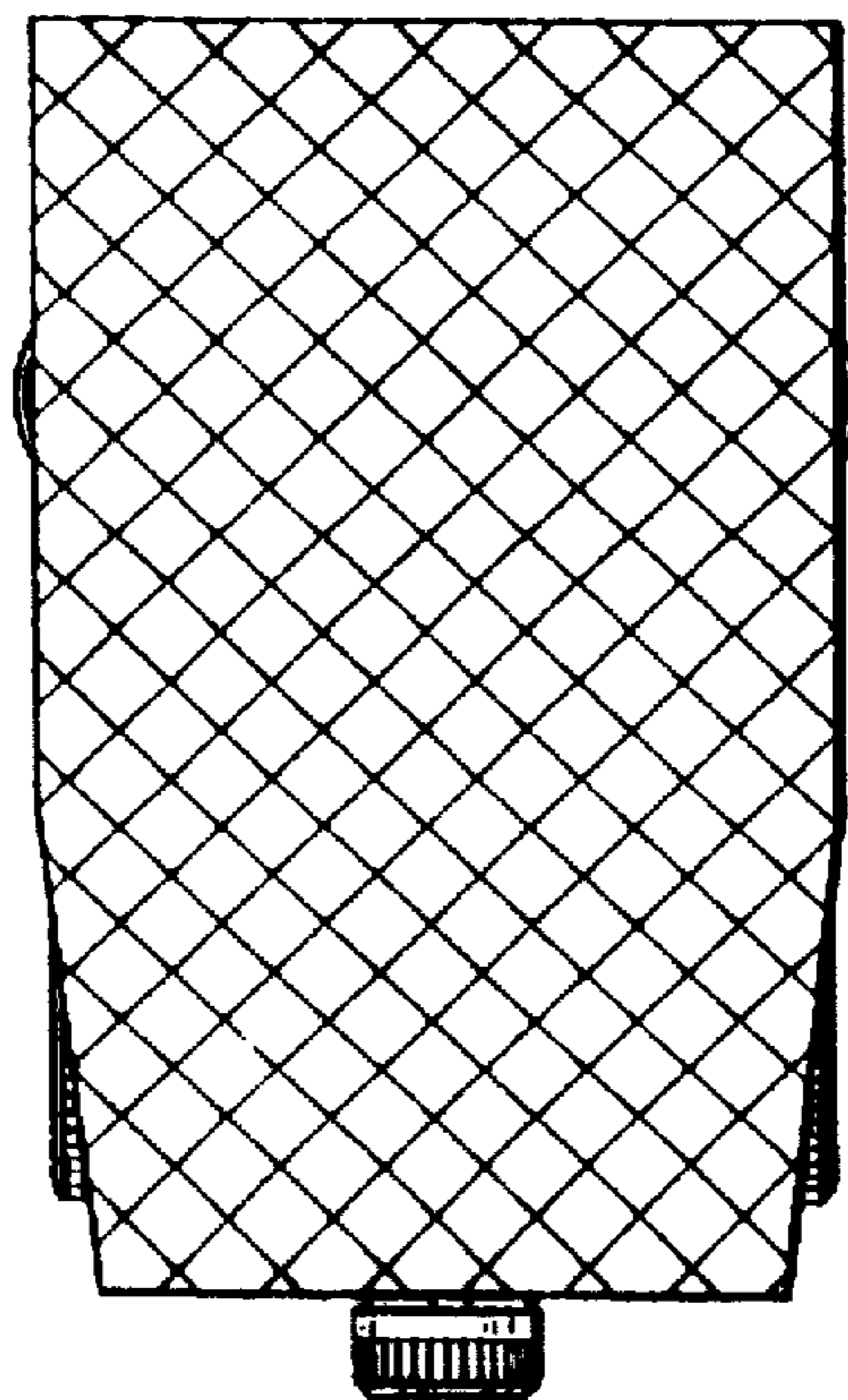


FIG. 5

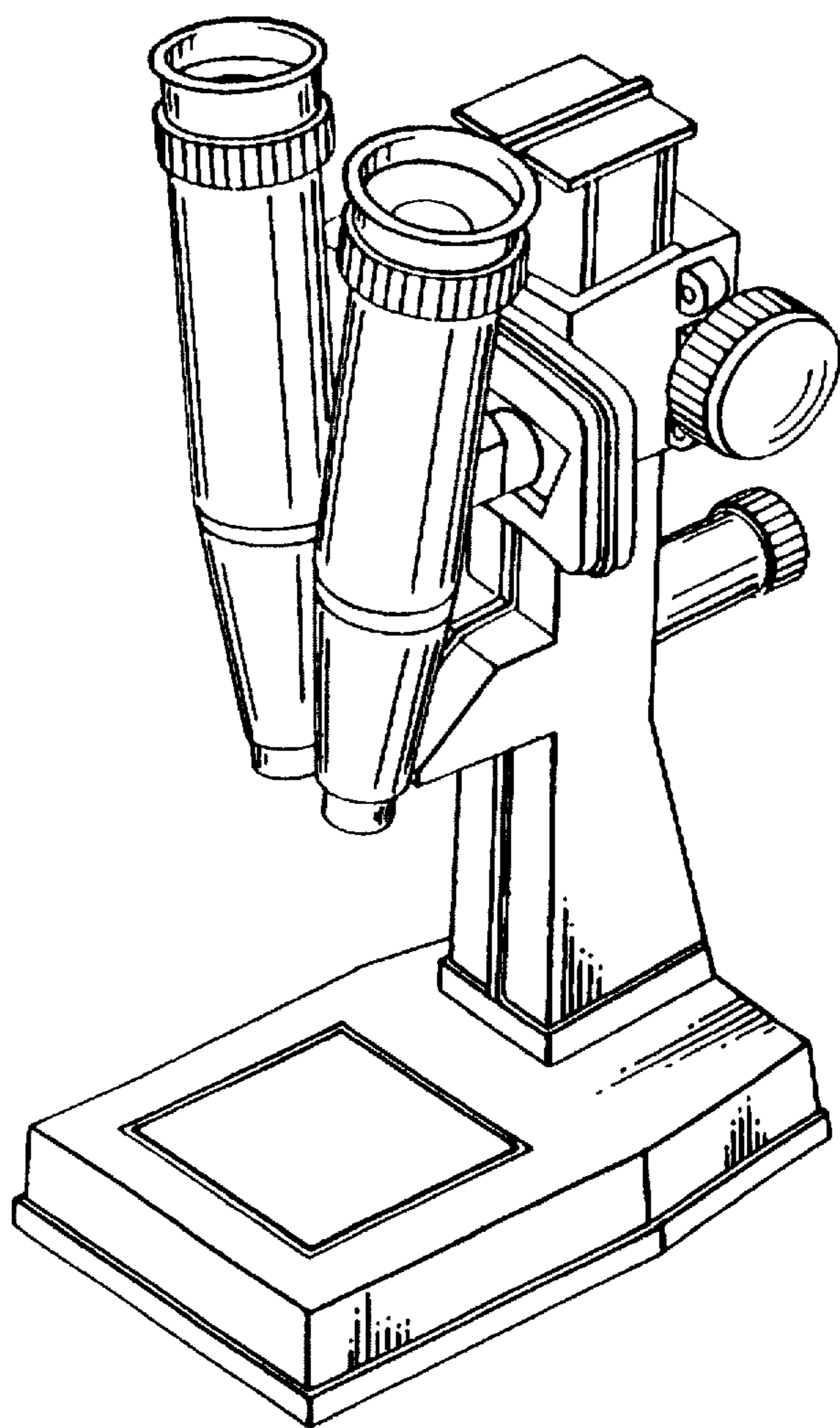


FIG. 6

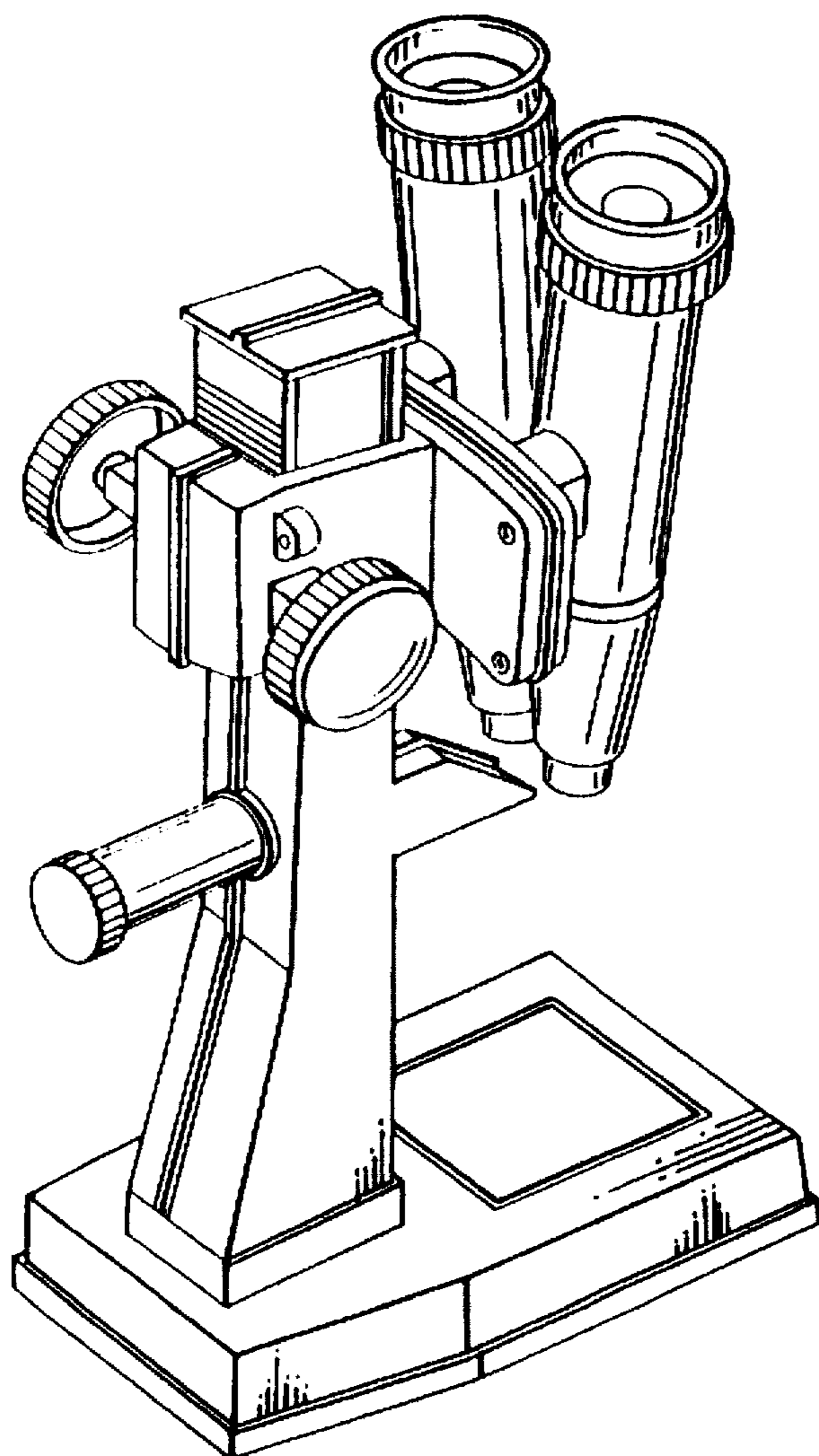


FIG. 7