



US00D391276S

United States Patent [19]
Roth

[11] **Patent Number: Des. 391,276**
[45] **Date of Patent: **Feb. 24, 1998**

[54] **AUGER BORING HEAD PLUG**

2,908,514 10/1959 Davis 175/423

[76] **Inventor: Rudolf Roth, 3556 Boutwell Rd., Lake Worth, Fla. 33461**

Primary Examiner—Antoine Duval Davis
Attorney, Agent, or Firm—McHale & Slavin, P.A.

[**] **Term: 14 Years**

[57] **CLAIM**

[21] **Appl. No.: 45,844**

The ornamental design for an auger boring head plug, as shown and described.

[22] **Filed: Oct. 31, 1995**

DESCRIPTION

[51] **LOC (6) Cl. 15-09**

[52] **U.S. Cl. D15/138; D15/139**

[58] **Field of Search D15/138, 139;**
166/85.1; 175/22, 307, 308, 309, 310, 311,
312, 423, 424

FIG. 1 is a bottom perspective view of the auger boring head plug of the instant invention;

FIG. 2 is a bottom plane view thereof;

FIG. 3 is a top plane view of thereof; and,

FIG. 4 is a side view of the instant invention.

[56] **References Cited**

U.S. PATENT DOCUMENTS

1,899,273 2/1933 Hinderliter 166/85.1

1 Claim, 1 Drawing Sheet

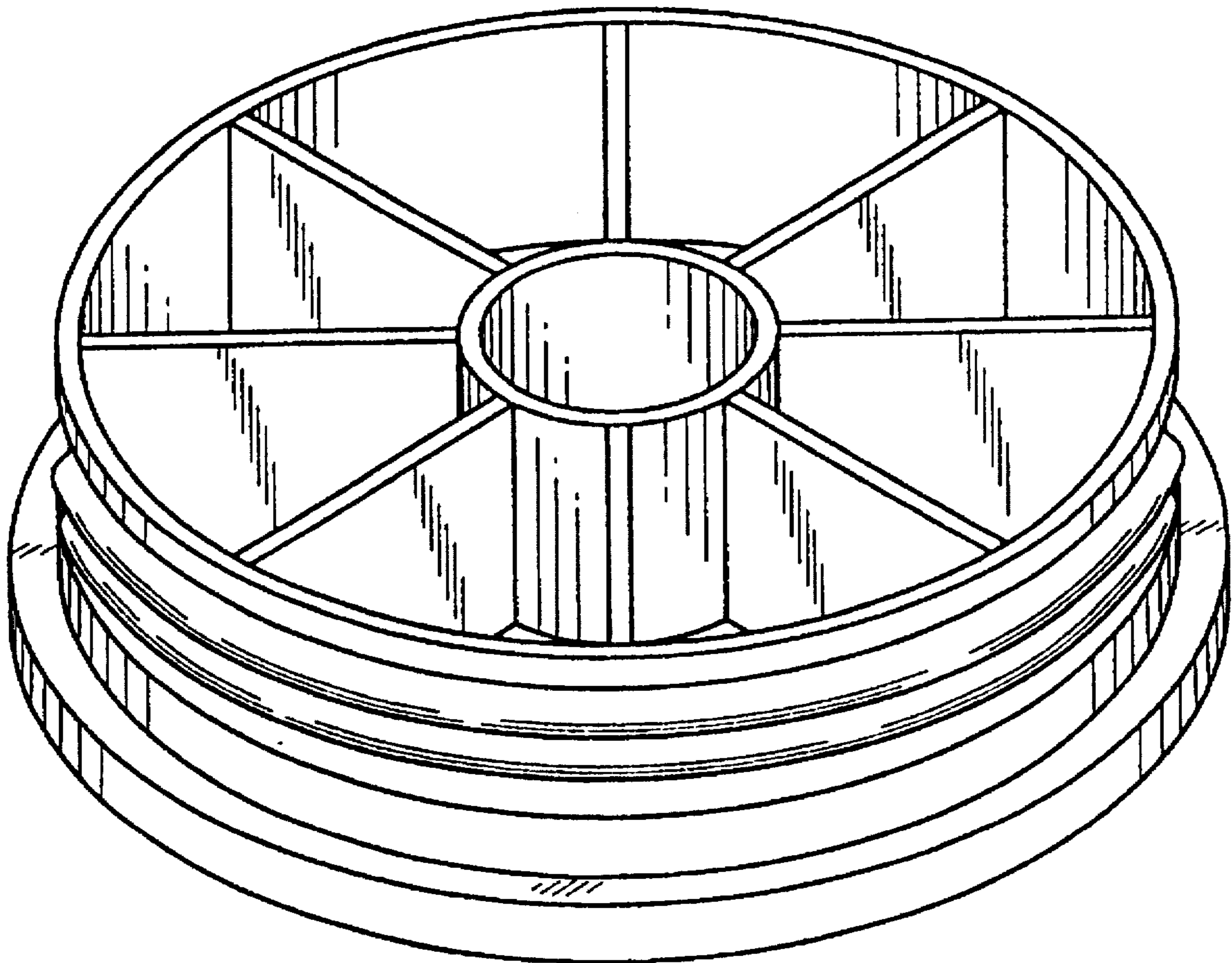


FIG. 1

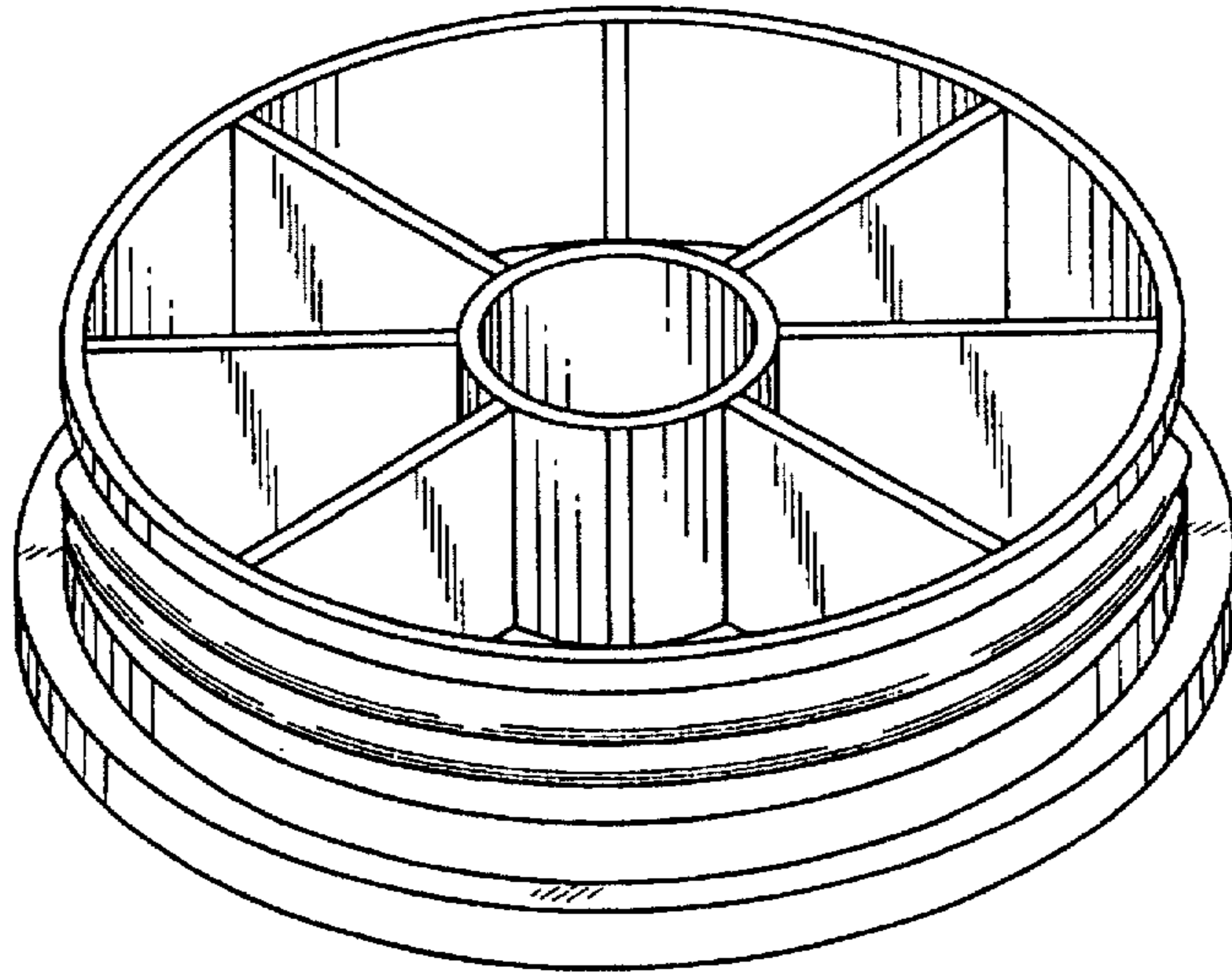


FIG. 2

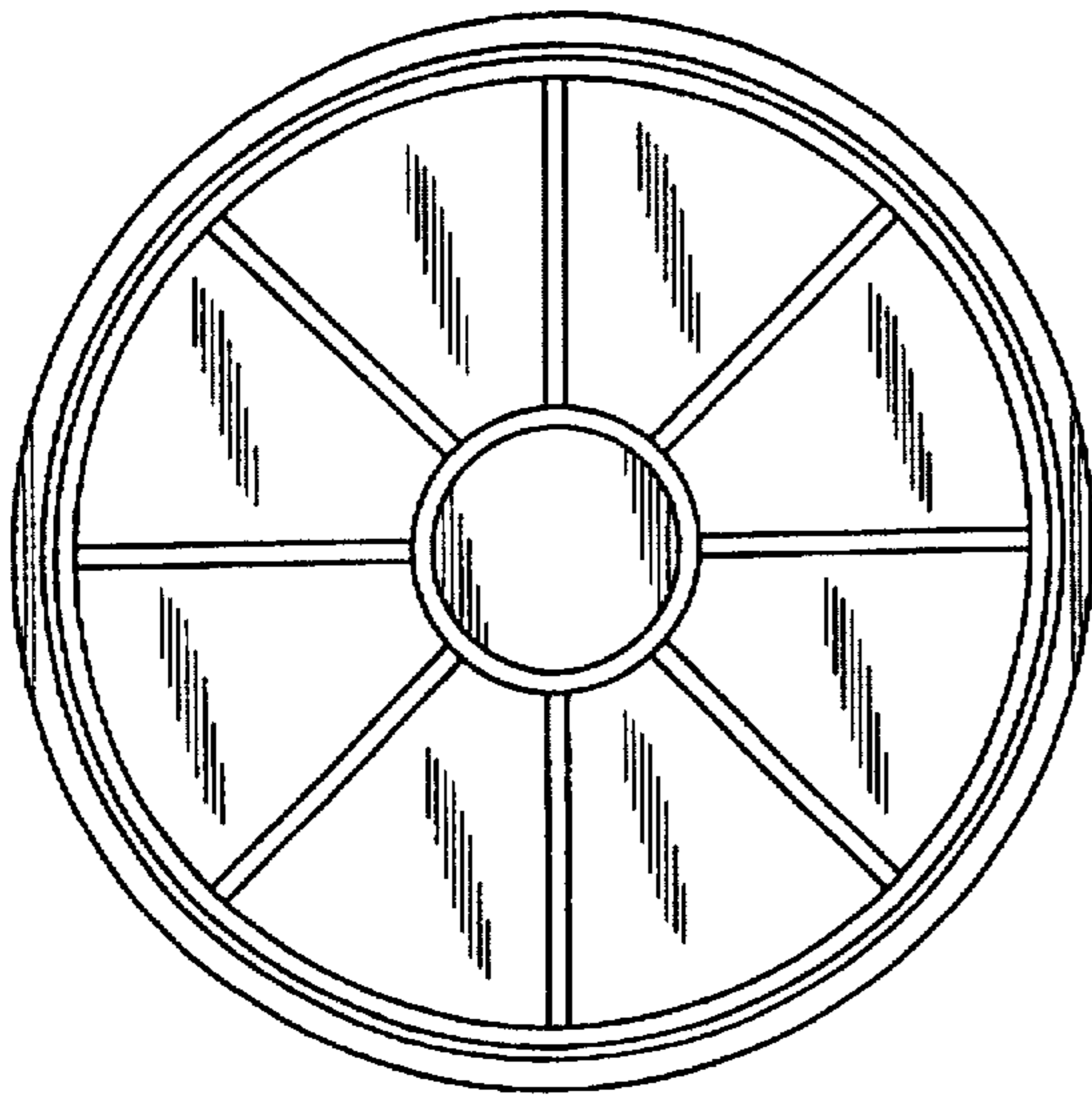


FIG. 3

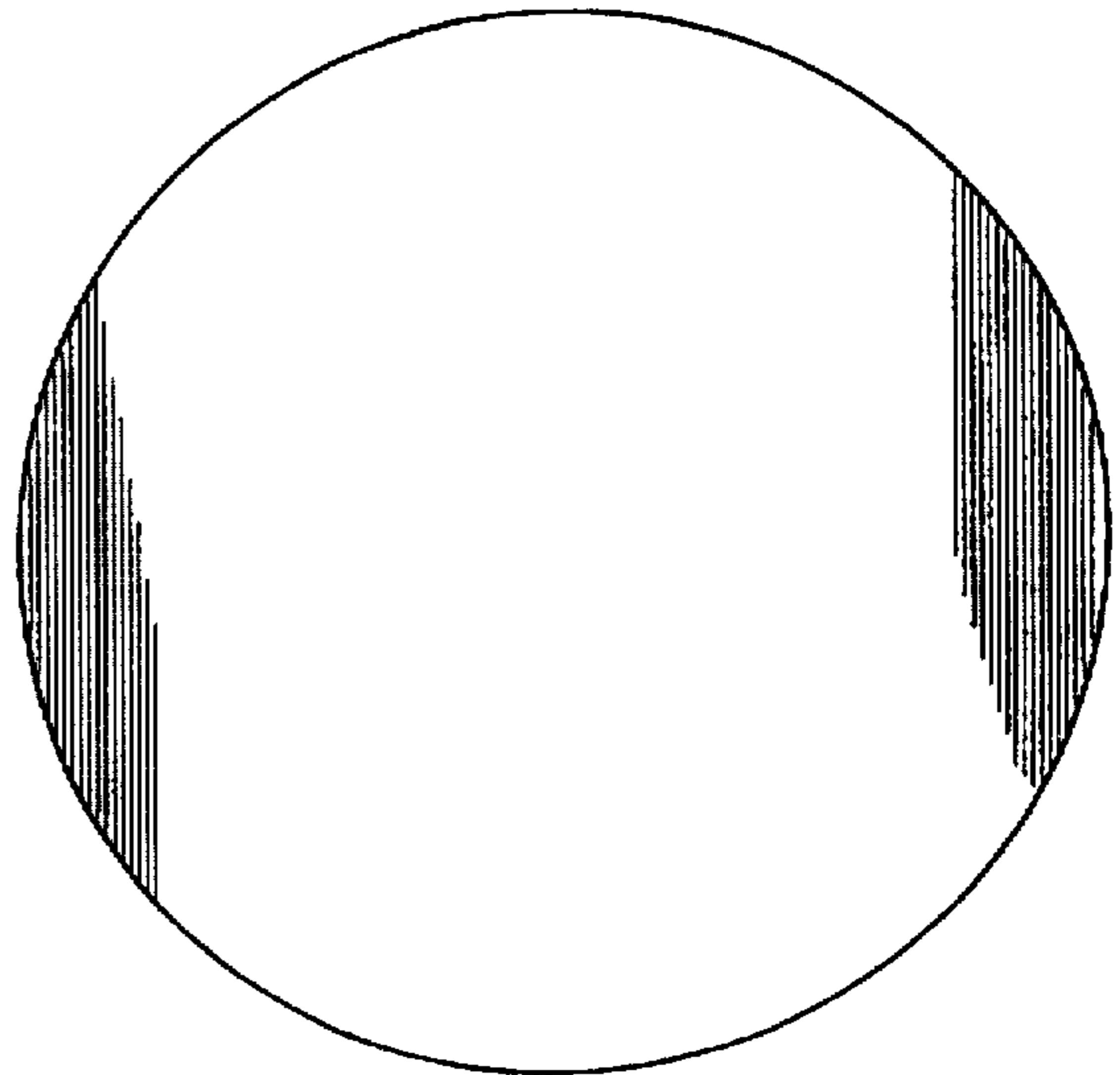


FIG. 4

