



US00D391274S

# United States Patent [19]

[11] Patent Number: **Des. 391,274**

**Gasior**

[45] Date of Patent: **\*\*Feb. 24, 1998**

## [54] OIL DRAINAGE DEVICE

## [57] CLAIM

[76] Inventor: **Carlton L. Gasior**, 4728 Robbins St., San Diego, Calif. 92122

The ornamental design for an oil drainage device, as shown and described.

[\*\*] Term: **14 Years**

## DESCRIPTION

[21] Appl. No.: **61,863**

FIG. 1 is an exploded perspective view of the oil drainage device showing my new design;

[22] Filed: **Nov. 1, 1996**

FIG. 2 and 4, the cord portion of the cap retainer leash is shown broken away to indicate indeterminate length.

[51] LOC (6) Cl. .... **15-99**

[52] U.S. Cl. .... **D15/150**

[58] Field of Search ..... D15/150, 151, D15/152; 141/86, 98, 331-346

FIG. 2 is a perspective view thereof;

FIG. 3 is a top plan view thereof;

FIG. 4 is a front elevational view thereof with a portion of the front shown broken away as a cross-sectional view taken vertically through the midplane of the device at line 4-4 of FIG. 3; and

FIG. 5 is a perspective view of the oil divider unit of the device.

## [56] References Cited

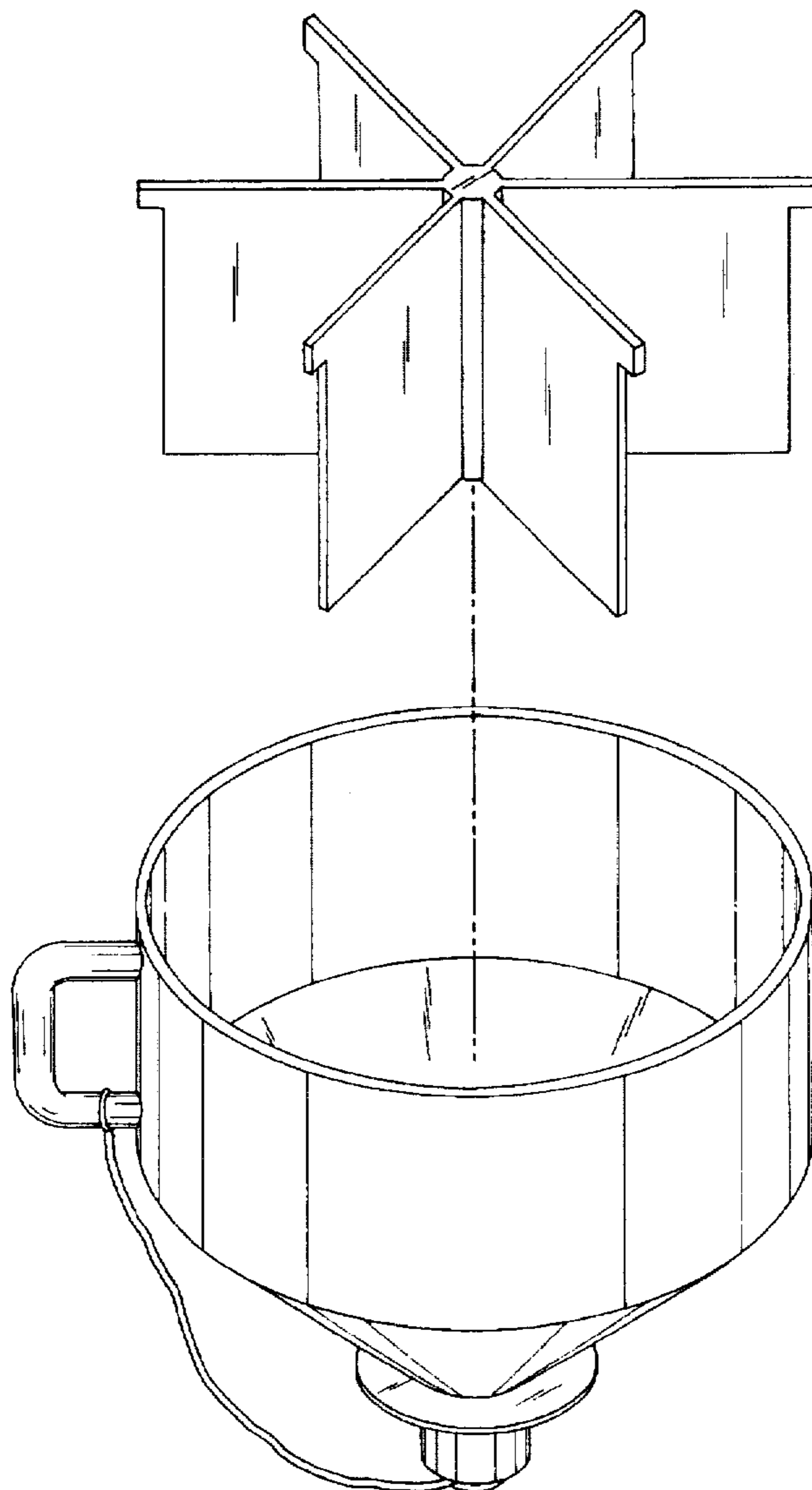
### U.S. PATENT DOCUMENTS

5,033,521 7/1991 Martin ..... 141/337

5,259,426 11/1993 Burleigh et al. .... 141/98

Primary Examiner—Antoine Duval Davis

**1 Claim, 3 Drawing Sheets**



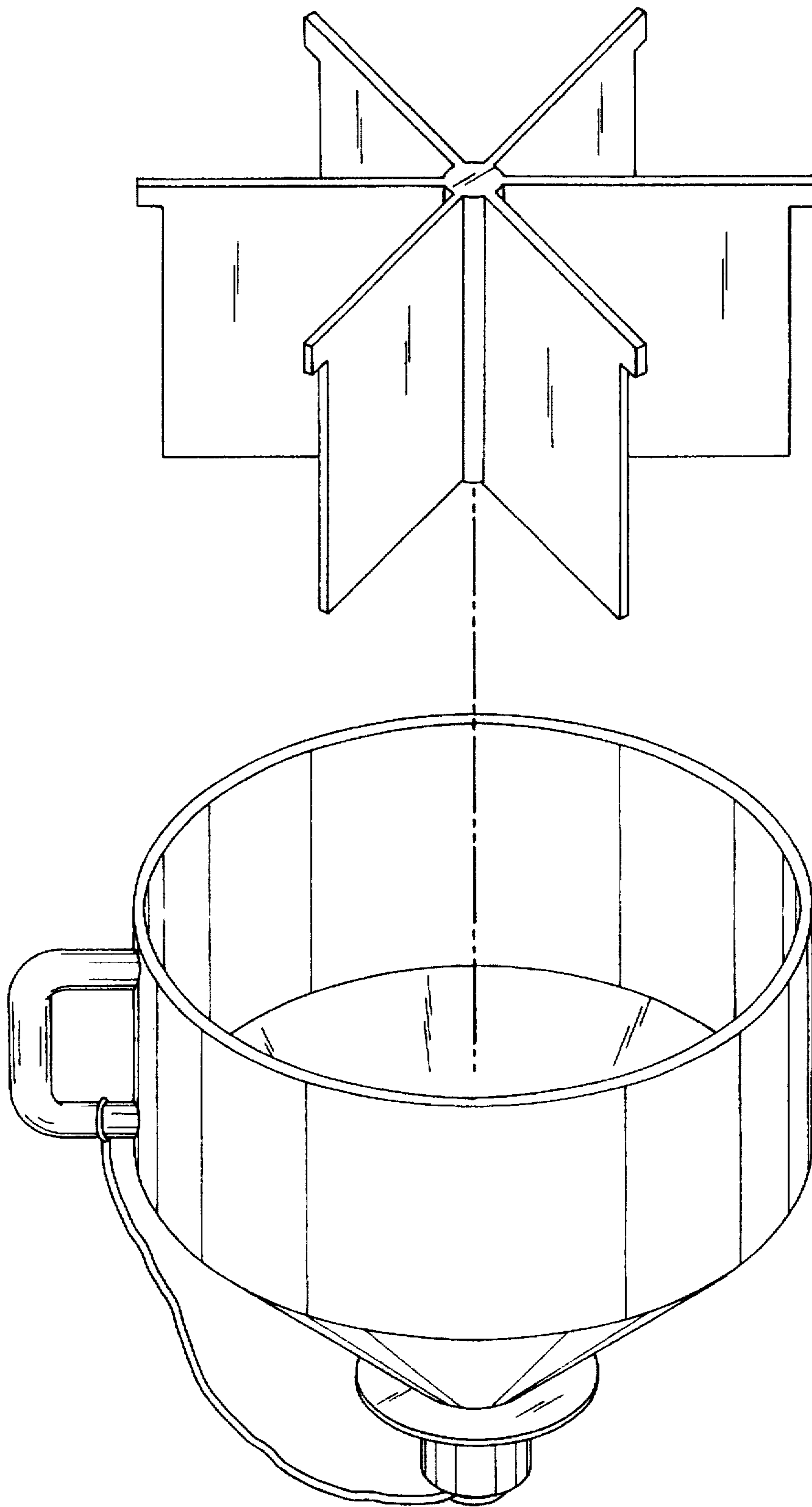


FIG. 1

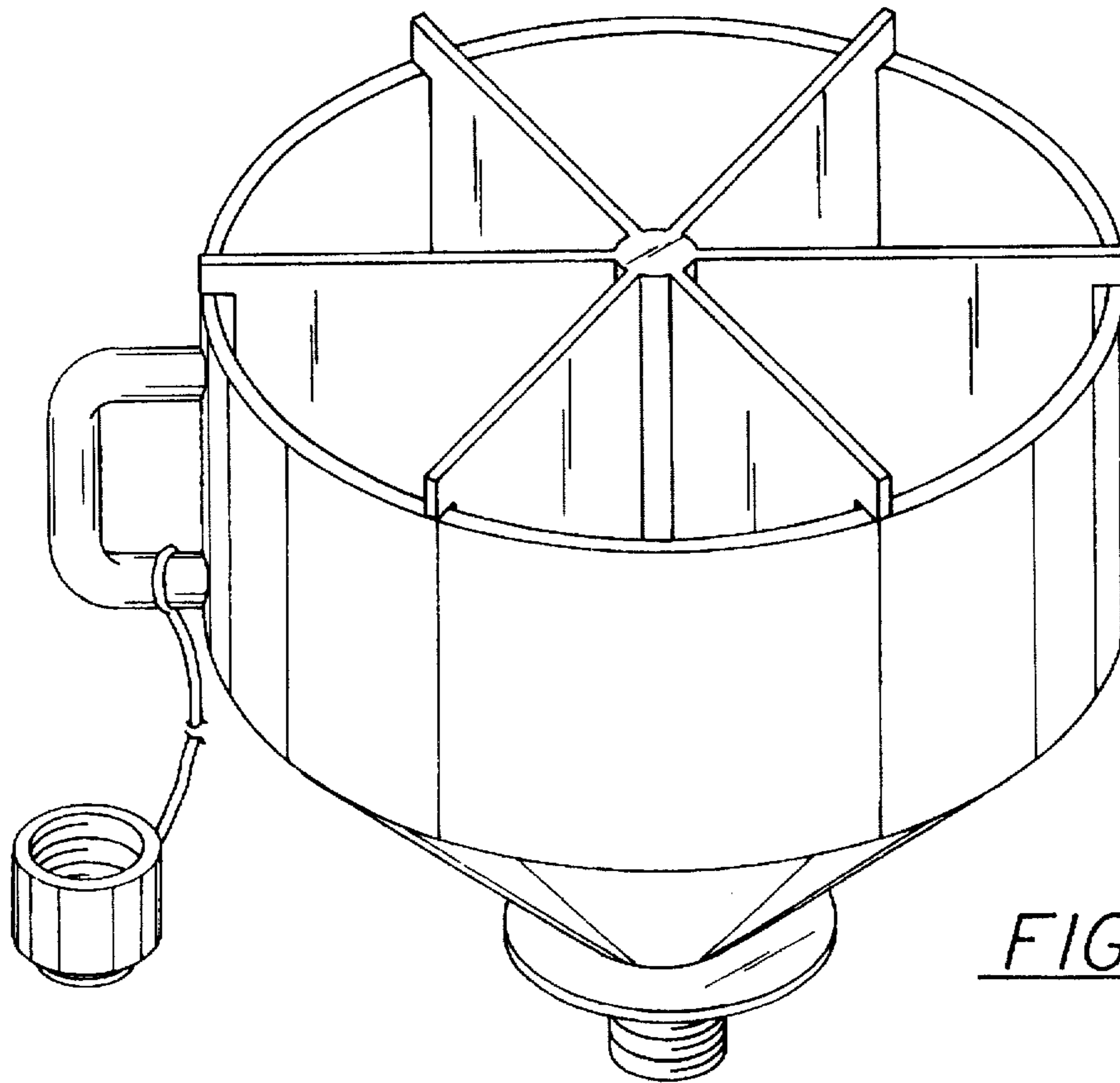


FIG. 2

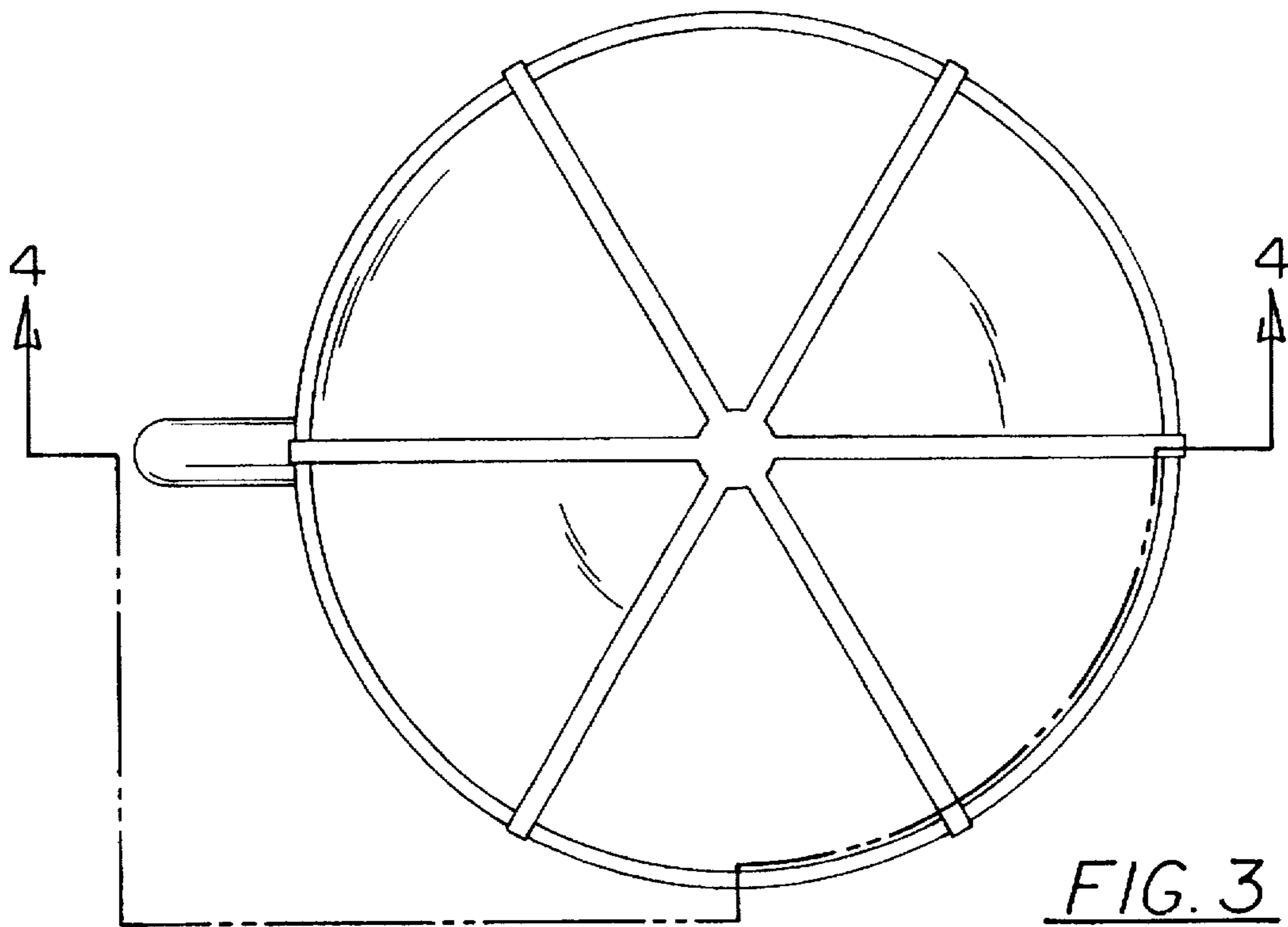


FIG. 3

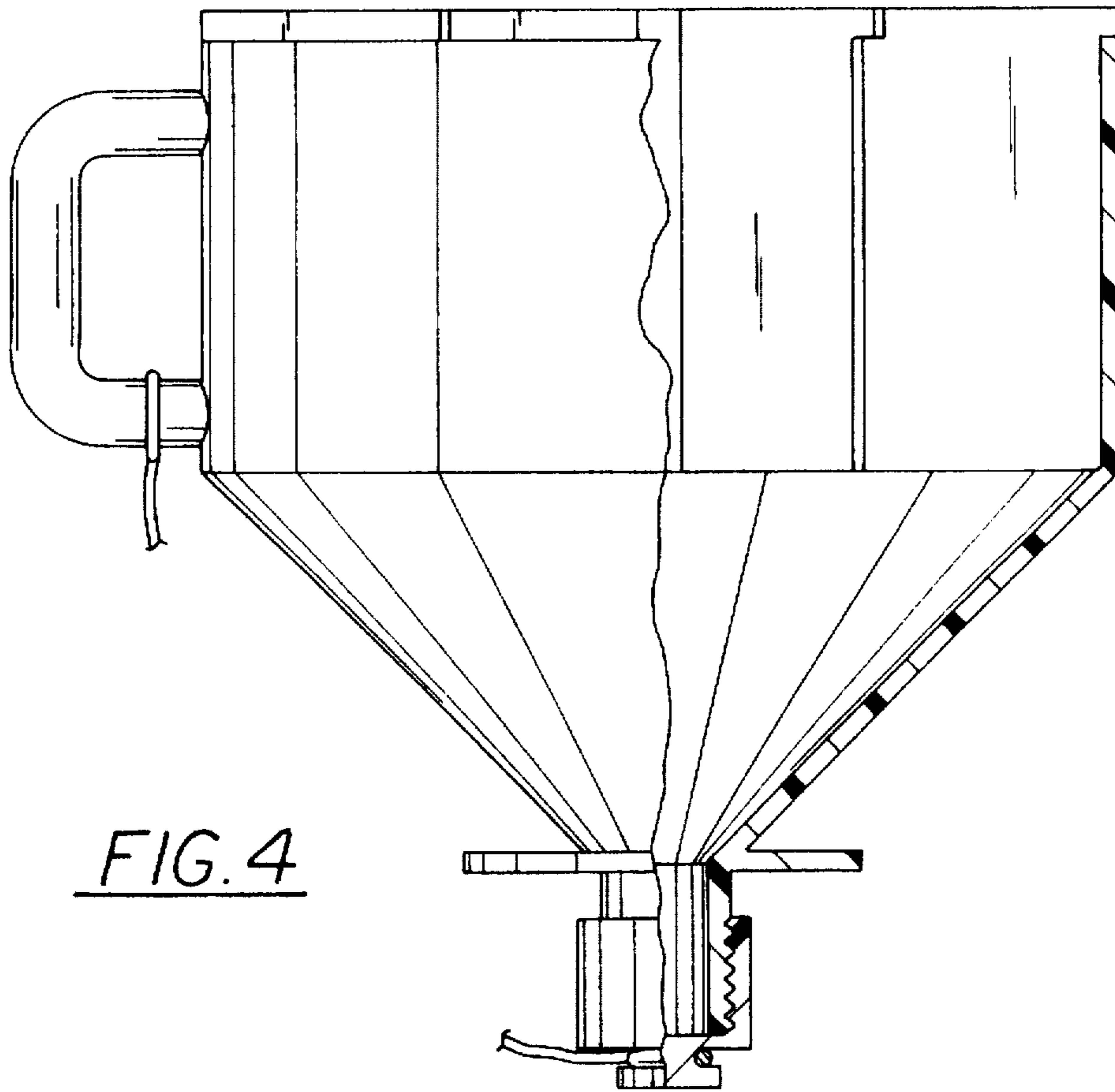


FIG. 4

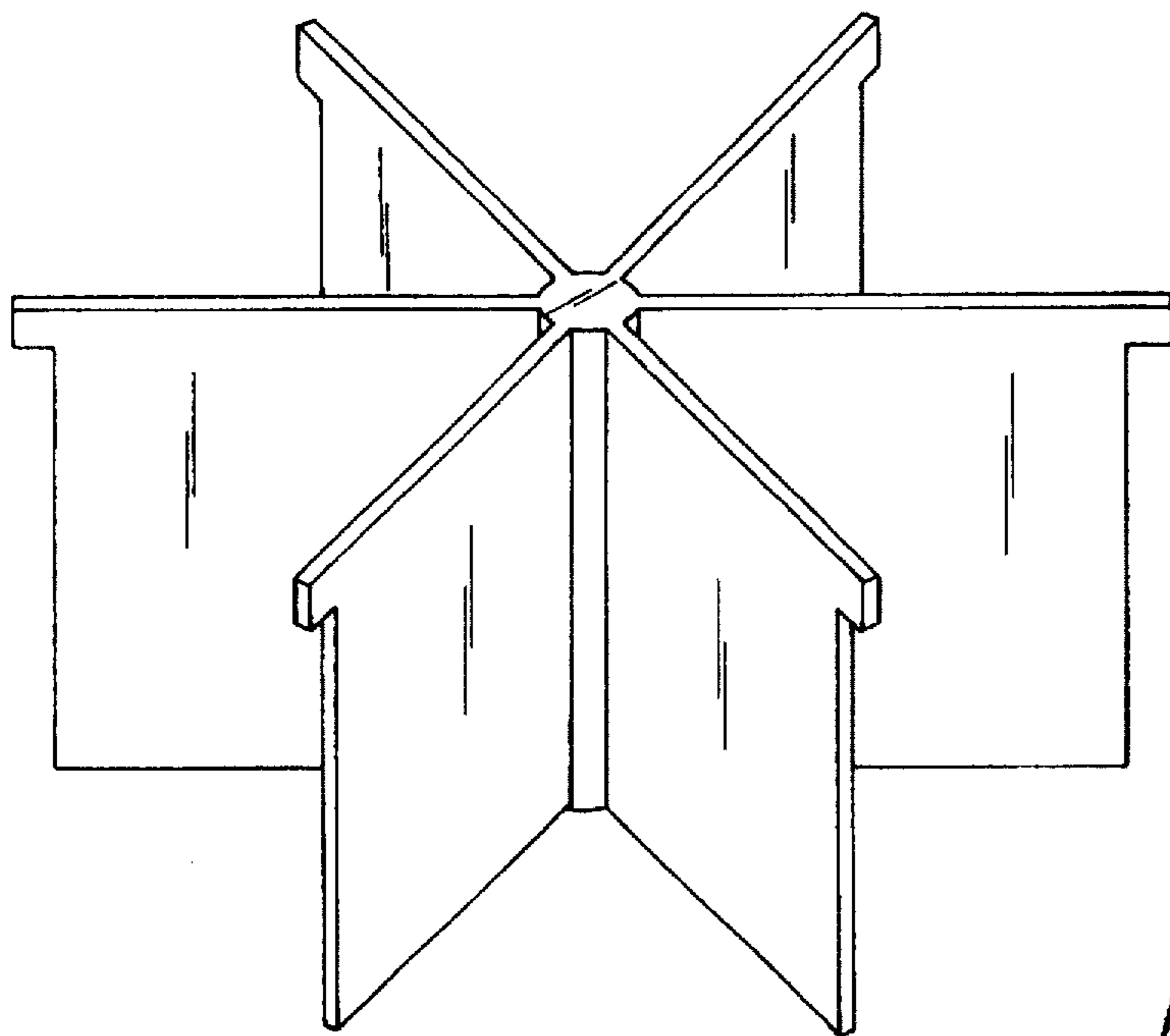


FIG. 5