



US00D391272S

# United States Patent [19]

Jin et al.

[11] Patent Number: Des. 391,272

[45] Date of Patent: \*\*Feb. 24, 1998

[54] EXCAVATOR

[75] Inventors: **Hyung-ju Jin**, Seoul; **Hyung-ro Kim**,  
Kyungki-do, both of Rep. of Korea

[73] Assignee: **Samsung Heavy Industries Co., Ltd.**,  
Seoul, Rep. of Korea

[\*\*] Term: 14 Years

[21] Appl. No.: 45,743

[22] Filed: Oct. 27, 1995

[30] Foreign Application Priority Data

Apr. 29, 1995 [KR] Rep. of Korea ..... 95-8062

[51] LOC (6) Cl. .... 15-04

[52] U.S. Cl. .... D15/25; D15/24

[58] Field of Search ..... D15/10, 22-26;  
37/348, 405; 414/694, 698, 699; 180/89.1,  
89.12, 139, 235, 326

[56] References Cited

U.S. PATENT DOCUMENTS

D. 273,384 4/1984 Nasu ..... D15/24

D. 309,313	7/1990	Takashima et al. ....	D15/24
D. 338,019	8/1993	Bhambra .....	D15/25
4,776,750	10/1988	Griswold Jr. et al. ....	414/698
5,544,435	8/1996	Somero .....	414/722

Primary Examiner—Sandra L. Morris  
Attorney, Agent, or Firm—Dilworth & Barrese

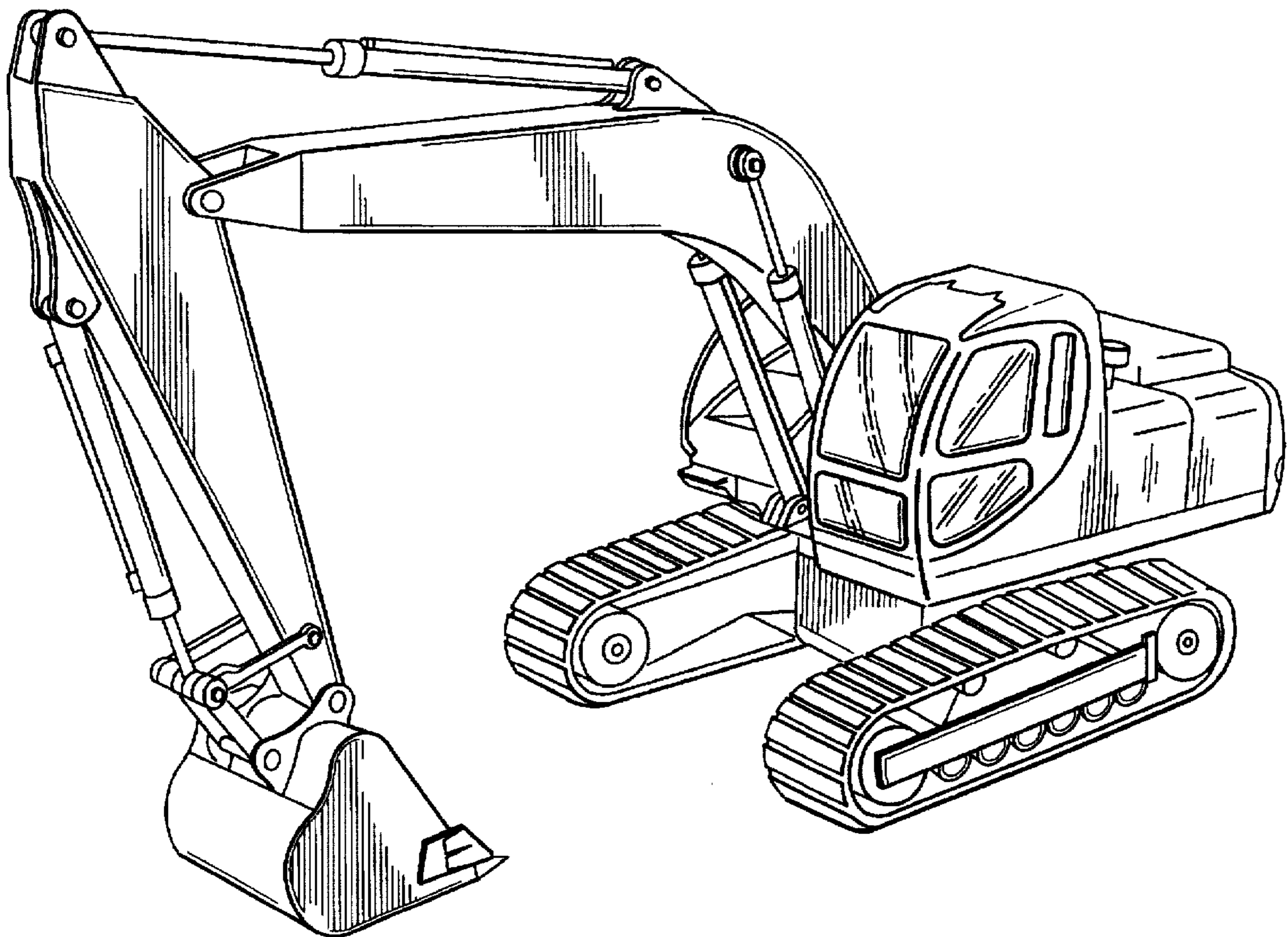
[57] CLAIM

The ornamental design for an excavator, as shown and described.

DESCRIPTION

FIG. 1 is a right side perspective view of the excavator according to the present design;  
FIG. 2 is a front elevational view thereof;  
FIG. 3 is a rear elevational view thereof;  
FIG. 4 is a left side elevational view thereof;  
FIG. 5 is a right side elevational view thereof; and,  
FIG. 6 is a top plan view thereof.

1 Claim, 6 Drawing Sheets



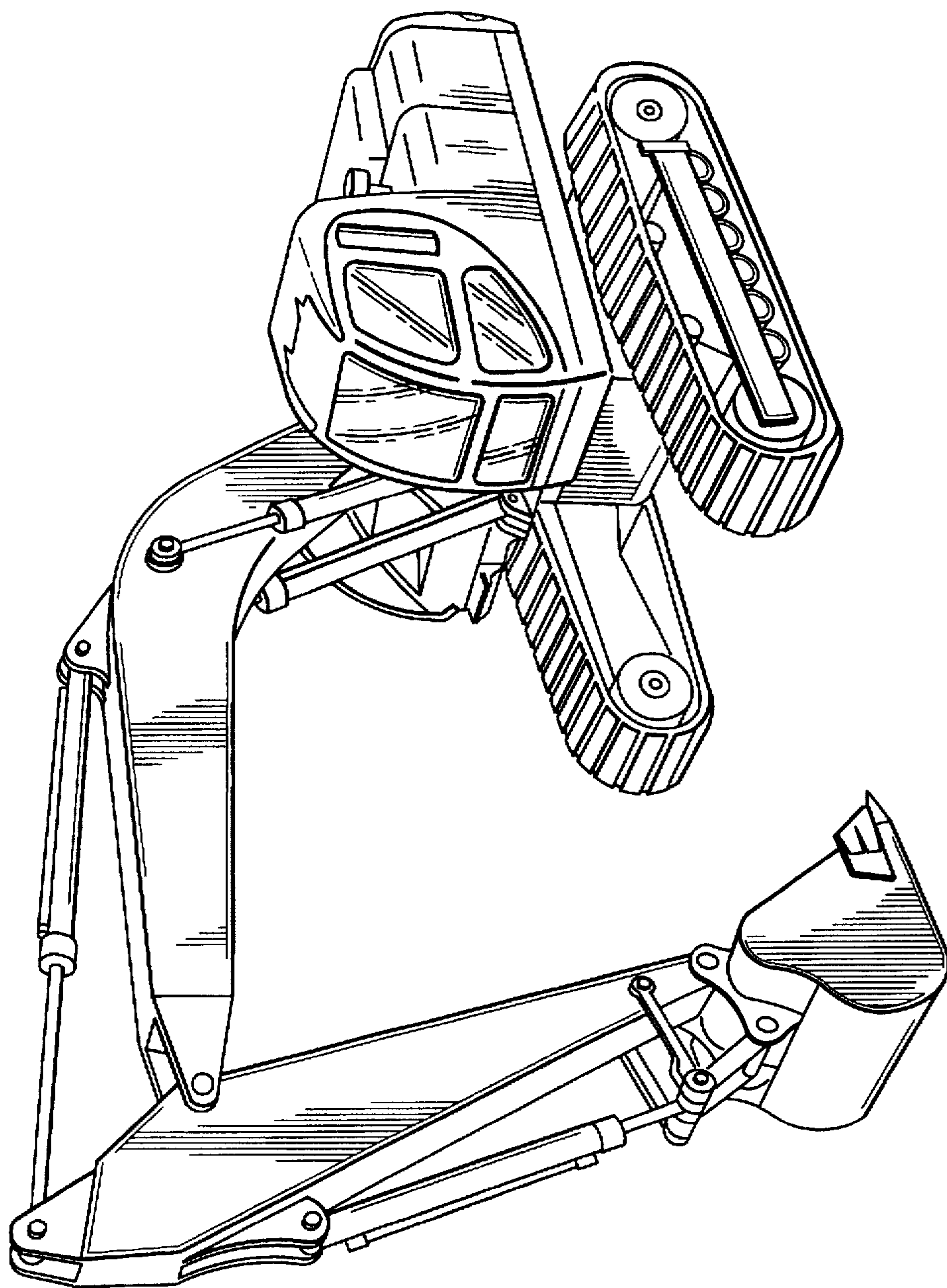


FIG. 1

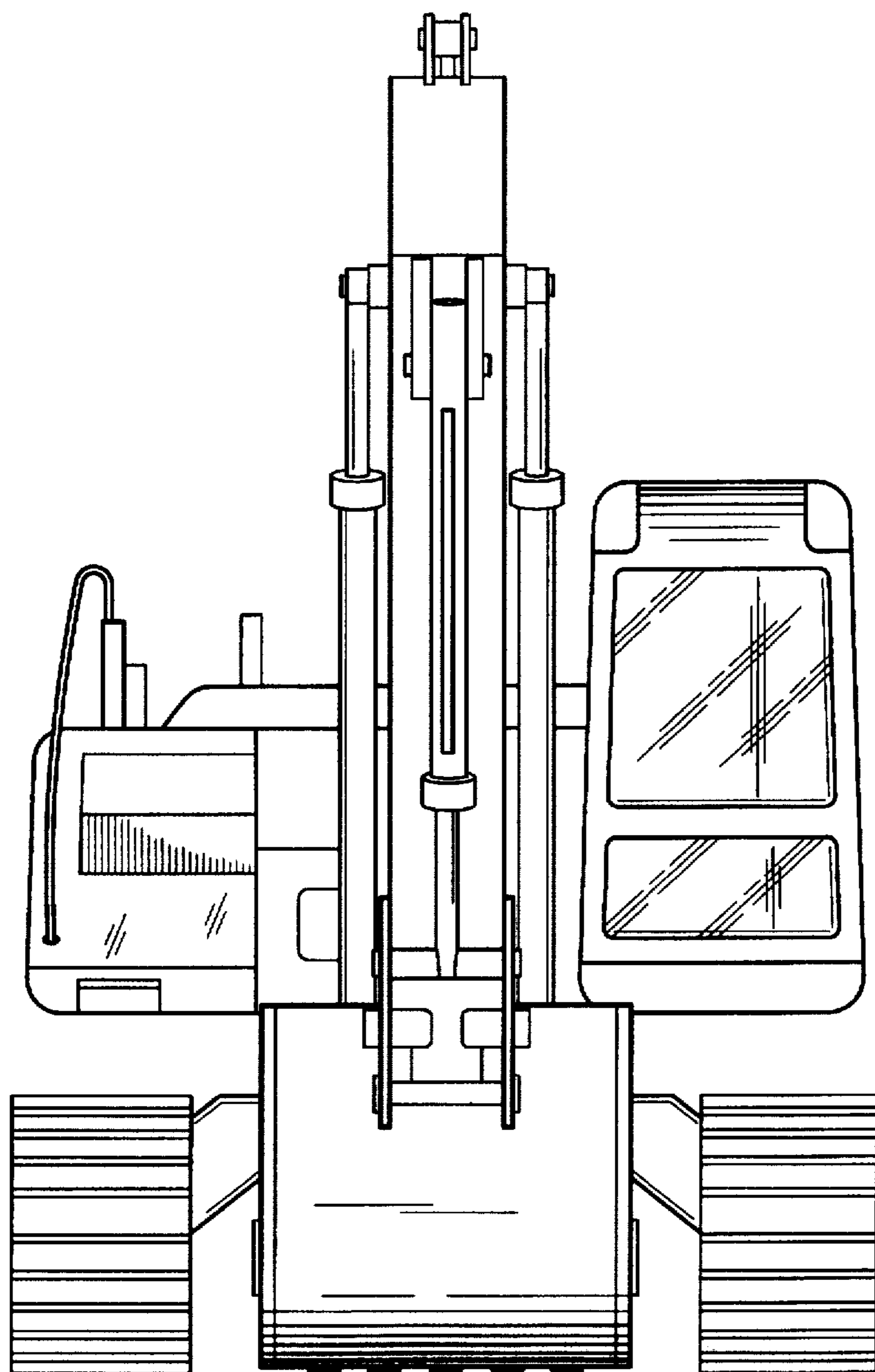


FIG. 2

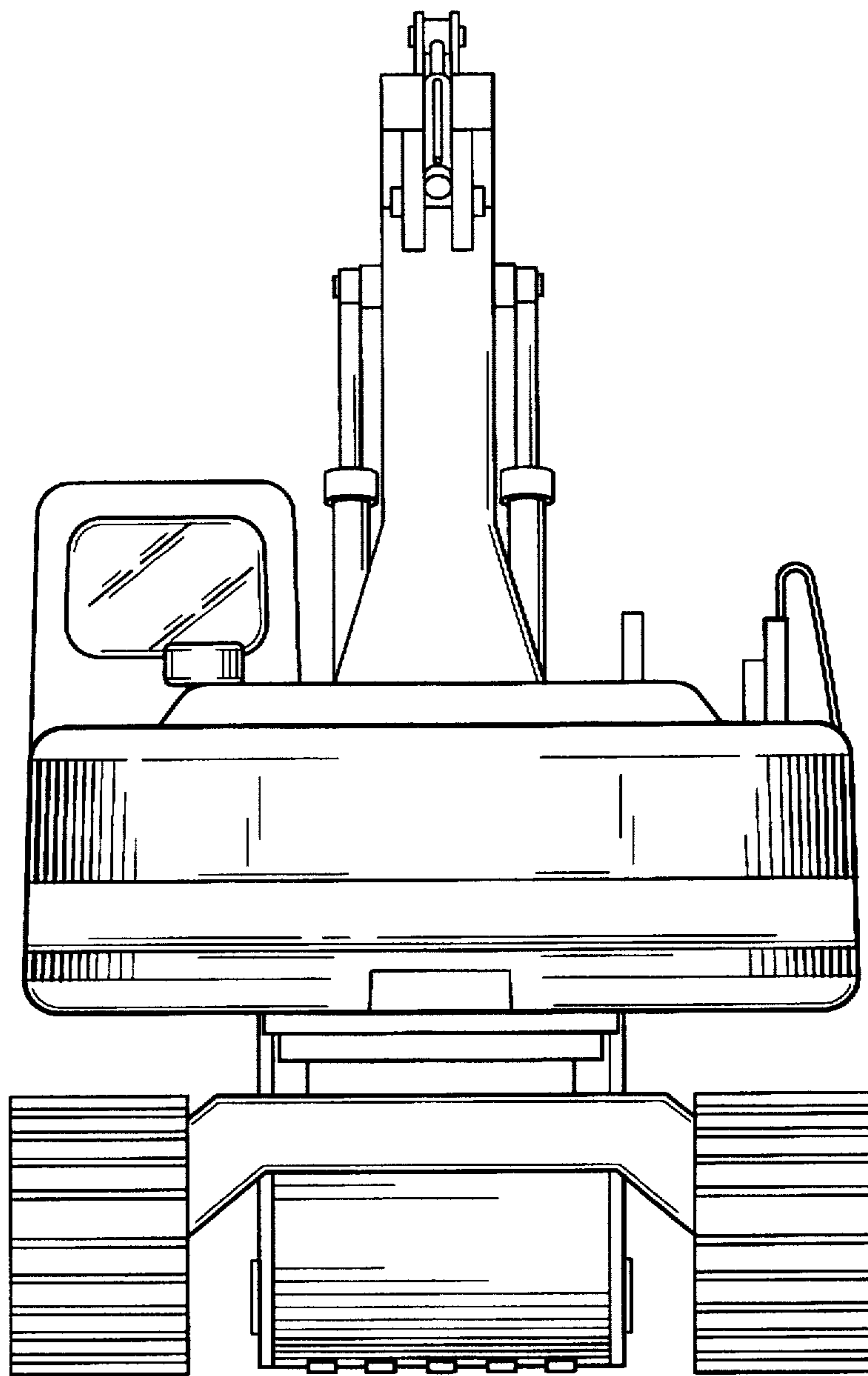


FIG. 3

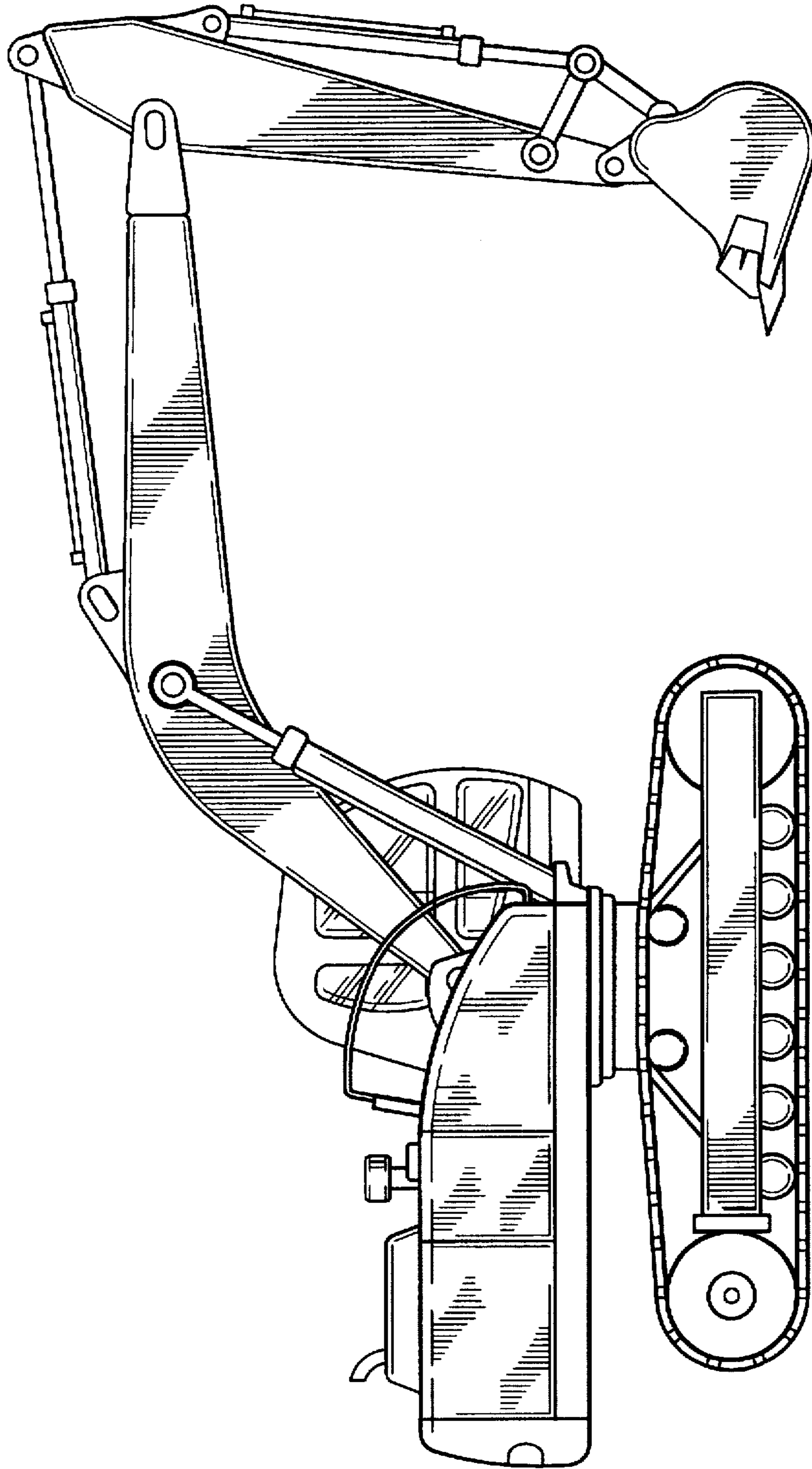


FIG. 4

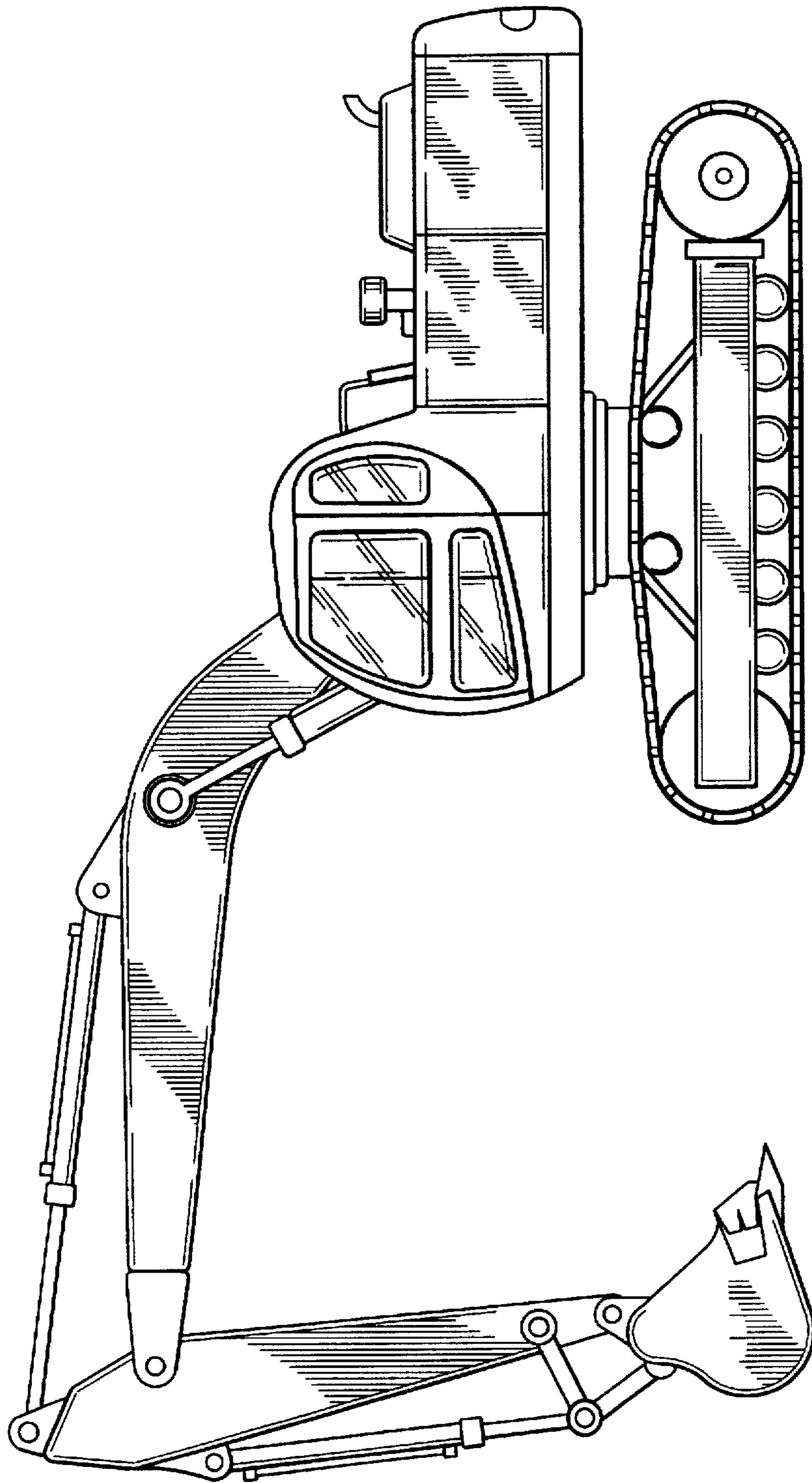


FIG. 5

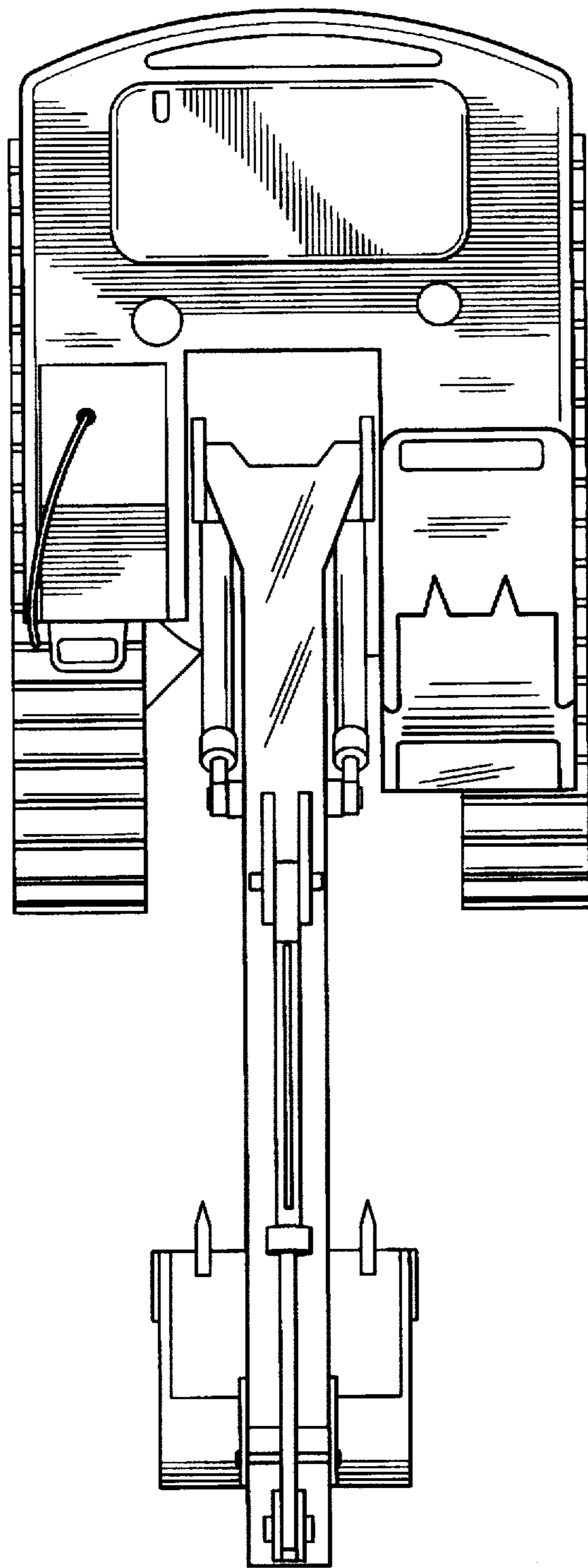


FIG. 6