



US00D391271S

United States Patent [19]

Matisz et al.

[11] Patent Number: **Des. 391,271**

[45] Date of Patent: ****Feb. 24, 1998**

- [54] **EXTENSION ACCESSORY FOR A SNOW PLOW**
- [75] Inventors: **George Thomé Matisz; Matthew Beale, both of Pittsburgh; William D. Boehmer, Clairton, all of Pa.**
- [73] Assignee: **Solotec Corporation, Pittsburgh, Pa.**
- [**] Term: **14 Years**
- [21] Appl. No.: **61,838**
- [22] Filed: **Oct. 31, 1996**
- [51] **LOC (6) Cl. 15-03**
- [52] **U.S. Cl. D15/11**
- [58] **Field of Search D15/10-12, 28; 37/231, 232, 260, 265, 270, 272, 281, 285**

5,048,207	9/1991	Verseef	37/281
5,063,695	11/1991	Briscoe et al.	37/141 R
5,088,215	2/1992	Ciula	37/197
5,111,603	5/1992	Knowlton et al.	37/231
5,207,010	5/1993	Grossman	37/231
5,251,390	10/1993	Wong	37/231
5,309,653	5/1994	Pease et al.	37/266
5,477,600	12/1995	Houle et al.	37/279
5,568,694	10/1996	Capra et al.	37/231

OTHER PUBLICATIONS

"Clear Your Drive the Easy Way", *Popular Mechanics*, Dec. 1971.

Werts Corporation —Easy—Angle —High Lift (undated).

Primary Examiner—Sandra L. Morris

Attorney, Agent, or Firm—David V. Radack; Eckert Seamans Cherin & Mellott, LLC

[57] CLAIM

The ornamental design for an extension accessory for a snow plow, as shown and described.

DESCRIPTION

FIG. 1 is a perspective view of the left and right sides of the extension accessory for a snow plow, showing our new design, the broken line showing of the snow plow is for illustrative purposes only, and forms no part of the claimed design;

FIG. 2 is a rear perspective of the right side of the extension accessory;

FIG. 3 is a left perspective view thereof;

FIG. 4 is a top plan view thereof;

FIG. 5 is a bottom plan view thereof;

FIG. 6 is a left side elevational view thereof;

FIG. 7 is a right side elevational view thereof;

FIG. 8 is a rear elevational view thereof;

FIG. 9 is a front elevational view thereof;

FIG. 10 is a rear perspective view of the left side of the extension accessory;

FIG. 11 is a left perspective view of FIG. 10;

FIG. 12 is a top plan view of FIG. 10;

FIG. 13 is a bottom plan view of FIG. 10;

FIG. 14 is a left side elevational view of FIG. 10;

FIG. 15 is a right side elevational view of FIG. 10;

FIG. 16 is a rear elevational view of FIG. 10; and,

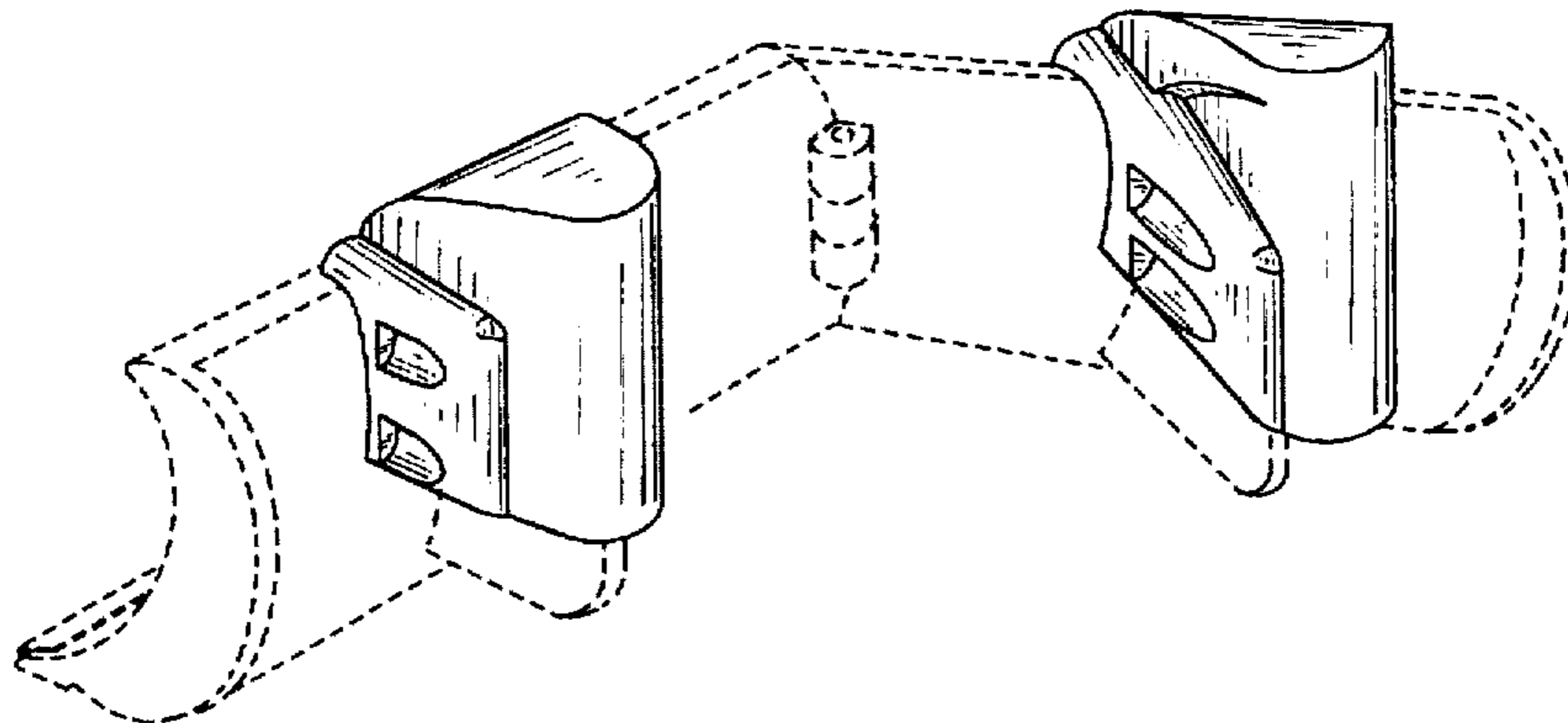
FIG. 17 is a front elevational view of FIG. 10.

1 Claim, 9 Drawing Sheets

[56] References Cited

U.S. PATENT DOCUMENTS

D. 201,451	6/1965	Graham .	
1,964,617	6/1934	Bird .	
2,061,585	11/1936	Meyer .	
2,103,900	12/1937	Gay .	
2,141,558	12/1938	Richter .	
2,188,805	1/1940	Borgeson .	
2,191,323	2/1940	Richter .	
2,234,645	3/1941	Hetzelt .	
2,350,437	6/1944	Wiedman .	
2,430,221	11/1947	Frink et al. .	
2,431,410	11/1947	Maxim .	
2,468,950	5/1949	Wiedman .	
2,575,091	11/1951	Borgeson .	
2,754,601	7/1956	Meyer .	
3,098,309	7/1963	Koch .	
3,316,665	5/1967	Rinaldo .	
3,349,507	10/1967	Payne .	
3,524,269	8/1970	Jackoboice .	
3,575,251	4/1971	Moore	180/30
4,058,173	11/1977	Carson	172/719
4,255,884	3/1981	Williams	37/117.5
4,574,502	3/1986	Blau	37/266
4,658,519	4/1987	Quenzi	37/23
4,718,587	1/1988	Roberts	224/328
4,731,942	3/1988	Eberle	37/272
4,833,799	5/1989	Harte et al.	37/231
4,873,775	10/1989	Richey	37/231
4,944,104	7/1990	Kowalczyk	37/231



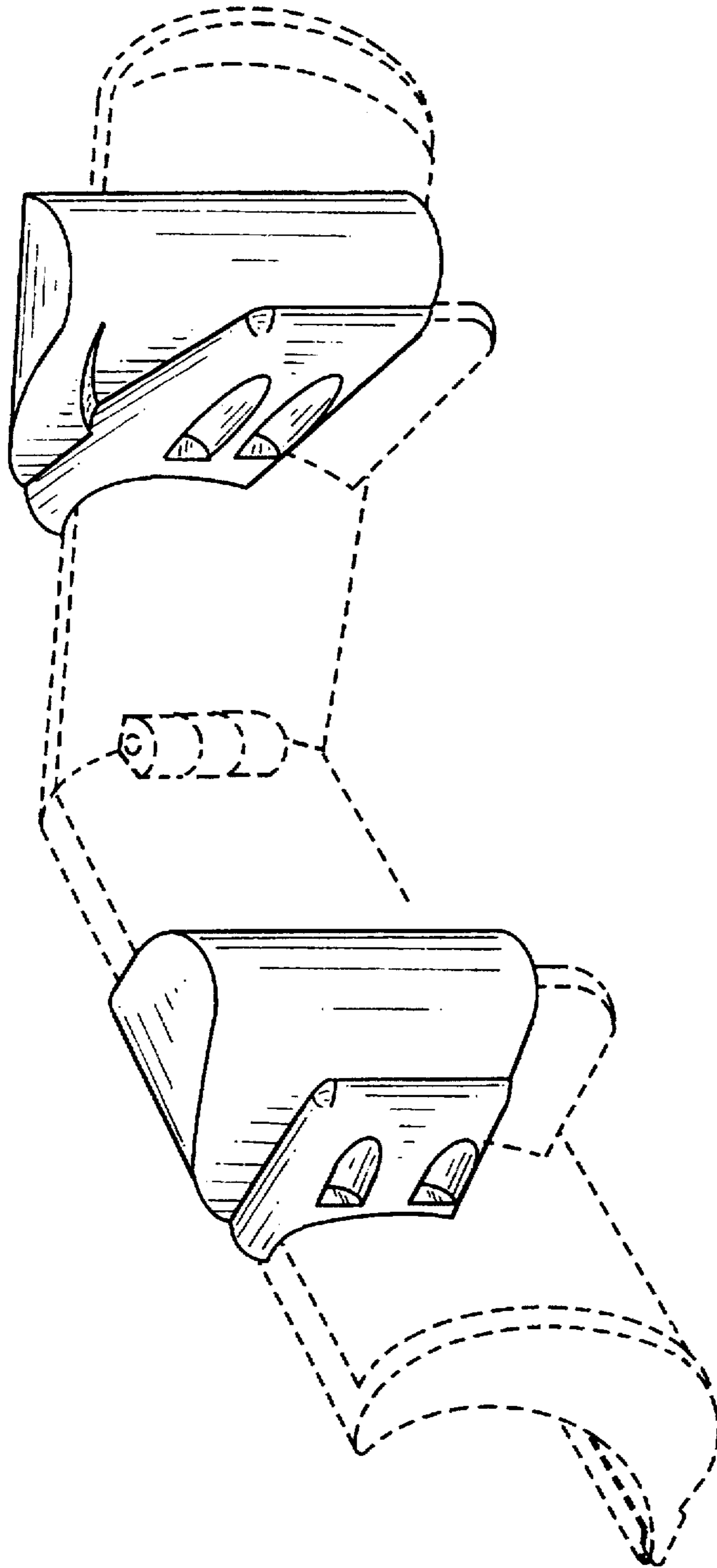


FIG. 1

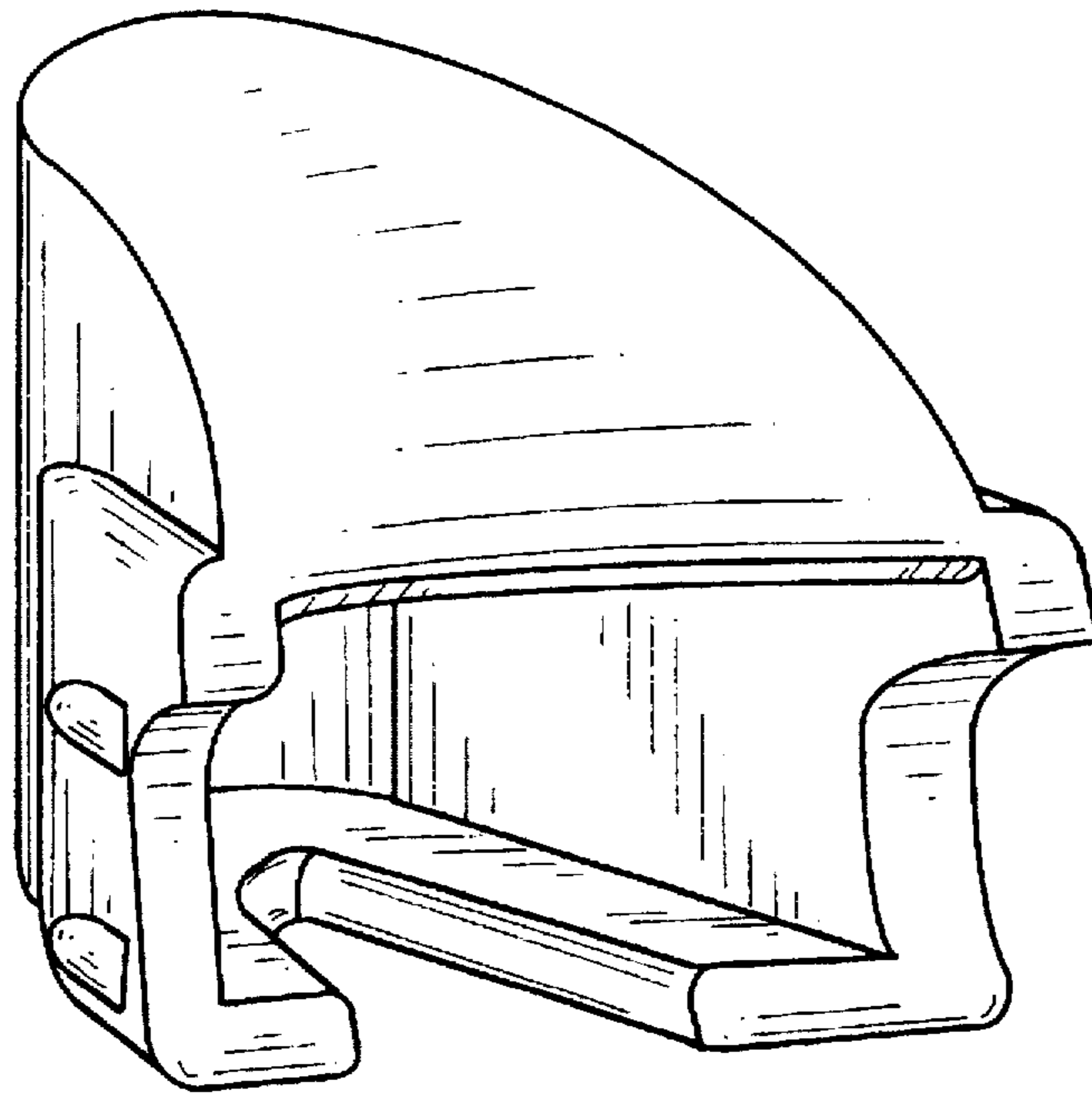


FIG. 2

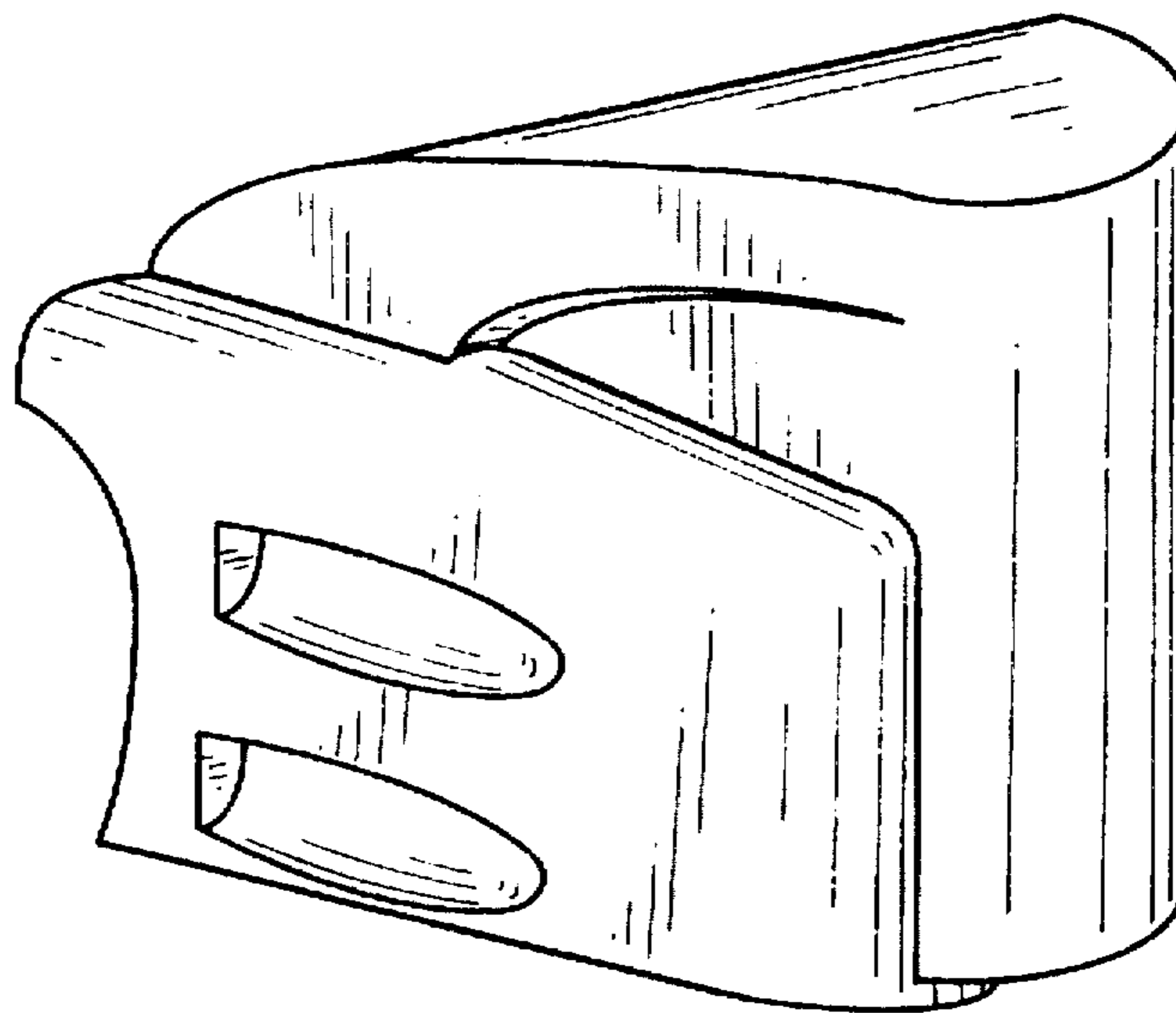


FIG. 3

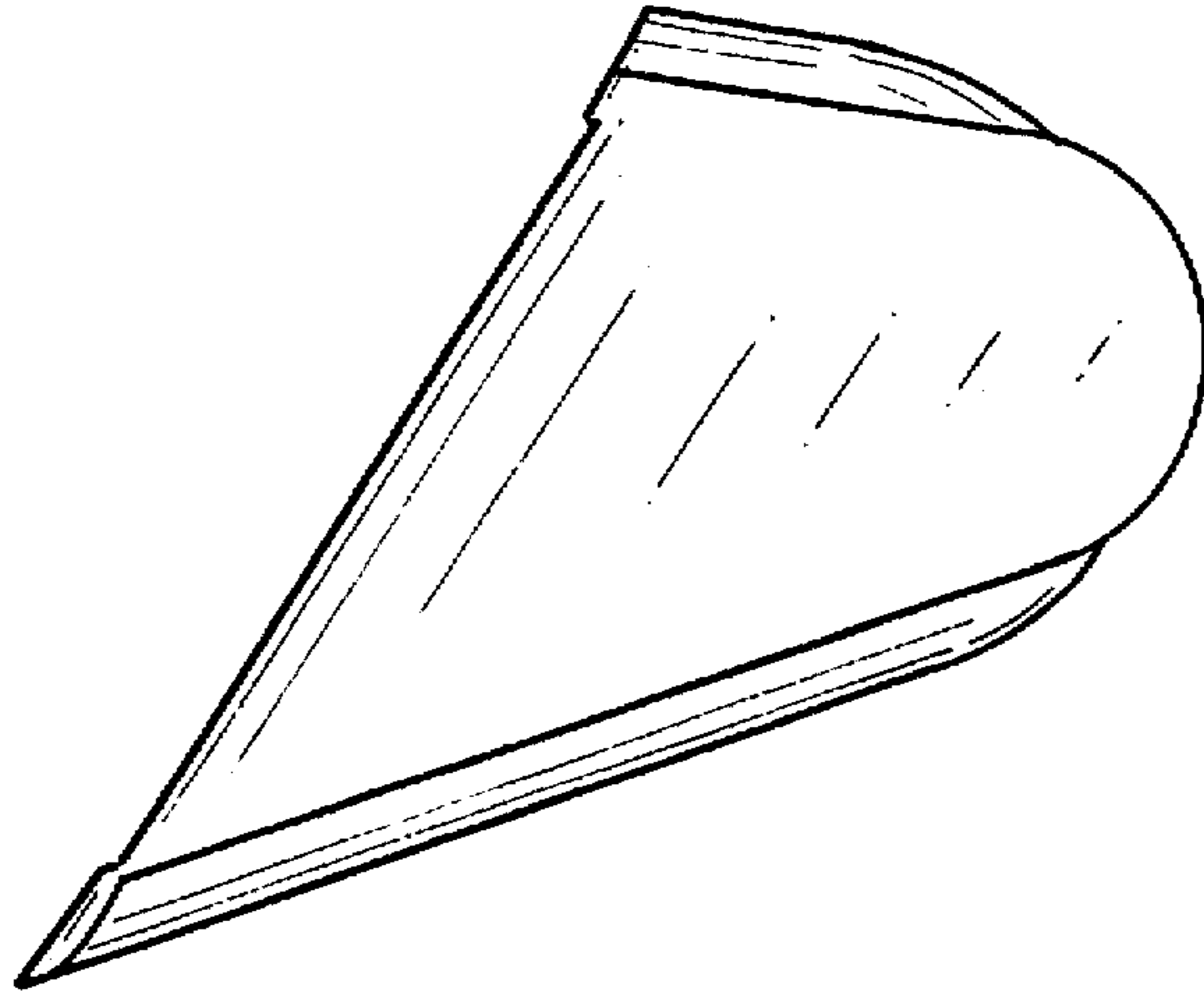


FIG. 4

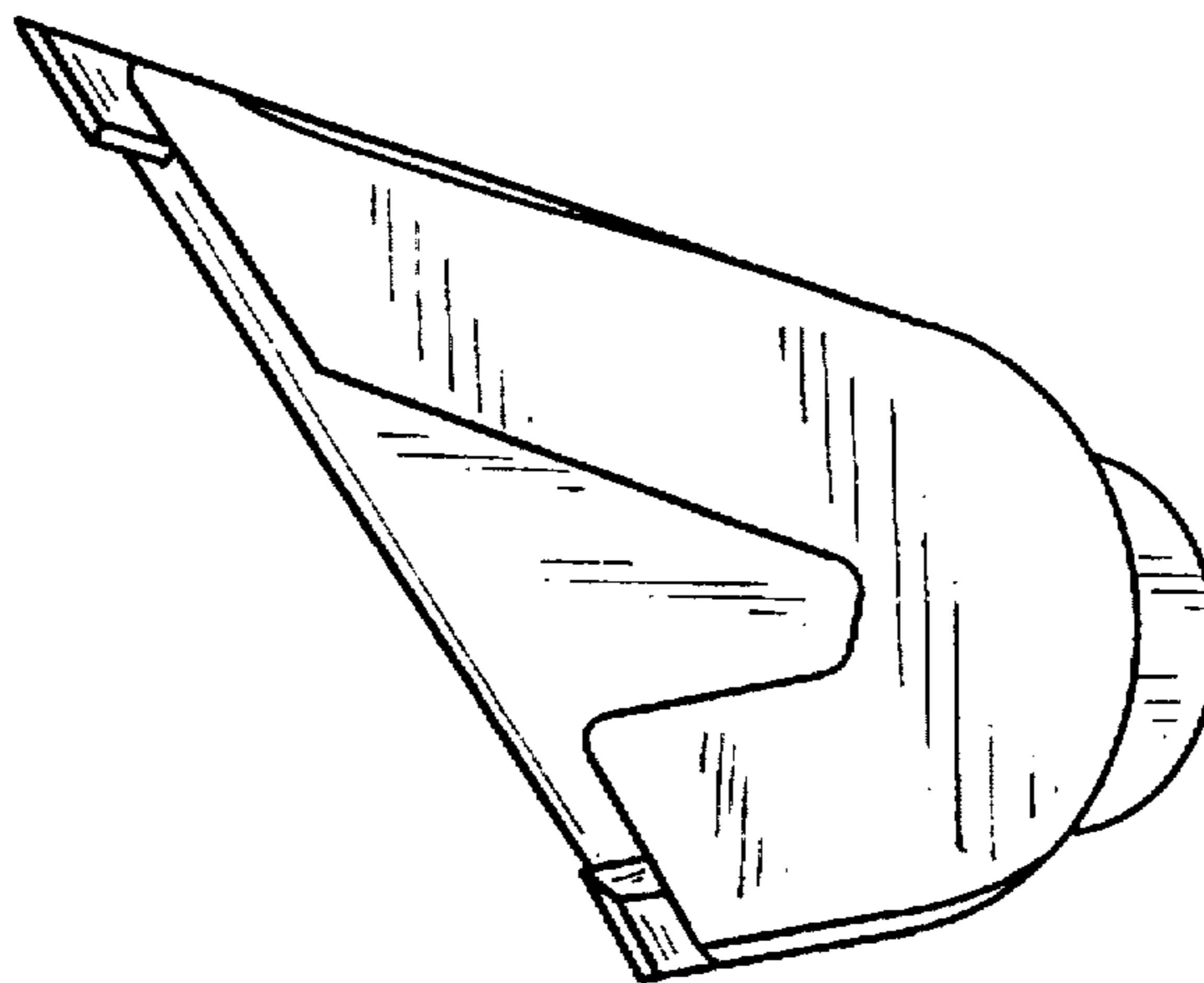


FIG. 5

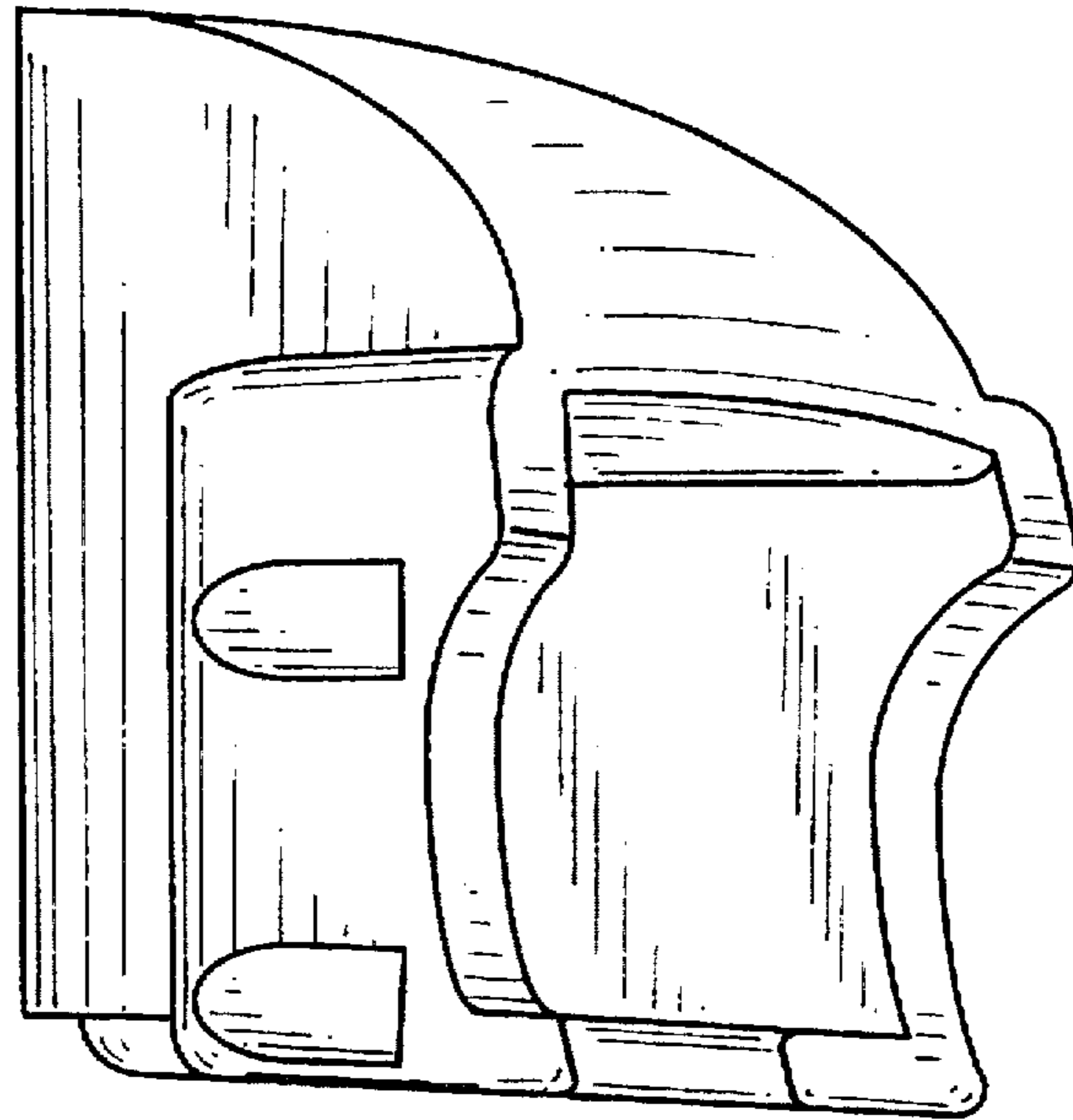


FIG. 6

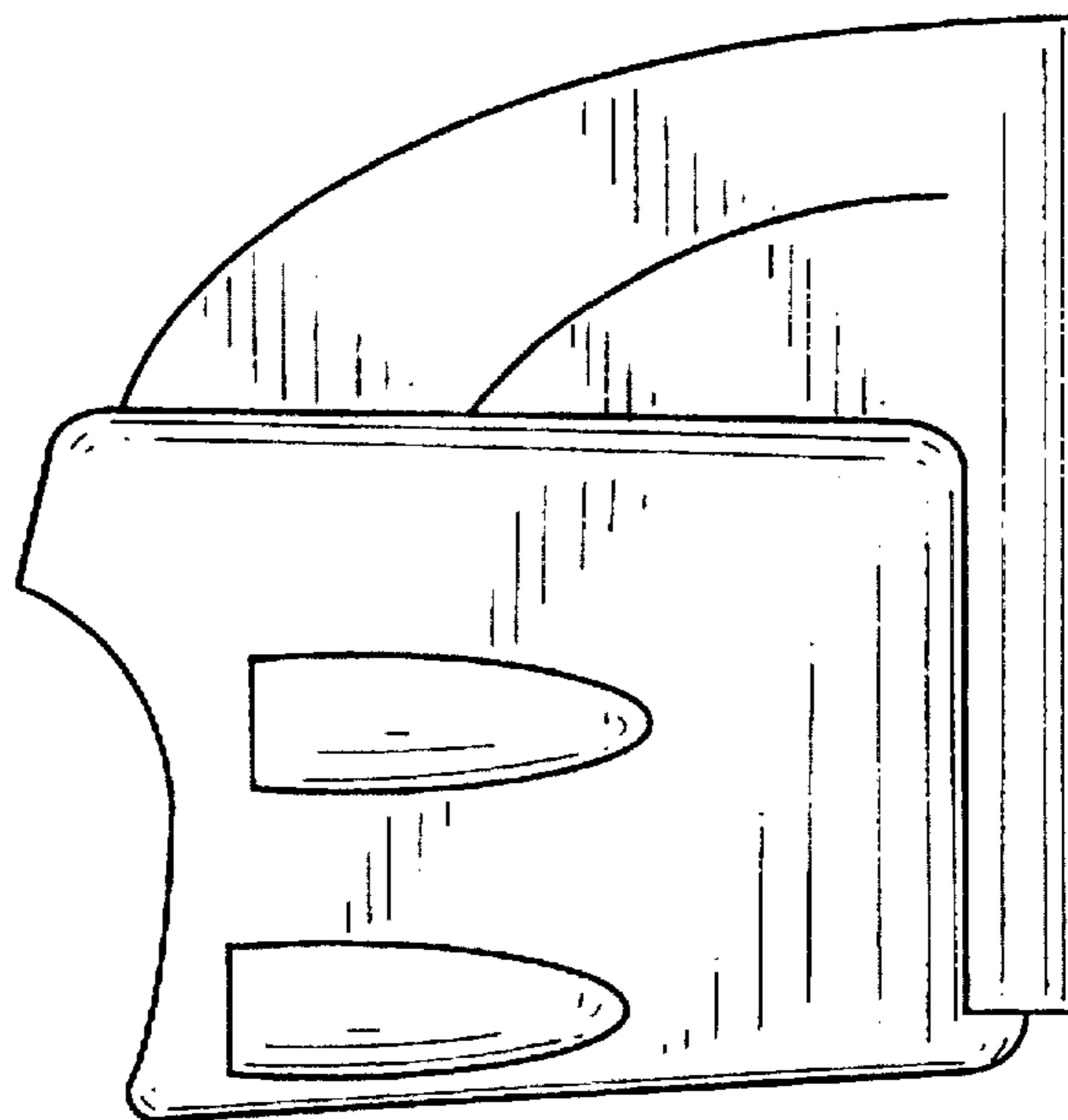


FIG. 7

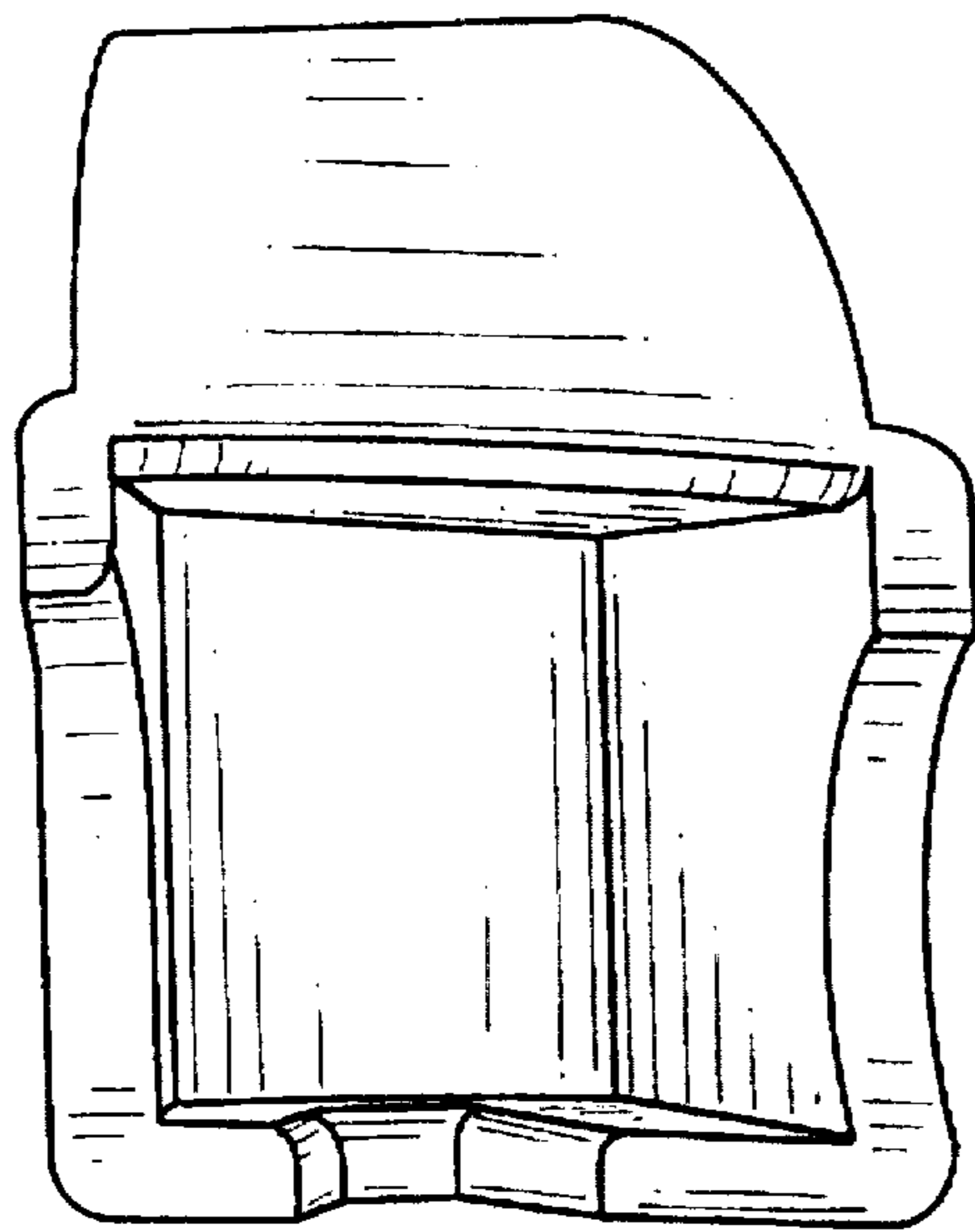


FIG. 8

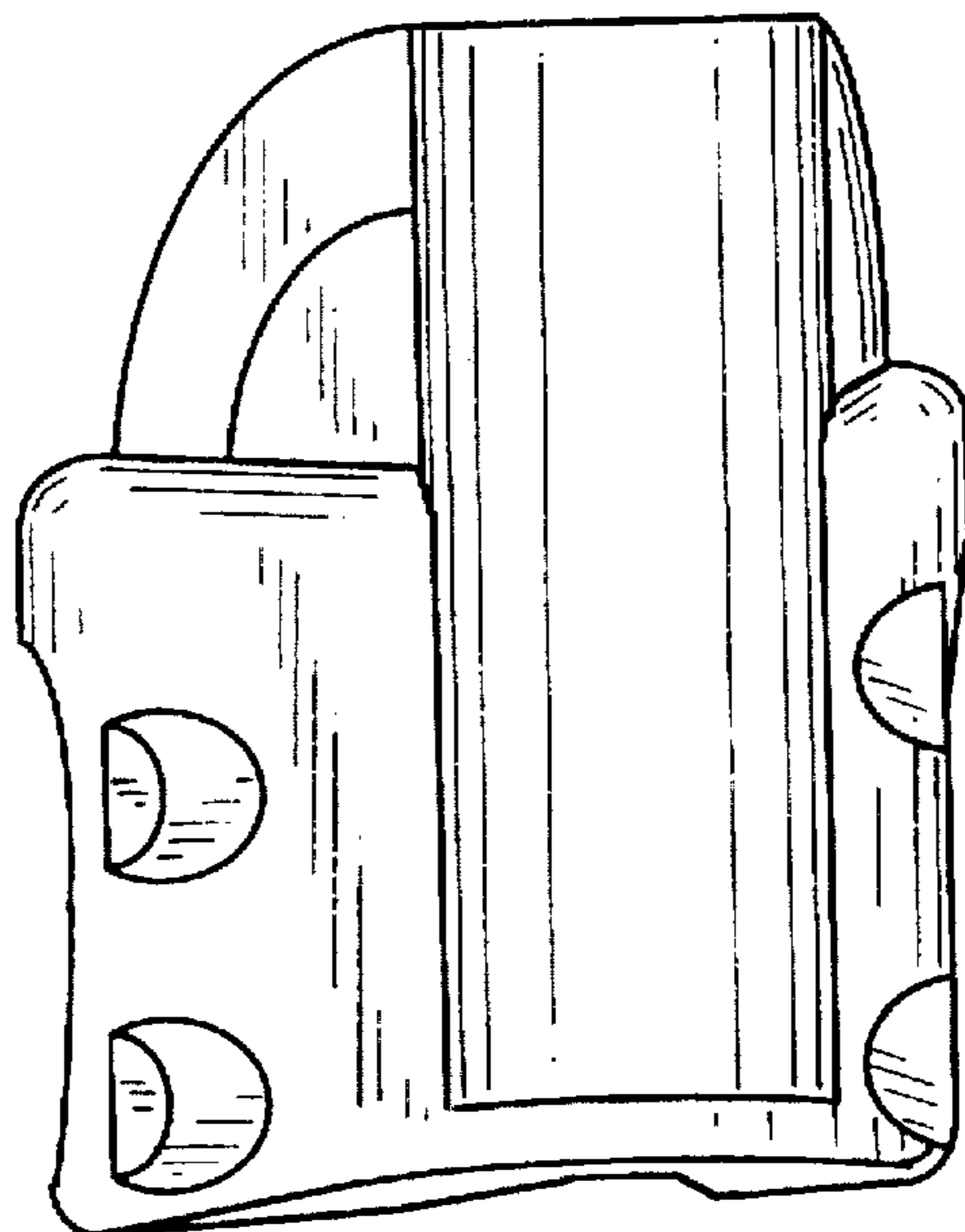


FIG. 9

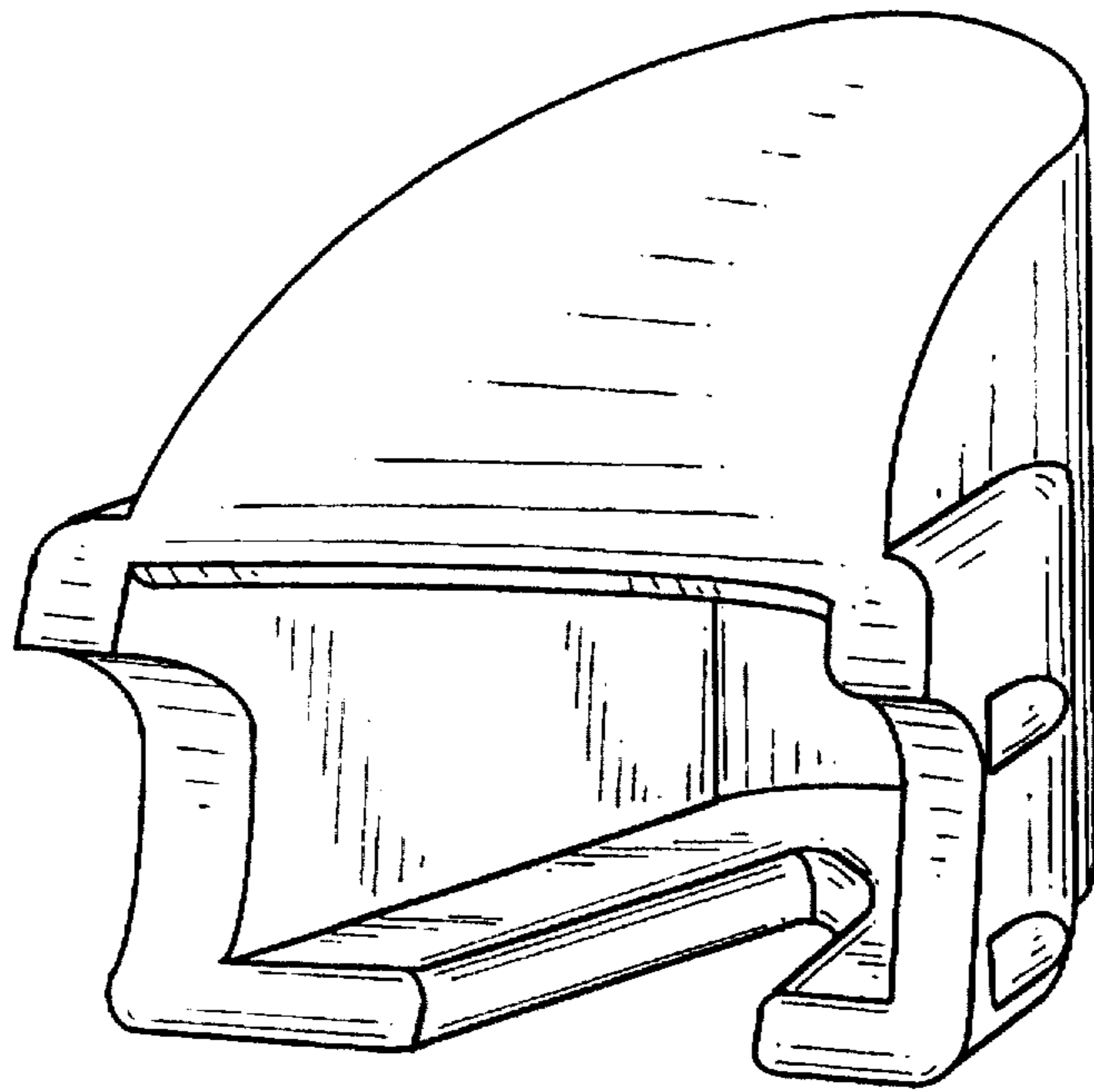


FIG. 10

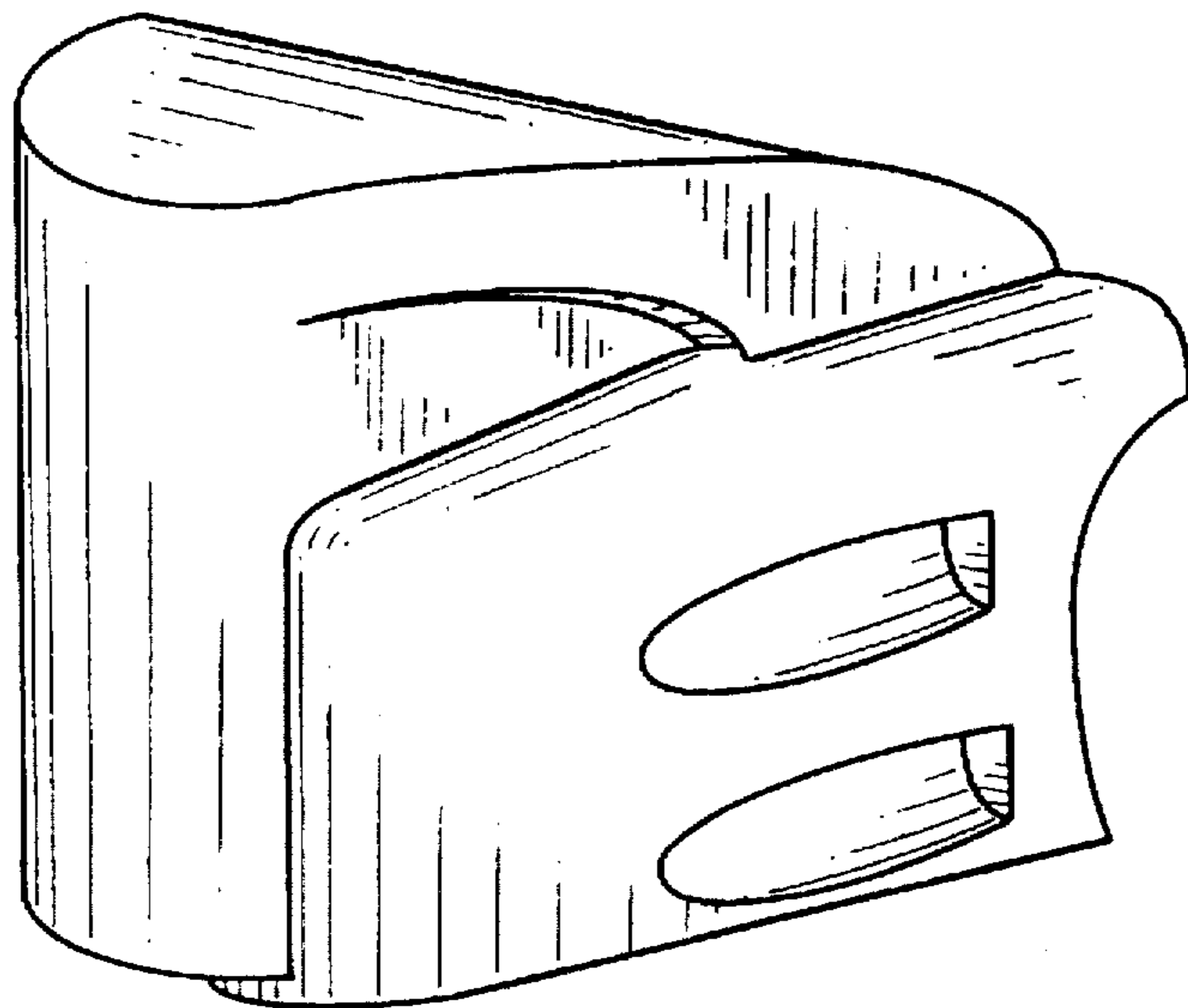


FIG. 11

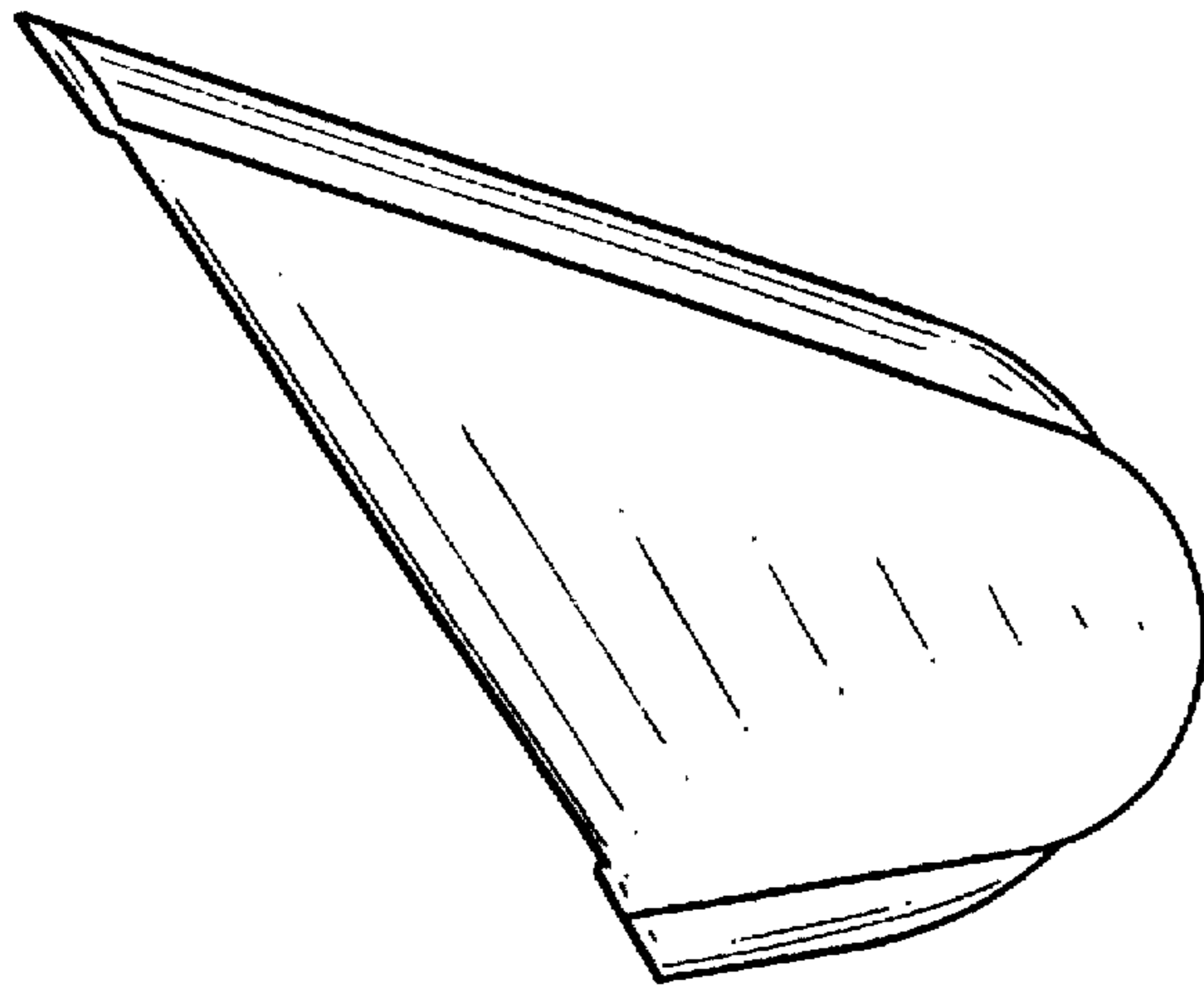


FIG. 12

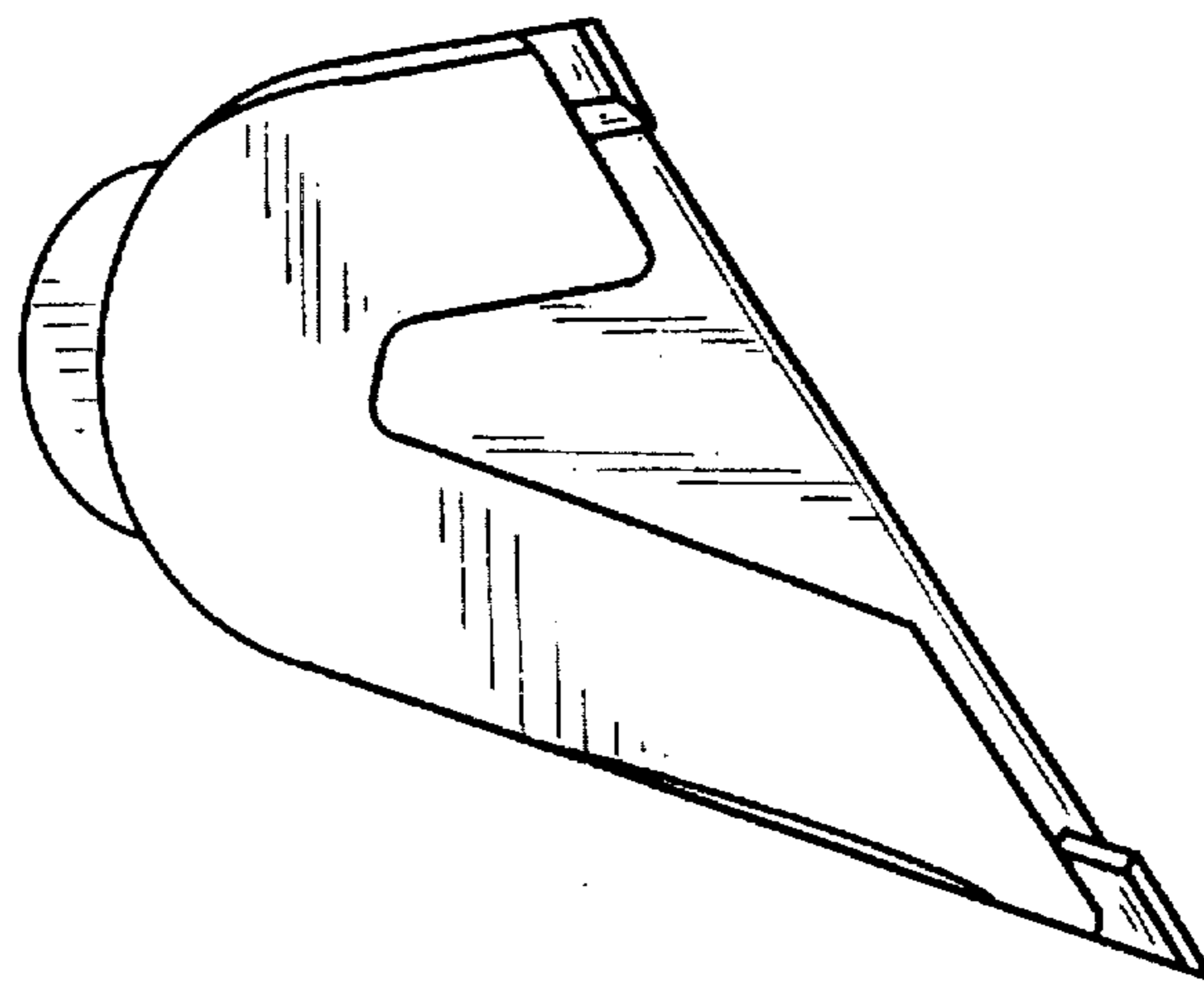


FIG. 13

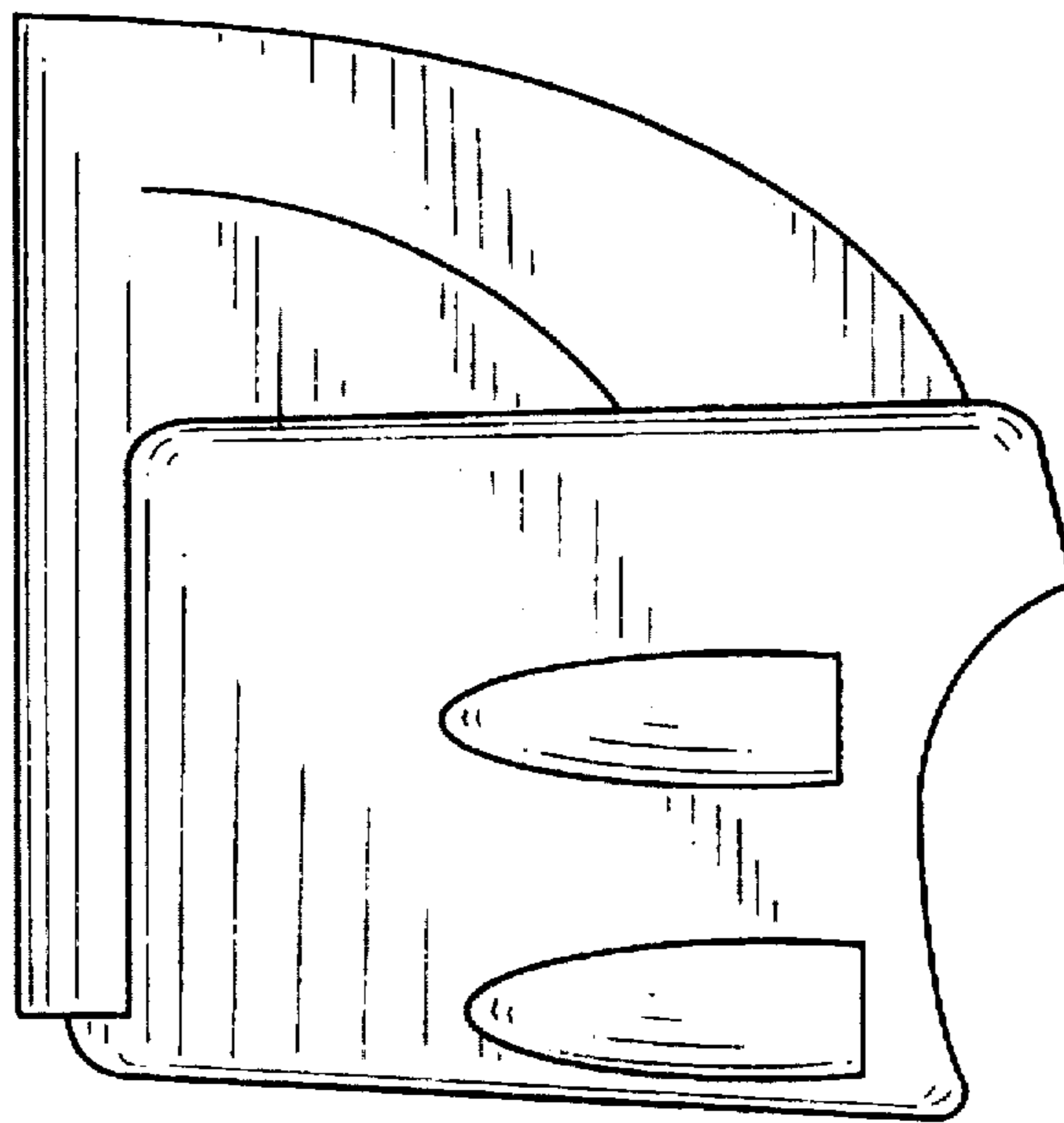


FIG. 14

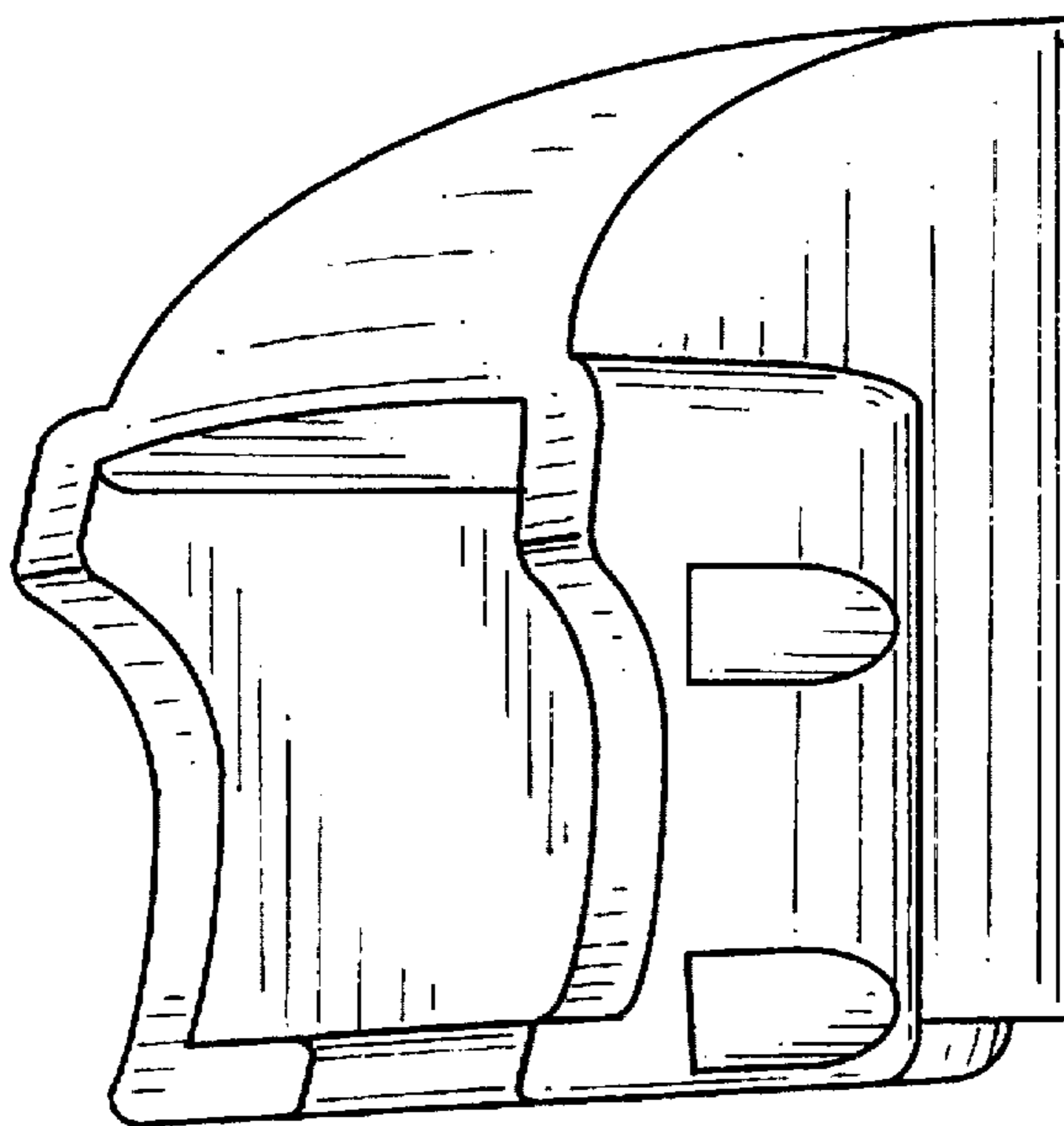


FIG. 15

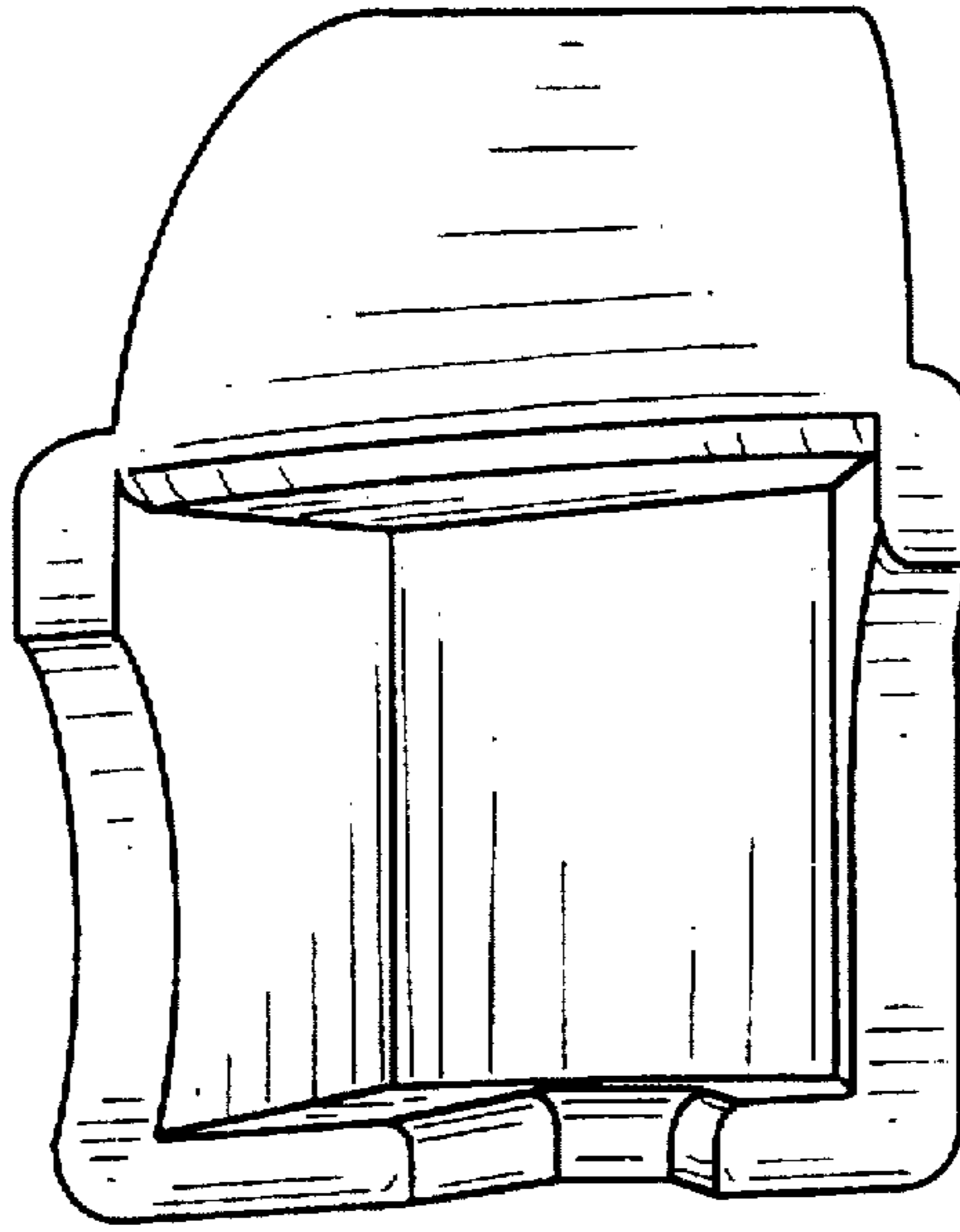


FIG. 16

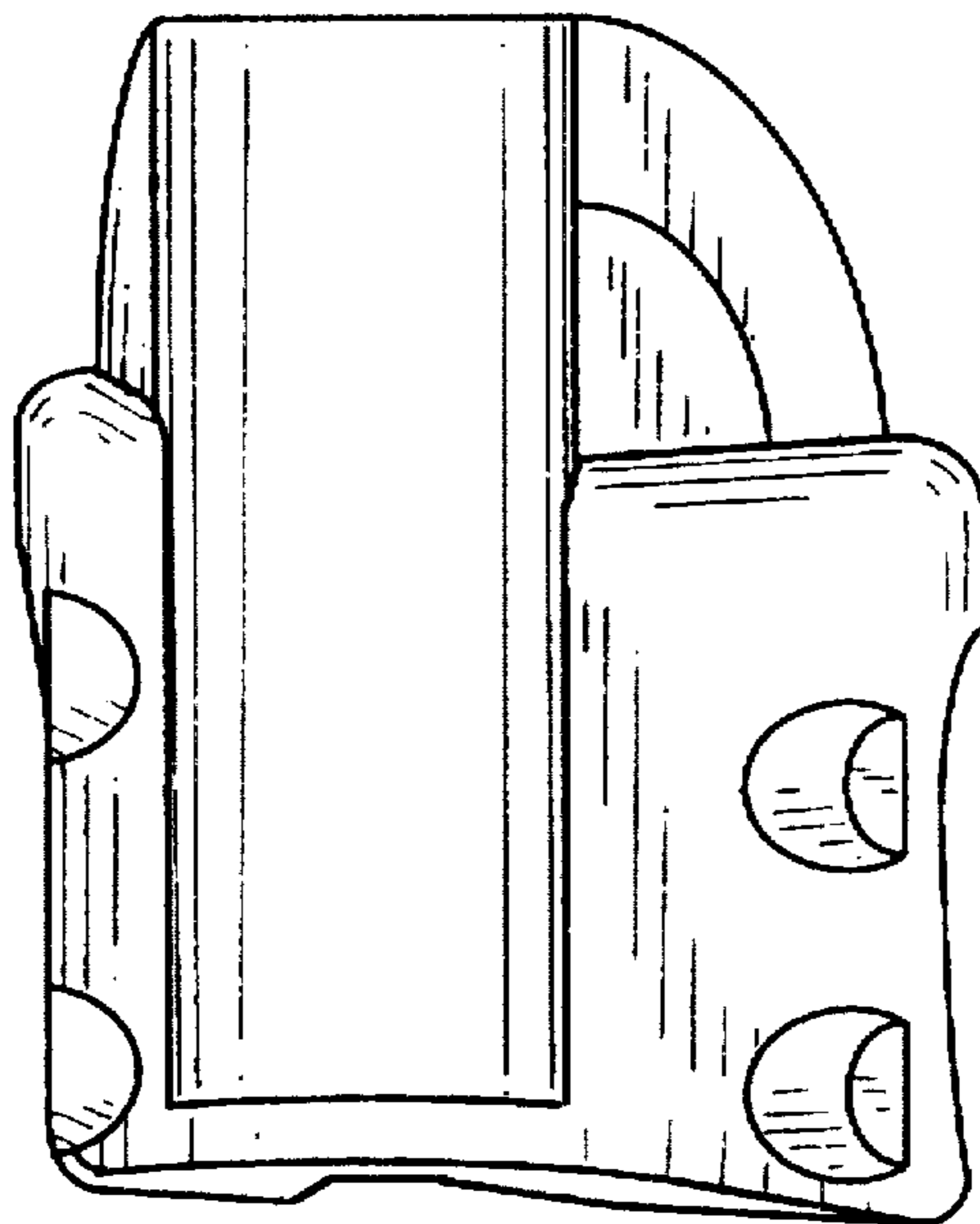


FIG. 17