



US00D391270S

# United States Patent [19] Chowdhury

[11] Patent Number: Des. 391,270  
[45] Date of Patent: \*\*Feb. 24, 1998

[54] VACUUM PUMP

[75] Inventor: Mofazzal H. Chowdhury, Sun Prairie, Wis.

[73] Assignee: Alfa Laval Agri, Inc., Kansas City, Mo.

[\*\*] Term: 14 Years

[21] Appl. No.: 64,923

[22] Filed: Jan. 14, 1997

[51] LOC (6) Cl. .... 15-02

[52] U.S. Cl. .... D15/7

[58] Field of Search ..... D15/7-9; 417/68, 417/69, 234, 229, 321, 410, 411, 265, 415, 405, 38, 40, 360

[56] References Cited

U.S. PATENT DOCUMENTS

- D. 352,041 11/1994 Hanson ..... D15/7
- D. 357,687 4/1995 Jensen ..... D15/7
- D. 364,172 11/1995 Jensen et al. .... D15/7
- 4,631,006 12/1986 Murry ..... 417/234

OTHER PUBLICATIONS

Exhibit 1: Brochure pages (2) showing Alfa Laval Agri, Inc. rotary vane vacuum suppliers, publication date unknown but prior to 1997.  
 Exhibit 2: Brochure page showing Alfa Laval Agri, Inc. LVP vacuum supplier system, publication date unknown but prior to 1997.

Exhibit 3: Brochure page showing Alfa Laval Agri, Inc. water ring suppliers, publication date unknown but prior to 1997.

Exhibit 4: Brochure page showing Waikato Vacuum Pumps, publication date unknown but prior to 1997.

Exhibit 5: Brochure page showing Strangko Vacuum Pump Assemblies, publication date unknown but prior to 1997.

Exhibit 6: Brochure page showing Elmira Machine Industries, Inc. Vacuum Pump Assembly, publication date unknown, but prior to 1997.

Exhibit 7: Brochure page showing Schlueter Vacuum Pump Assembly, publication date unknown but prior to 1997.

Exhibit 8: Brochure page showing Universal Dairy Equipment, Inc. Vacuum Pump Assembly, dated Jun. 1989.

Exhibit 9: Brochure page showing Westfalia Vacuum Pump Systems, publication date unknown but prior to 1997.

Primary Examiner—Ralf Seifert

Attorney, Agent, or Firm—Foley & Lardner

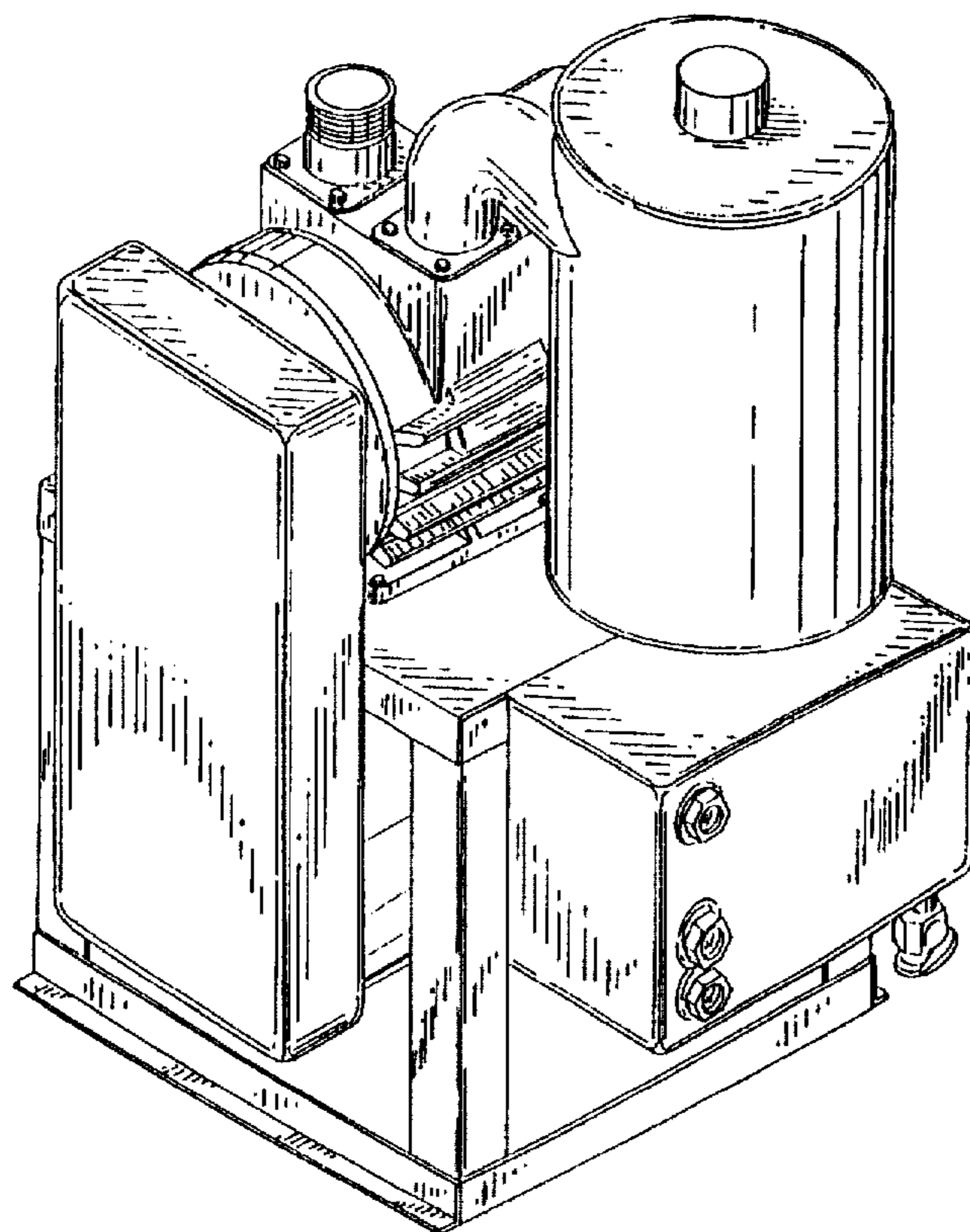
[57] CLAIM

The ornamental design for a vacuum pump, as shown and described.

DESCRIPTION

FIG. 1 is a perspective view of a vacuum pump, showing my new design;  
 FIG. 2 is a front elevational view thereof;  
 FIG. 3 is a right side elevational view thereof;  
 FIG. 4 is a left side elevational view thereof;  
 FIG. 5 is a rear elevational view thereof; and,  
 FIG. 6 is a top plan view thereof.

1 Claim, 4 Drawing Sheets



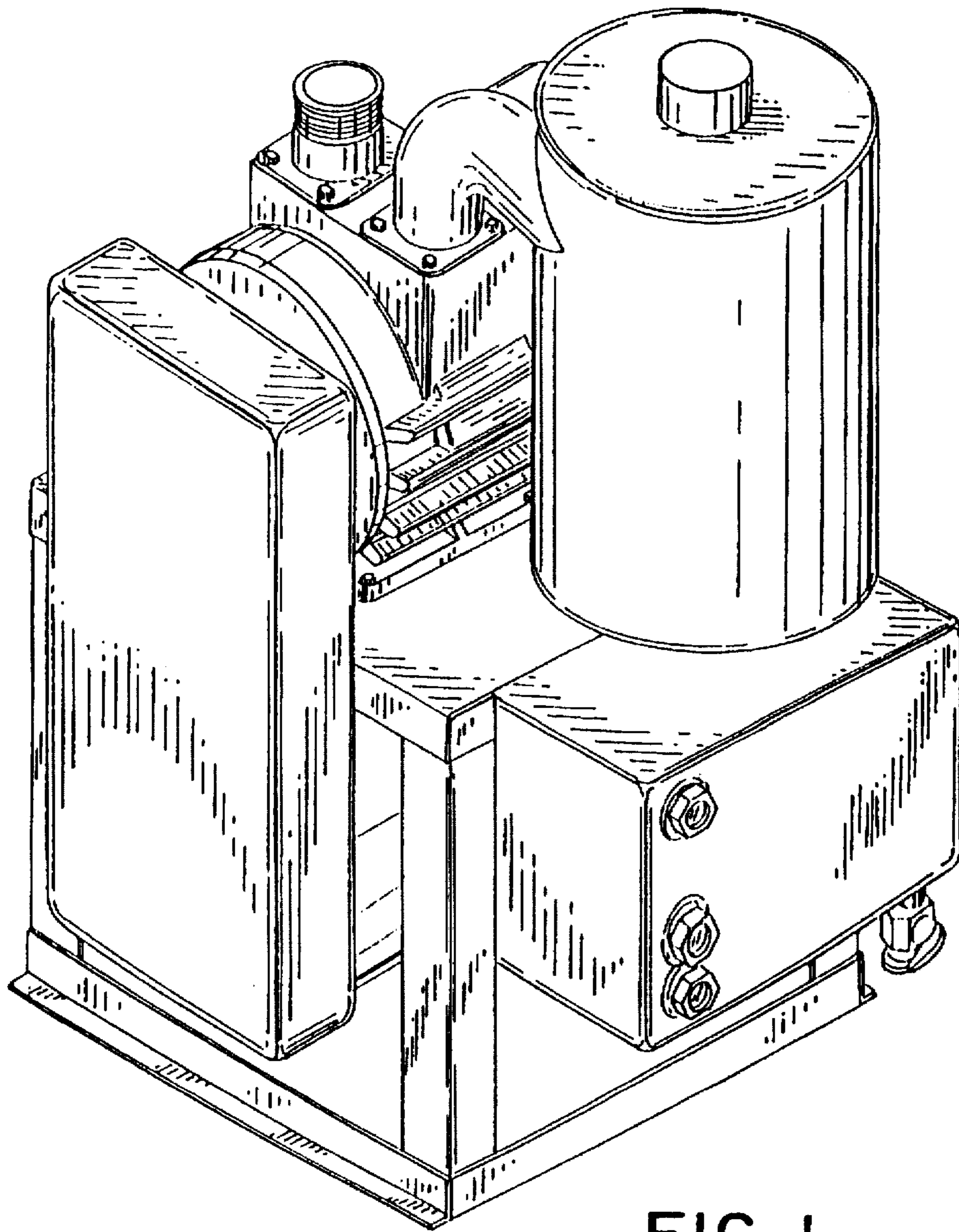


FIG. 1

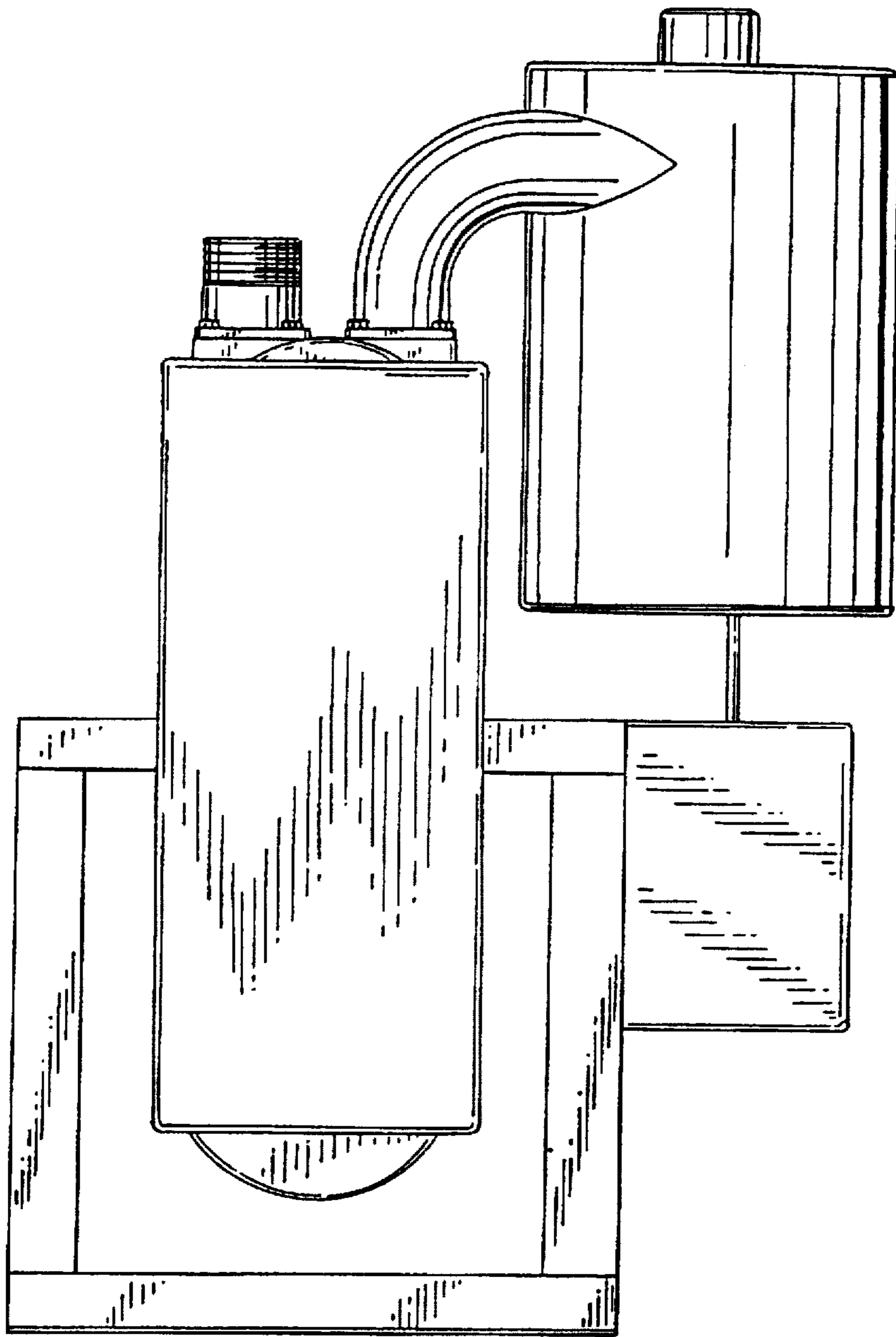


FIG. 2

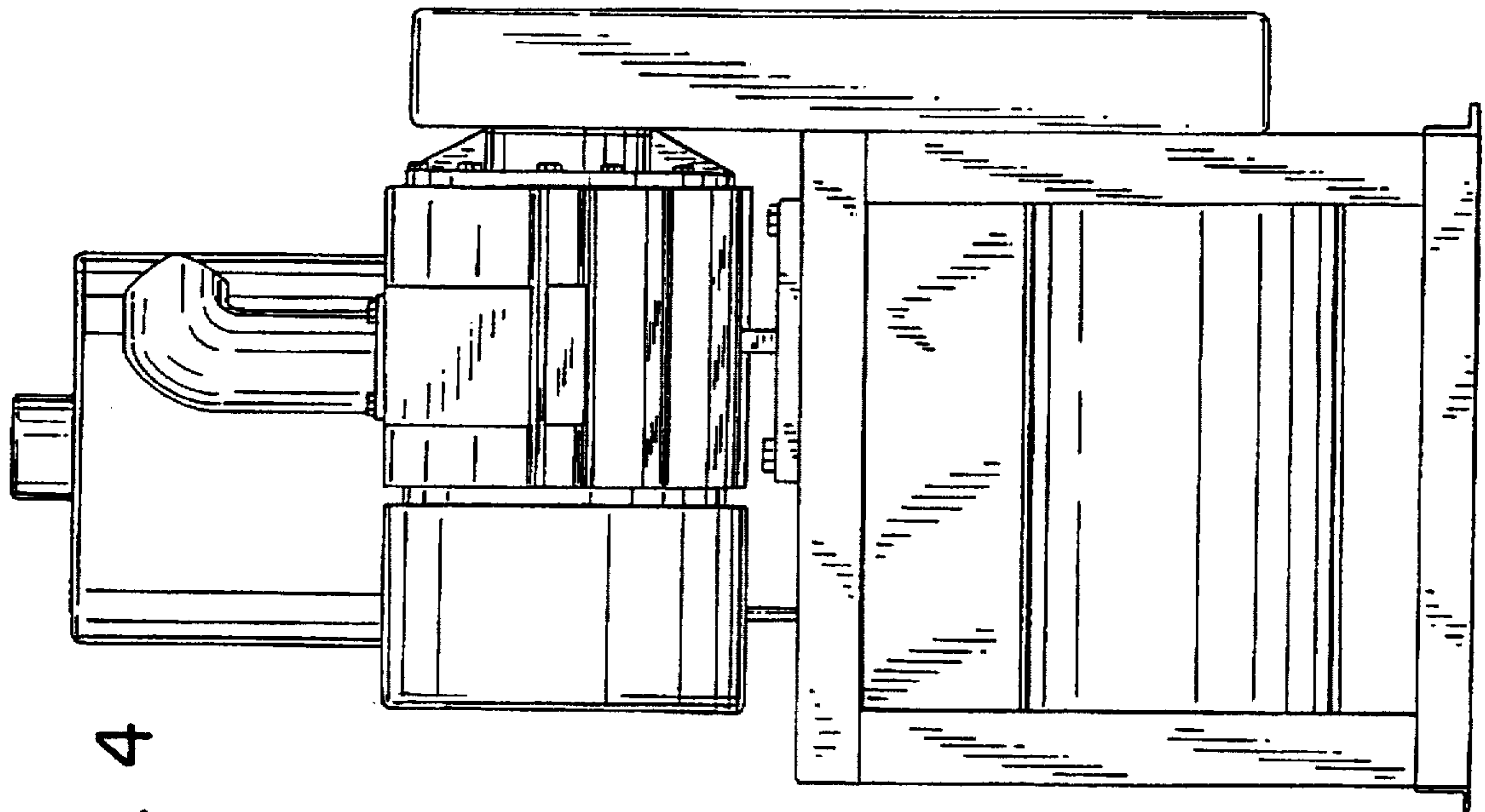


FIG. 4

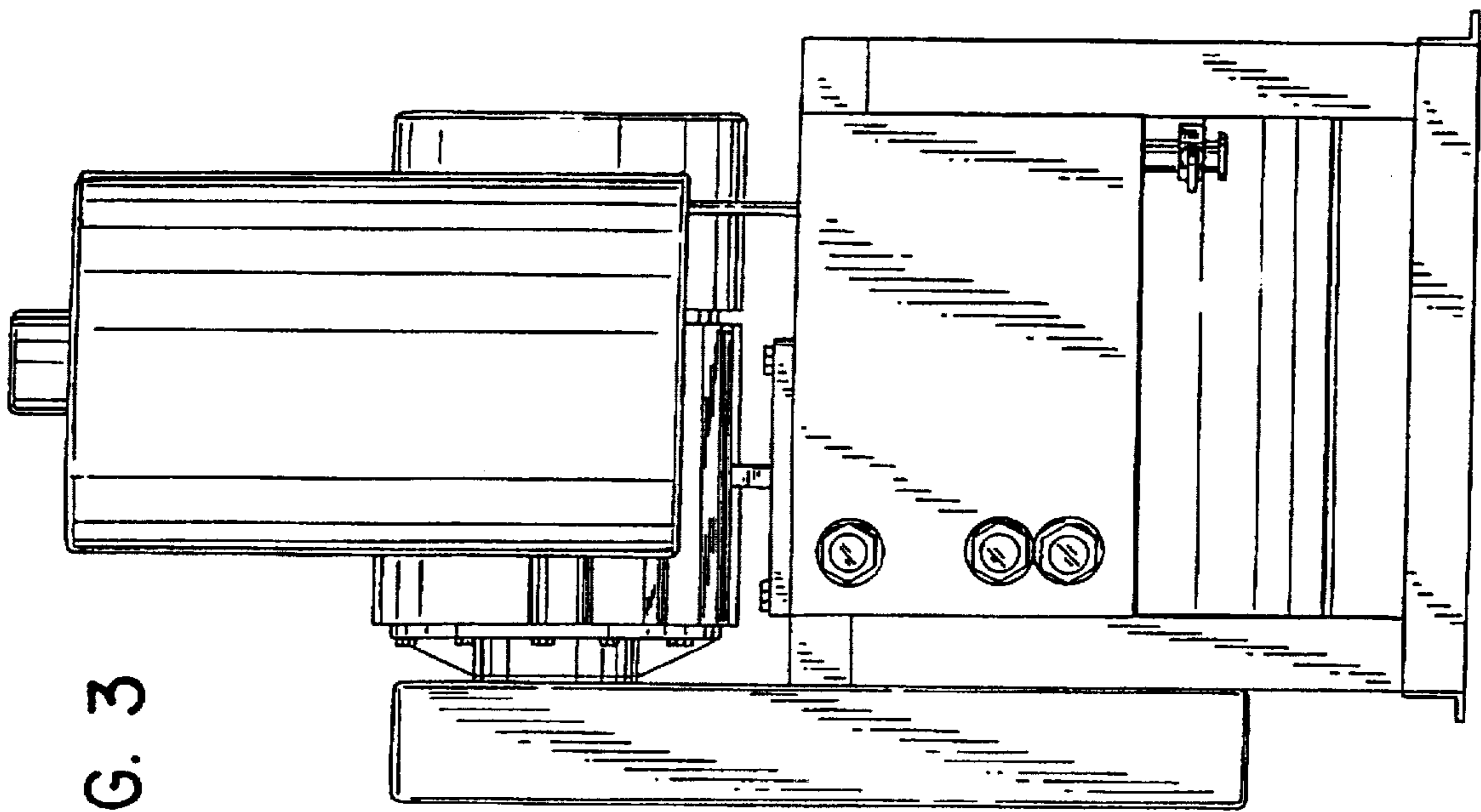


FIG. 3

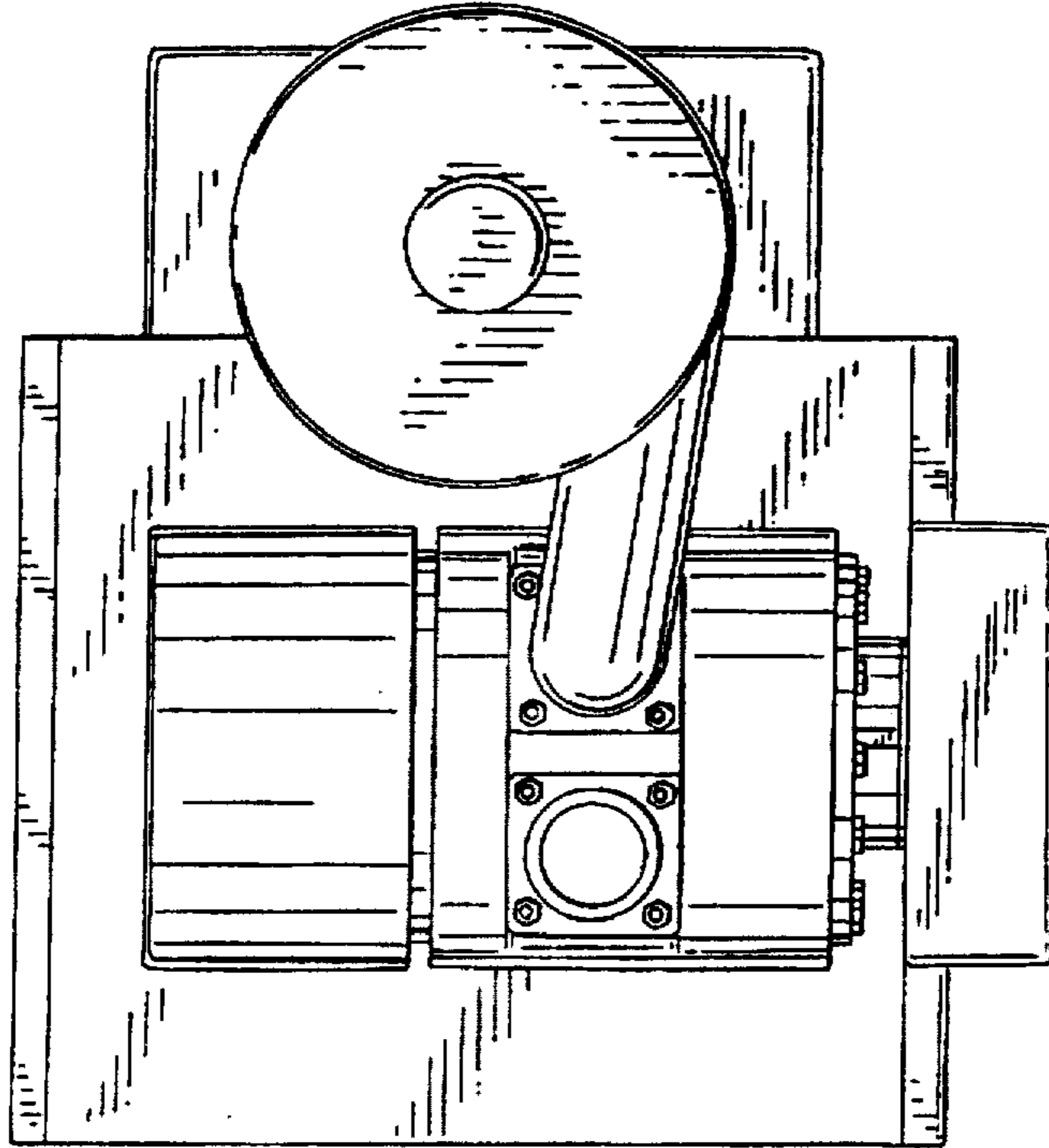


FIG. 6

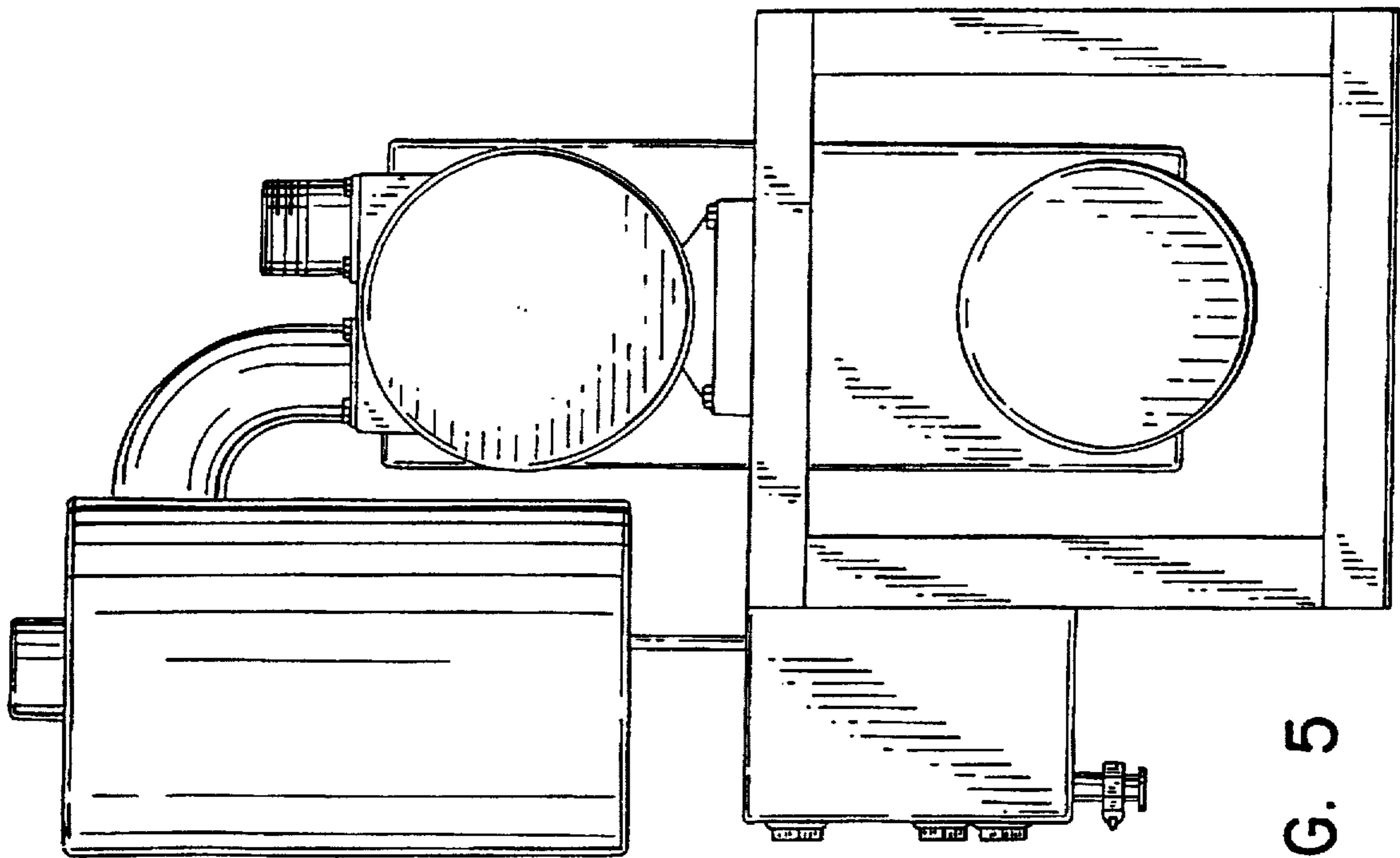


FIG. 5