



US00D391266S

United States Patent [19]

[11] Patent Number: **Des. 391,266**

Richter

[45] Date of Patent: ****Feb. 24, 1998**

[54] **DUAL HINGE MOUNTING BRACKET WITH TELEPHONE HOLDER**

5,457,745	10/1995	Wang	379/446	X
5,471,530	11/1995	Chen	379/454	X
5,555,302	9/1996	Wang	379/454	X
5,606,608	2/1997	Krutke	379/455	X

[76] Inventor: **Herbert Richter**, Drosselweg 8, 75331 Engelbrand, Germany

FOREIGN PATENT DOCUMENTS

[**] Term: **14 Years**

5-167657 7/1993 Japan 379/455

[21] Appl. No.: **73,523**

Primary Examiner—Jeffrey Asch
Attorney, Agent, or Firm—Klaus J. Bach

[22] Filed: **Jul. 14, 1997**

[57] CLAIM

[51] LOC (6) Cl. **14-03**

The ornamental design for a dual hinge mounting bracket with telephone holder, as shown and described.

[52] U.S. Cl. **D14/253**

[58] Field of Search D14/251, 253, D14/140, 240, 149-151, 100, 107, 114, 142, 137, 138; 379/419, 420, 428, 440, 446, 454, 455, 426; D13/107, 108; D8/373; 455/90

DESCRIPTION

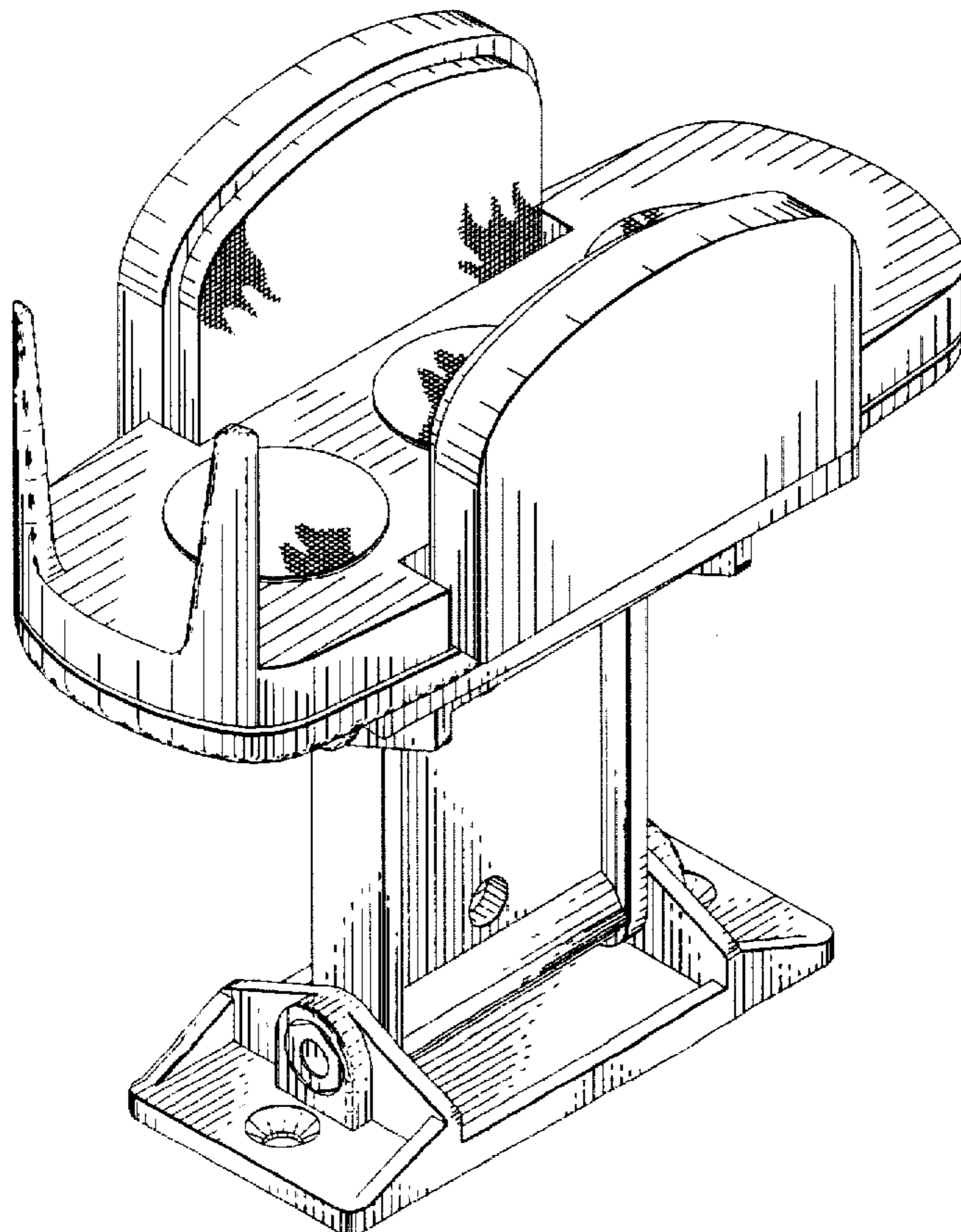
[56] References Cited

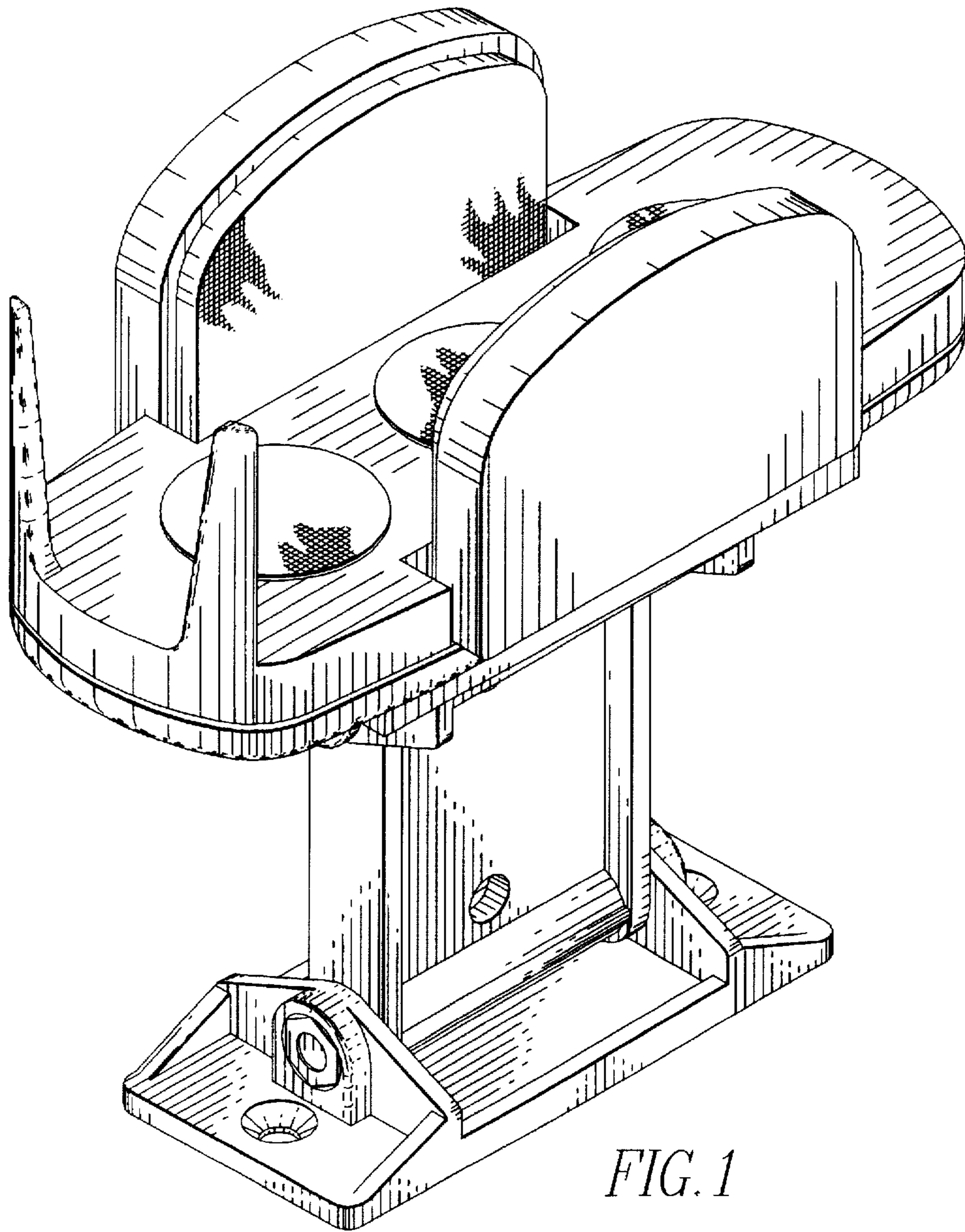
U.S. PATENT DOCUMENTS

D. 187,744	2/1960	Richter	379/455
D. 309,307	7/1990	Sigurdson	D14/253 X
D. 320,991	10/1991	Nagai et al.	D14/253 X
D. 321,885	11/1991	Sheldrake	D14/251 X
D. 367,065	2/1996	Wu	D14/253
D. 379,463	5/1997	Richter	D14/253
5,305,381	4/1994	Wang et al.	379/455
5,349,637	9/1994	Miller	379/454 X
5,379,637	1/1995	Miller	379/454 X
5,392,340	2/1995	Swanson	379/455 X

FIG. 1 is a perspective view of a dual hinge mounting bracket with telephone holder showing my new design; FIG. 2 is a front end view of the dual hinge mounting bracket with telephone holder shown in FIG. 1; FIG. 3 is a rear end view of the dual hinge mounting bracket with telephone holder shown in FIG. 1; FIG. 4 is a side view of the dual hinge mounting bracket with telephone holder as seen from the left side of FIG. 3; FIG. 5 is a side view of the dual hinge mounting bracket with telephone holder as seen from the right side of FIG. 3; FIG. 6 is a top view of the dual hinge mounting bracket with telephone holder shown in FIG. 1; and, FIG. 7 is a bottom view of the dual hinge mounting bracket with telephone holder shown in FIG. 1.

1 Claim, 5 Drawing Sheets





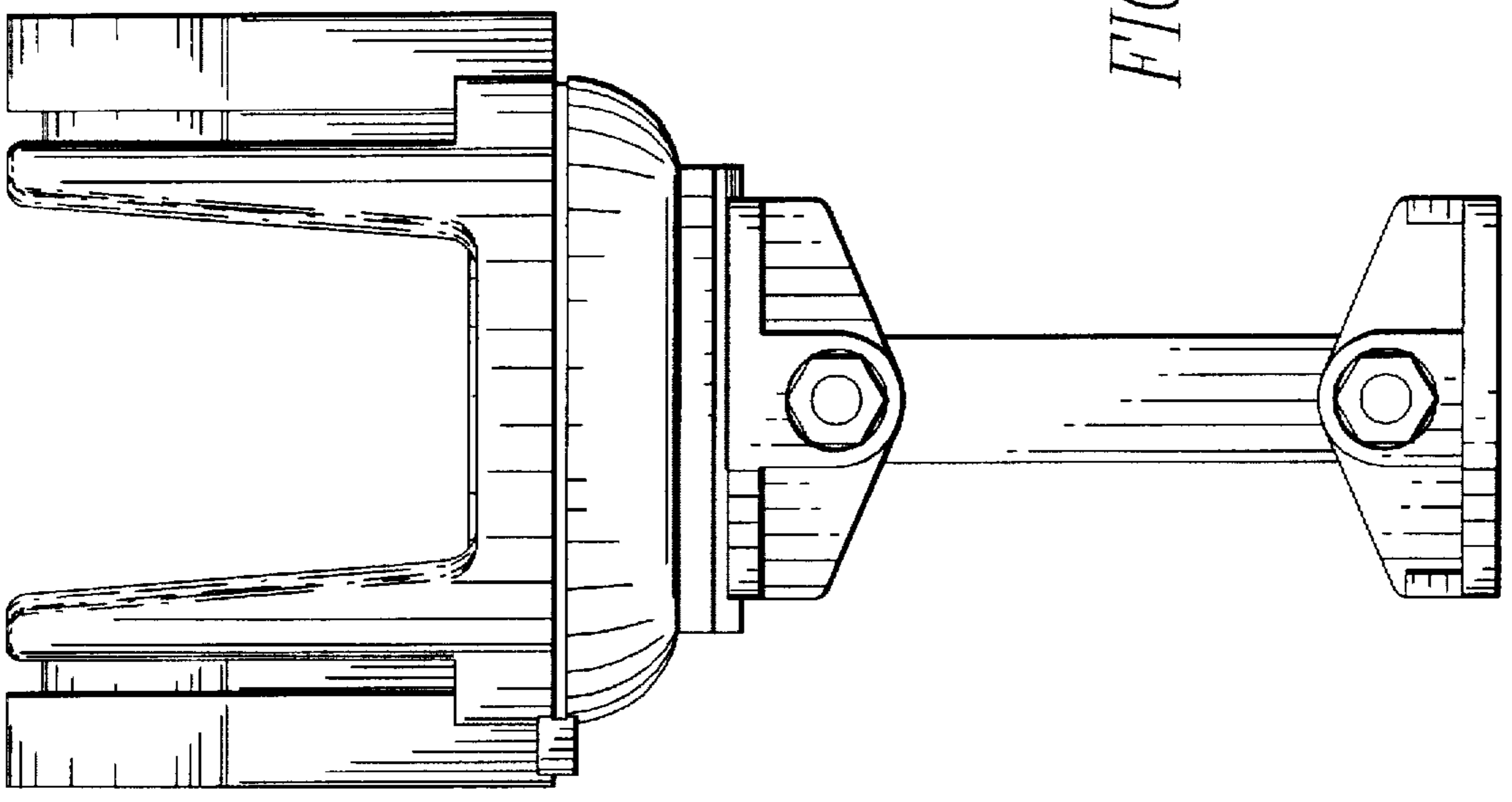


FIG. 3

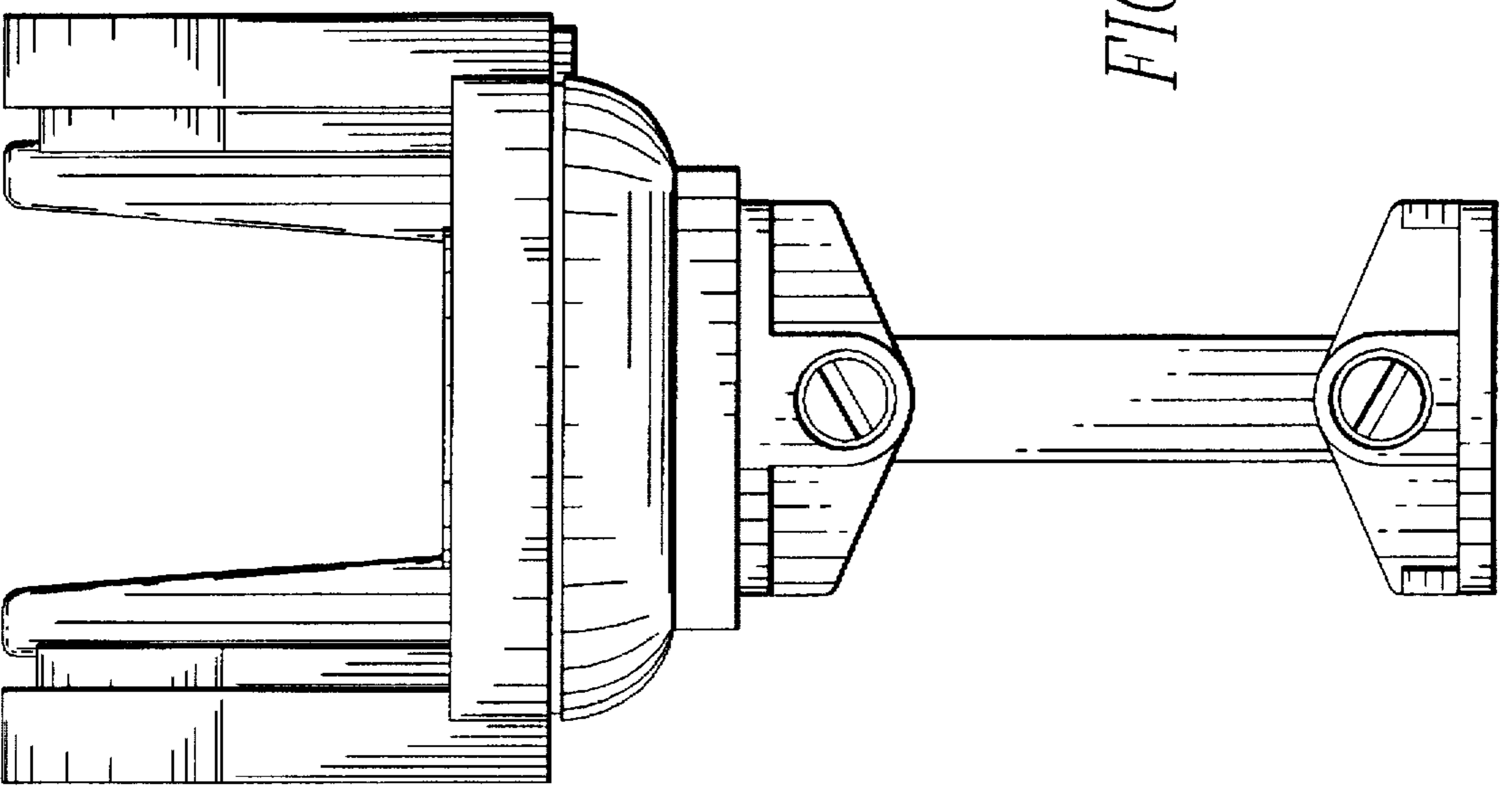
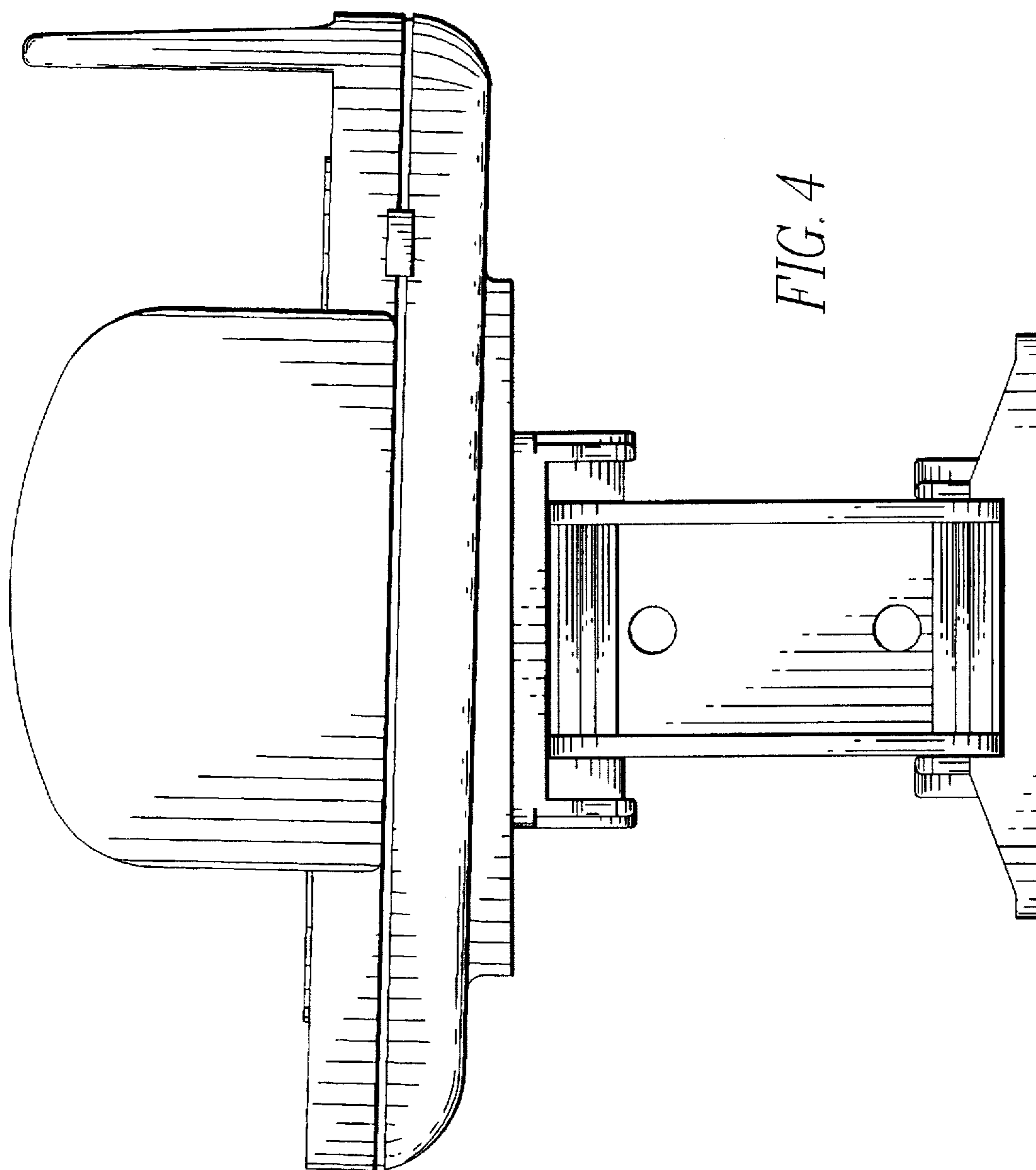


FIG. 2



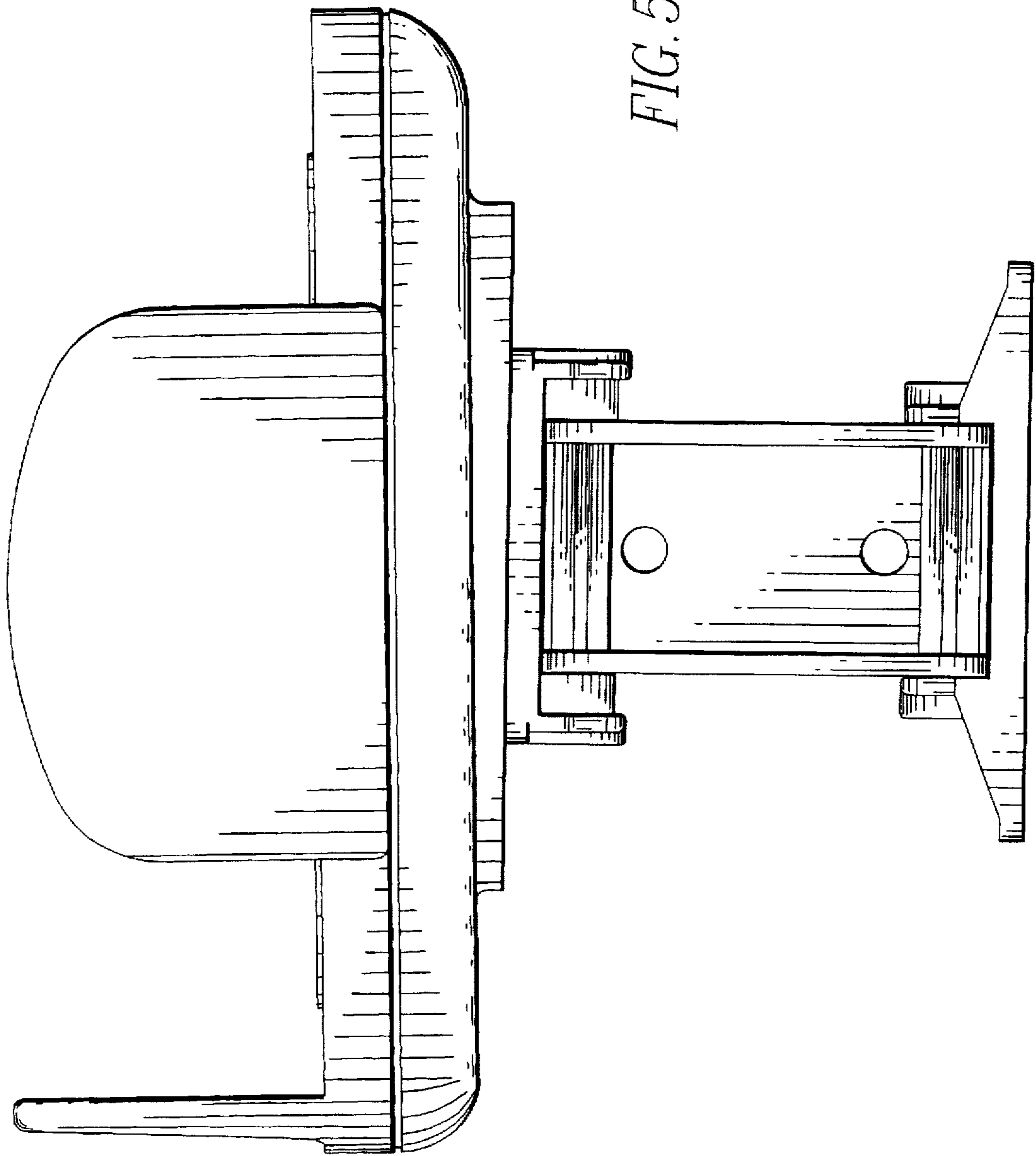


FIG. 5

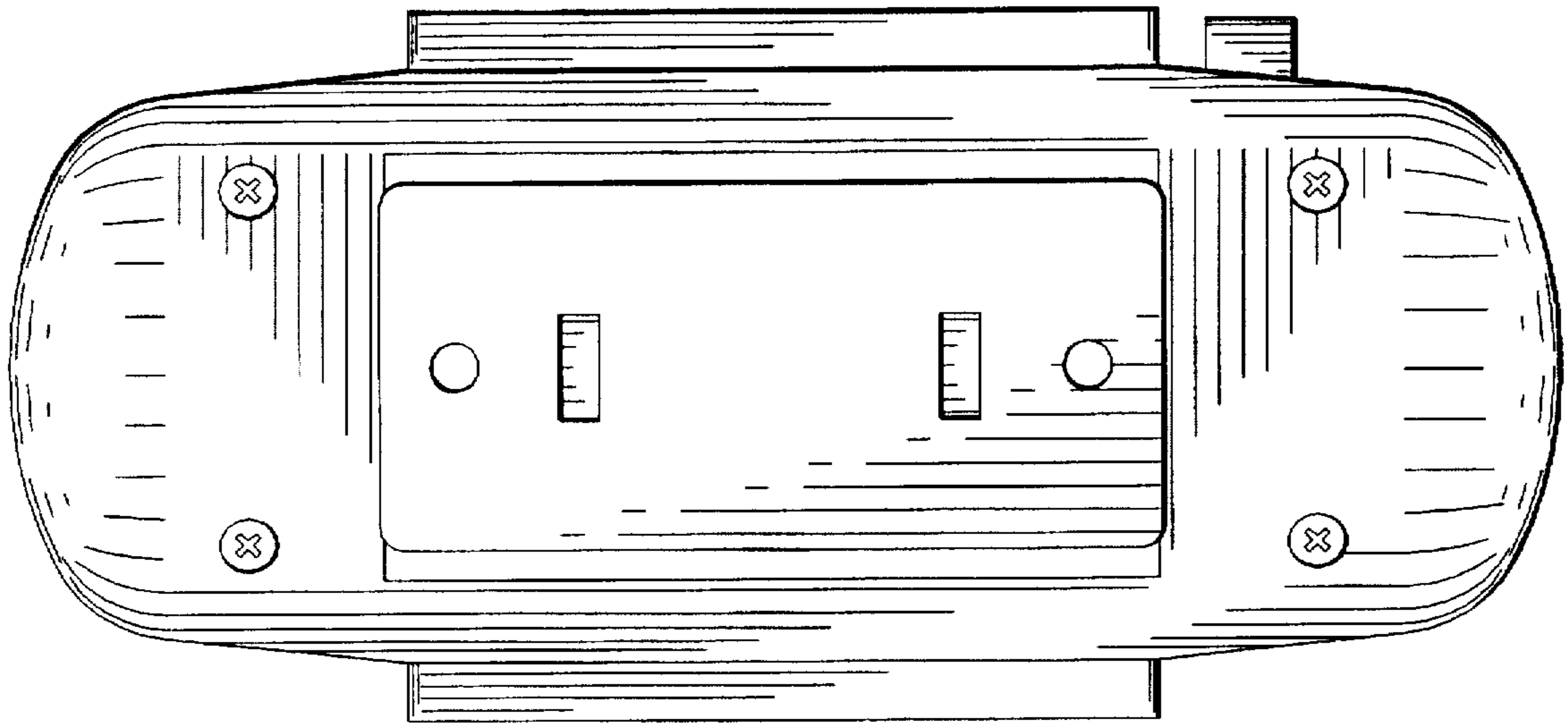


FIG. 7

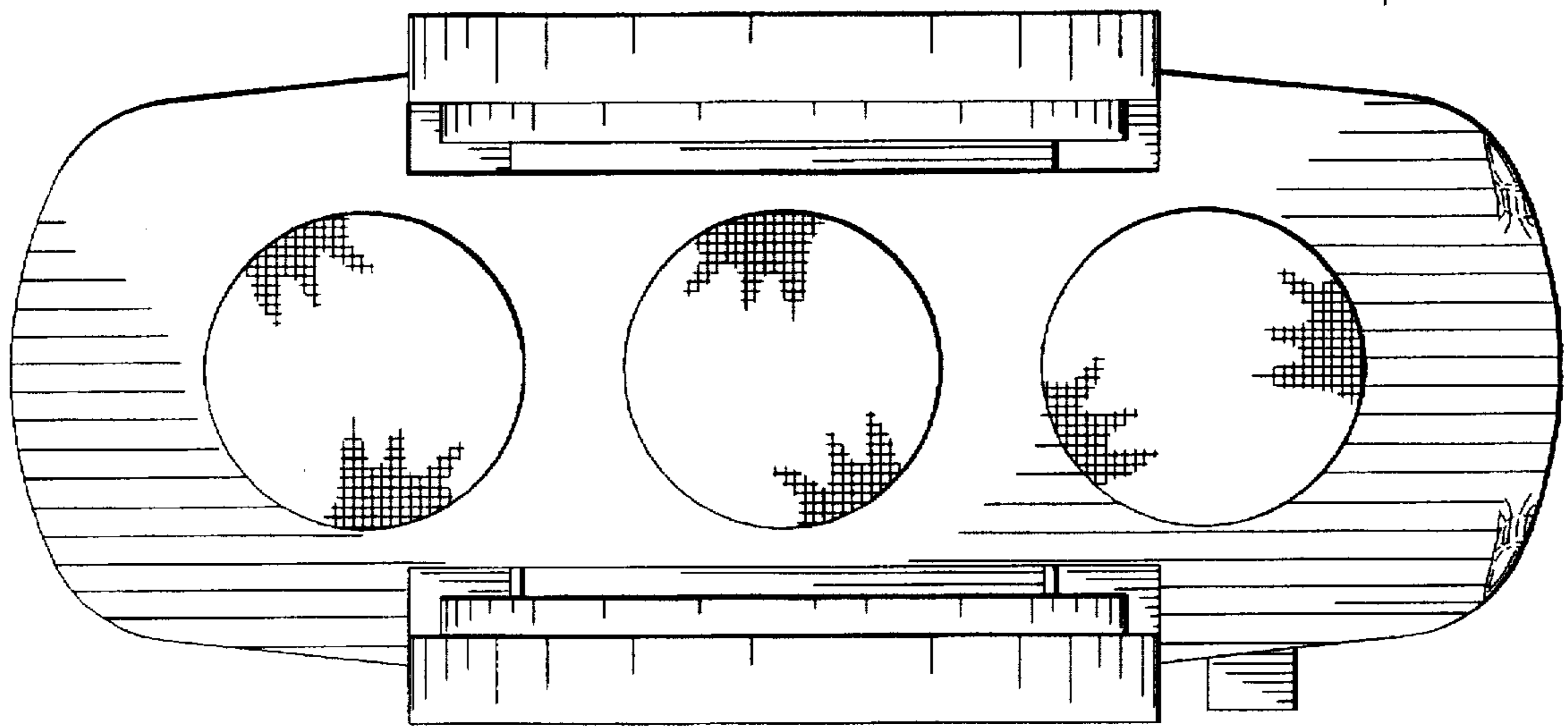


FIG. 6