



US00D391265S

United States Patent [19] Richter

[11] Patent Number: **Des. 391,265**
[45] Date of Patent: ****Feb. 24, 1998**

[54] **TELEPHONE HOLDER**

[76] Inventor: **Herbert Richter**, Drosselweg 8, 75331 Engelbrand, Germany

[**] Term: **14 Years**

[21] Appl. No.: **61,302**

[22] Filed: **Oct. 21, 1996**

Related U.S. Application Data

[62] Division of Ser. No. 54,170, May 7, 1996, Pat. No. Des. 379,463.

[51] **LOC (6) Cl.** **14-03**

[52] **U.S. Cl.** **D14/253**

[58] **Field of Search** D6/567, 574; D13/107, D13/108; D14/251, 253, 140, 240, 149-151, 100, 107, 114, 142; 379/419, 420, 440, 454, 455, 428, 446; 455/89, 90; D3/218

[56] **References Cited**

U.S. PATENT DOCUMENTS

D. 309,307	7/1990	Sigurdson	D14/253	X
D. 314,173	1/1991	Soren et al.	D13/108	
D. 320,991	10/1991	Nagai et al.	D14/138	X
D. 320,992	10/1991	Jondelius	D14/253	
D. 321,885	11/1991	Sheldrake	D14/251	X
D. 346,798	5/1994	Nagele	D14/149	
D. 362,004	9/1995	Nakano et al.	D14/253	
D. 369,797	5/1996	Hillier et al.	D13/108	X
D. 372,189	7/1996	Andis et al.	D8/373	
D. 377,798	2/1997	Heine	D14/253	
D. 379,463	5/1997	Richter	D14/253	
2,481,271	9/1949	Wiley	379/455	
2,784,261	3/1957	Anklesaria	379/455	
3,748,409	7/1973	Stokes	379/454	

5,142,573	8/1992	Umezawa	455/90	X
5,187,744	2/1993	Richter	379/455	
5,305,381	4/1994	Wang et al.	379/454	X
5,392,350	2/1995	Swanson	379/455	X
5,457,745	10/1995	Wang	379/455	X
5,463,688	10/1995	Wijas	379/455	X
5,471,530	11/1995	Chen	379/454	X
5,555,302	9/1996	Wang	379/454	X
5,568,549	10/1996	Wang	379/455	X

FOREIGN PATENT DOCUMENTS

2357120	1/1978	France	379/455	
0458453	7/1951	Italy	379/455	
0569573	11/1957	Italy	379/455	
0584884	11/1958	Italy	379/455	
5-167657	7/1993	Japan	379/455	
0100075	7/1923	Switzerland	379/455	

Primary Examiner—Jeffrey Asch
Attorney, Agent, or Firm—Klaus J. Bach

[57] **CLAIM**

The ornamental design for a telephone holder, as shown and described.

DESCRIPTION

FIG. 1 is a perspective view of the telephone holder showing my new design;
FIG. 2 is a front end view of the telephone holder;
FIG. 3 is a rear end view of the telephone holder;
FIG. 4 is a side view of the telephone holder as seen from the left side of FIG. 3;
FIG. 5 is a side view of the telephone holder as seen from the right side of FIG. 3;
FIG. 6 is a top view of the telephone holder; and,
FIG. 7 is a bottom view of the telephone holder.

1 Claim, 5 Drawing Sheets

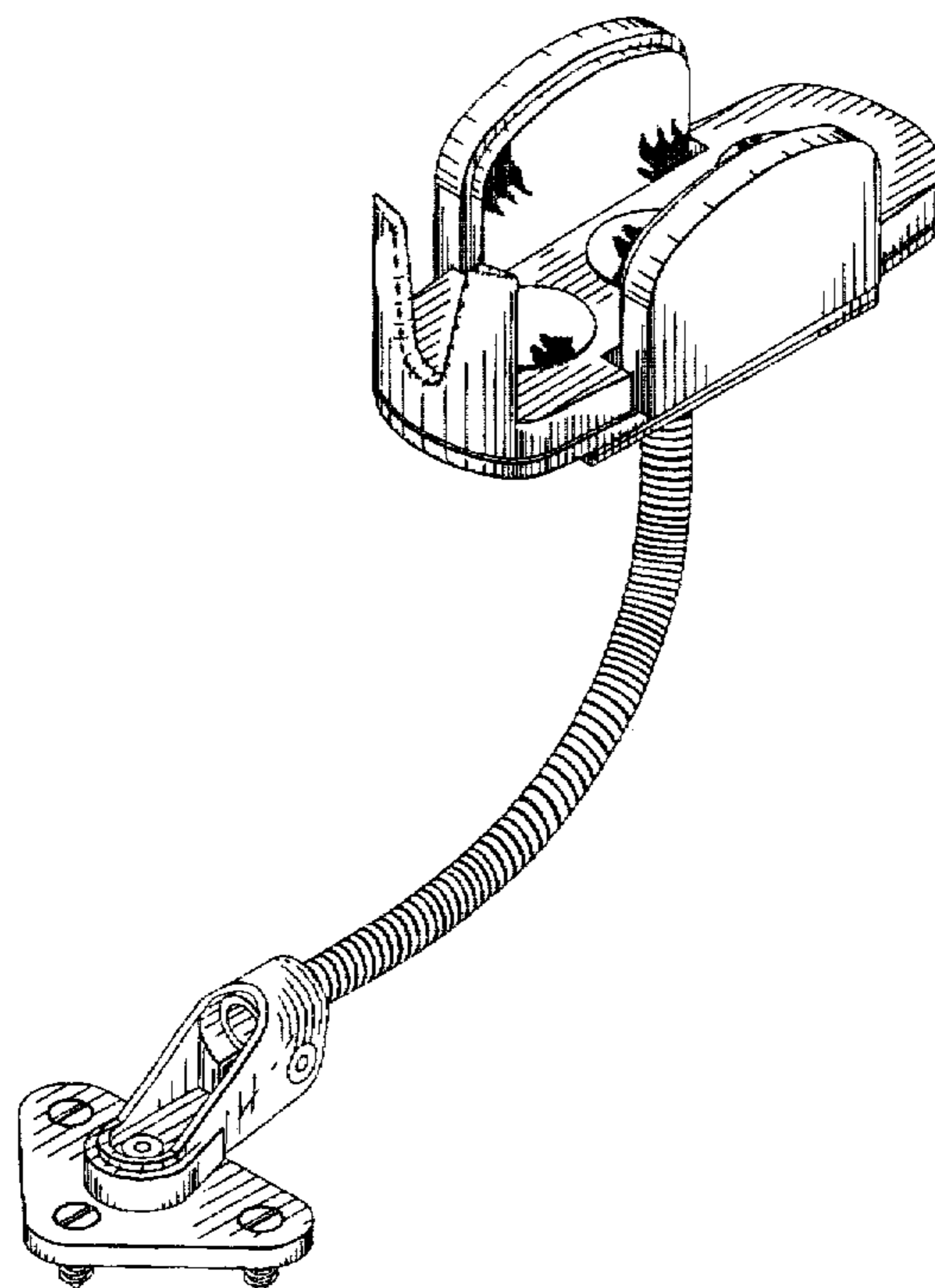


FIG. 1

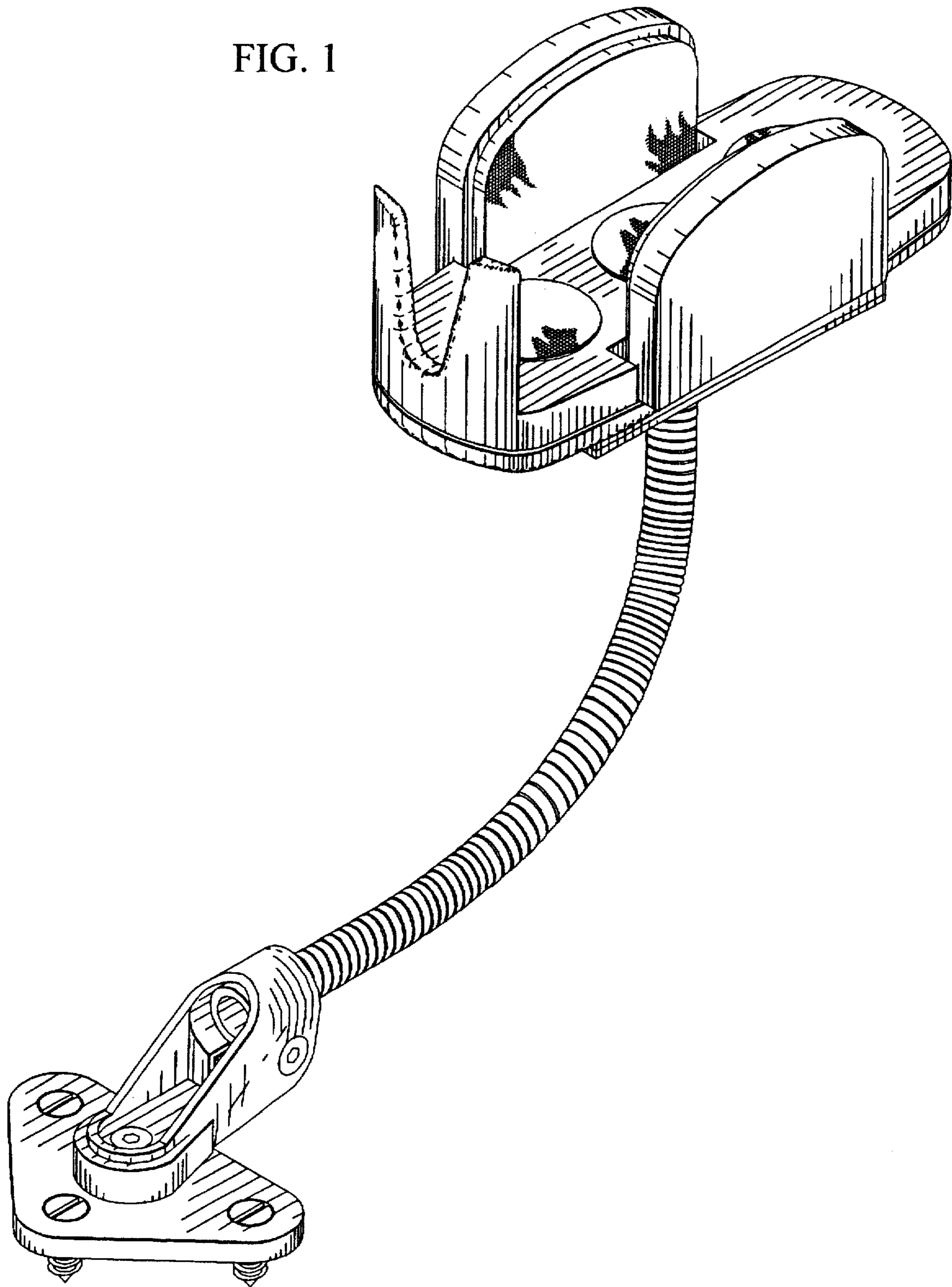


FIG. 2

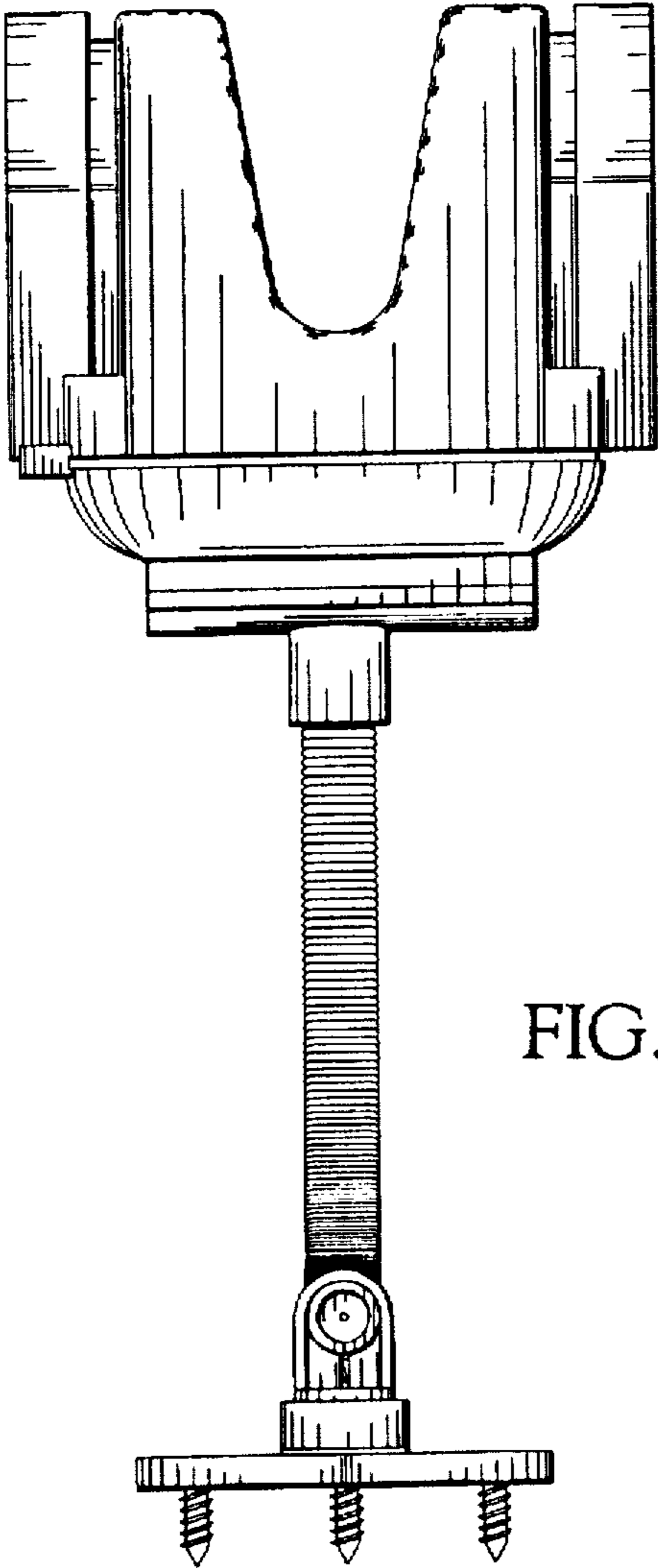
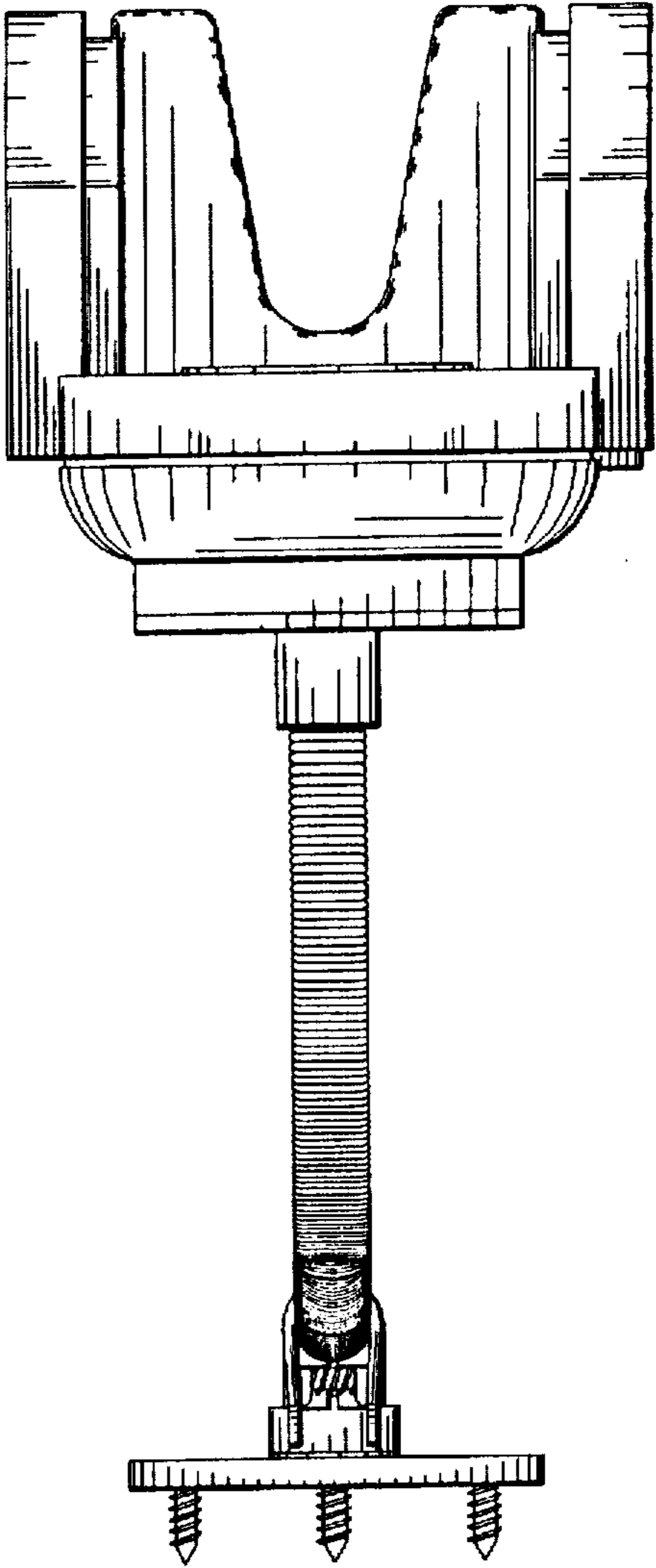


FIG. 3

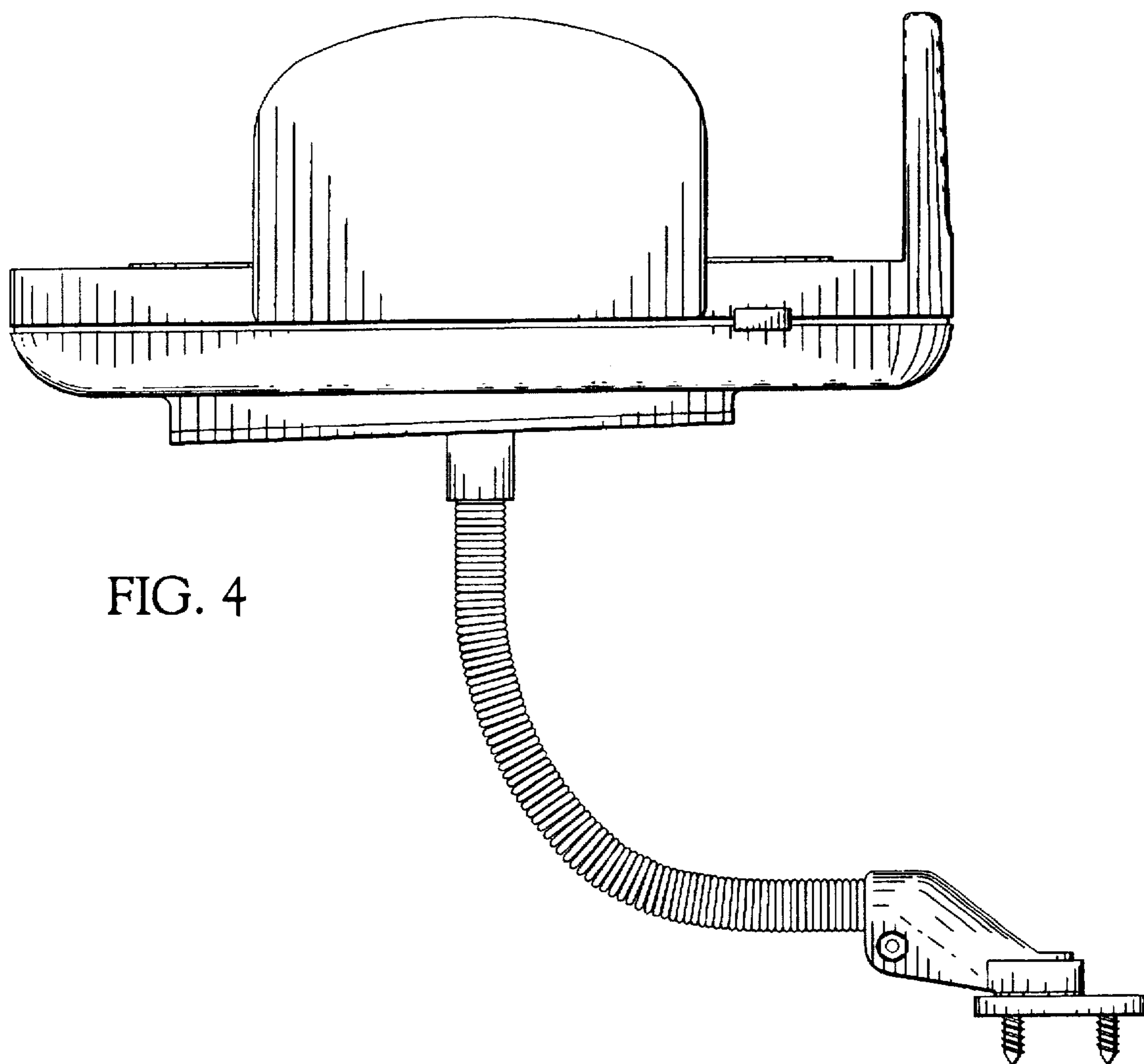


FIG. 4

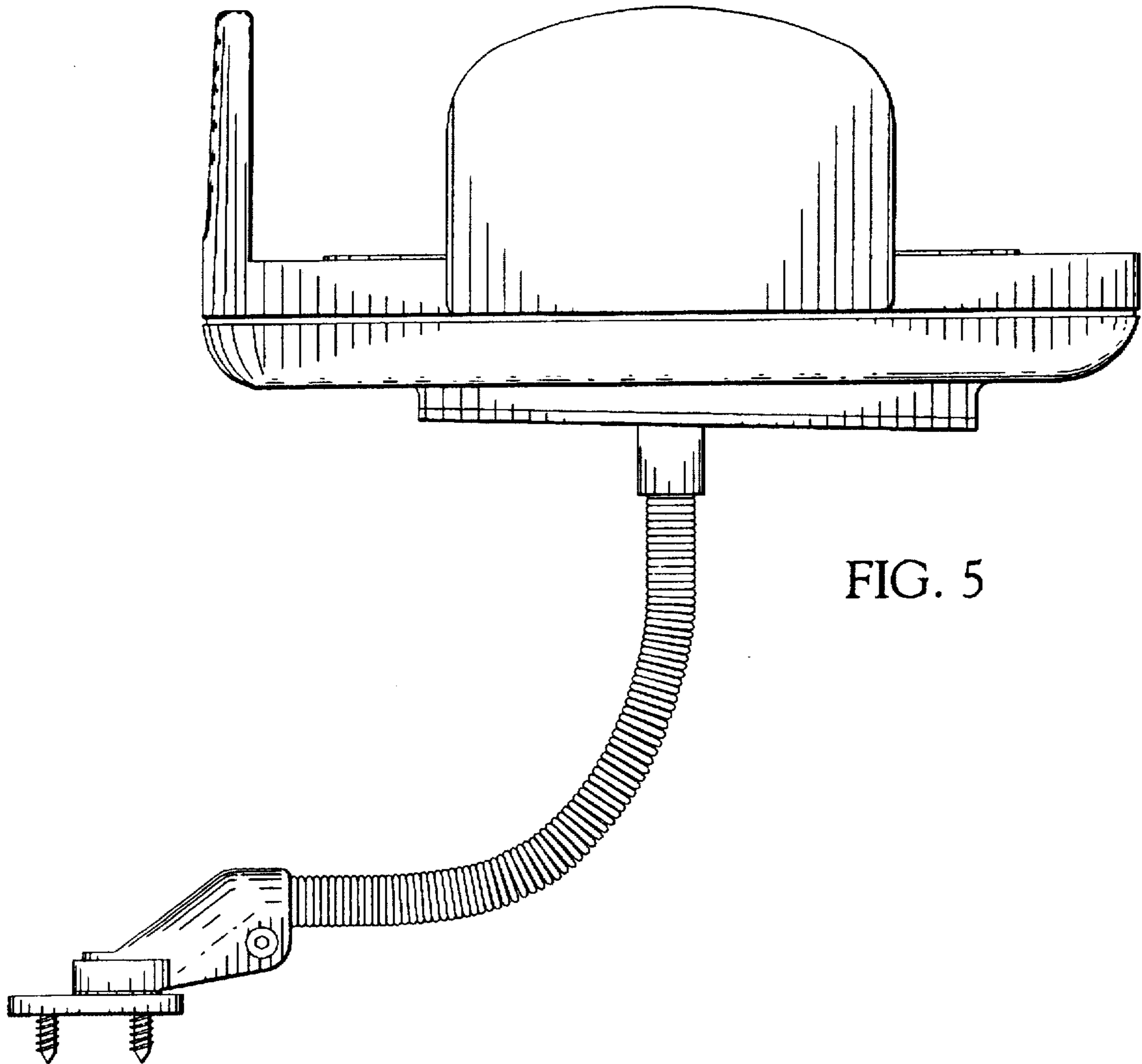


FIG. 5

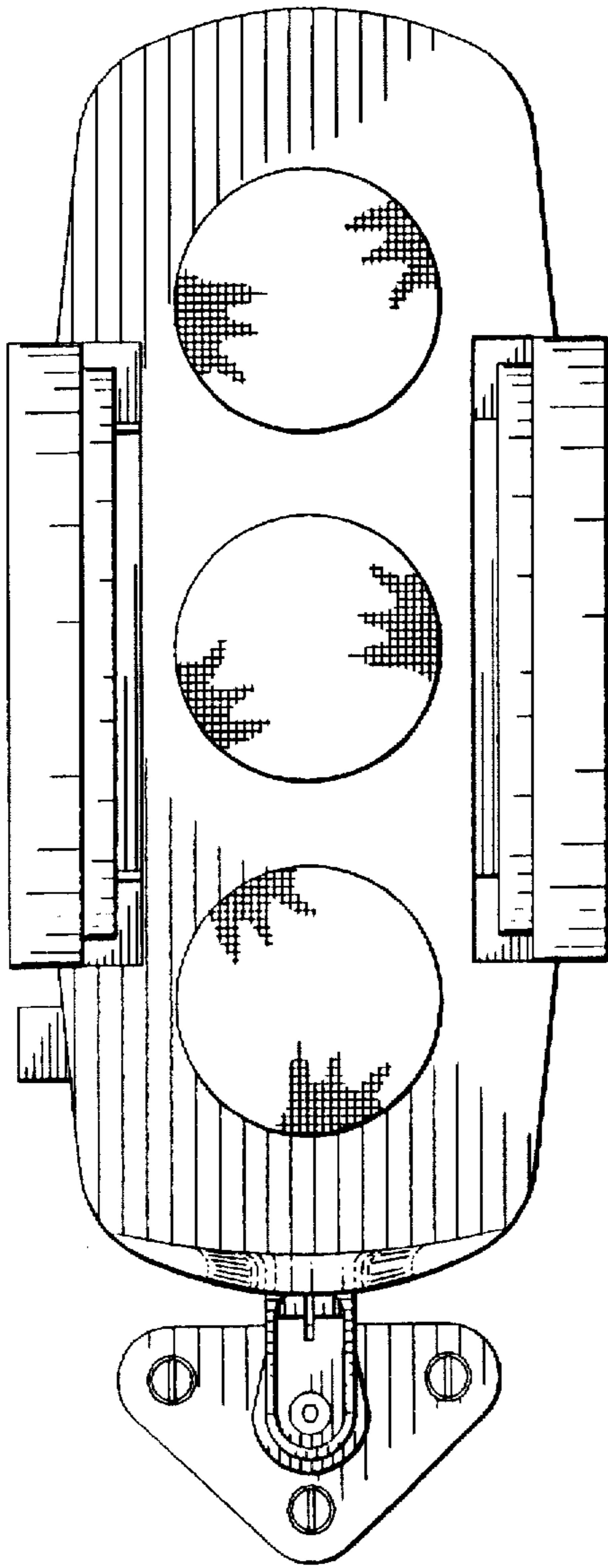


FIG. 6

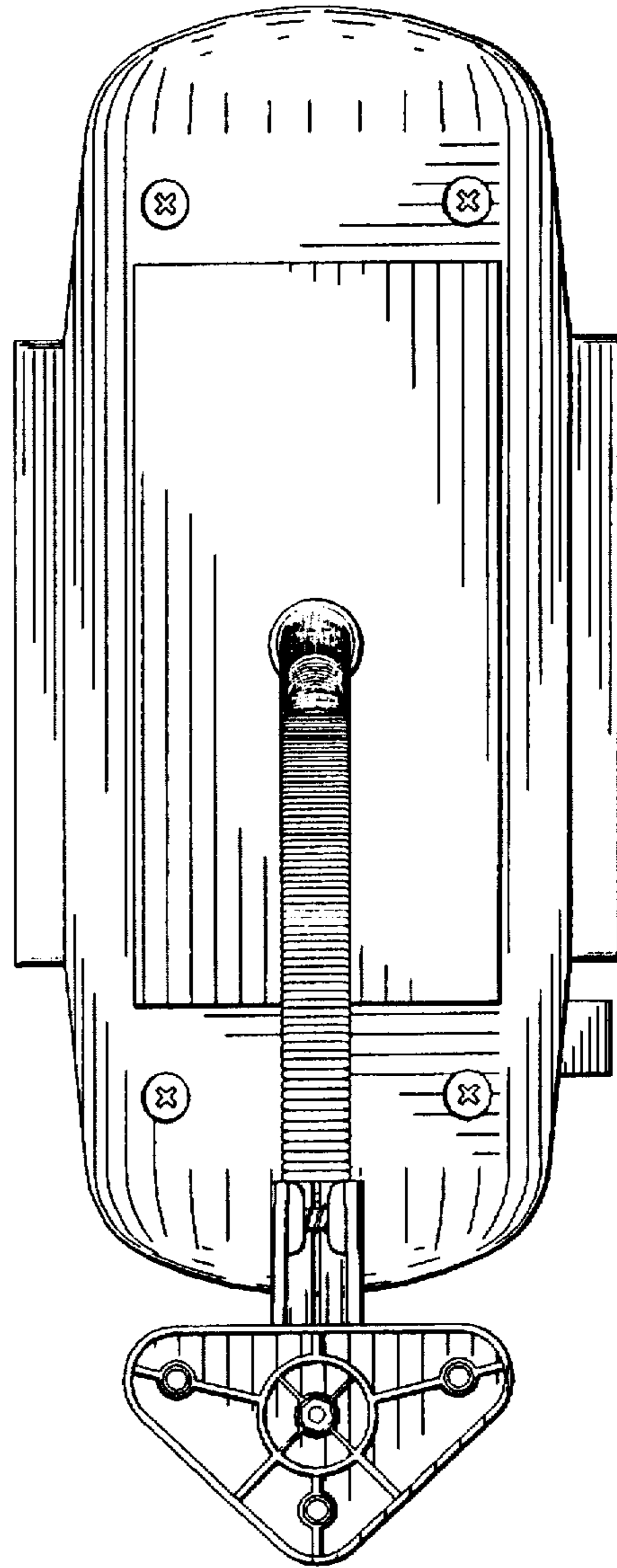


FIG. 7