



US00D391264S

**United States Patent** [19]  
**Johansson**

[11] **Patent Number: Des. 391,264**  
[45] **Date of Patent: \*\*Feb. 24, 1998**

[54] **HOLDER FOR MOBILE TELEPHONE FOR USE IN VEHICLES**

[75] **Inventor: Ebbe Johansson, Karlsborg, Sweden**

[73] **Assignee: Brodit Plast AB, Karlsborg, Sweden**

[\*\*] **Term: 14 Years**

[21] **Appl. No.: 44,456**

[22] **Filed: Sep. 25, 1995**

[30] **Foreign Application Priority Data**

Feb. 6, 1995 [SE] Sweden ..... 95-1132

[51] **LOC (6) Cl. .... 14-03**

[52] **U.S. Cl. .... D14/253; D8/349**

[58] **Field of Search .... D14/251, 253, D14/240, 252, 140, 142, 107, 114, 138; D8/349, 373, 354; D3/218; 379/446, 450, 454, 455, 434-436; D6/553; D12/415, 420; 455/89, 90; 320/2**

[56] **References Cited**

**U.S. PATENT DOCUMENTS**

- D. 245,520 8/1977 Smith et al. .... D14/240
- D. 286,636 11/1986 Cooke et al. .... D14/253
- D. 306,299 2/1990 Soren et al. .... D14/253 X
- D. 308,870 6/1990 Rioux, Jr. .... D14/251
- D. 312,205 11/1990 De Rooij ..... D8/349 X
- D. 317,157 5/1991 Jondelius ..... D8/373 X
- D. 320,992 10/1991 Jondelius ..... D14/253

- D. 333,085 2/1993 Thomsen ..... D8/349 X
- D. 345,906 4/1994 Schmidt et al. .... D8/373
- D. 375,314 11/1996 Taglianai ..... D8/349 X
- D. 376,805 12/1996 Johansson ..... D14/253
- 2,878,324 3/1959 Guerrero ..... 379/455 X
- 4,527,018 7/1985 Offredi ..... D14/253 X
- 4,945,561 7/1990 Rioux, Jr. .... 379/454
- 5,131,036 7/1992 Dunchock ..... 379/454 X
- 5,222,132 6/1993 Rioux, Jr. .... 379/455
- 5,305,381 4/1994 Wang et al. .... 379/455
- 5,416,839 5/1995 Lee ..... 379/446 X

*Primary Examiner*—Jeffrey Asch

*Attorney, Agent, or Firm*—Dvorak & Orum

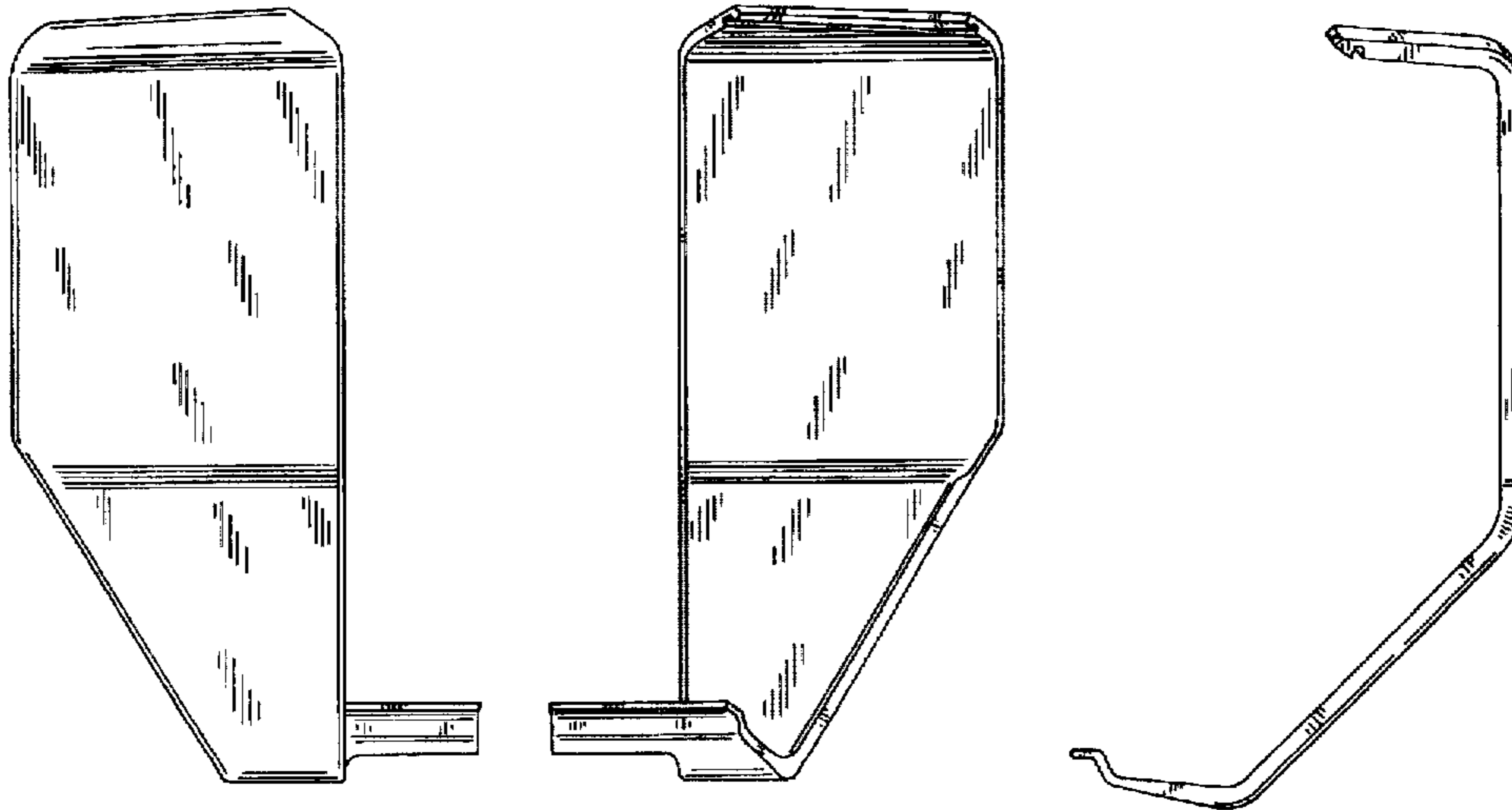
[57] **CLAIM**

The ornamental design for a holder for mobile telephone for use in vehicles, as shown and described.

**DESCRIPTION**

FIG. 1 is a rear view of the holder for mobile telephone for use in vehicles showing my new design;  
 FIG. 2 is a front view;  
 FIG. 3 is a bottom view;  
 FIG. 4 is a top view;  
 FIG. 5 is a side view;  
 FIG. 6 is a view of an opposite side;  
 FIG. 7 is a front view, similar to FIG. 2, showing the holder in a horizontal position; and,  
 FIG. 8 is a side view similar to FIG. 6, showing the holder in a horizontal position.

**1 Claim, 3 Drawing Sheets**



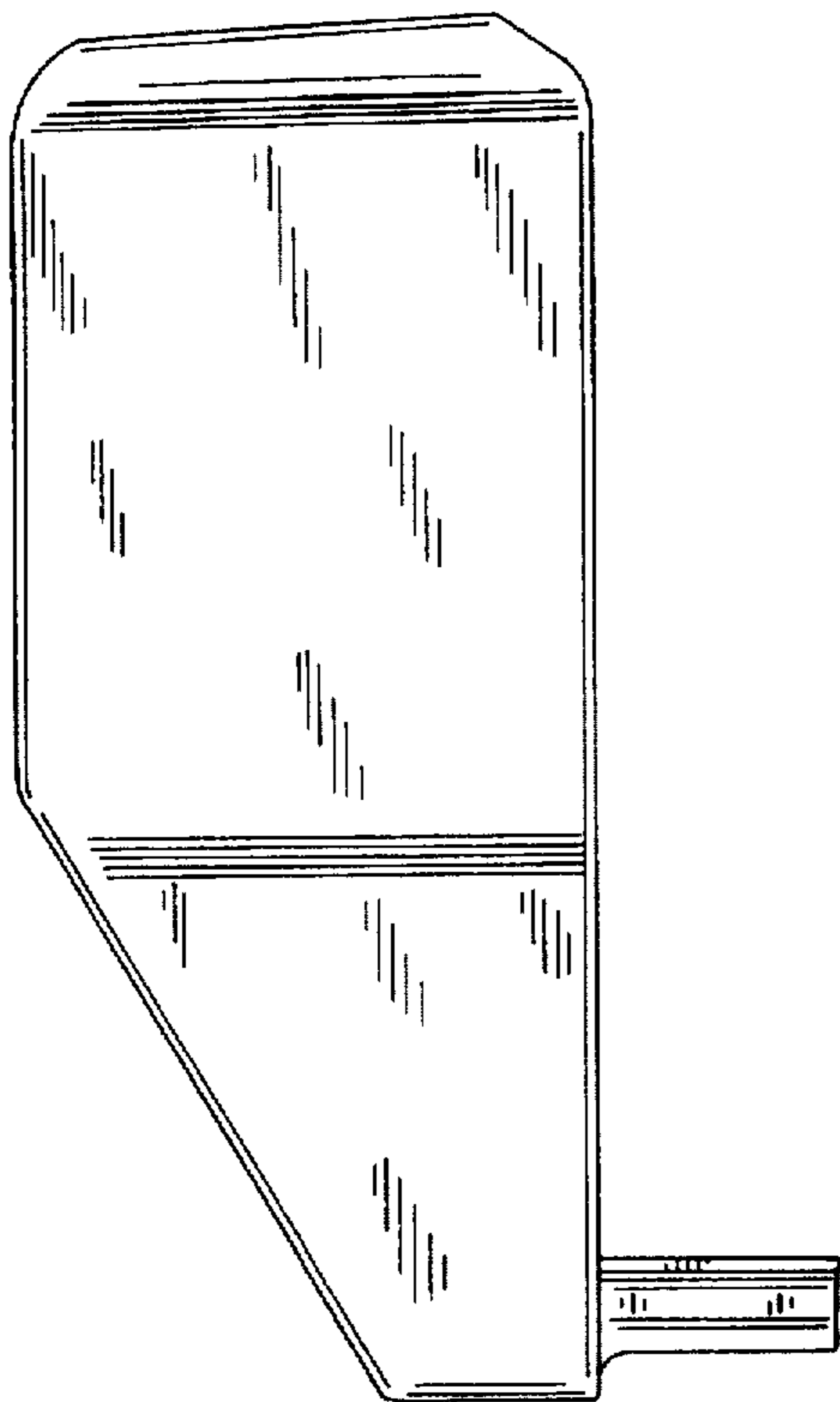


FIG. 1

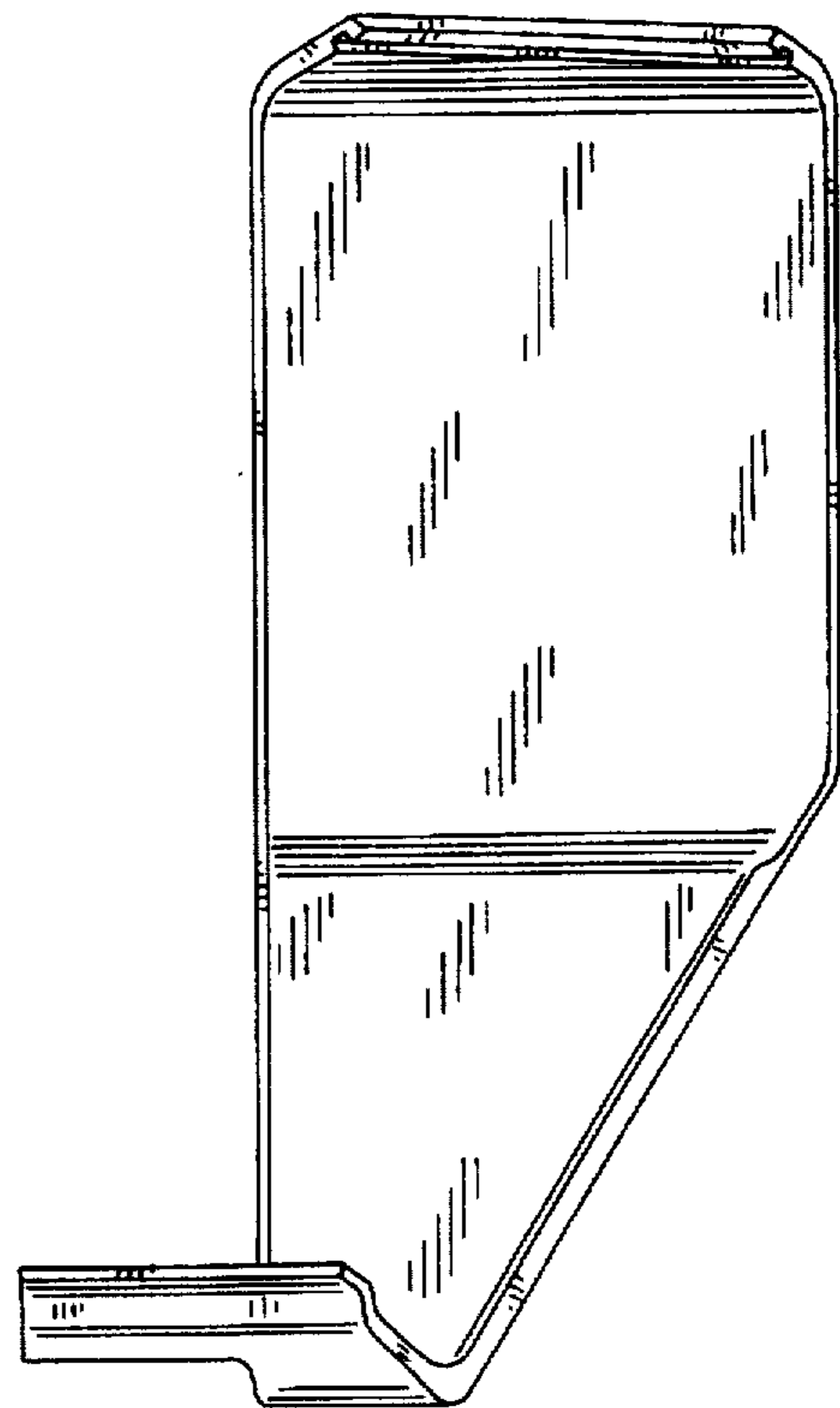


FIG. 2

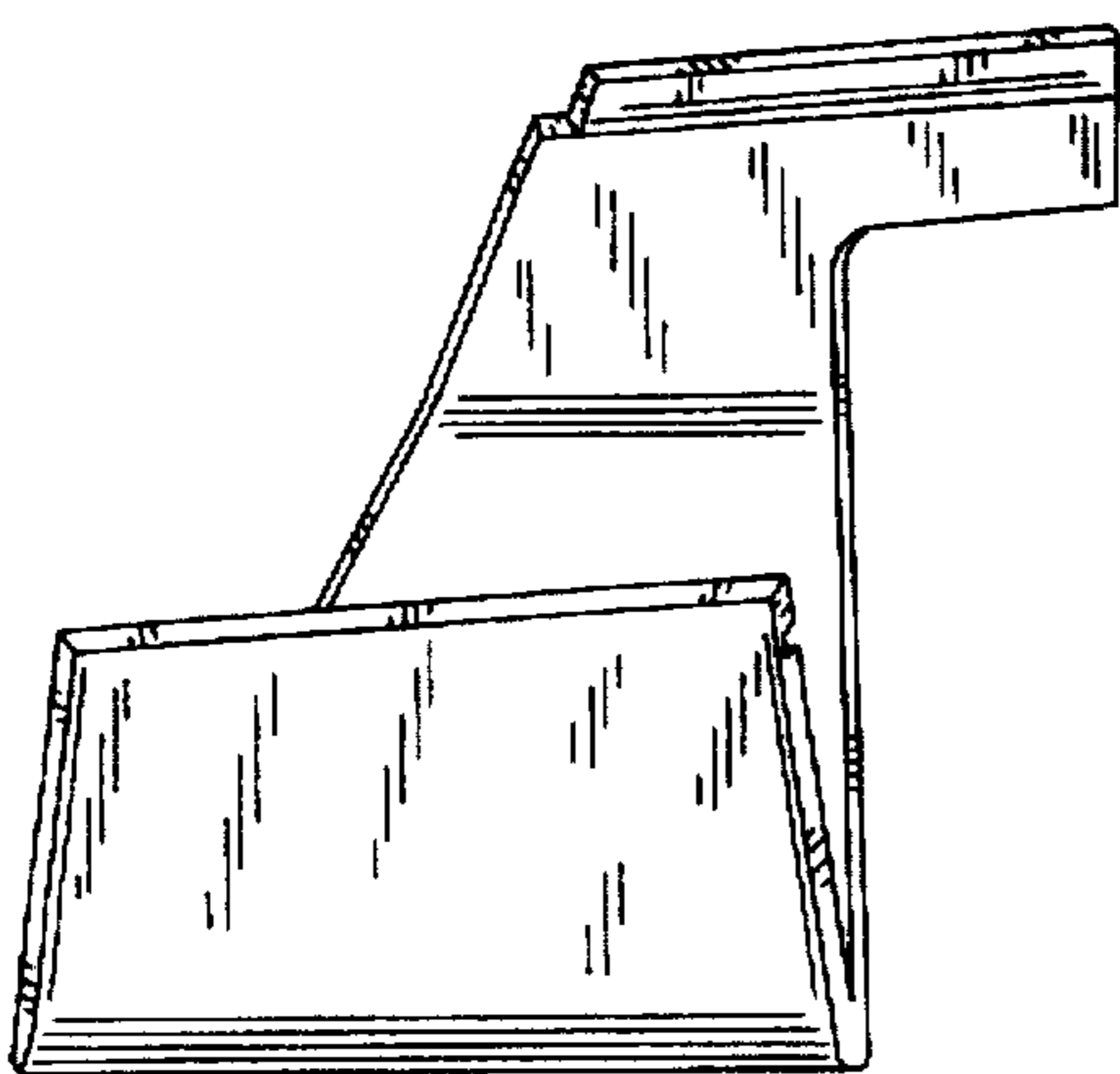


FIG. 4

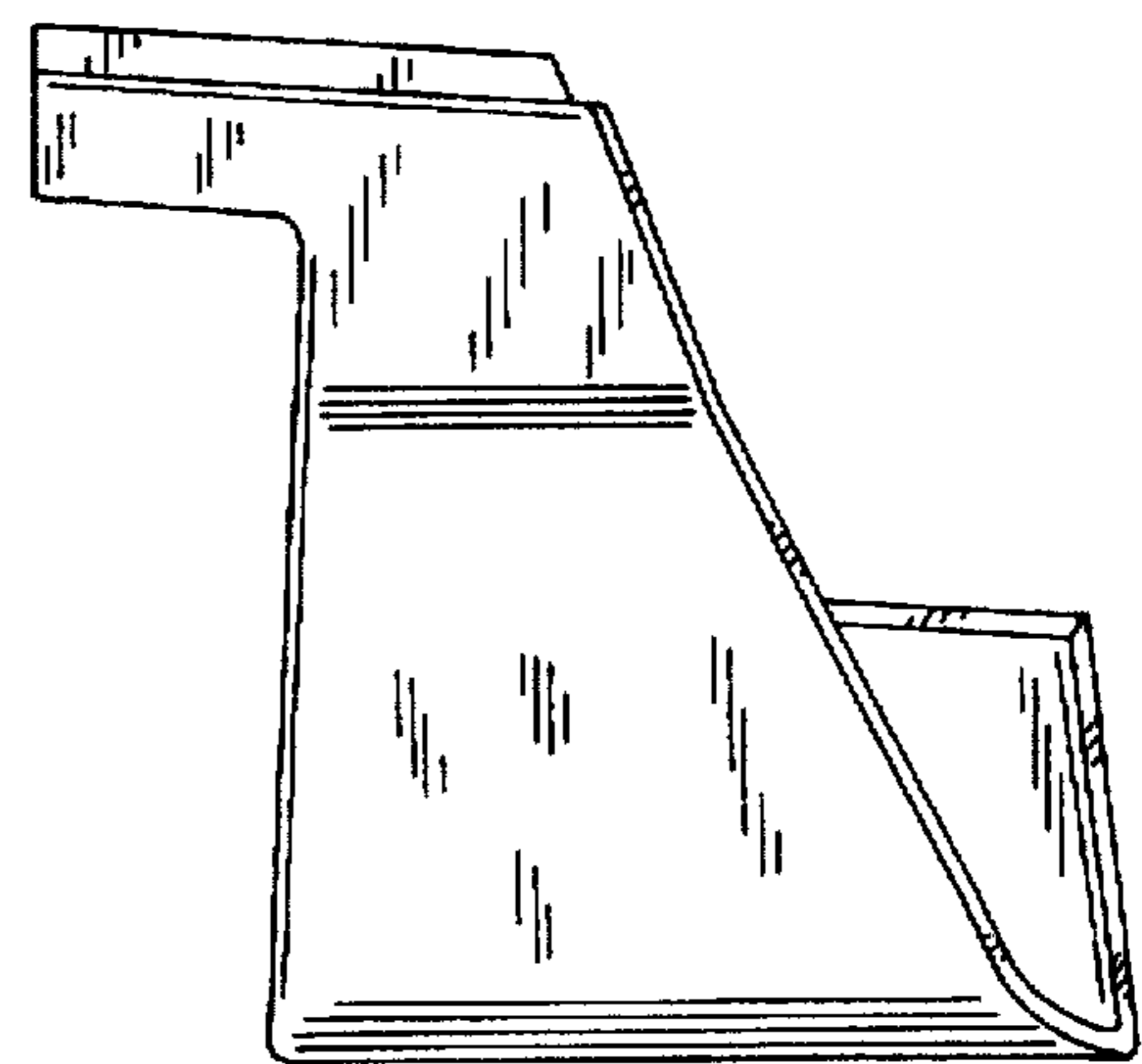


FIG. 3

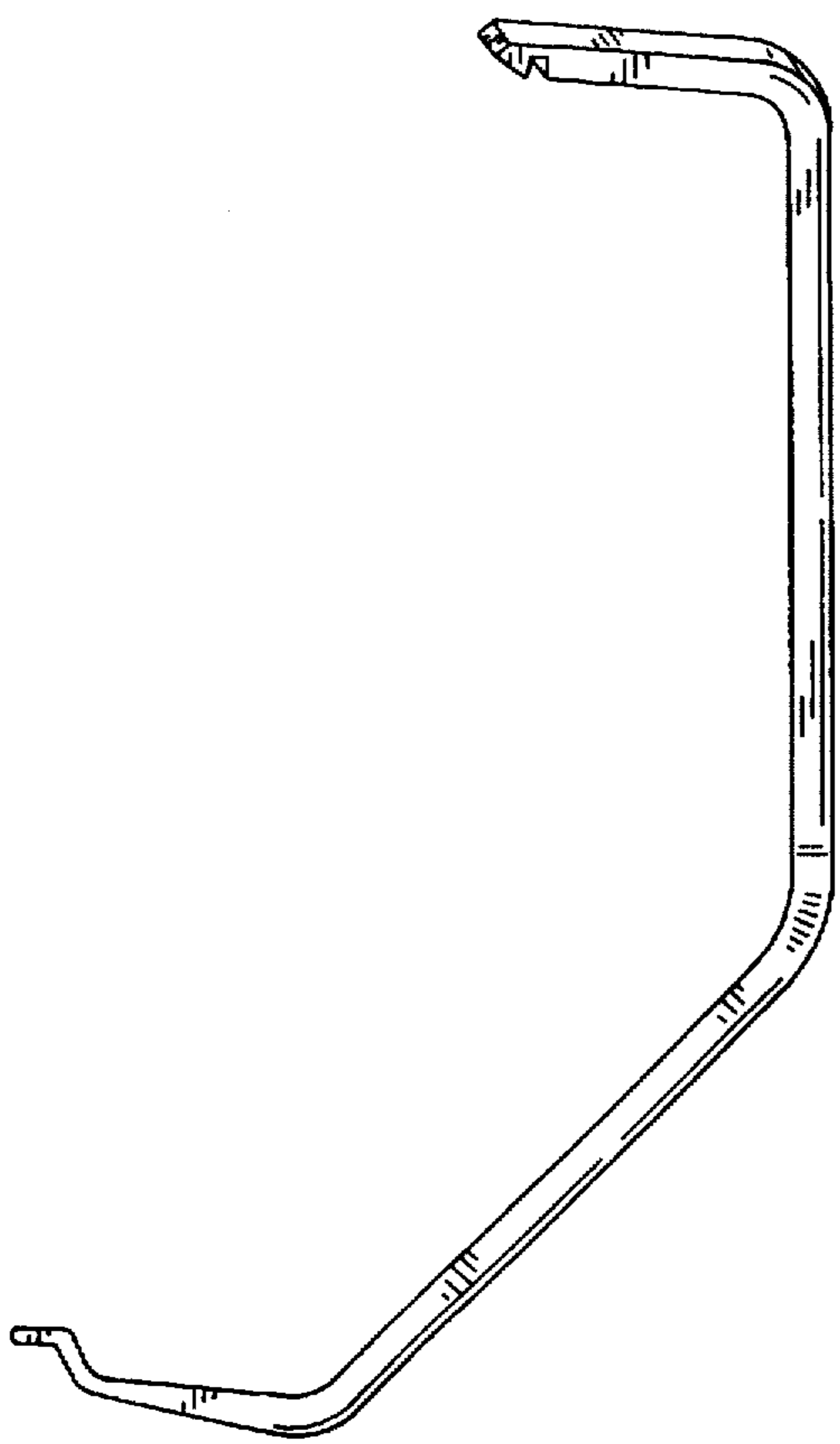


FIG. 5

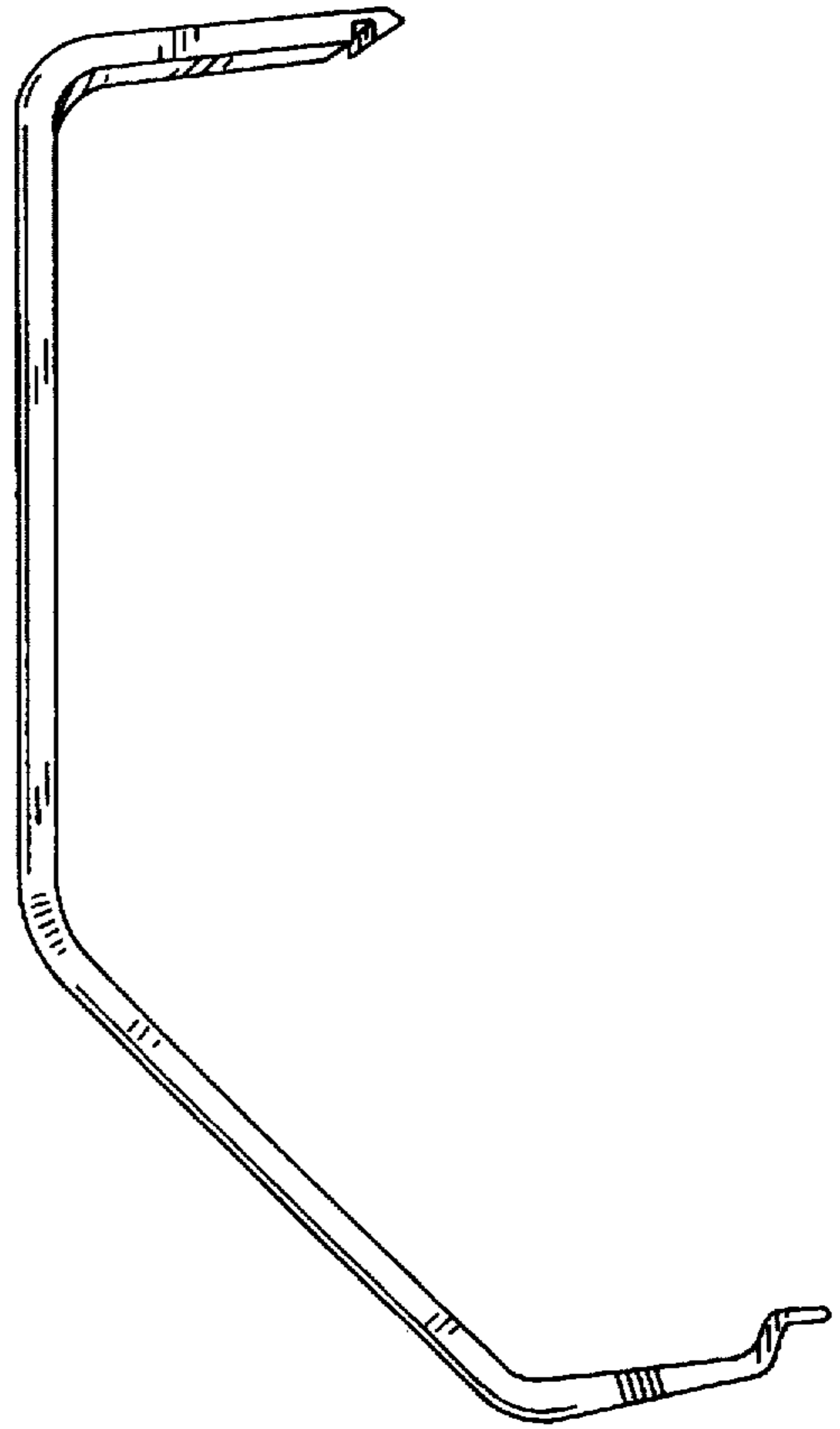


FIG. 6

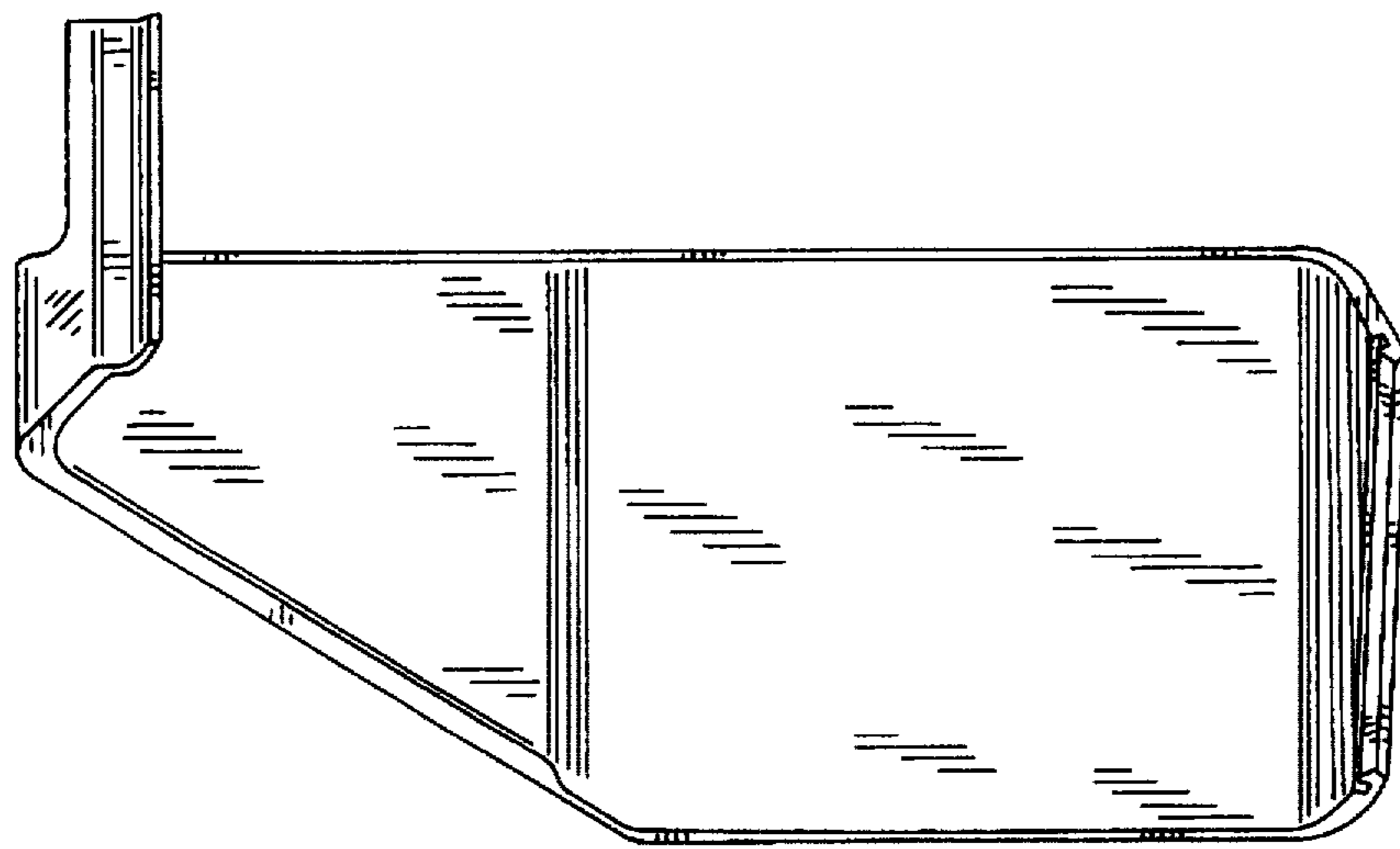


FIG. 7

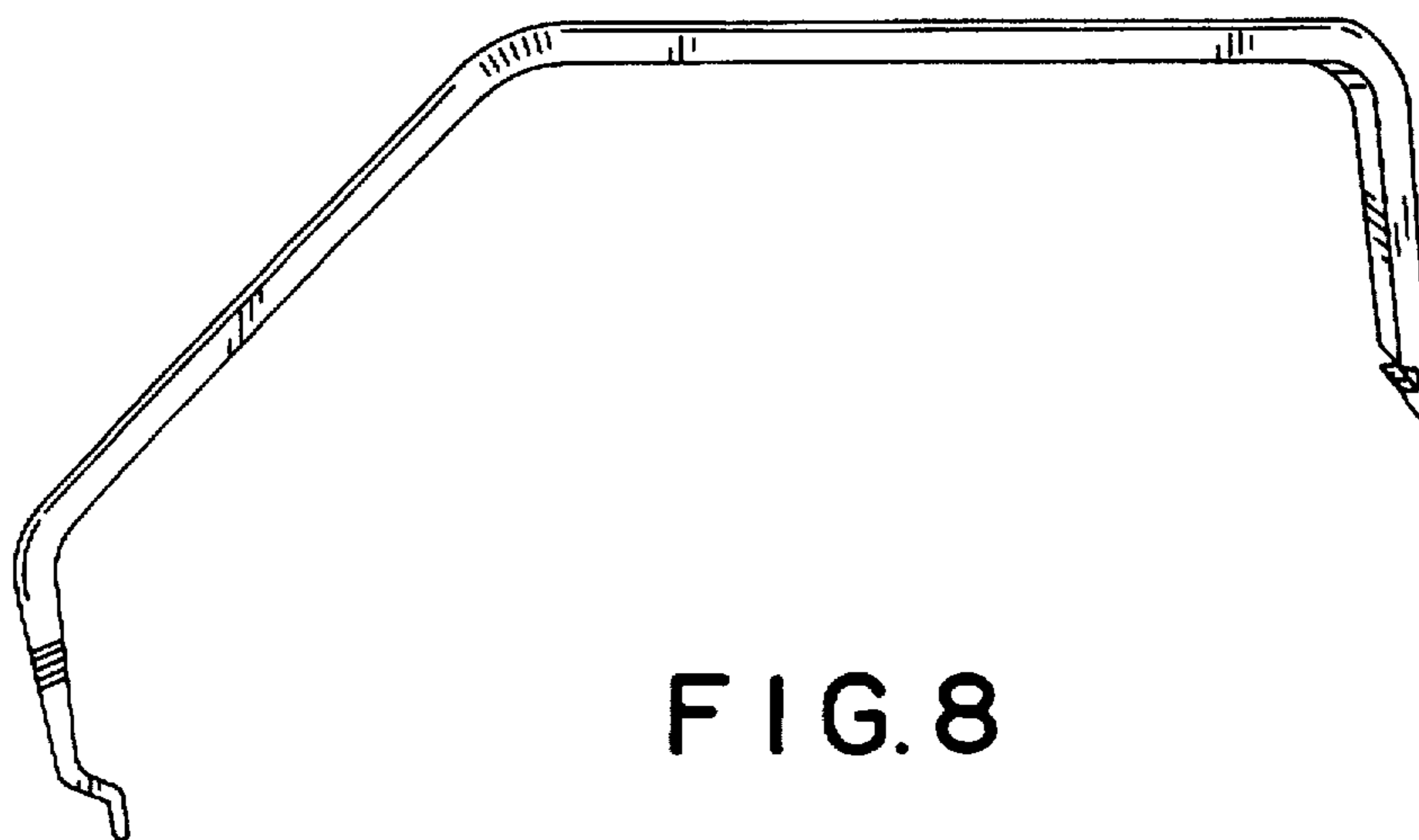


FIG. 8