



US00D391261S

# United States Patent [19]

Harada et al.

[11] Patent Number: Des. 391,261

[45] Date of Patent: \*\*Feb. 24, 1998

## [54] ANTENNA MAST FOR AN AUTOMOBILE

[75] Inventors: **Jiro Harada**, 2-23-12 Seijo, Setagaya-ku, Tokyo; **Masaki Shinkawa**, Yamato; **Shinichi Saito**, Tokyo; **Hiro Yoshi Kojima**, Kawasaki, all of Japan

[73] Assignee: **Jiro Harada**, Japan

[\*\*] Term: **14 Years**

[21] Appl. No.: **58,871**

[22] Filed: **Aug. 27, 1996**

### [30] Foreign Application Priority Data

Feb. 29, 1996	[JP]	Japan	.....	8-5070
Feb. 29, 1996	[JP]	Japan	.....	8-5071

[51] LOC (6) Cl. .... **14-03**

[52] U.S. Cl. .... **D14/234**

[58] Field of Search ..... D14/230-238; 343/749, 791, 900, 790, 880, 892, 750, 715; 116/28 R; 280/477

## [56] References Cited

### U.S. PATENT DOCUMENTS

D. 234,181	1/1975	Singer	.....	D14/234
D. 294,026	2/1988	Shinkawa	.	
D. 333,469	2/1993	Tezuka	.	
D. 333,660	3/1993	Miyakawa	.	
D. 338,205	8/1993	Egashira et al.	.	
D. 341,835	11/1993	Taguchi	.....	D14/234
2,200,338	5/1940	Mason	.....	343/880
2,269,947	1/1942	Ludwig	.....	343/892
2,335,773	11/1943	Lagerblade	.....	343/900
2,486,597	11/1949	Greene	.....	343/791
3,003,149	10/1961	Grashow	.....	343/900
3,789,418	1/1974	Reiber et al.	.....	343/900
4,087,823	5/1978	Faigen et al.	.....	343/791
4,134,120	1/1979	Deloach et al.	.....	343/900
4,527,163	7/1985	Stanton	.....	343/791
5,035,441	7/1991	Murray	.....	116/28 R X

### OTHER PUBLICATIONS

Overton's catalog, p. 15, item G, May, 1993.

Primary Examiner—Jeffrey Asch

Attorney, Agent, or Firm—Irving M. Fishman

## [57] CLAIM

The ornamental design for the antenna mast for an automobile, as shown and described.

## DESCRIPTION

FIG. 1 is a front view of the antenna mast for an automobile showing our new design;

FIG. 2 is a top view of the antenna mast for an automobile of FIG. 1;

FIG. 3 is a left end view of the antenna mast for an automobile of FIG. 1;

FIG. 4 is a right end view of the antenna mast for an automobile of FIG. 1;

FIG. 5 is an enlarged front view of the portion of the antenna mast for an automobile to the left of the plane indicated by line 5 —5 of FIG. 1;

FIG. 6 is an enlarged front view of the portion of the antenna mast for an automobile to the right of the plane indicated by line 6 —6 of FIG. 1;

FIG. 7 is an end view of the portion of the antenna mast for an automobile to the left of the plane indicated by line 7 —7 of FIG. 5;

FIG. 8 is a front view of the second embodiment of the antenna mast for an automobile of the present invention;

FIG. 9 is a top view of the second embodiment of the antenna mast for an automobile of FIG. 8;

FIG. 10 is a left end view of the antenna mast for an automobile of FIG. 8;

FIG. 11 is a right end view of the antenna mast for an automobile of FIG. 9;

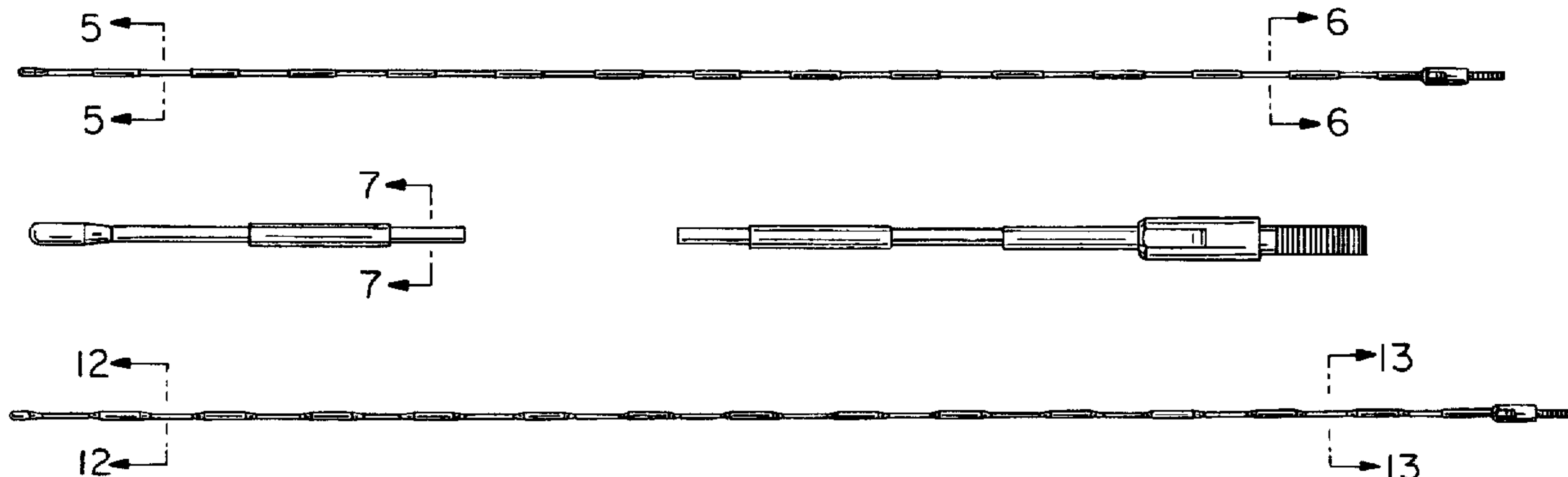
FIG. 12 is an enlarged front view of the second embodiment of the antenna mast for an automobile to the left of the plane indicated by the line 12 —12 of FIG. 8;

FIG. 13 is an enlarged front view of the second embodiment of the antenna mast for an automobile to the right of the plane indicated by line 13 —of FIG. 8; and,

FIG. 14 is an end view of the second embodiment of the antenna mast for an automobile to the left of the plane indicated by line 14 —14 of FIG. 8.

The rear and bottom of each embodiment are the same in appearance as that shown in FIGS. 1 and 2 and, 8 and 9, respectively.

1 Claim, 2 Drawing Sheets



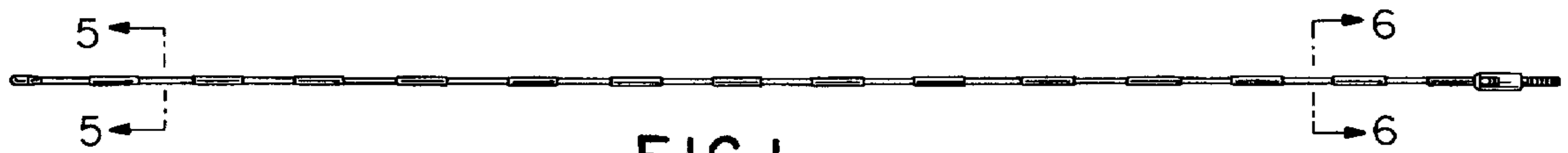


FIG. 1

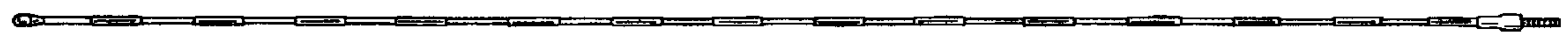


FIG. 2

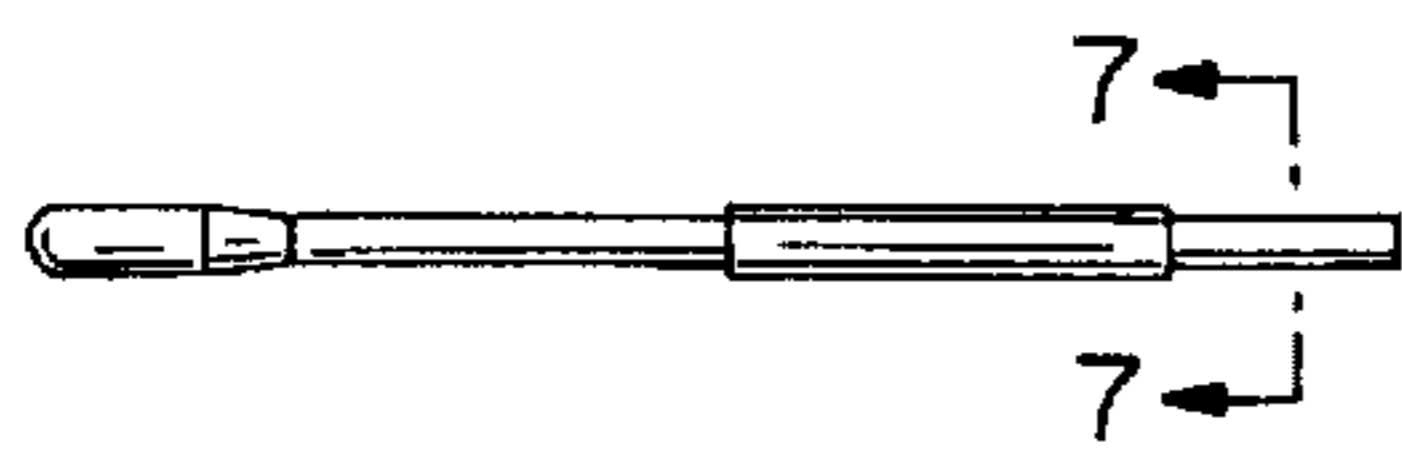


FIG. 5

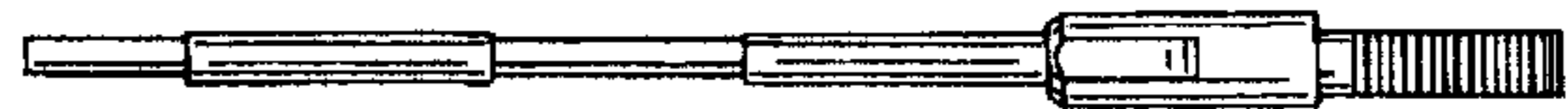


FIG. 3 FIG. 4

FIG. 6

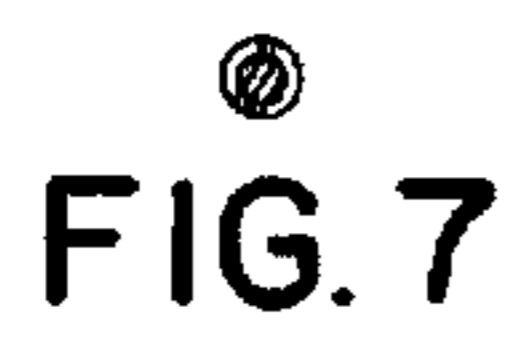


FIG. 7

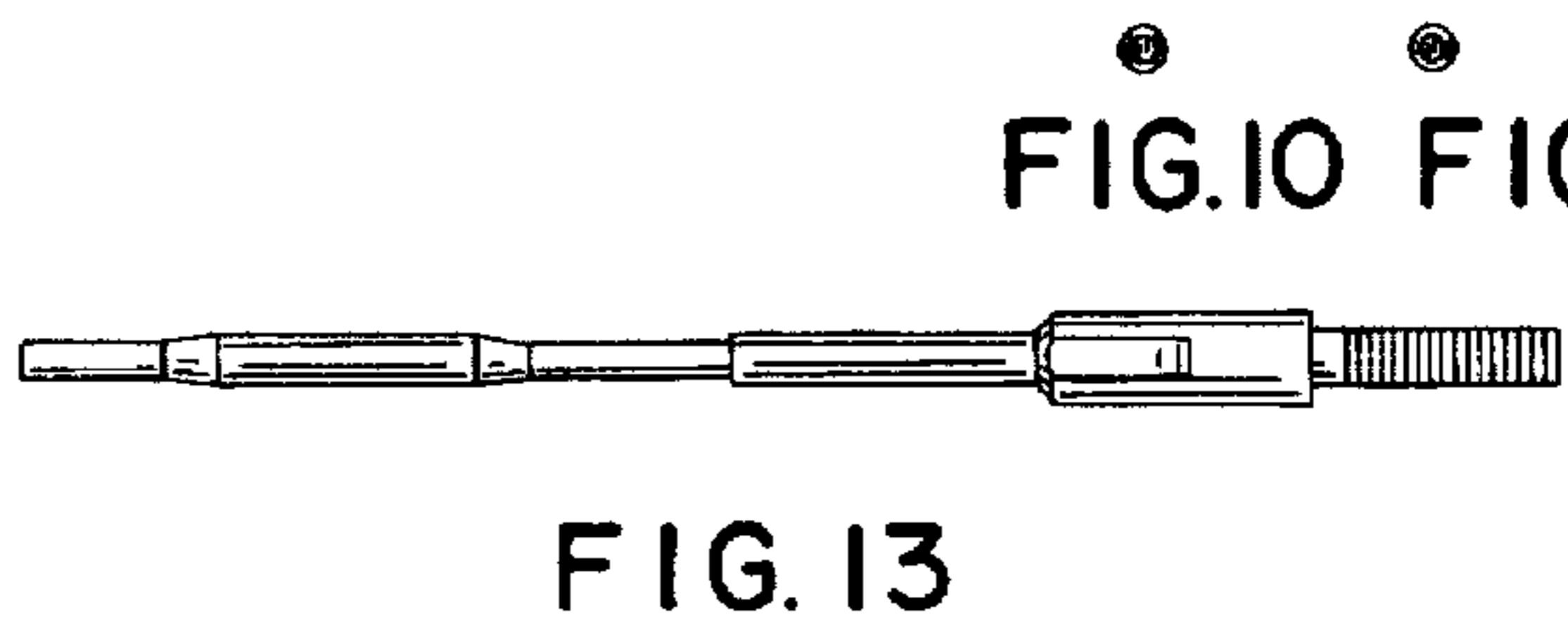
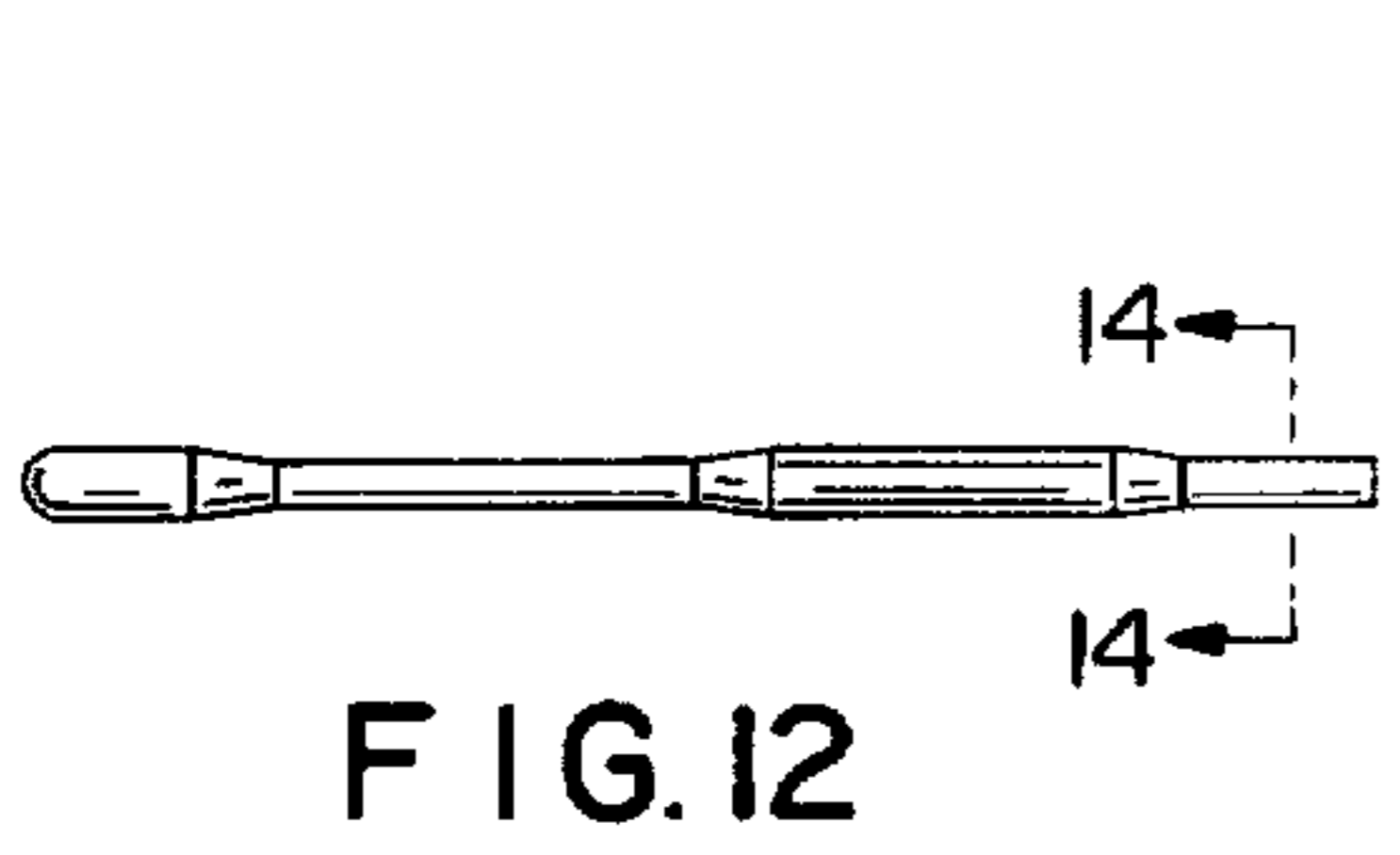
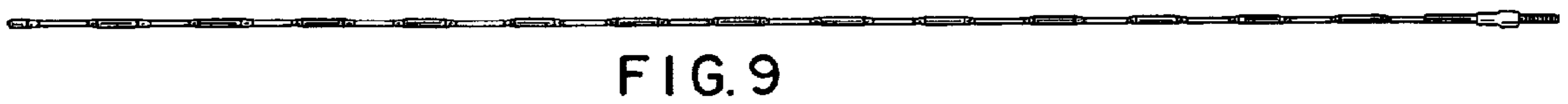
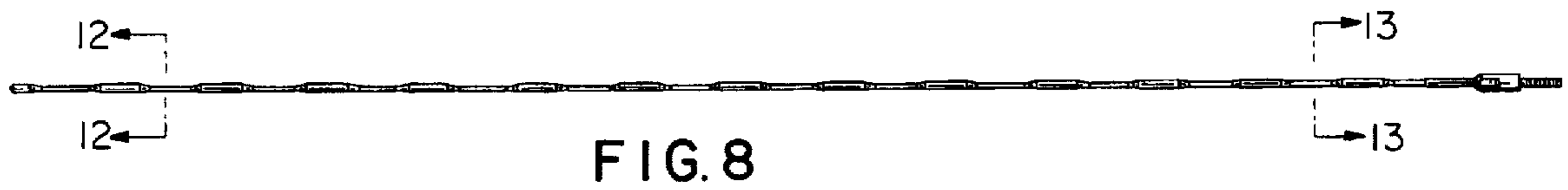


FIG. 12

FIG. 13

FIG. 14

FIG. 10 FIG. 11

UNITED STATES PATENT AND TRADEMARK OFFICE  
CERTIFICATE OF CORRECTION

PATENT NO : Des. 391,261  
DATED : February 24, 1998  
INVENTOR(S): Jiro Harada et al

It is certified that error appears in the above-identified patent and that said Letters Patent is hereby corrected as shown below:

In Item "[73] Assignee", change "Jiro Harada, Japan" to  
--Harada Industry Co., Ltd., Tokyo, Japan--

Signed and Sealed this  
Third Day of November, 1998

*Attest:*



BRUCE LEHMAN

*Attesting Officer*

*Commissioner of Patents and Trademarks*