



US00D391257S

United States Patent [19]

Ngan

[11] Patent Number: **Des. 391,257**

[45] Date of Patent: ****Feb. 24, 1998**

[54] **ALARM CLOCK RADIO**

[75] Inventor: **Hon Wing Ngan**, Quarry Bay, Hong Kong

[73] Assignee: **Southa Company Limited**, Quarry Bay, Hong Kong

[**] Term: **14 Years**

[21] Appl. No.: **68,870**

[22] Filed: **Apr. 3, 1997**

[51] LOC (6) Cl. **14-01**

[52] U.S. Cl. **D14/171; D10/2**

[58] Field of Search D10/1, 2, 15; D14/124, D14/160-171, 188-190, 192-198, 257, 265; 455/344, 347, 350-351

[56] **References Cited**

U.S. PATENT DOCUMENTS

- D. 301,580 6/1989 Davidson D10/2 X
- D. 307,723 5/1990 Chan D10/15
- D. 352,664 11/1994 Peersmann D10/2
- D. 366,621 1/1996 George et al. D10/15

- D. 367,057 2/1996 Wong D14/193 X
- D. 374,009 9/1996 George D14/193 X
- 5,055,986 10/1991 Johnson 455/344 X

Primary Examiner—Sandra L. Morris
Assistant Examiner—Nanda Bondade
Attorney, Agent, or Firm—Beveridge, DeGrandi, Weilacher & Young LLP

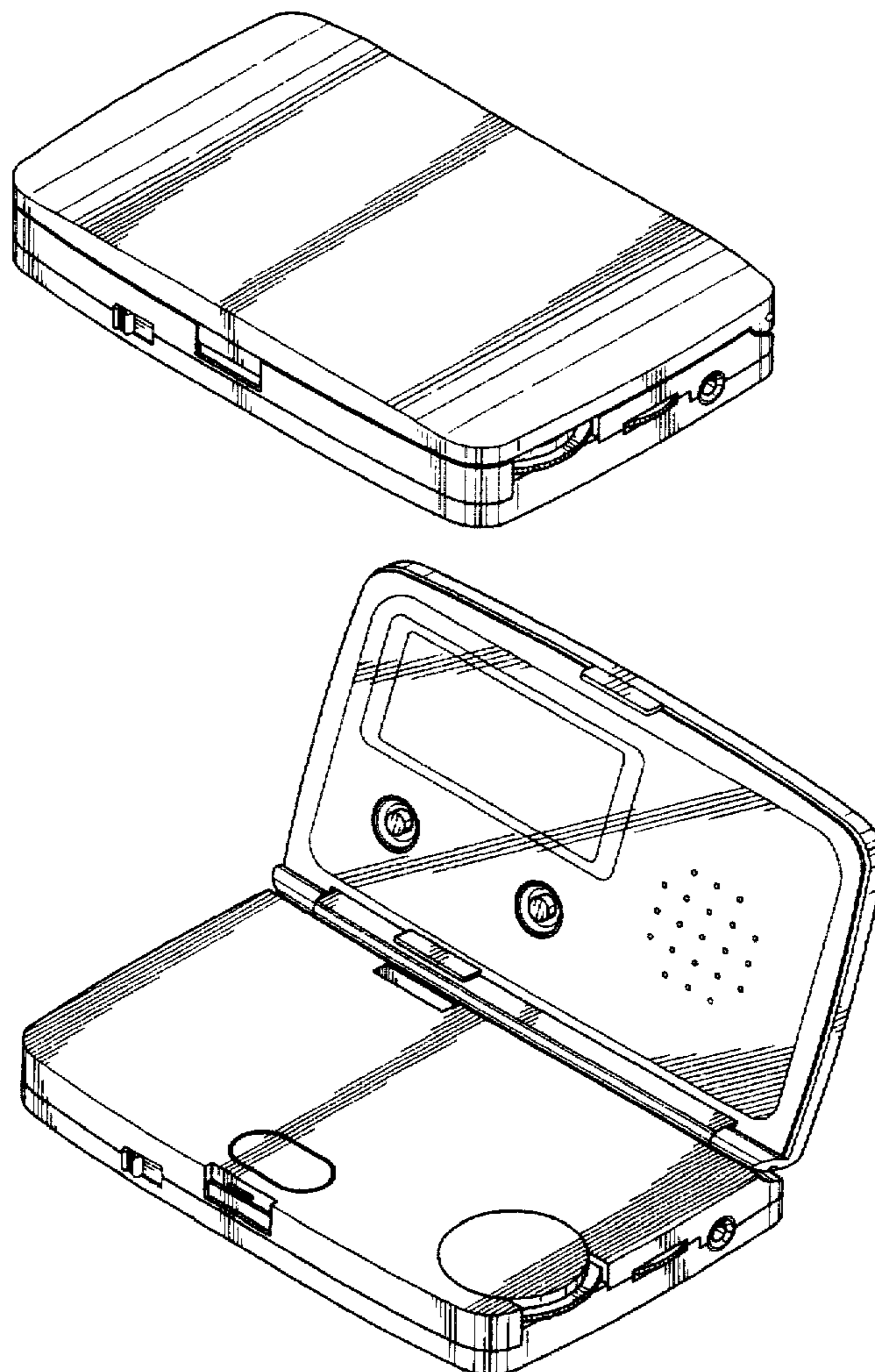
[57] **CLAIM**

The ornamental design for an alarm clock radio, as shown and described.

DESCRIPTION

- FIG. 1 is a front perspective view of an alarm clock radio showing my new design;
- FIG. 2 is a front perspective view in opened position;
- FIG. 3 is a front view of FIG. 1;
- FIG. 4 is a rear view thereof;
- FIG. 5 is a left side view thereof;
- FIG. 6 is a right side view thereof;
- FIG. 7 is a top plan view thereof;
- FIG. 8 is a bottom plan view thereof.

1 Claim, 5 Drawing Sheets



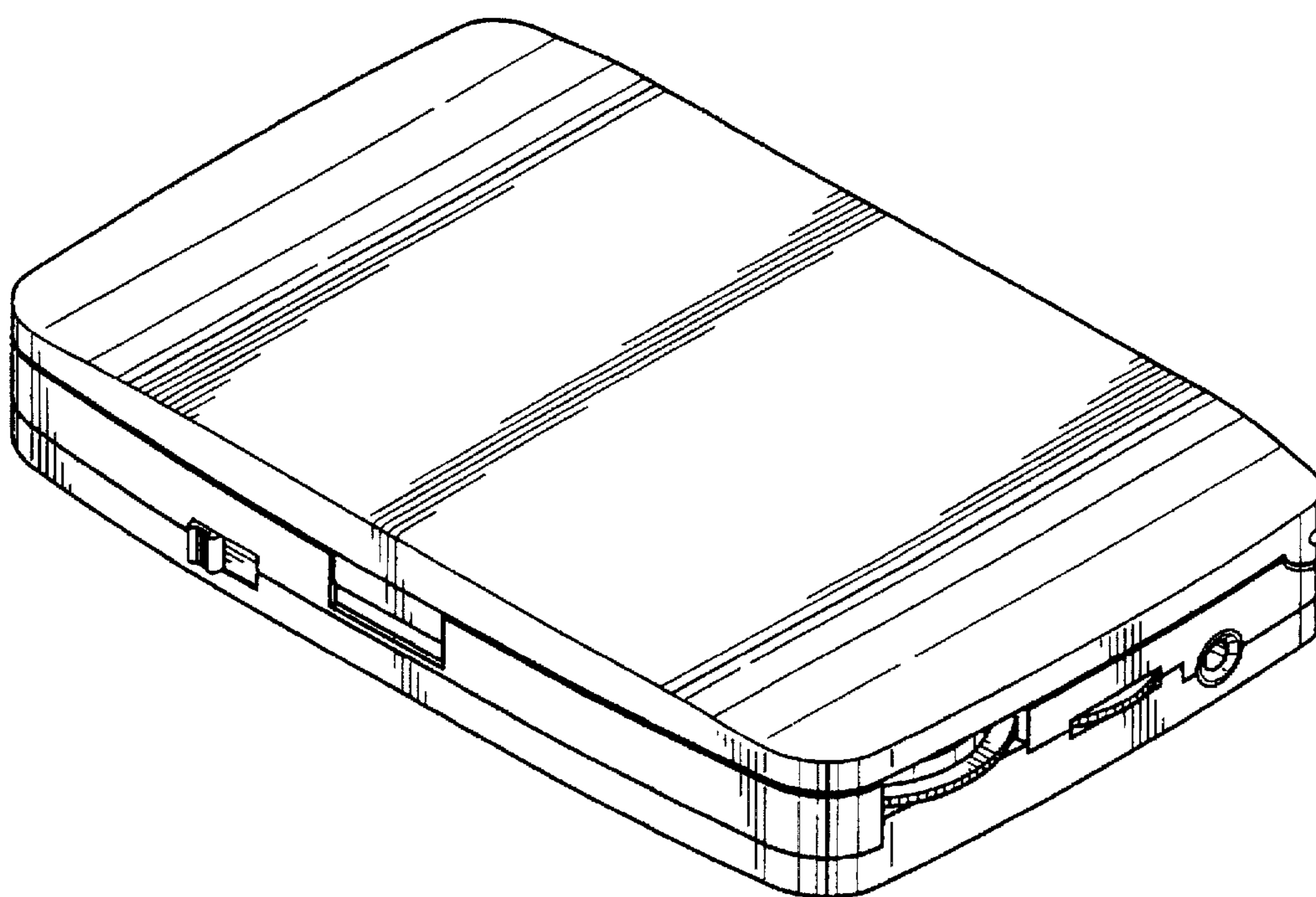


FIG. 1

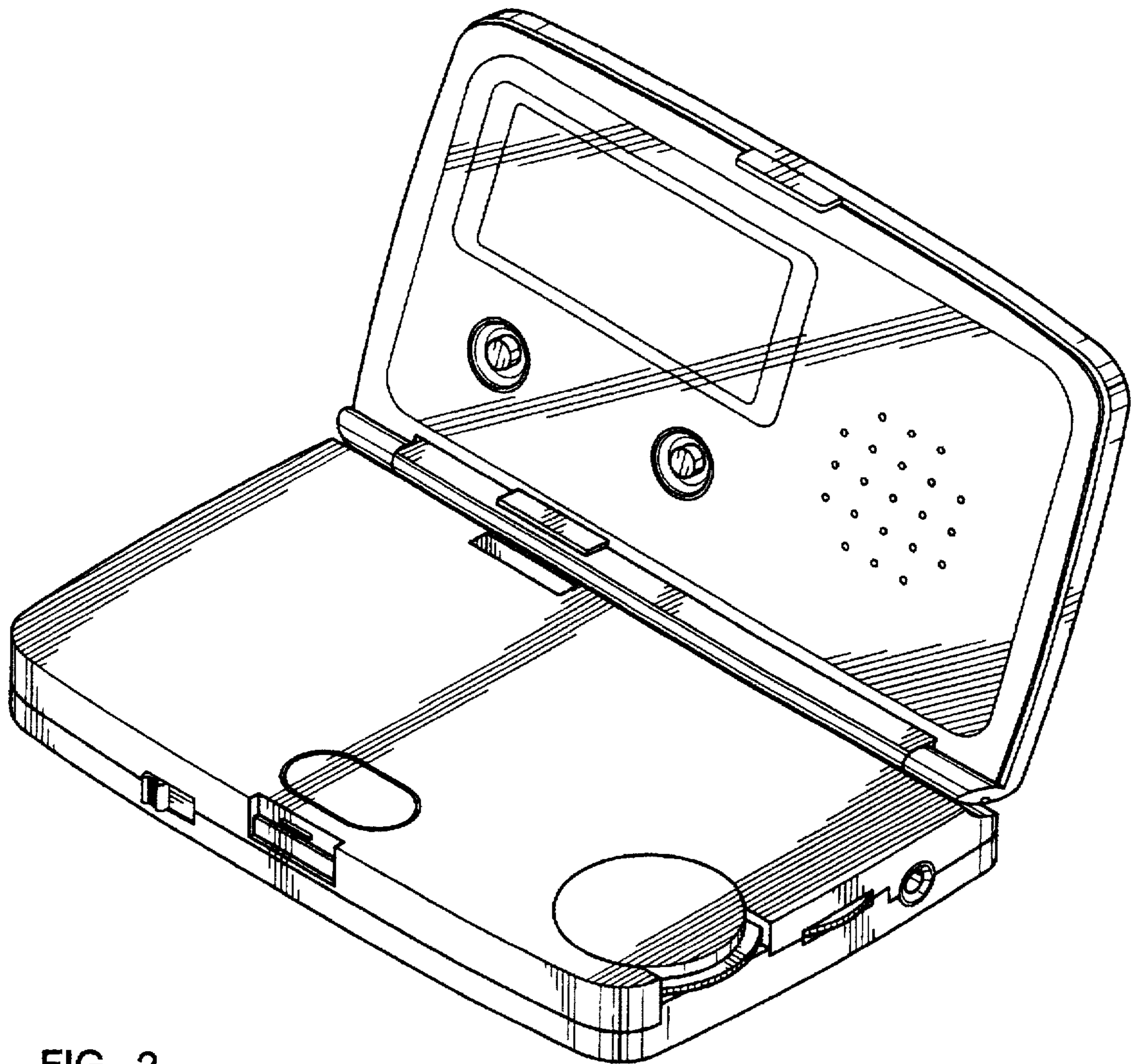


FIG. 2

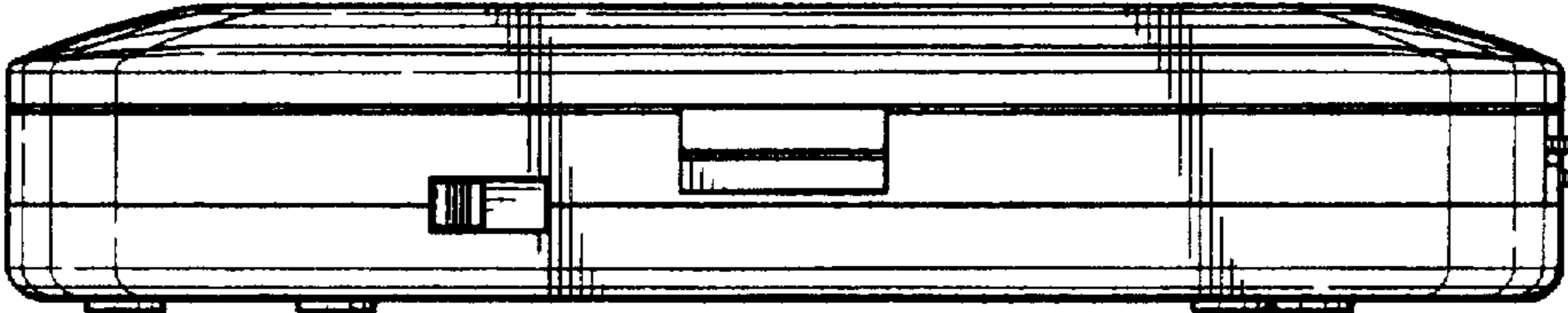


FIG. 3

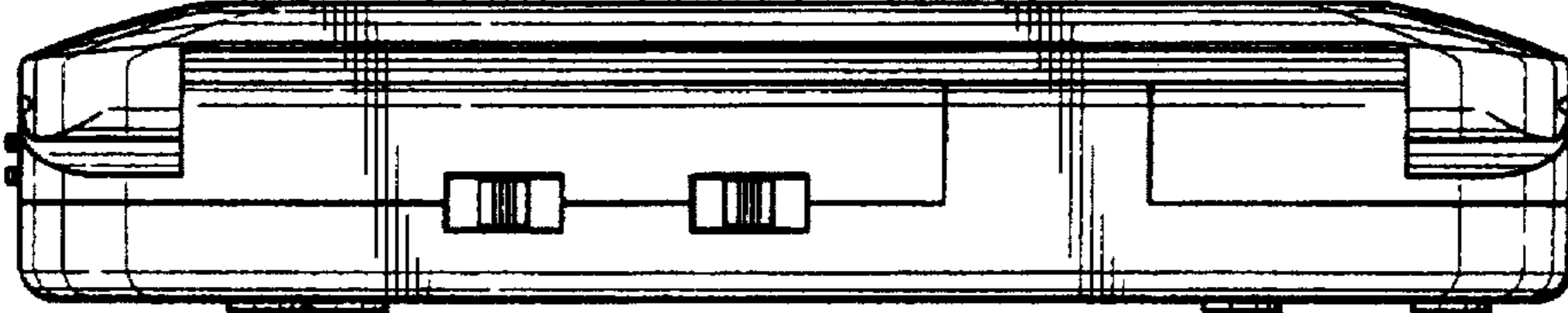


FIG. 4

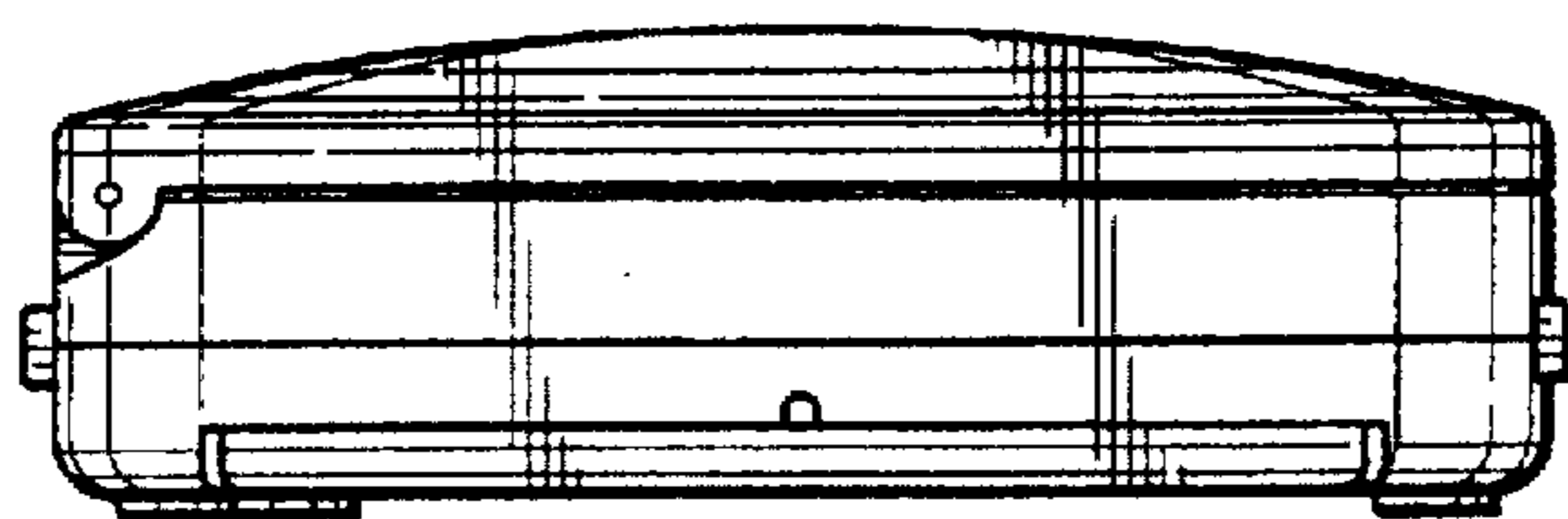


FIG. 5

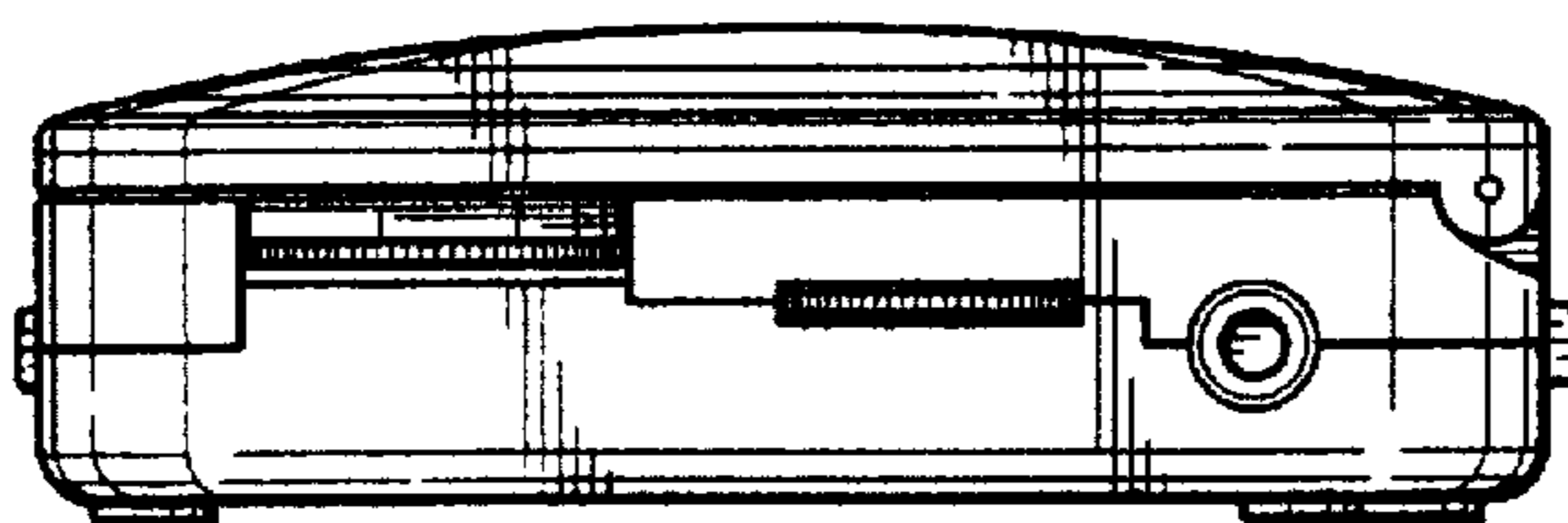


FIG. 6

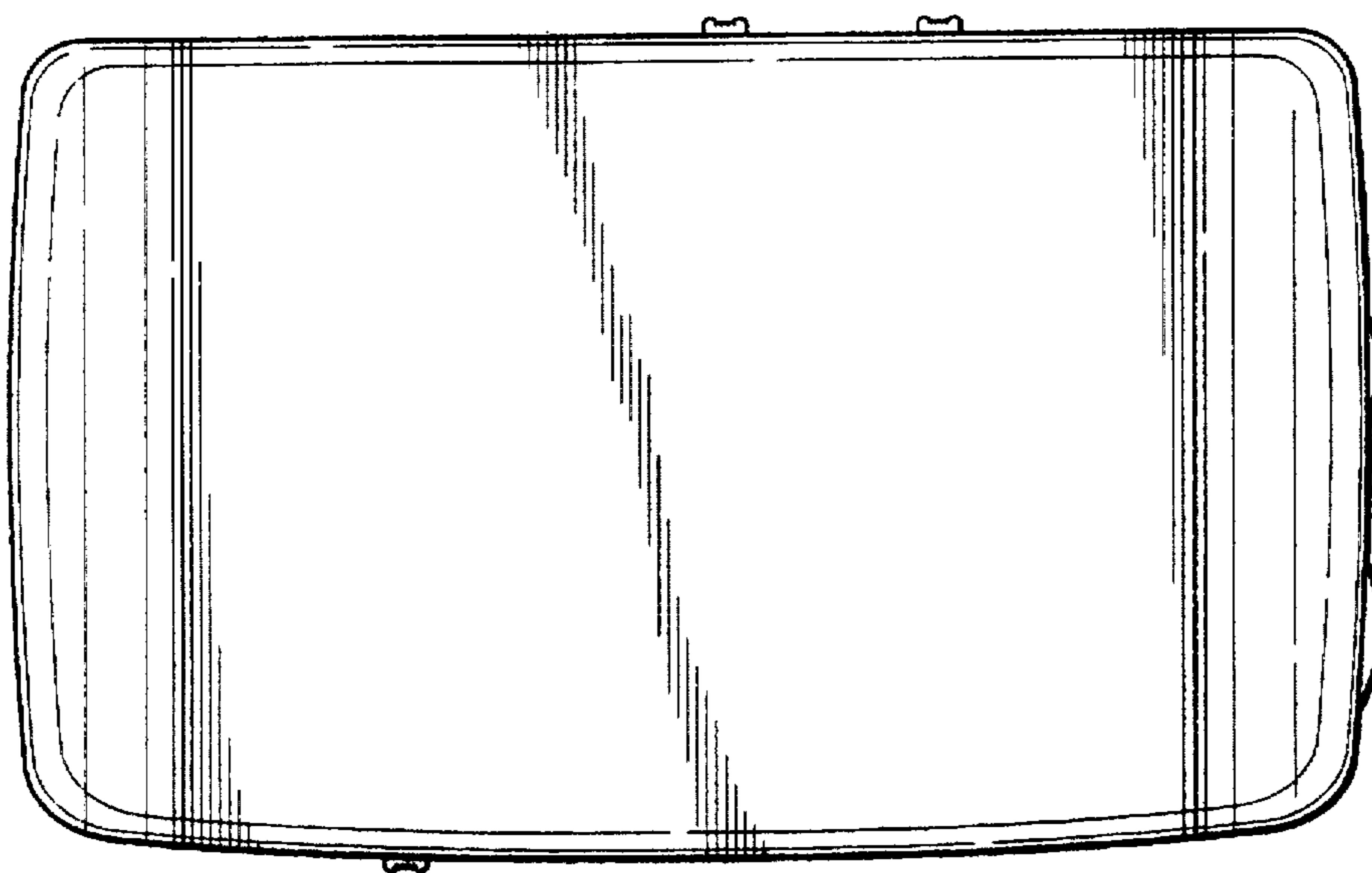


FIG. 7

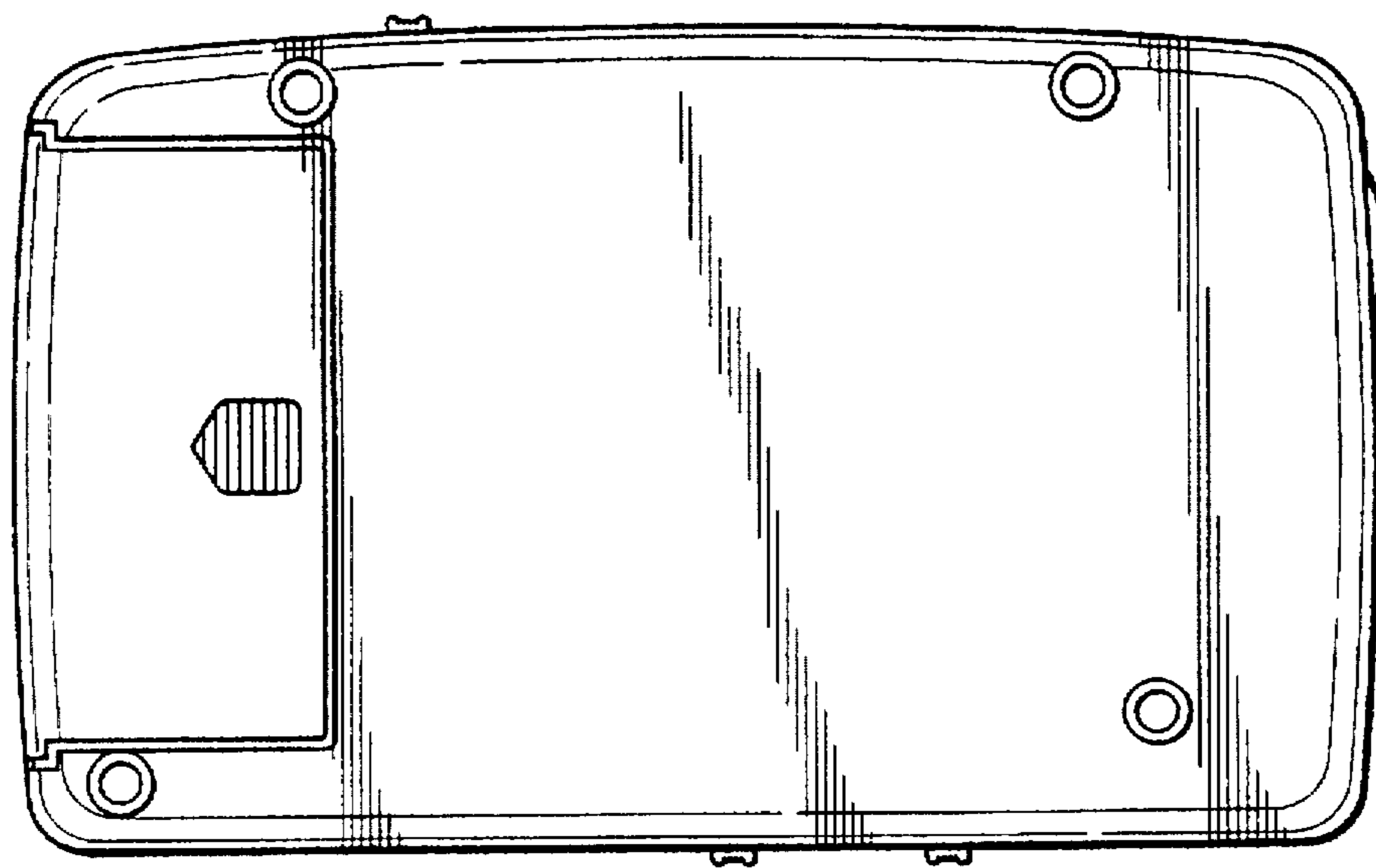


FIG. 8