



US00D391251S

United States Patent [19]

[11] Patent Number: **Des. 391,251**

Yuyama et al.

[45] Date of Patent: ****Feb. 24, 1998**

[54] TELEVISION

[75] Inventors: **Yasuo Yuyama; Kiyoshi Ota**, both of Tokyo, Japan

[73] Assignee: **Sony Corporation**, Tokyo, Japan

[**] Term: **14 Years**

[21] Appl. No.: **56,864**

[22] Filed: **Jul. 10, 1996**

[30] Foreign Application Priority Data

Jan. 12, 1996 [JP] Japan 8-316

[51] LOC (6) Cl. **14-03**

[52] U.S. Cl. **D14/132; D12/415**

[58] Field of Search D14/113, 124-134; D12/345, 415; D24/158; 312/7.2; 348/827, 836, 837; 248/917-924; 297/188.16, 217.3; 340/995

[56] References Cited

U.S. PATENT DOCUMENTS

D. 324,040	2/1992	Saito et al.	D14/126
4,983,951	1/1991	Igarashi et al.	340/995 X
5,161,028	11/1992	Kawata et al.	348/837
5,173,686	12/1992	Fujhara	248/920 X

Primary Examiner—Prabhakar G. Deshmukh

Assistant Examiner—Richelle Shelton

Attorney, Agent, or Firm—Foley & Lardner

[57] CLAIM

The ornamental design for a television, as shown and described.

DESCRIPTION

FIG. 1 is a perspective view of a first embodiment of a television showing our new design;

FIG. 2 is a perspective view thereof wherein the display portion is in the drawer portion;

FIG. 3 is a perspective view thereof wherein the drawer portion is closed;

FIG. 4 is a top plan view thereof;

FIG. 5 is a left side elevational view thereof;

FIG. 6 is a front elevational view thereof;

FIG. 7 is a bottom plan view thereof;

FIG. 8 is a right side elevational view thereof;

FIG. 9 is a rear elevational view thereof;

FIG. 10 is a perspective view of a second embodiment of a television showing our new design;

FIG. 11 is a perspective view of the embodiment of FIG. 10 wherein the display portion is stored in the drawer portion;

FIG. 12 is a perspective view of the embodiment of FIG. 10 wherein the drawer portion is closed;

FIG. 13 is a top plan view of the embodiment of FIG. 10;

FIG. 14 is a left side elevational view of the embodiment of FIG. 10;

FIG. 15 is a front elevational view of the embodiment of FIG. 10;

FIG. 16 is a bottom plan view of the embodiment of FIG. 10;

FIG. 17 is a right side elevational view of the embodiment of FIG. 10;

FIG. 18 is a rear elevational view of the embodiment of FIG. 10;

FIG. 19 is a perspective view of a third embodiment of a television showing our new design;

FIG. 20 is a perspective view of the embodiment of FIG. 19 wherein the display portion is stored in the drawer portion;

FIG. 21 is a perspective view of the embodiment of FIG. 19 wherein the drawer portion is closed;

FIG. 22 is a top plan view of the embodiment of FIG. 19;

FIG. 23 is a left side elevational view of the embodiment of FIG. 19;

FIG. 24 is a front elevational view of the embodiment of FIG. 19;

FIG. 25 is a bottom plan view of the embodiment of FIG. 19;

FIG. 26 is a right side elevational view of the embodiment of FIG. 19; and,

FIG. 27 is a rear elevational view of the embodiment of FIG. 19.

1 Claim, 18 Drawing Sheets

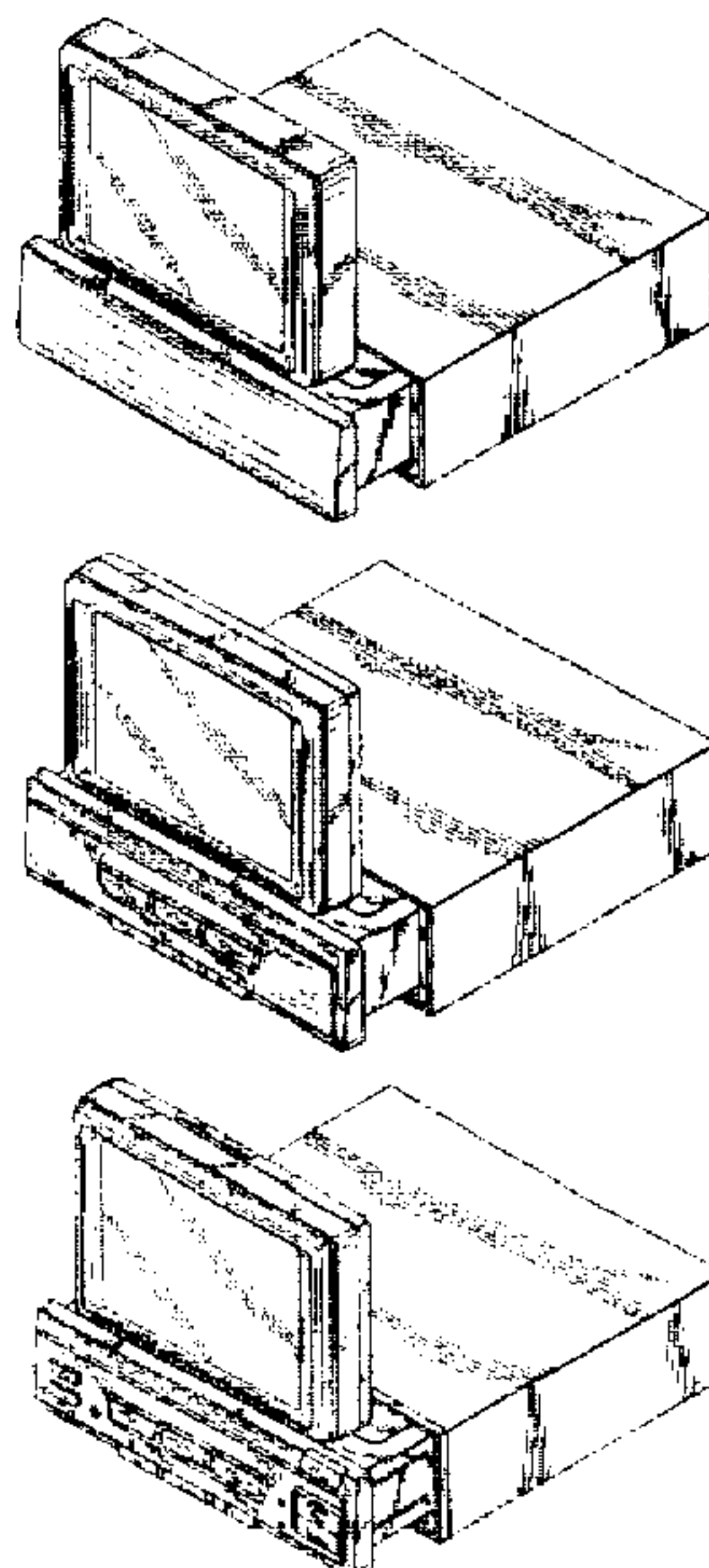


FIG. 1

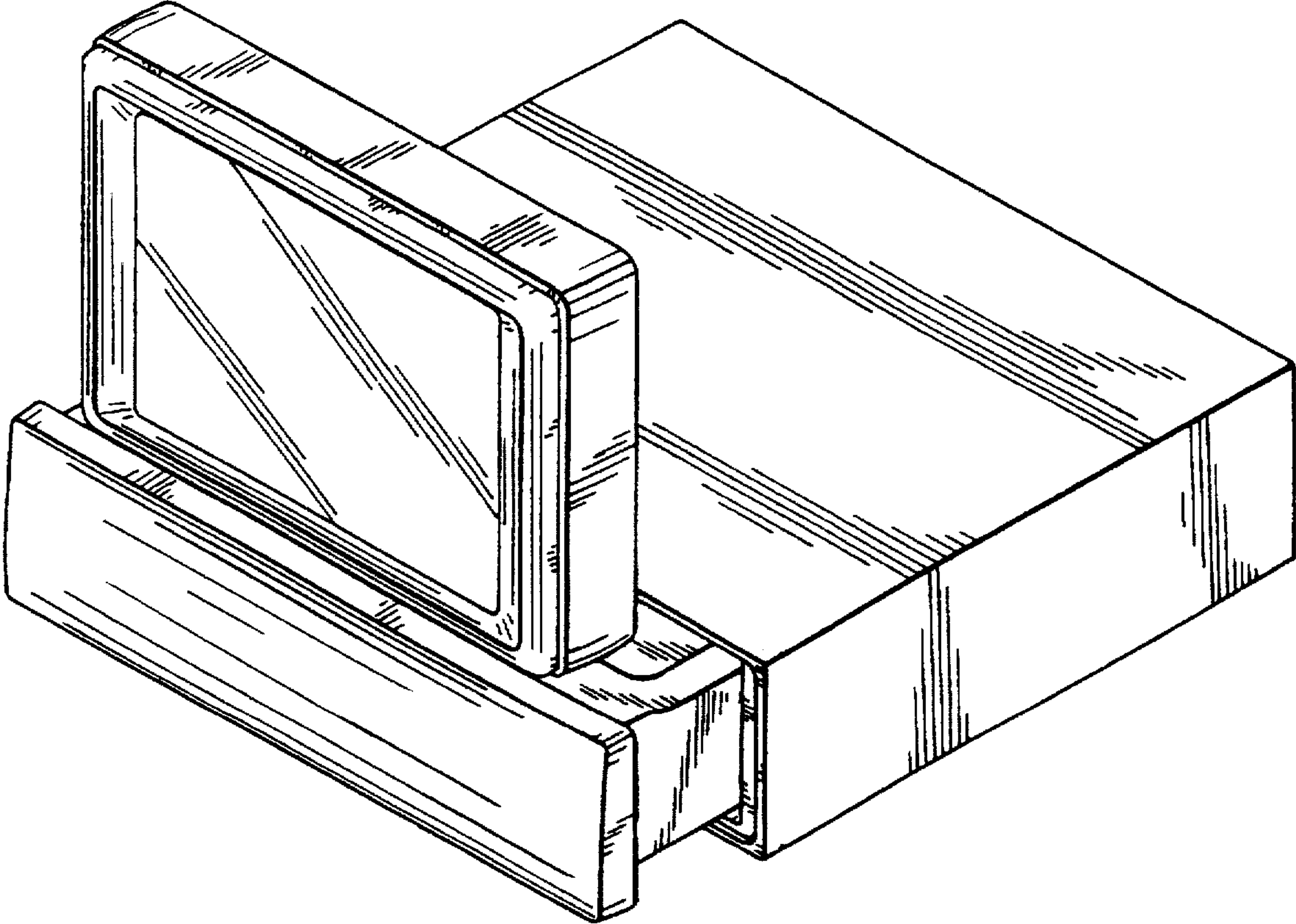


FIG. 2

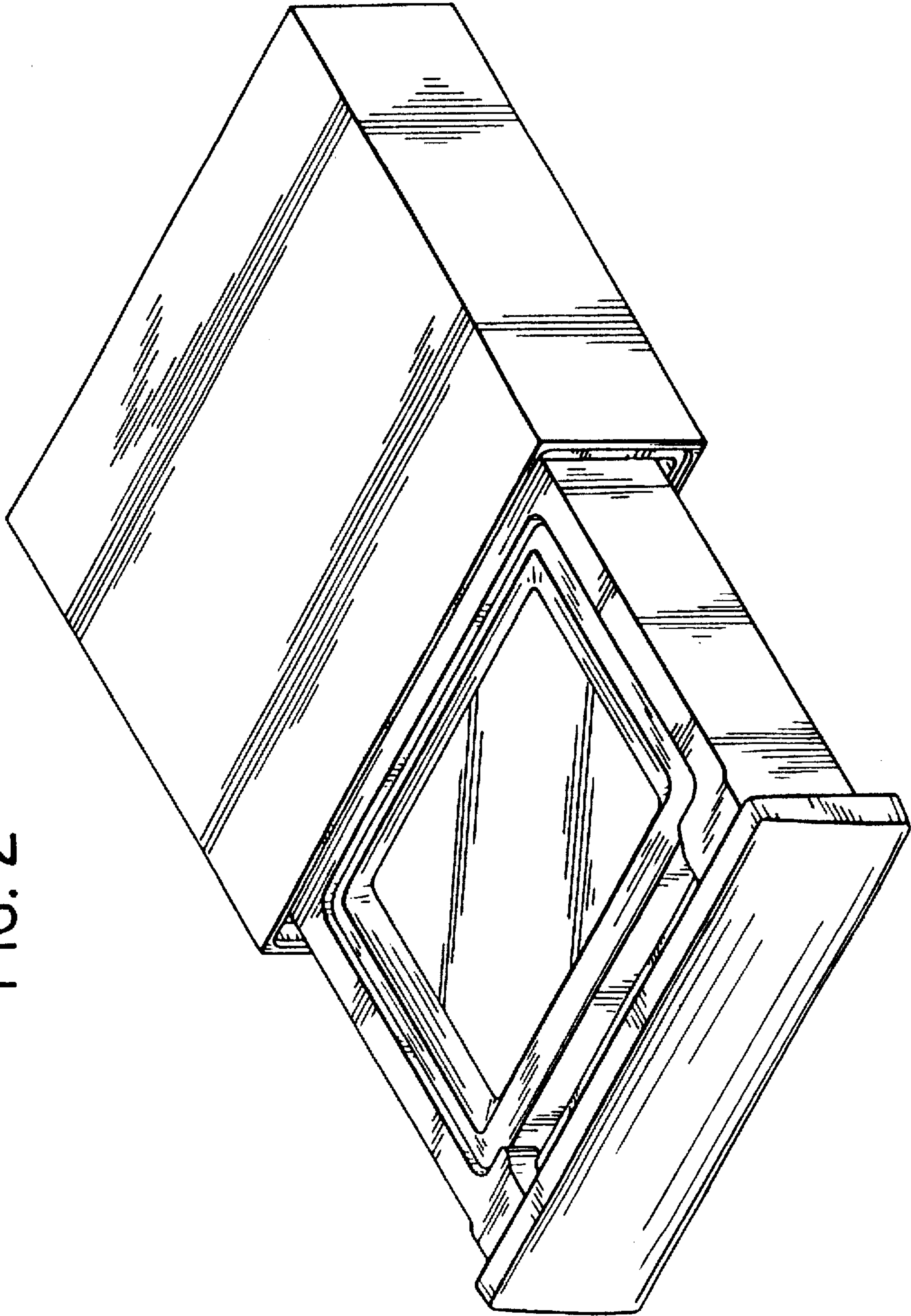


FIG. 3

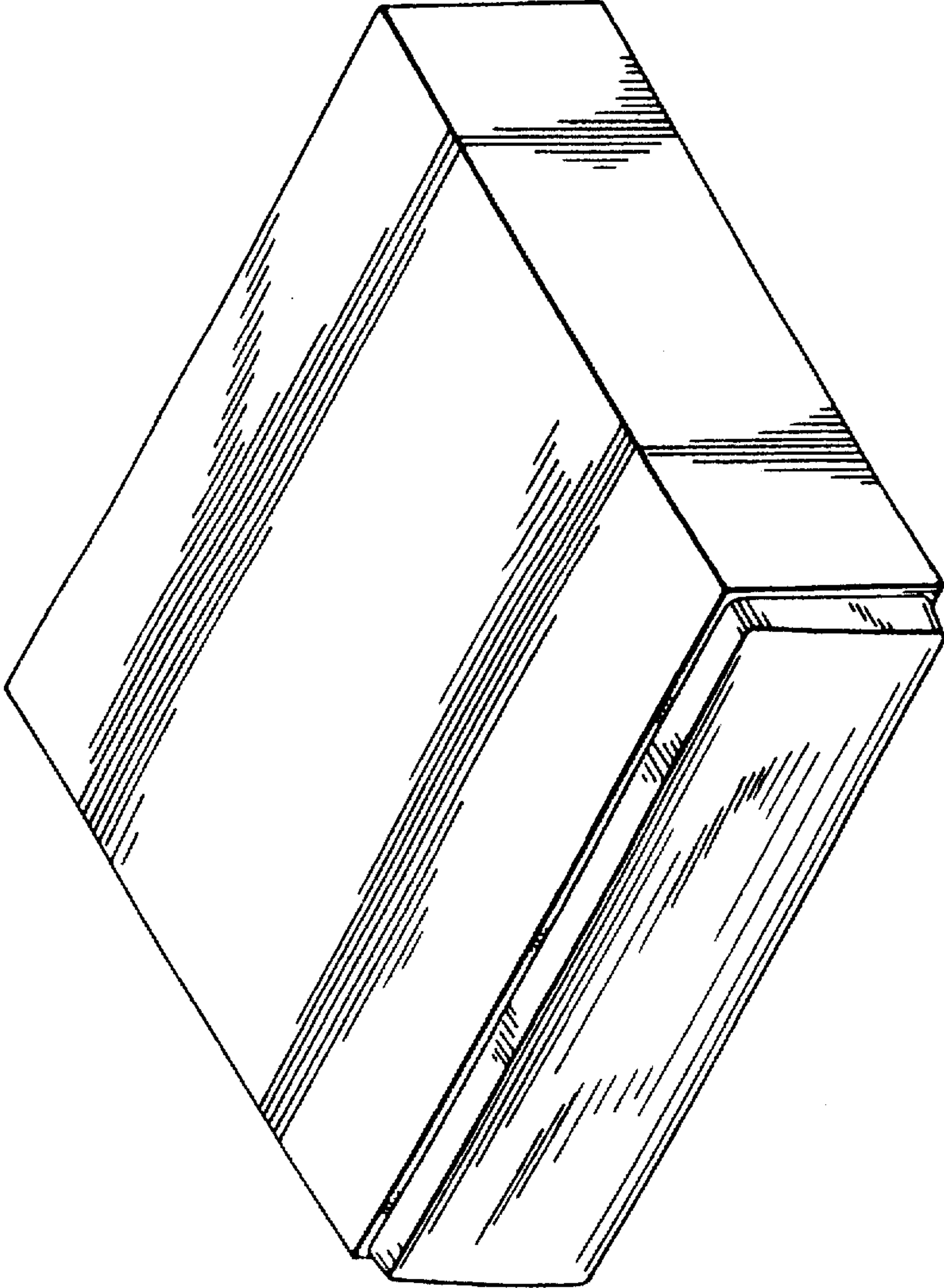


FIG. 4

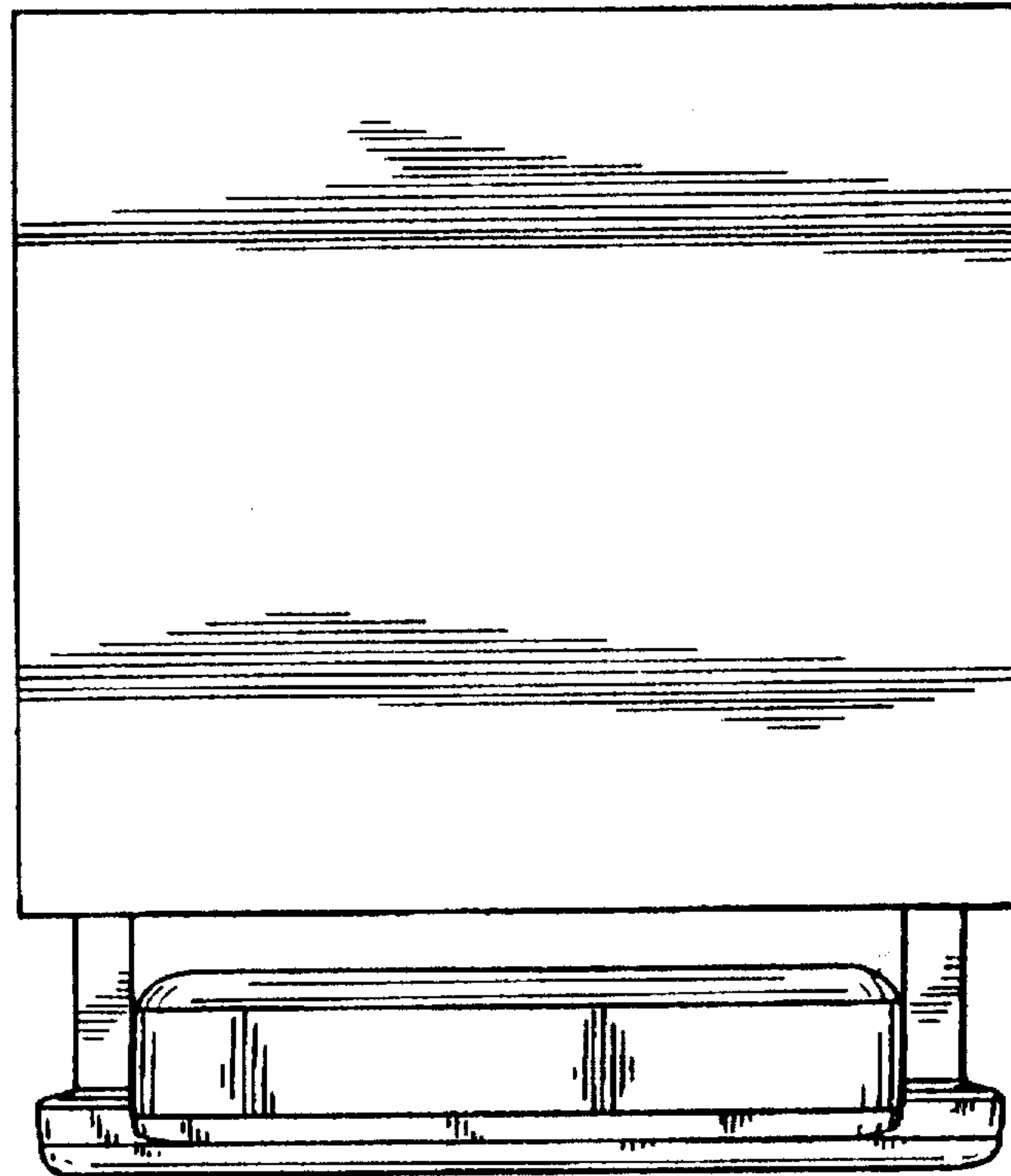


FIG. 6

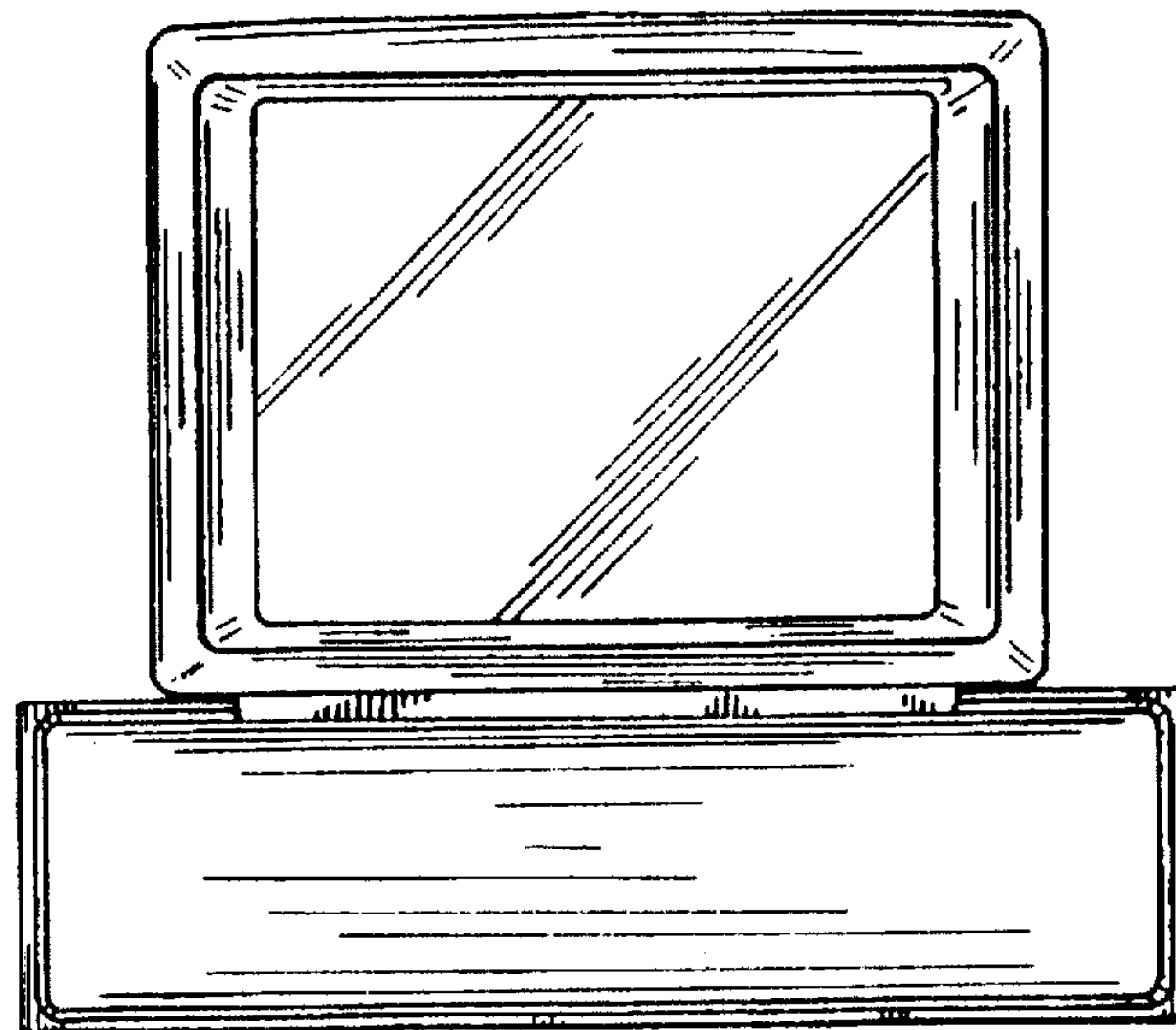


FIG. 5

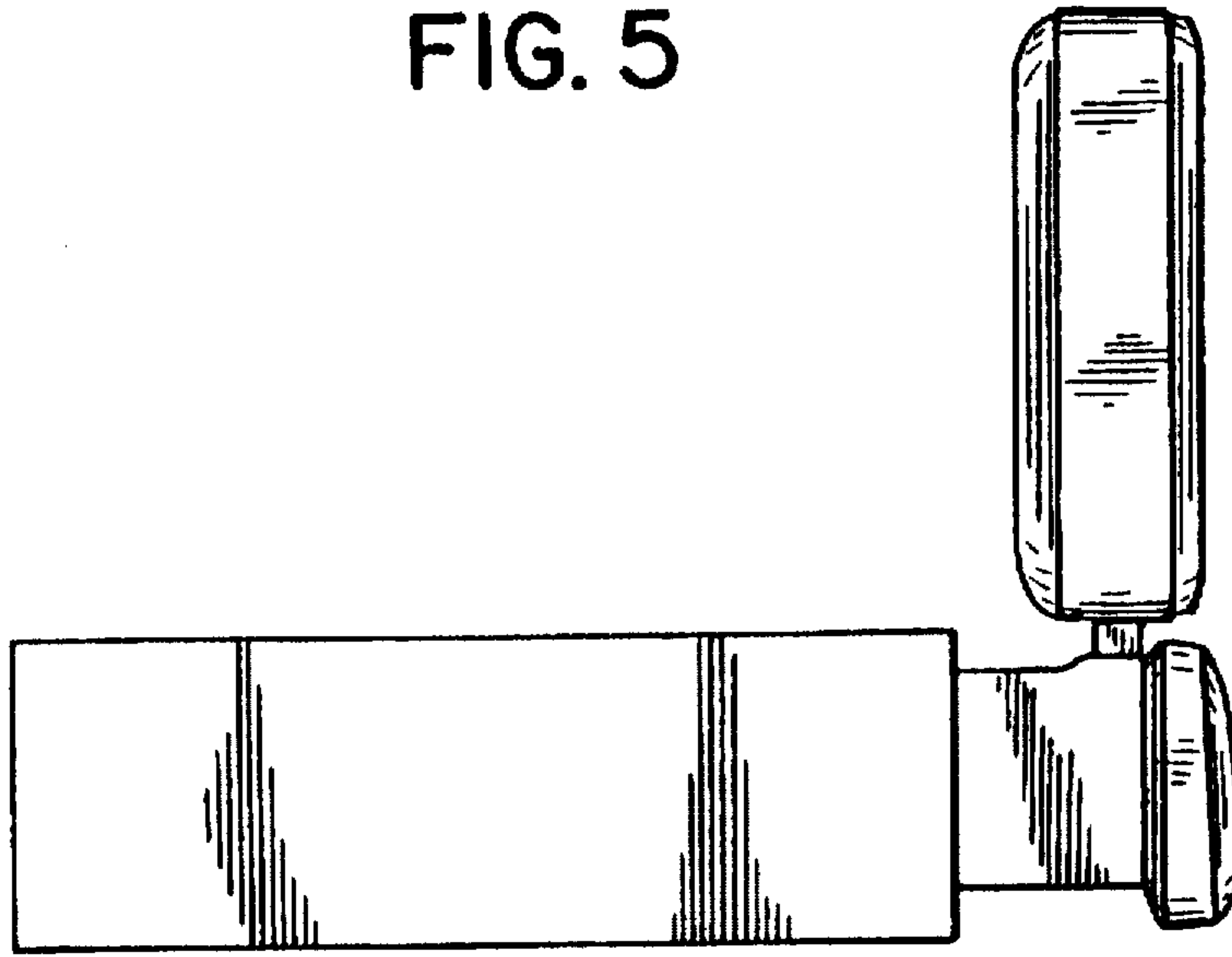


FIG. 7

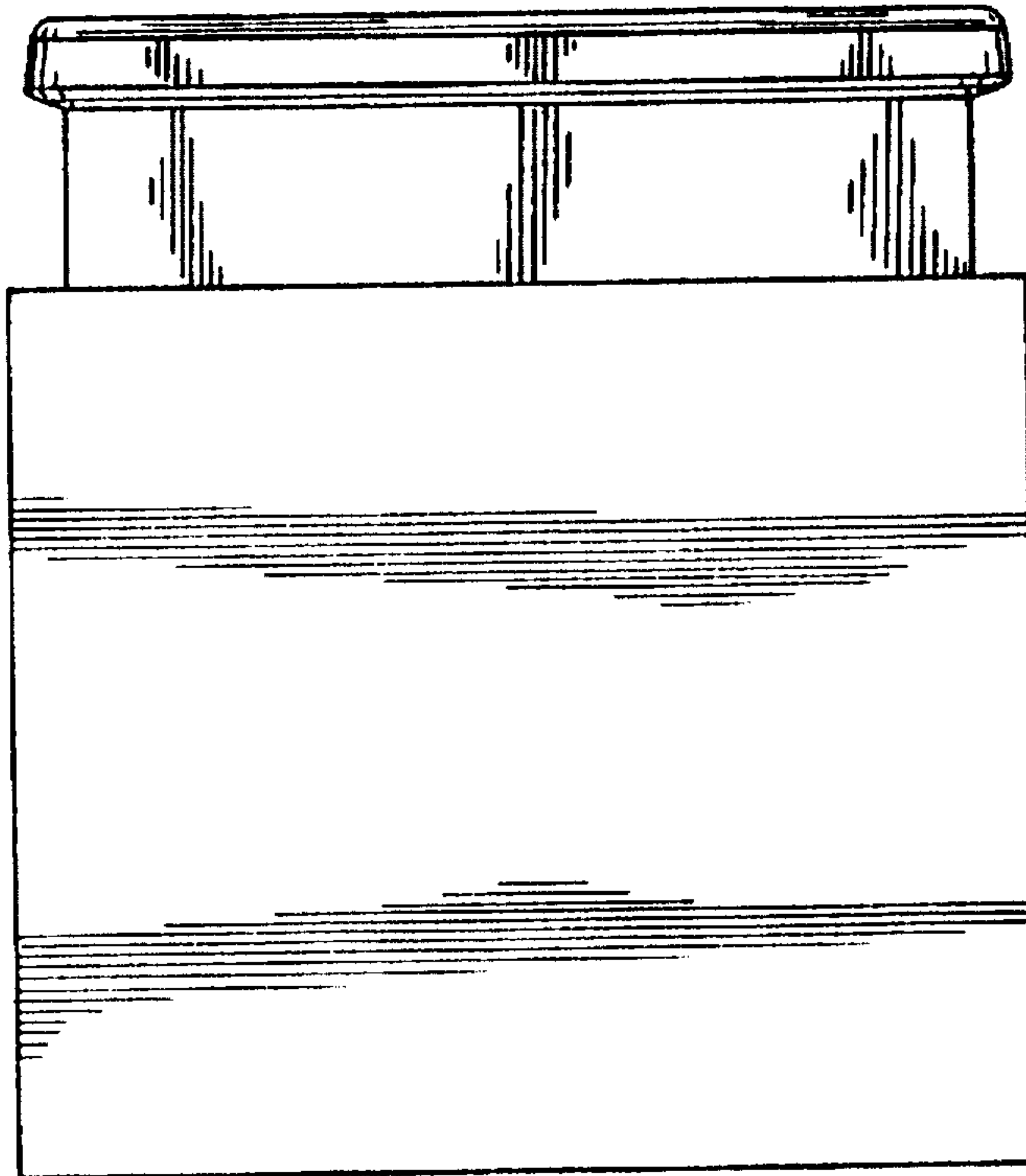


FIG. 8

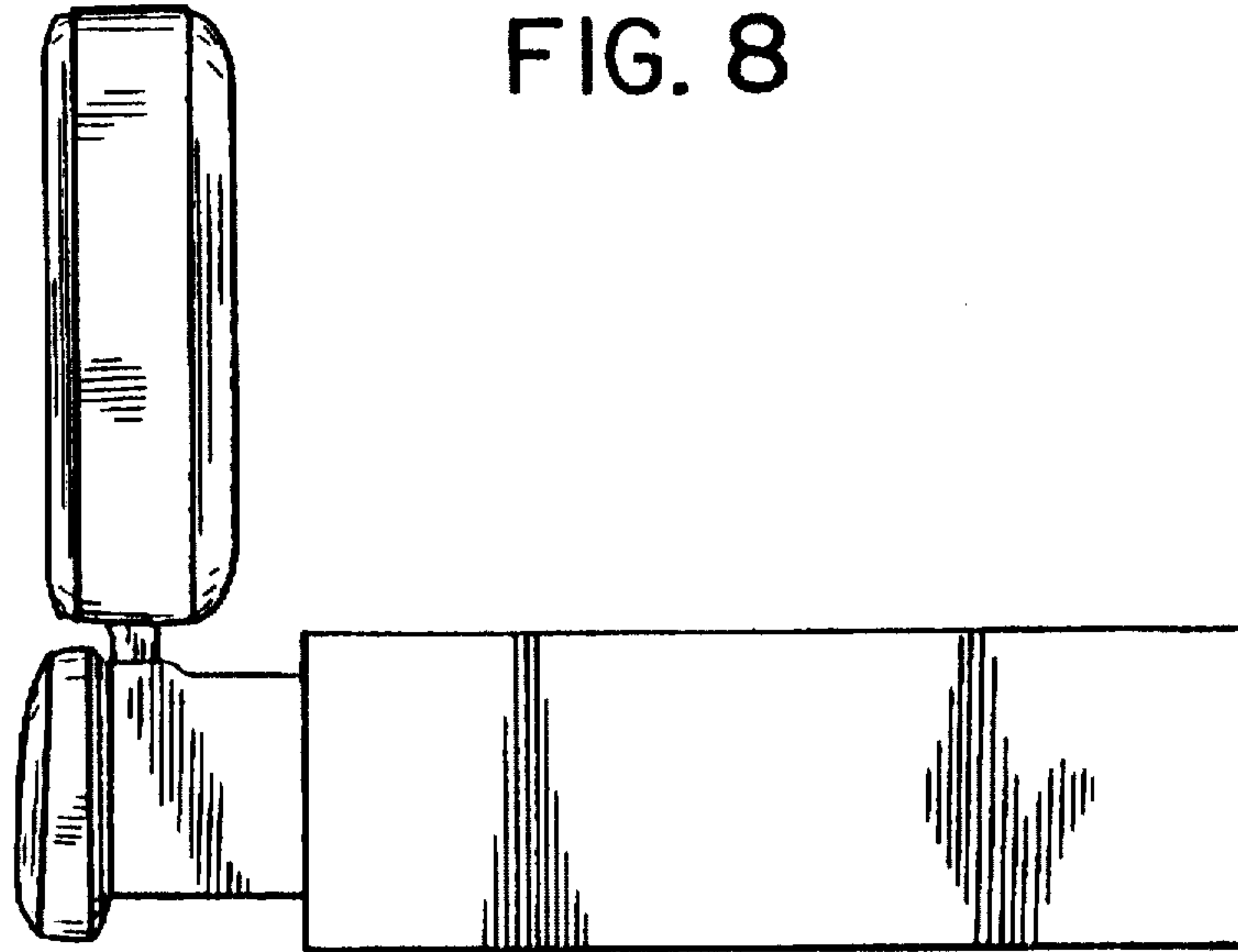


FIG. 9

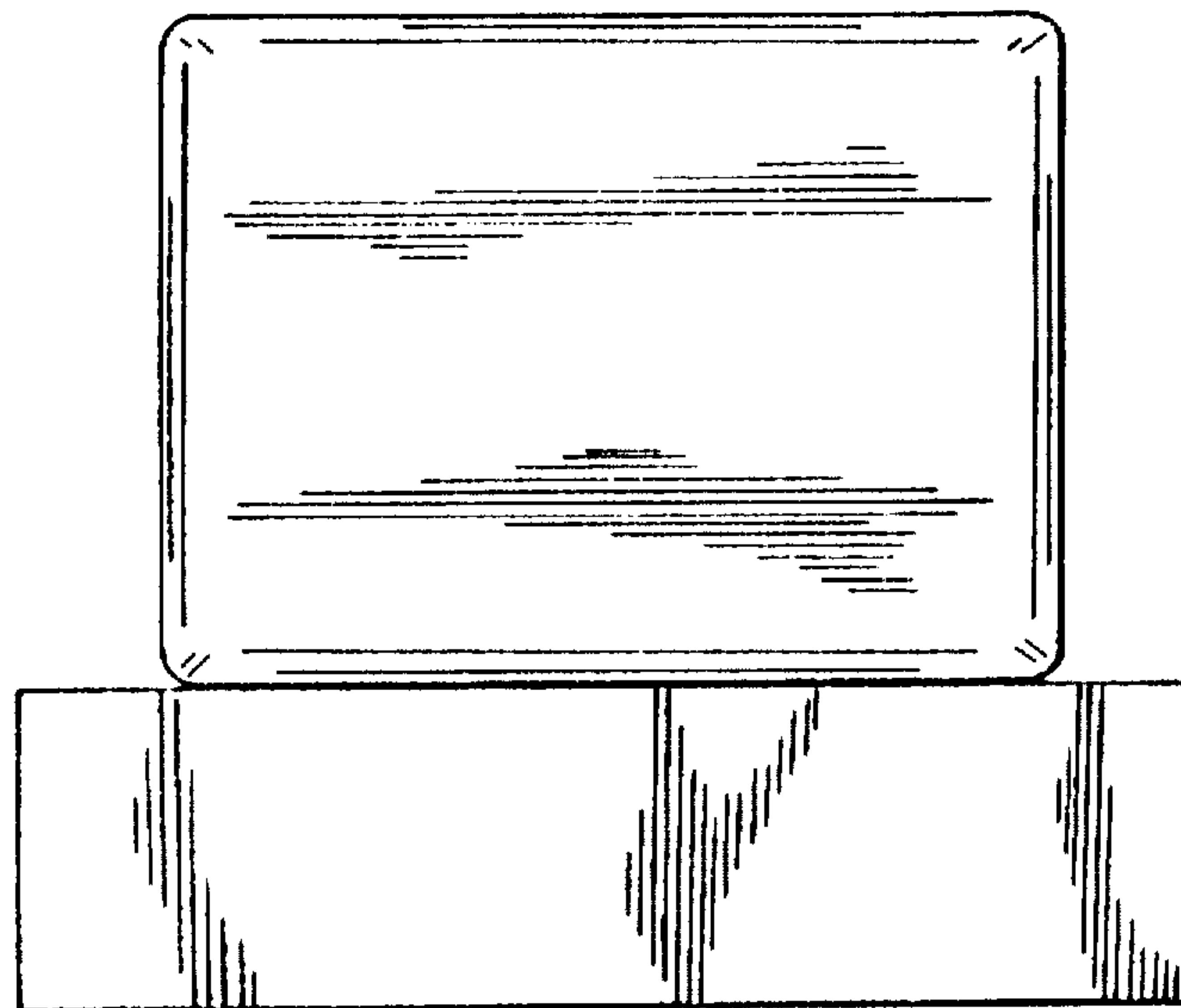


FIG. 10

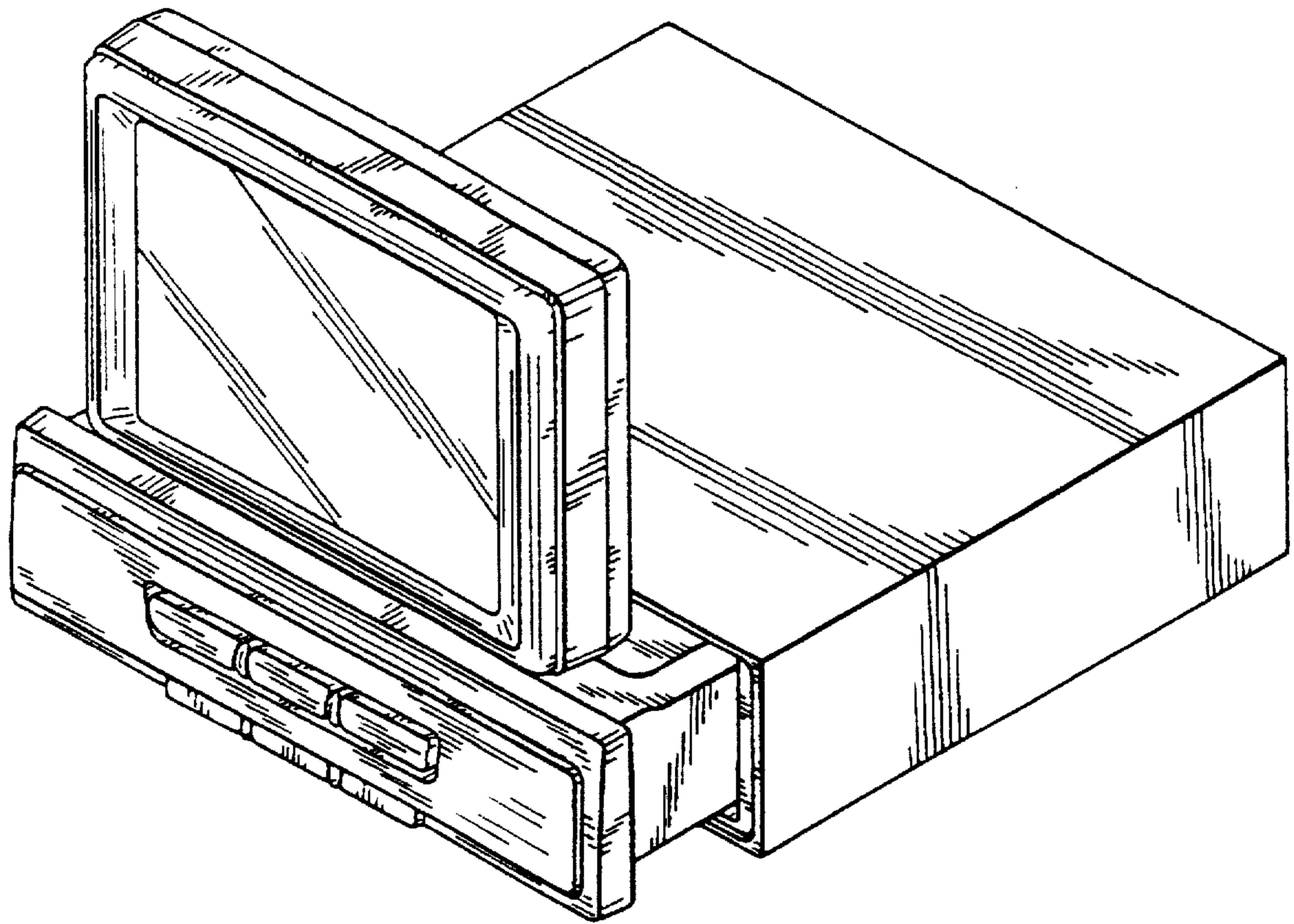


FIG. 11

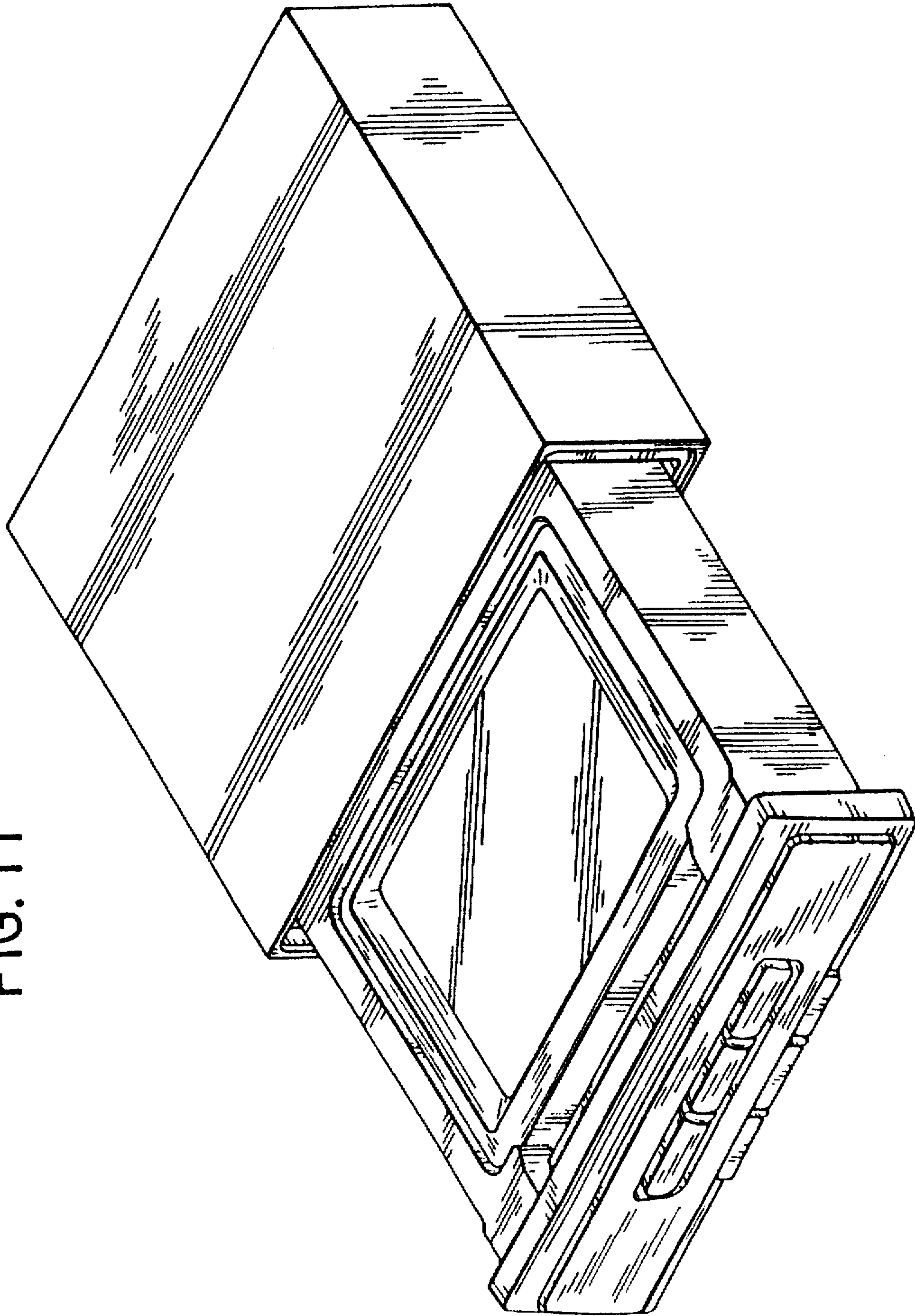


FIG. 12

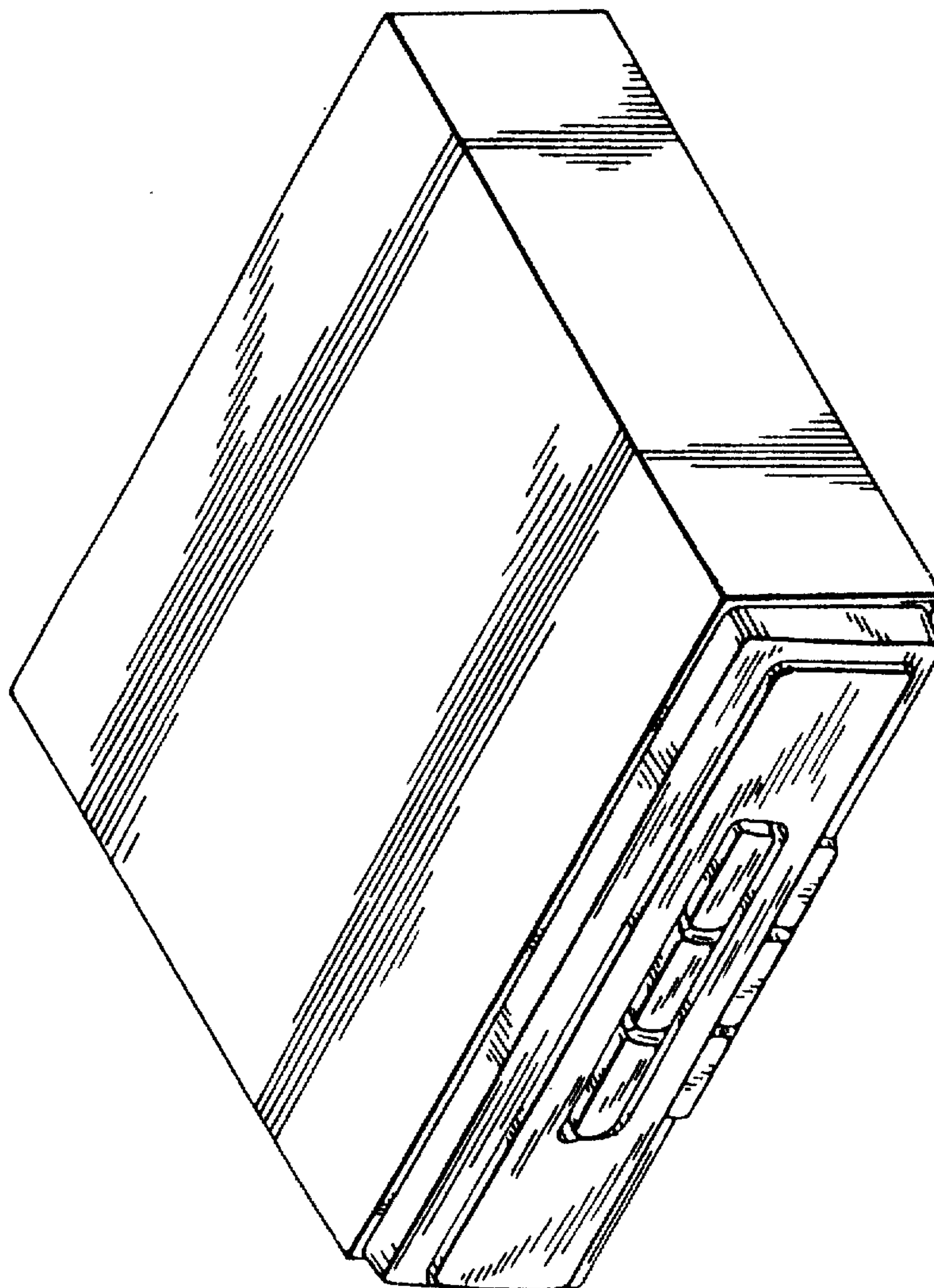


FIG. 13

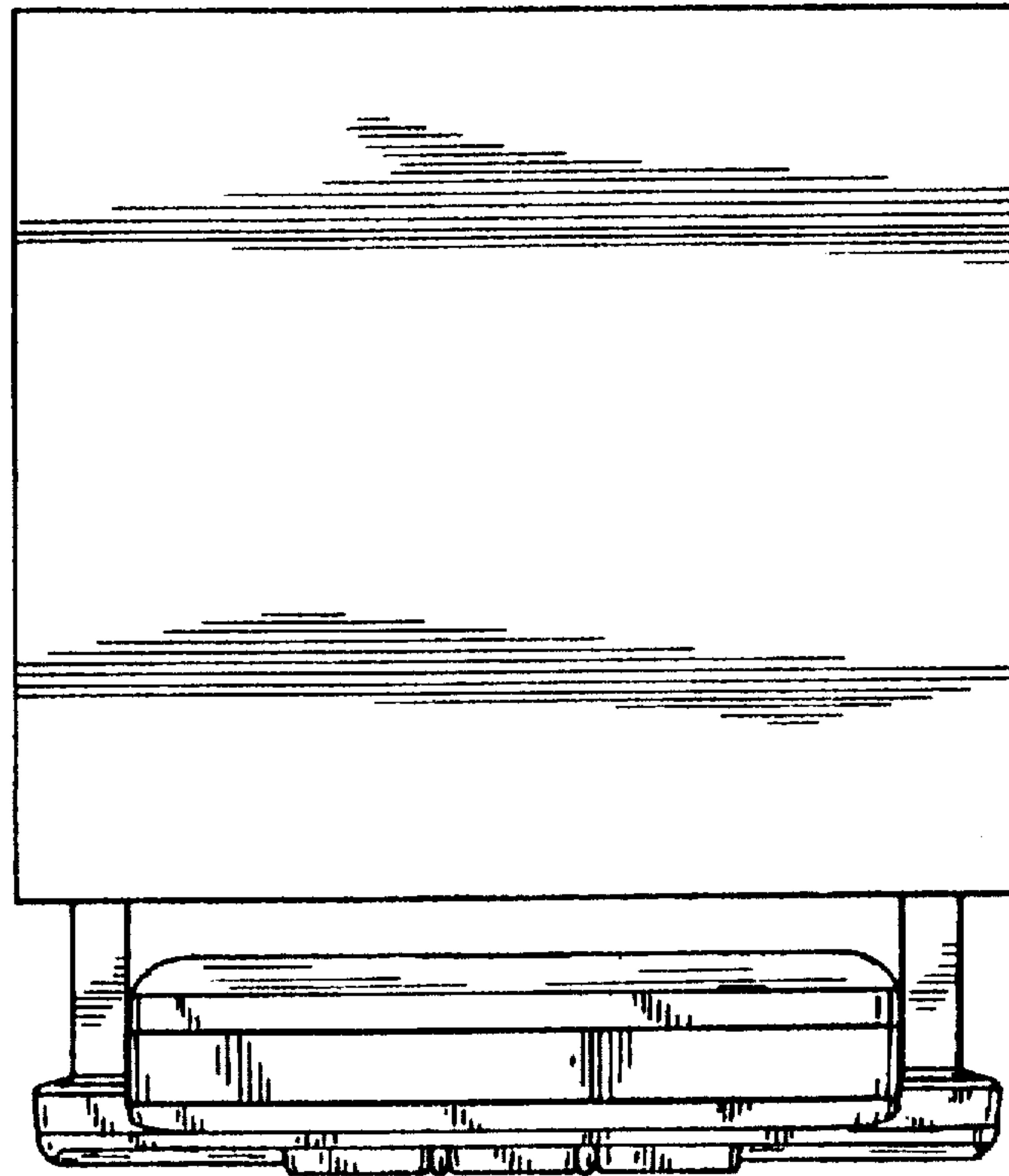


FIG. 15

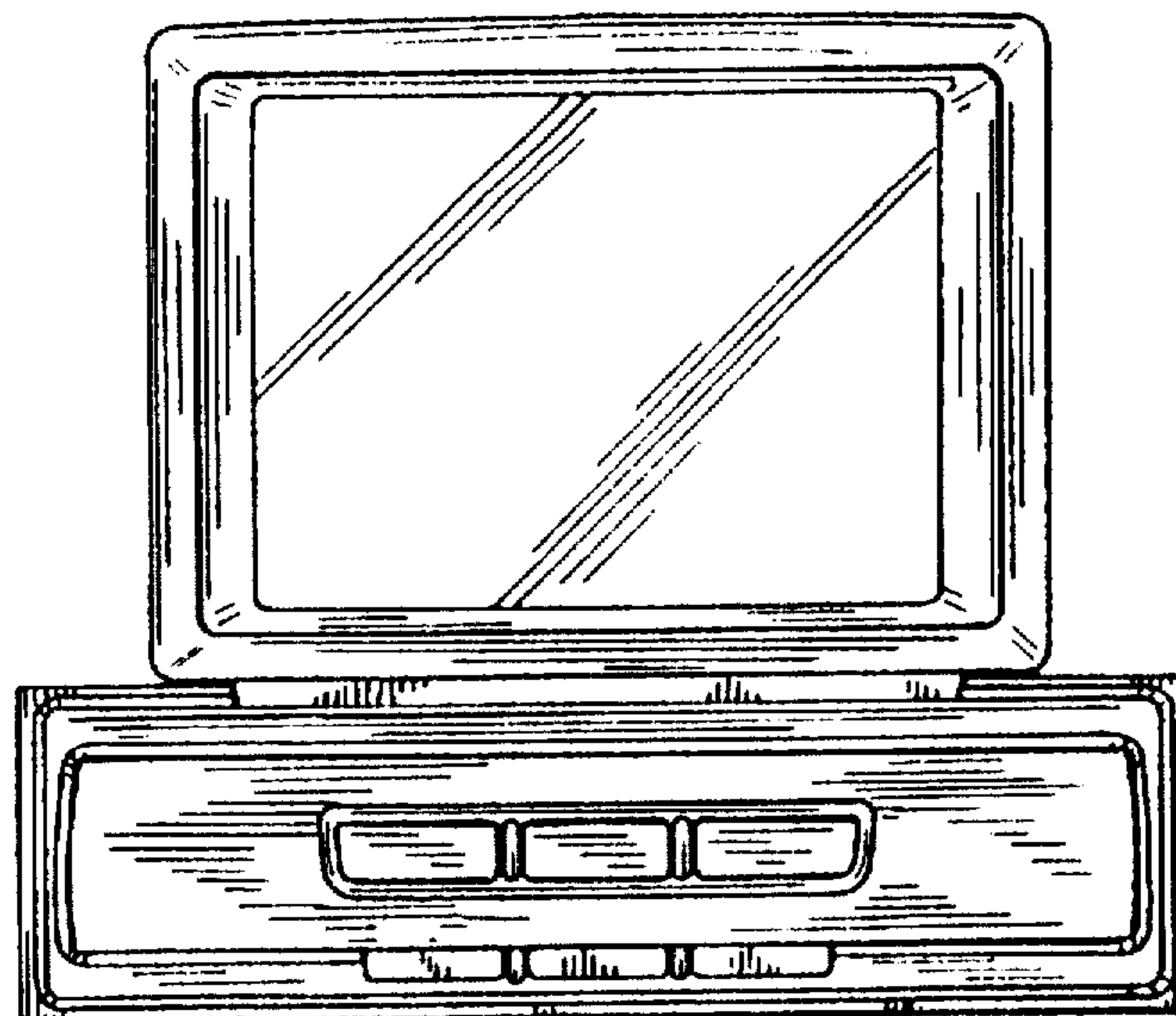


FIG. 14

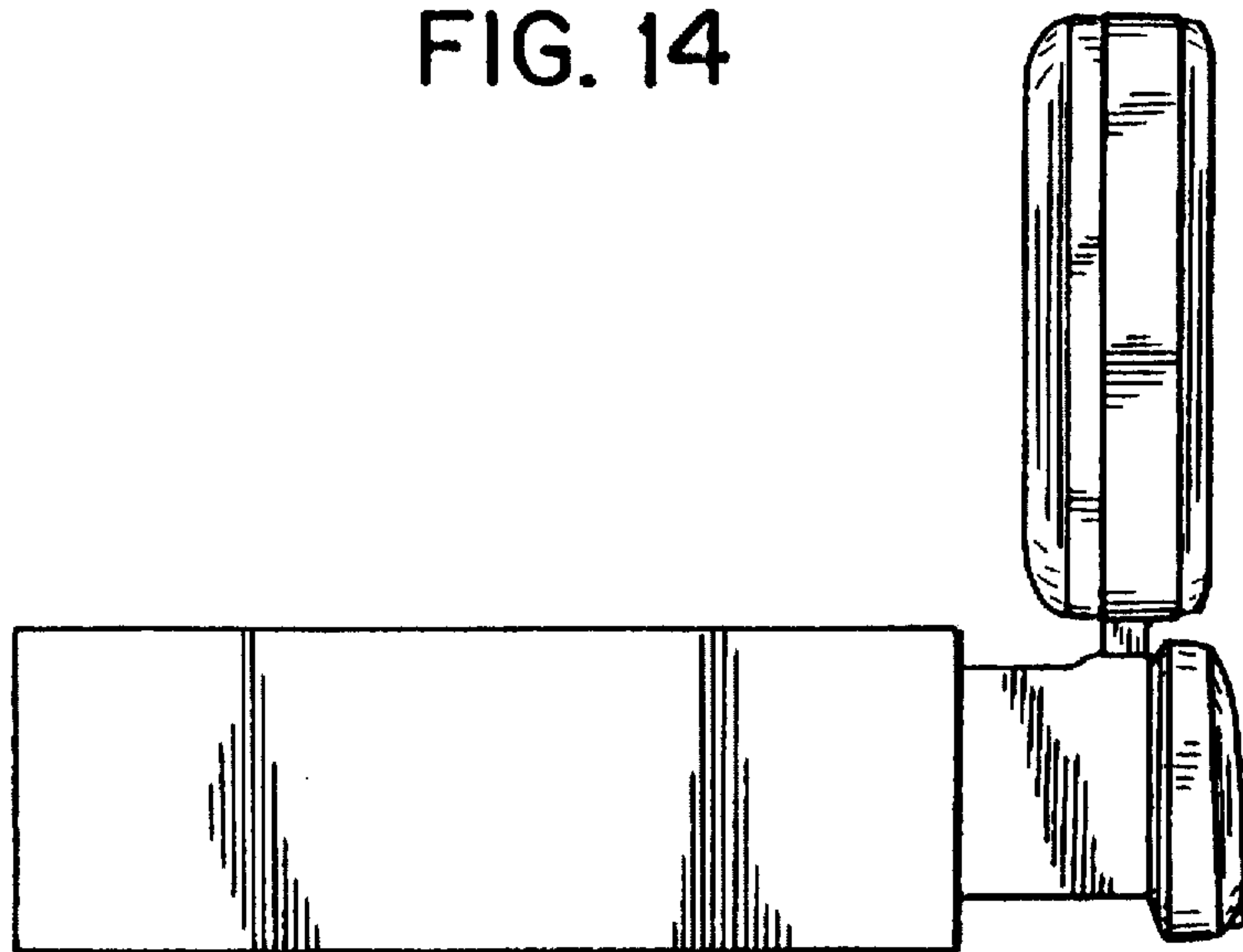


FIG. 16

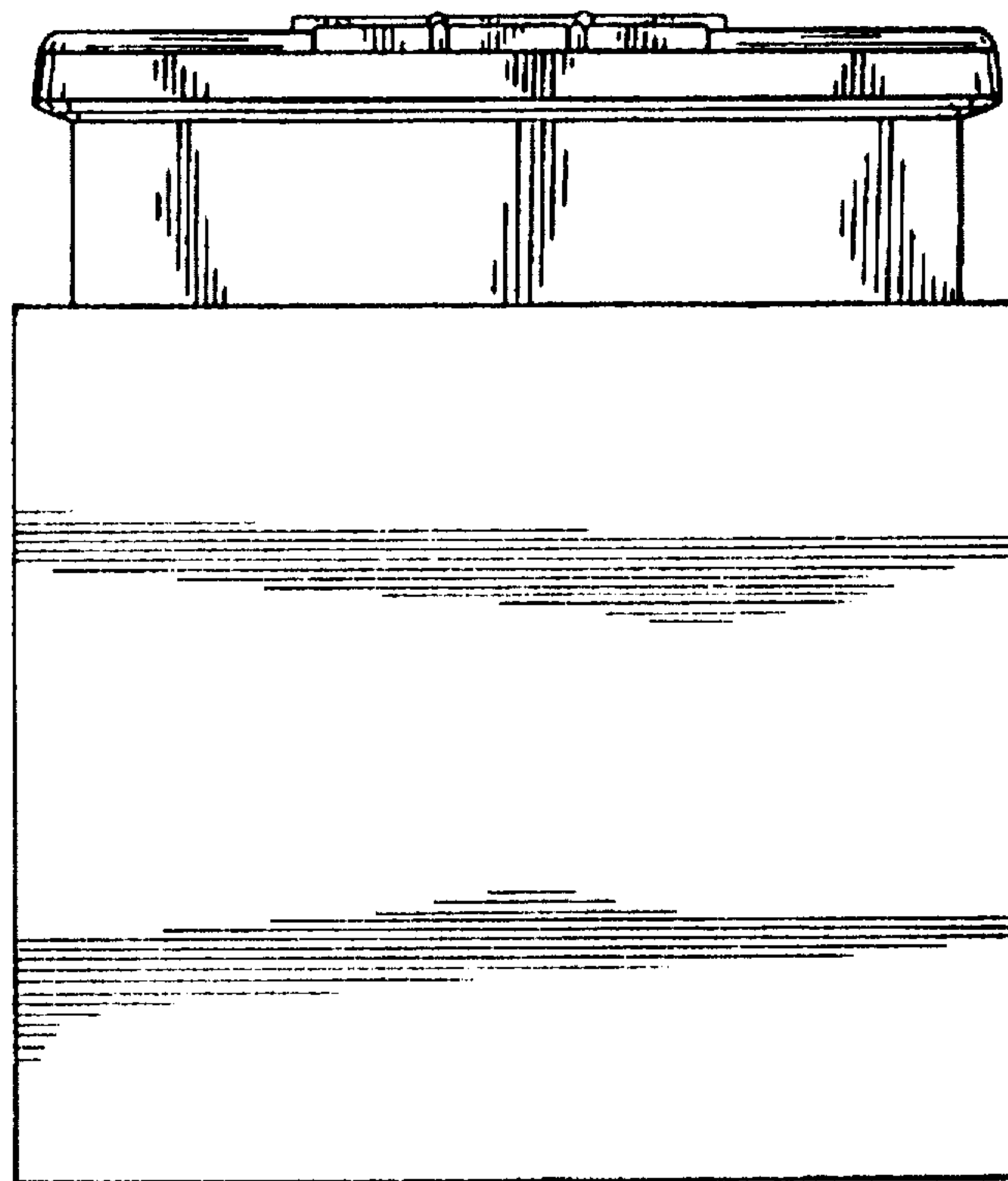


FIG. 17

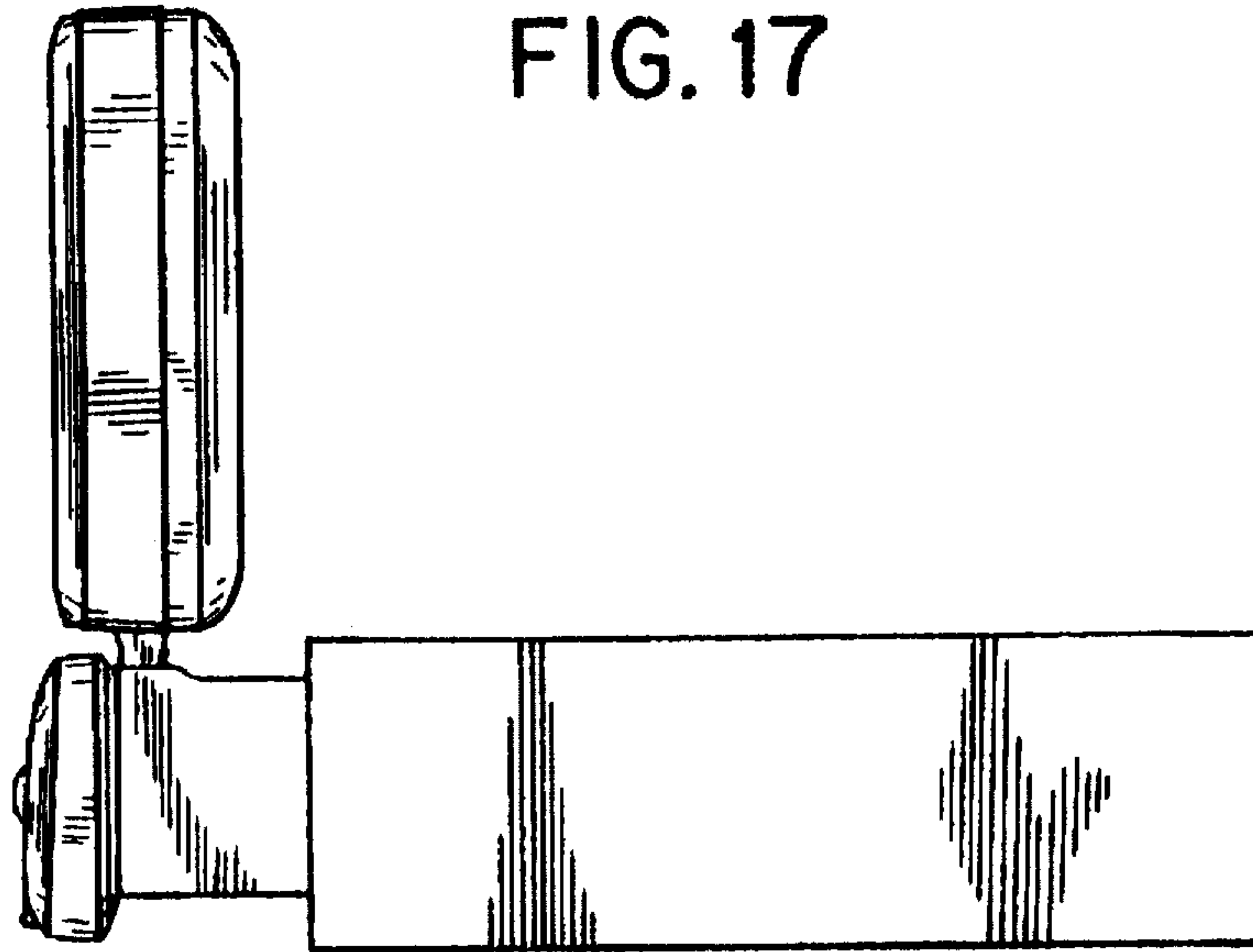


FIG. 18

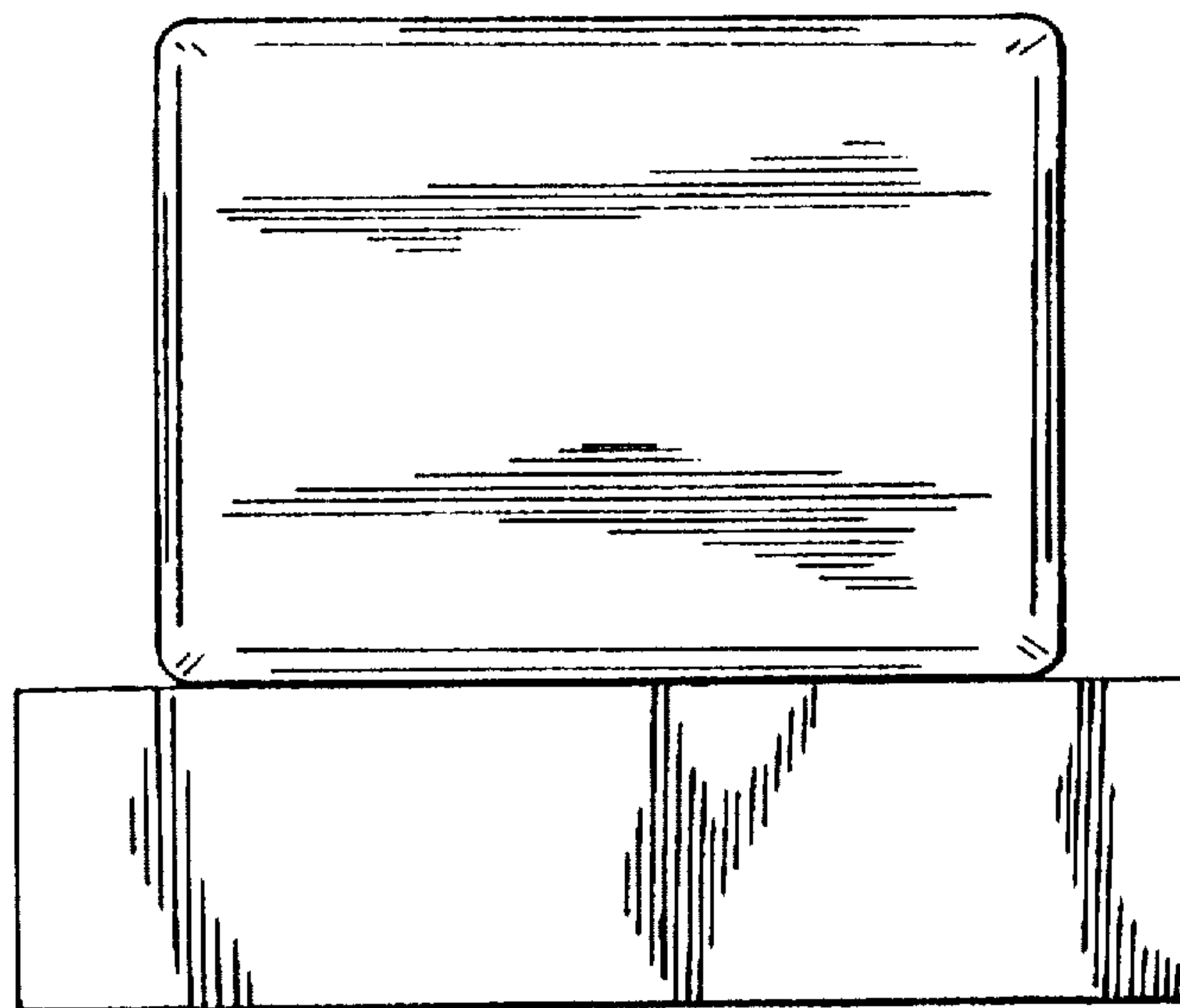


FIG. 19

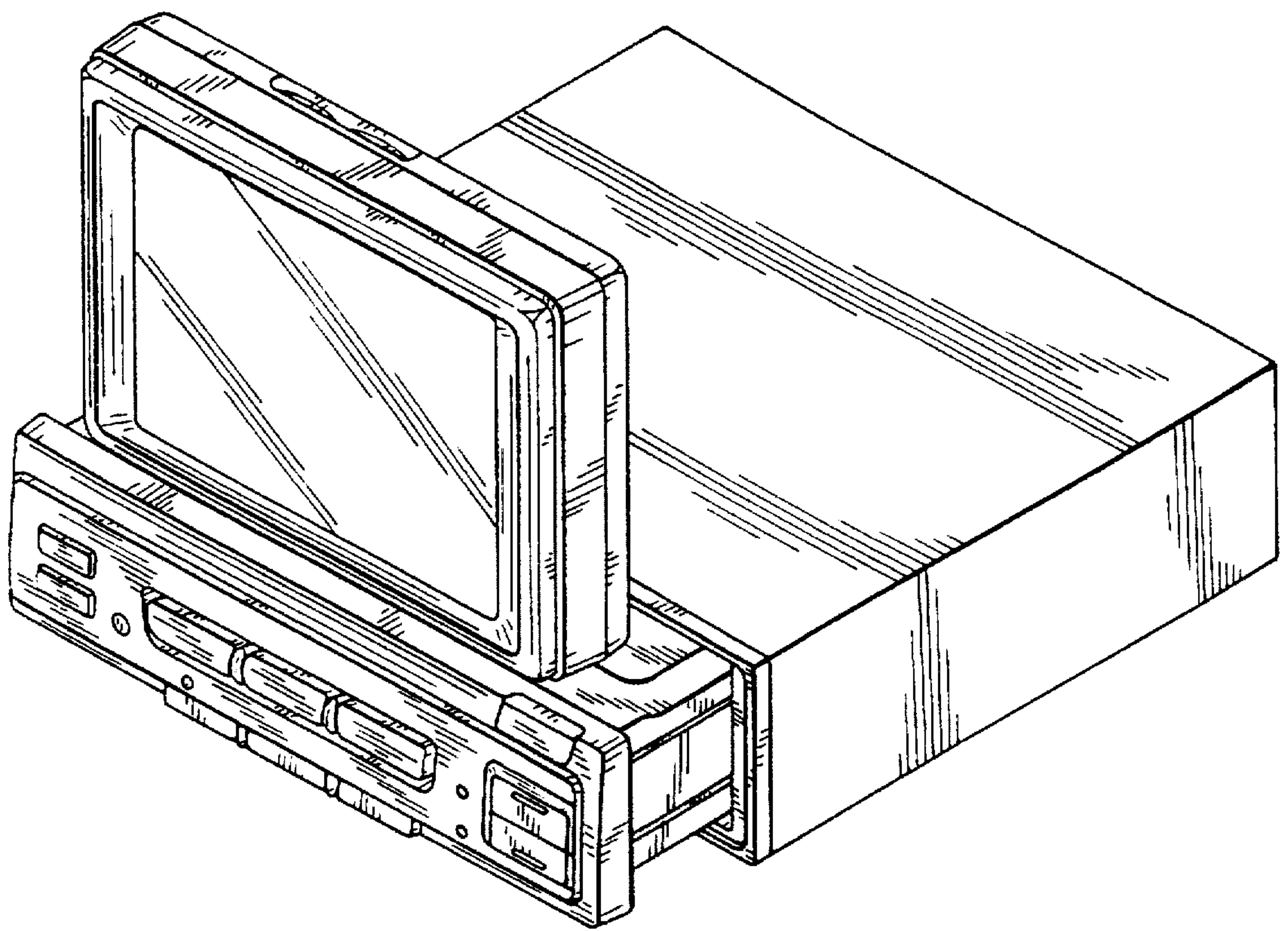


FIG.20

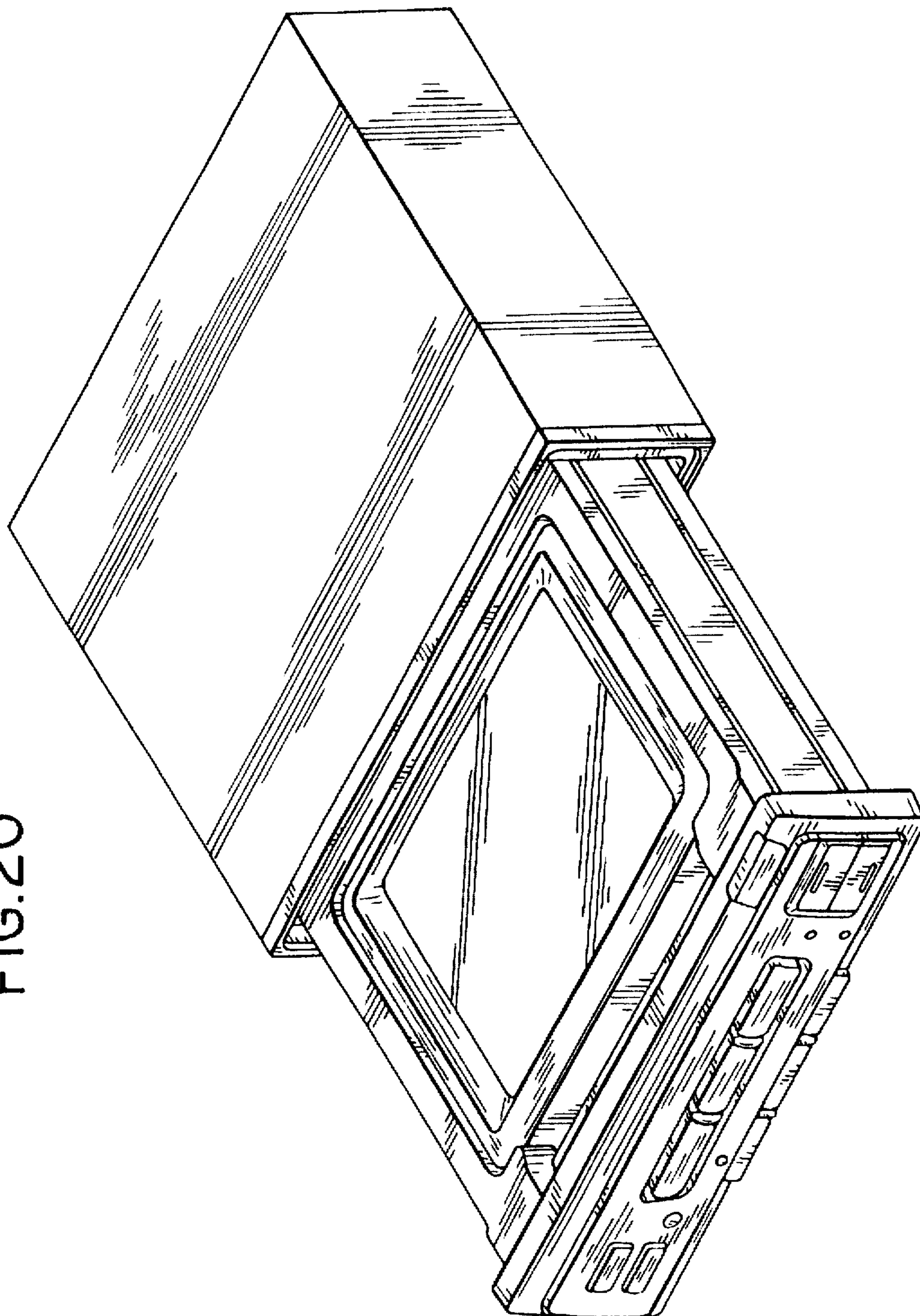


FIG. 21

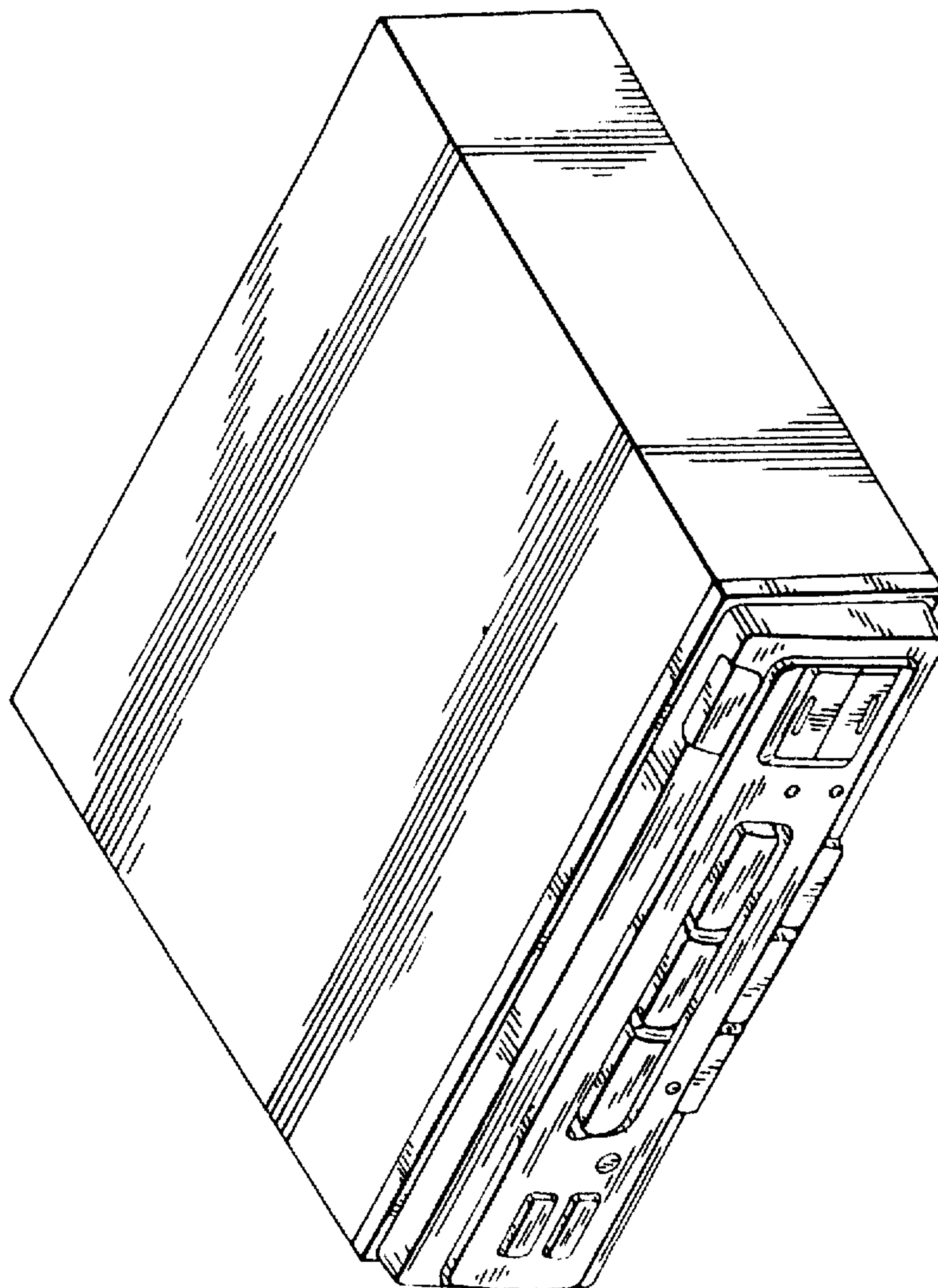


FIG. 22

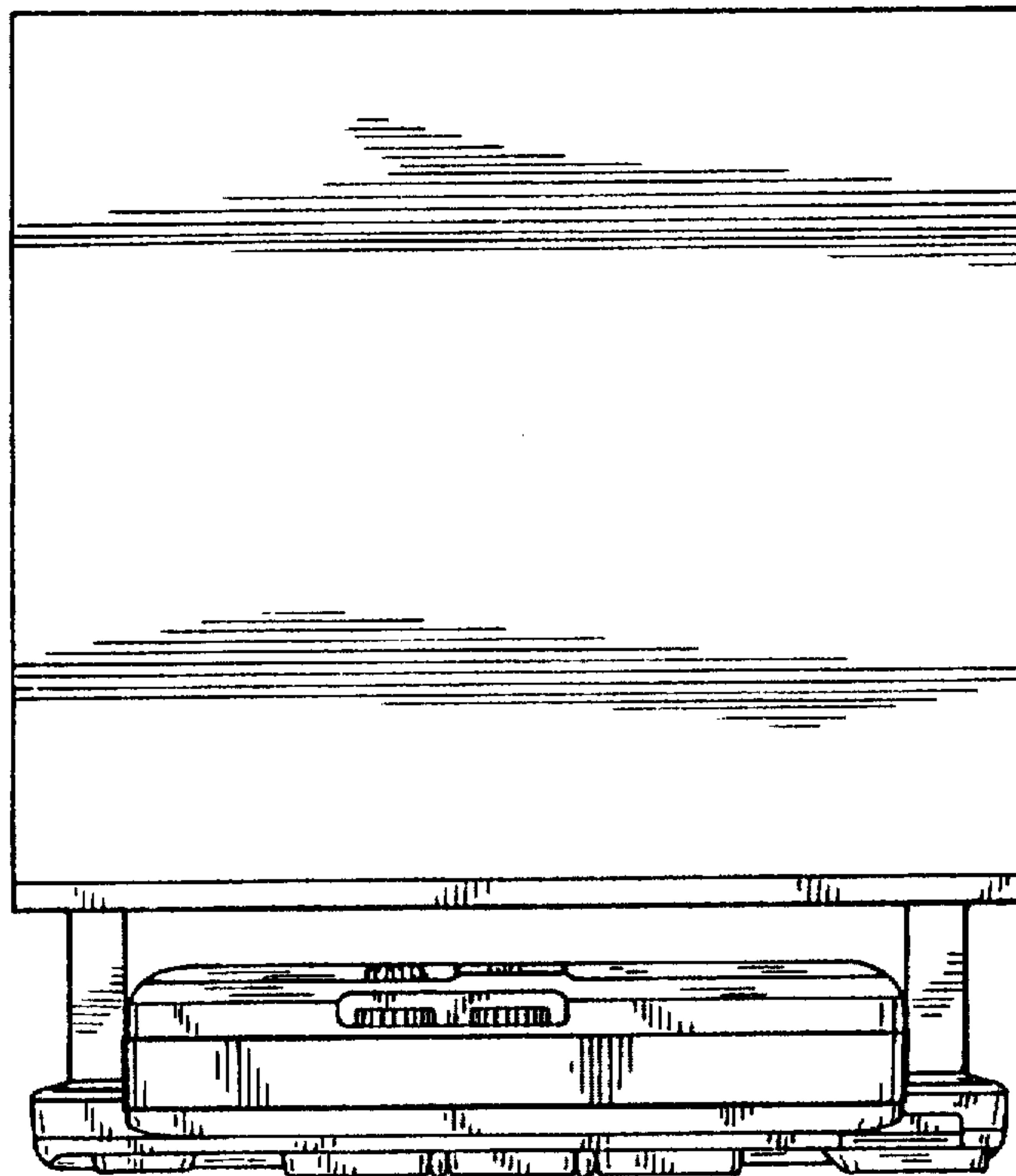


FIG. 24

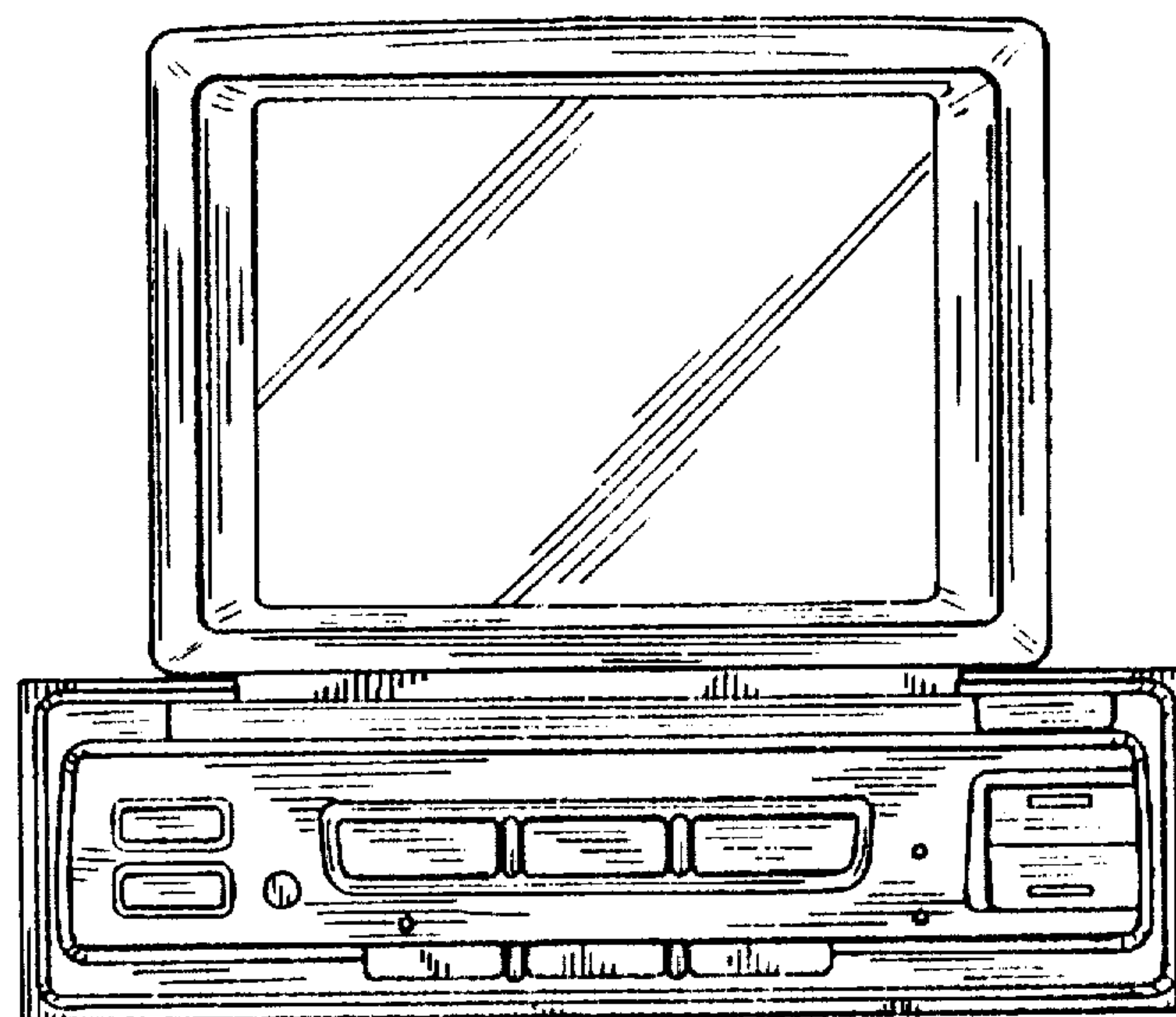


FIG. 23

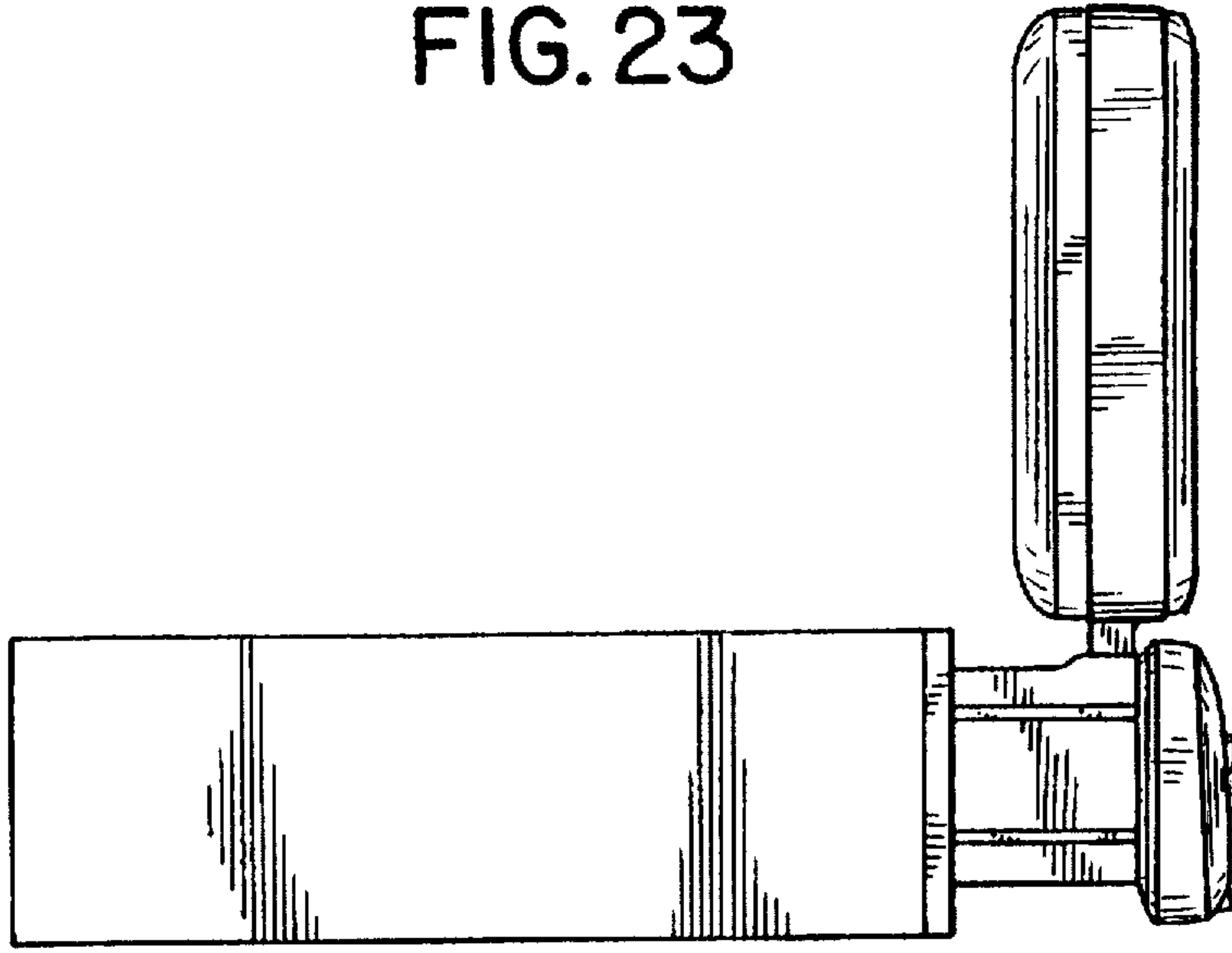


FIG. 25

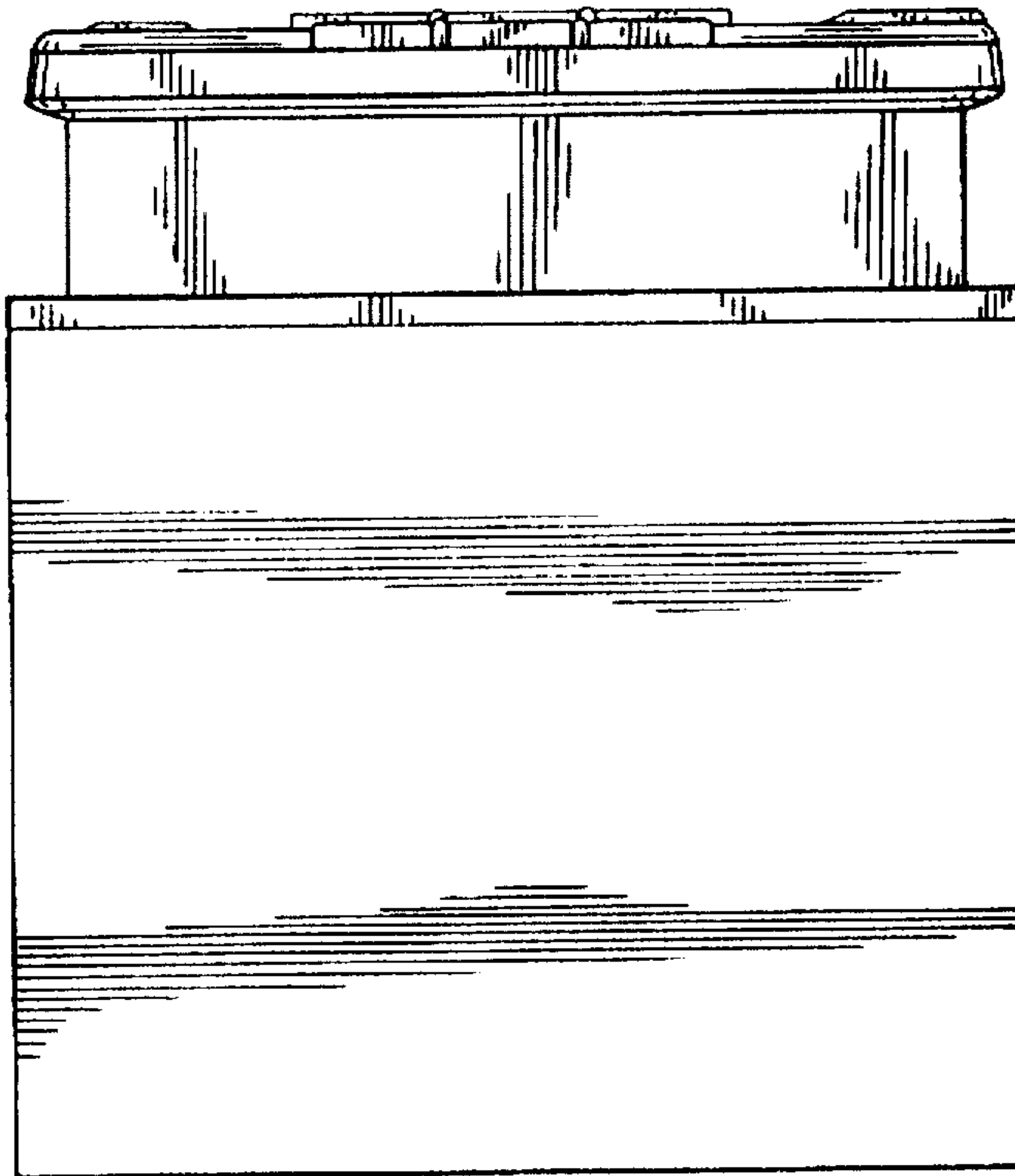


FIG. 26

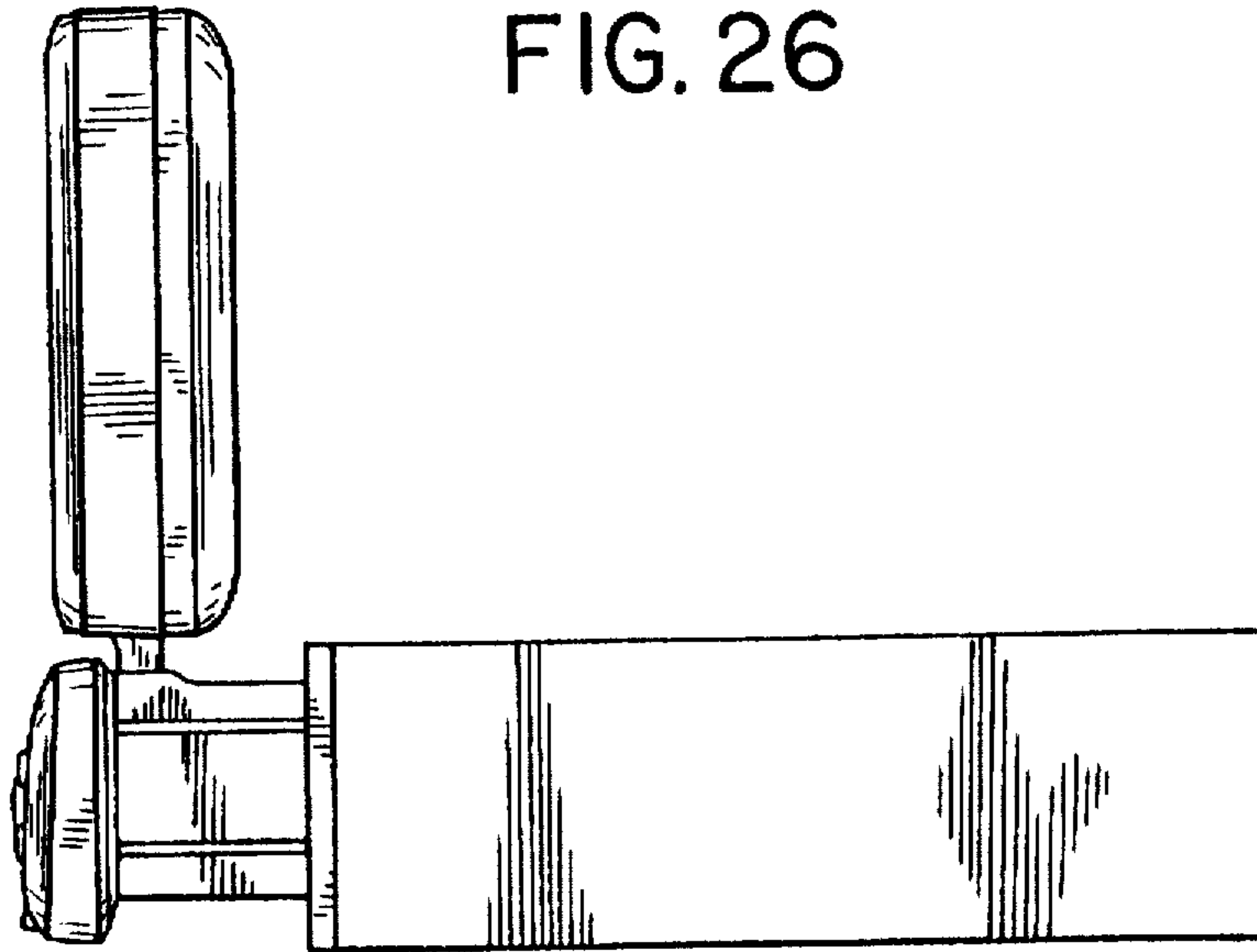


FIG. 27

