



US00D391250S

United States Patent [19]

Swift et al.

[11] Patent Number: **Des. 391,250**

[45] Date of Patent: ****Feb. 24, 1998**

[54] **RING MOUNTED OPTICAL SCANNER**

4,853,682 8/1989 Asano et al. D14/100 X
4,954,817 9/1990 Levine D14/114 X

[76] Inventors: **Philip W. Swift**, 215 Maiden La., Port Jefferson, N.Y. 11777; **Alan Ball**, 42 Maynard St., Arlington, Mass. 02174; **Michael Daley**, 1401 Mockingbird Dr., Plano, Tex. 75093

Primary Examiner—Freda Nunn

[**] Term: **14 Years**

[57] CLAIM

The ornamental design for a ring mounted optical scanner, as shown and described.

[21] Appl. No.: **50,971**

DESCRIPTION

[22] Filed: **Mar. 1, 1996**

FIG. 1 is a top, front, left-side perspective view of a ring mounted optical scanner showing our new design;

[51] LOC (6) Cl. **14-02**

FIG. 2 is a top plan view thereof;

[52] U.S. Cl. **D14/116; D14/107**

FIG. 3 is a front elevational view thereof;

[58] Field of Search D14/100, 105, D14/107, 114; 250/556; 382/312, 313, 318, 319, 321, 322, 325; 283/69, 70, 74, 75, 78; 235/379-382, 382.5; 345/156, 157, 158, 172, 169; 178/18, 19; D11/1, 26, 30; D16/237

FIG. 4 is an left-side elevational view thereof;

FIG. 5 is a rear elevational view thereof;

FIG. 6 is a right-side elevational view thereof; and,

FIG. 7 is a bottom plan view thereof.

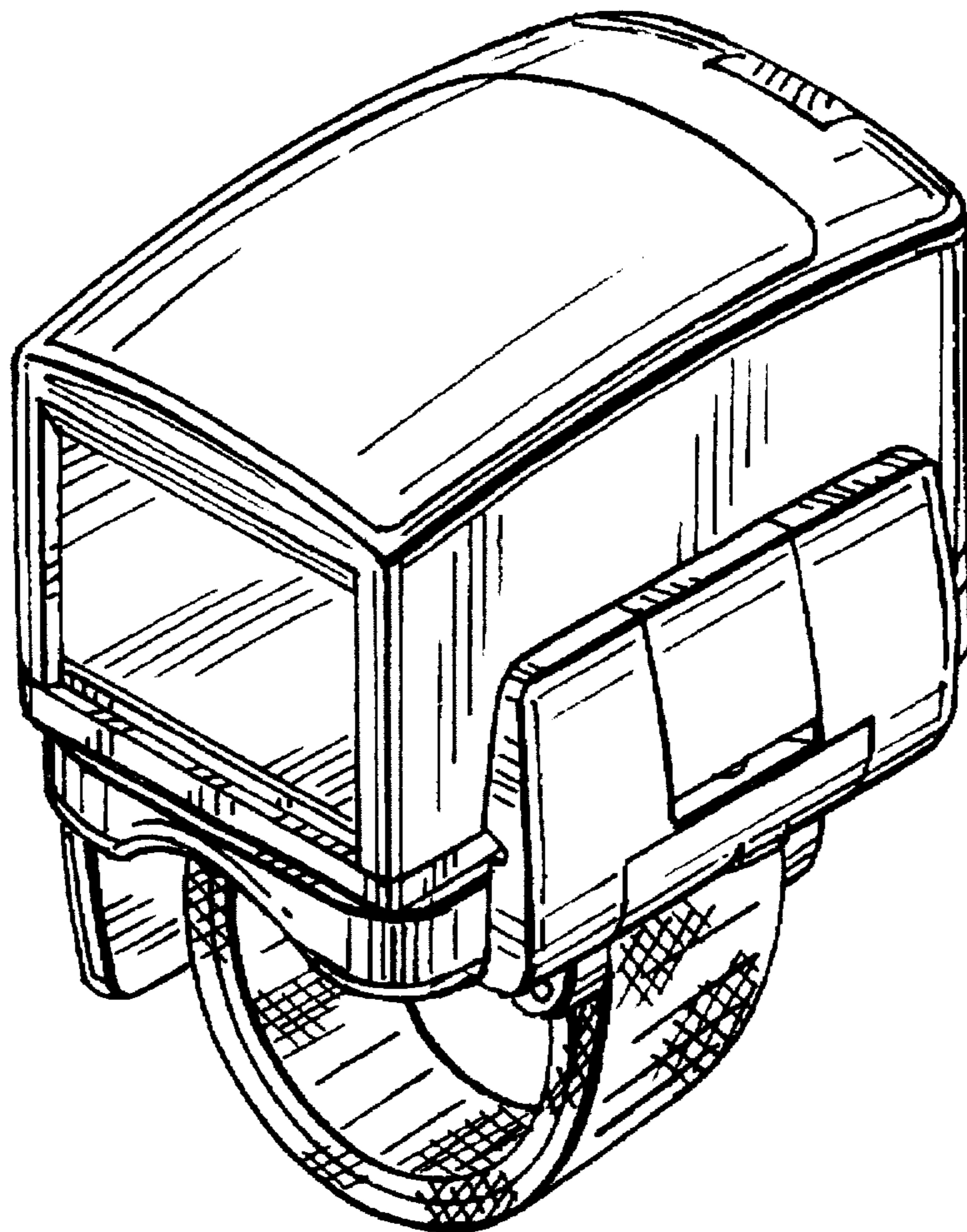
The pattern partially shown on the band in FIGS. 1 and 3-7 of the ring is understood to represent a conventional material.

[56] References Cited

U.S. PATENT DOCUMENTS

D. 352,278 11/1994 Sharpe, III et al. D14/100

1 Claim, 1 Drawing Sheet



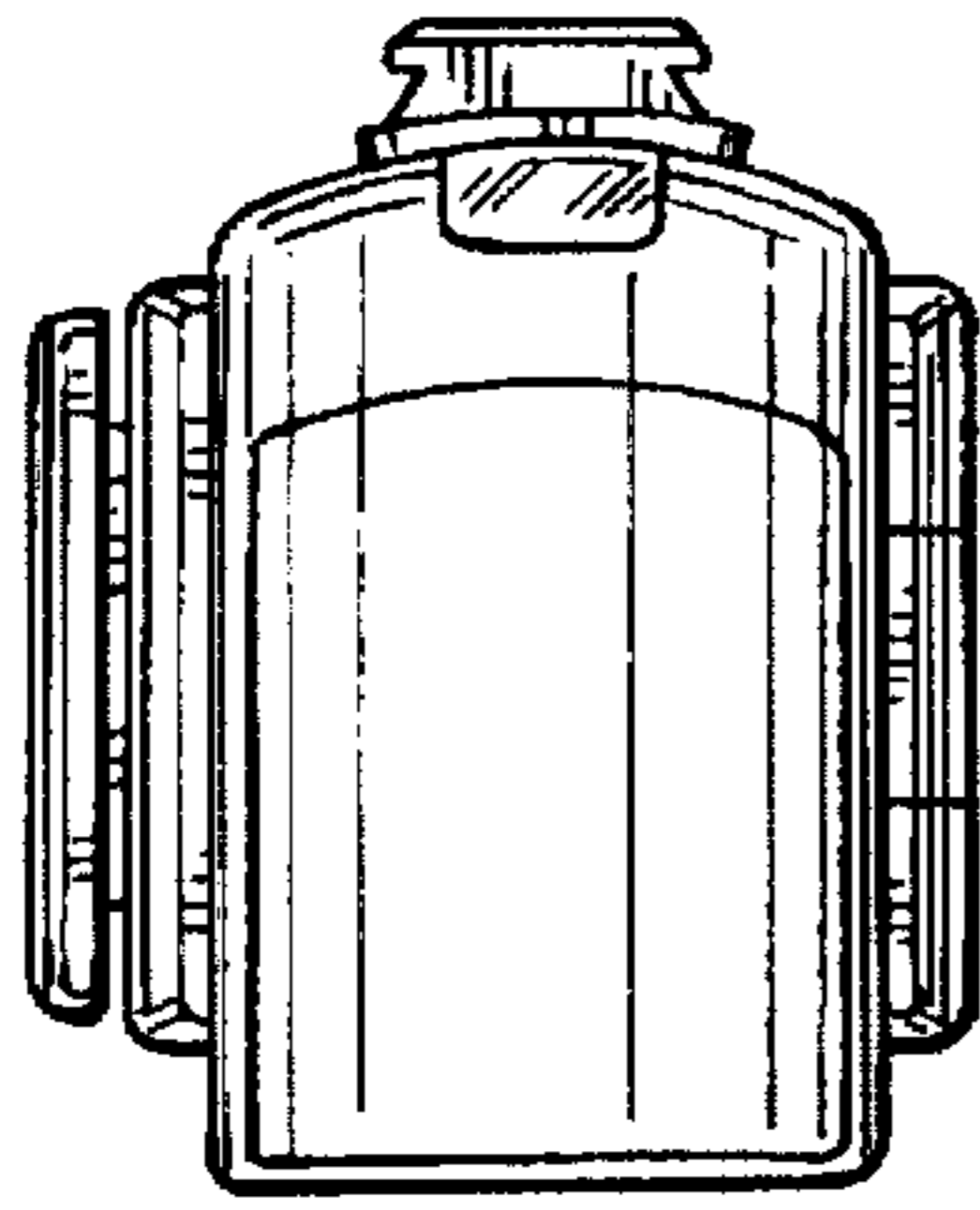


FIG. 2

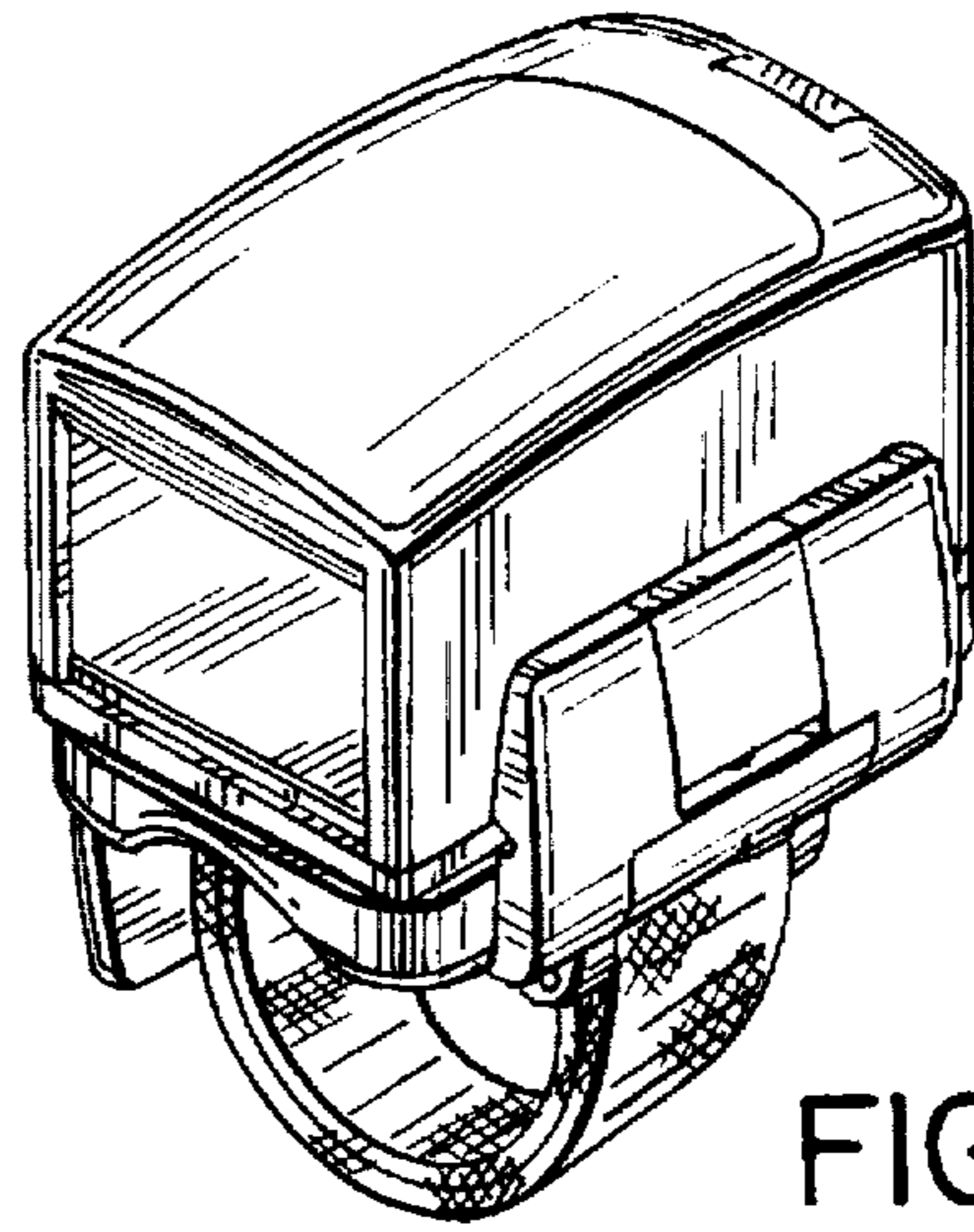


FIG. 1

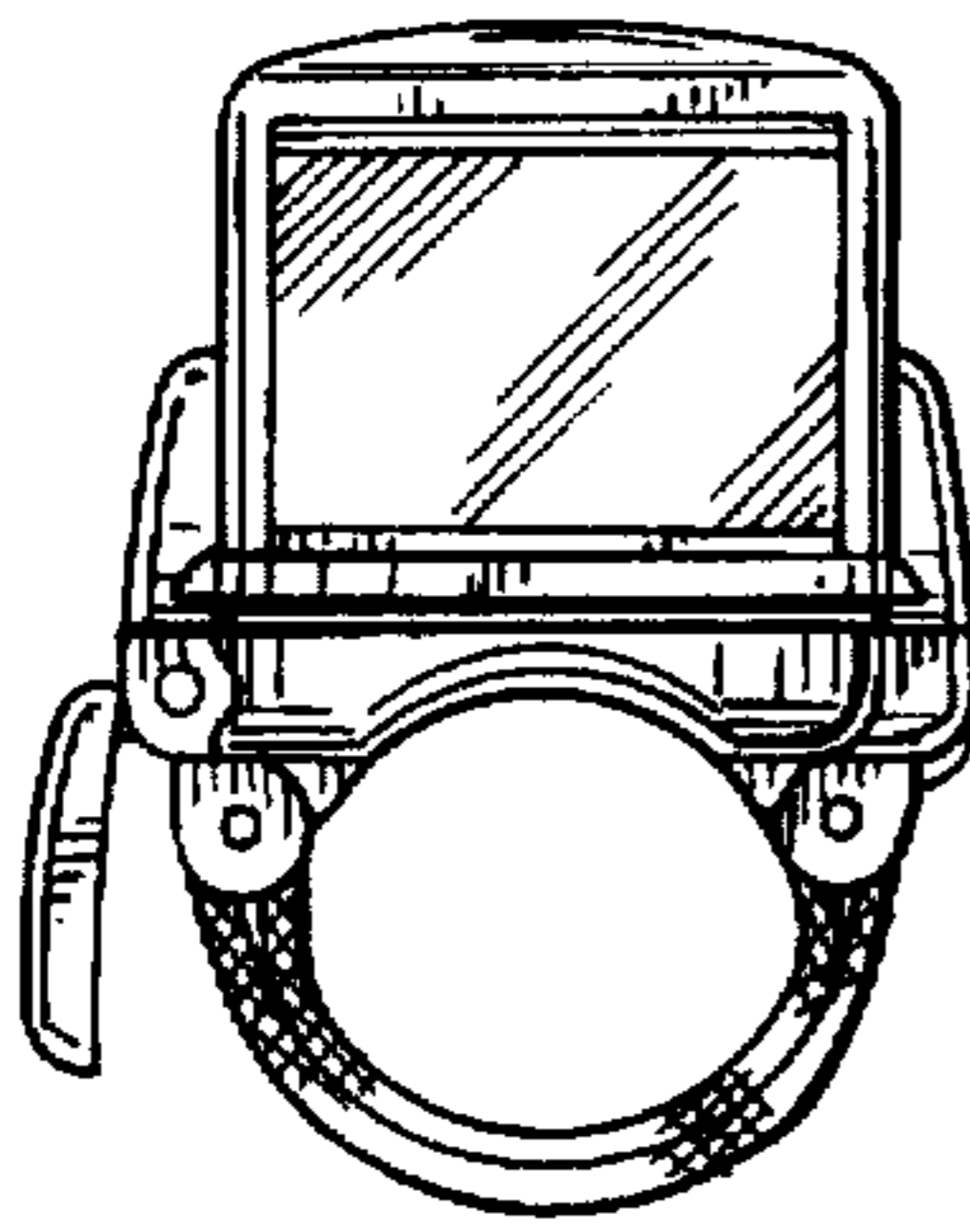


FIG. 3

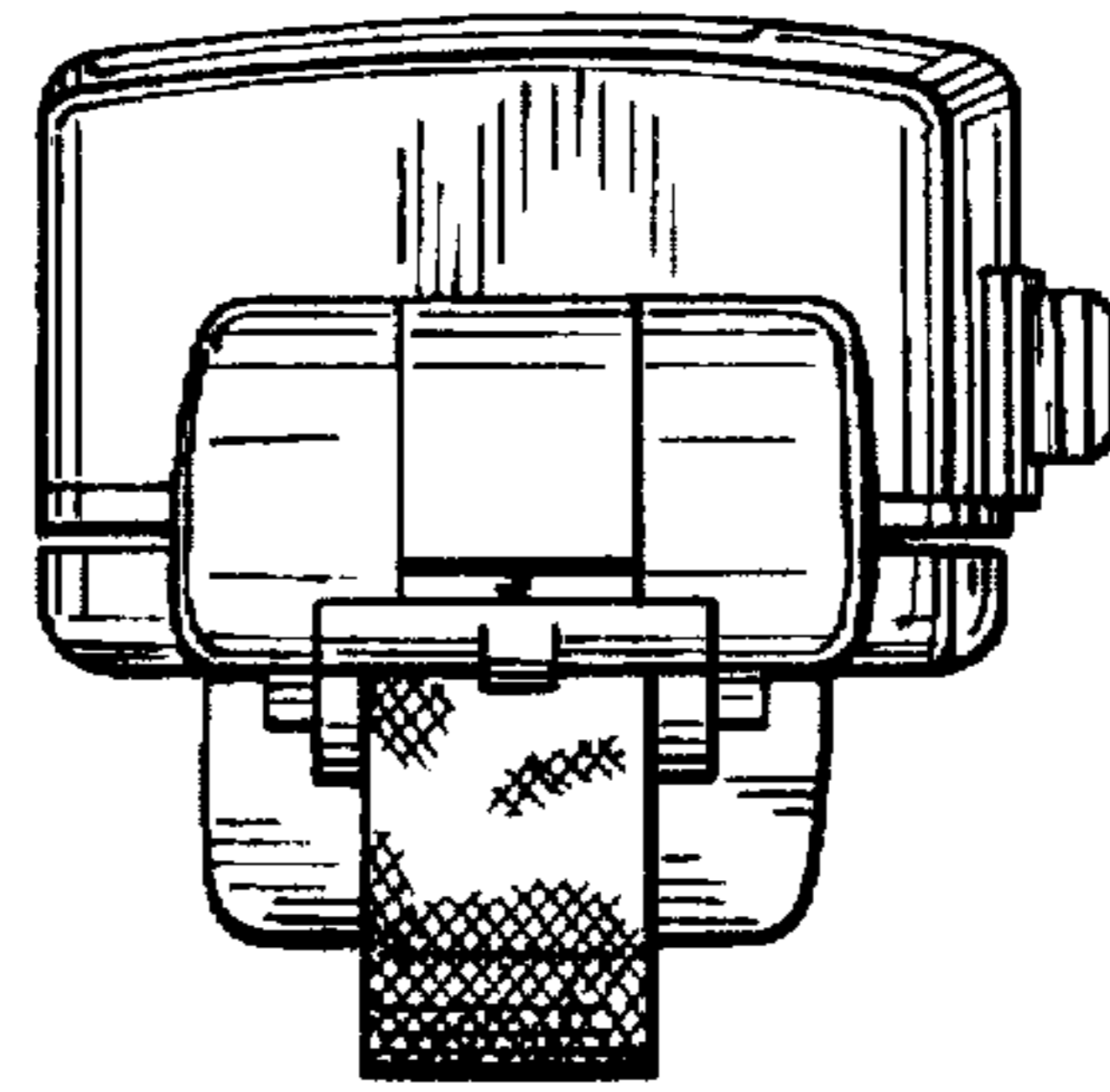


FIG. 4

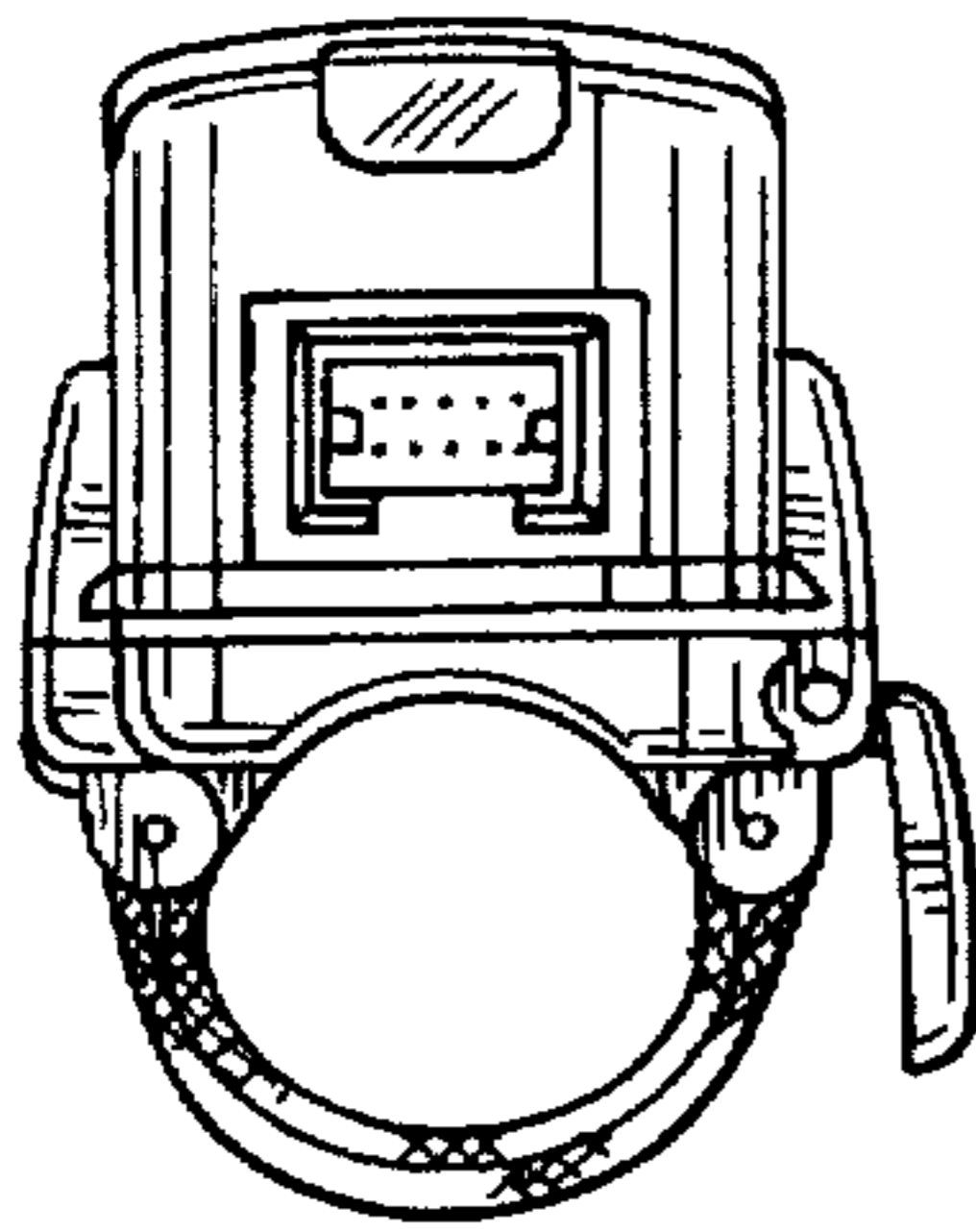


FIG. 5

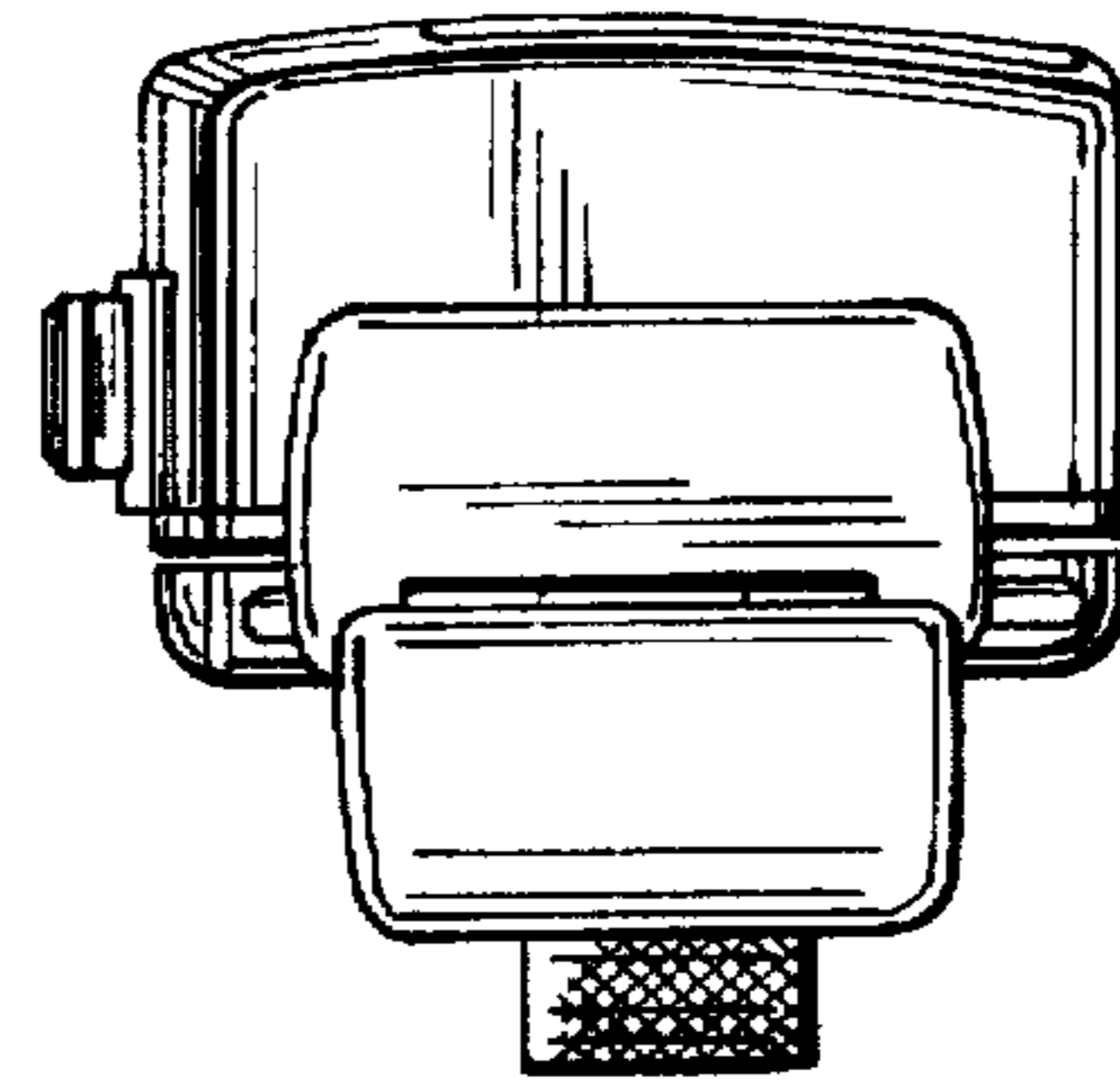


FIG. 6

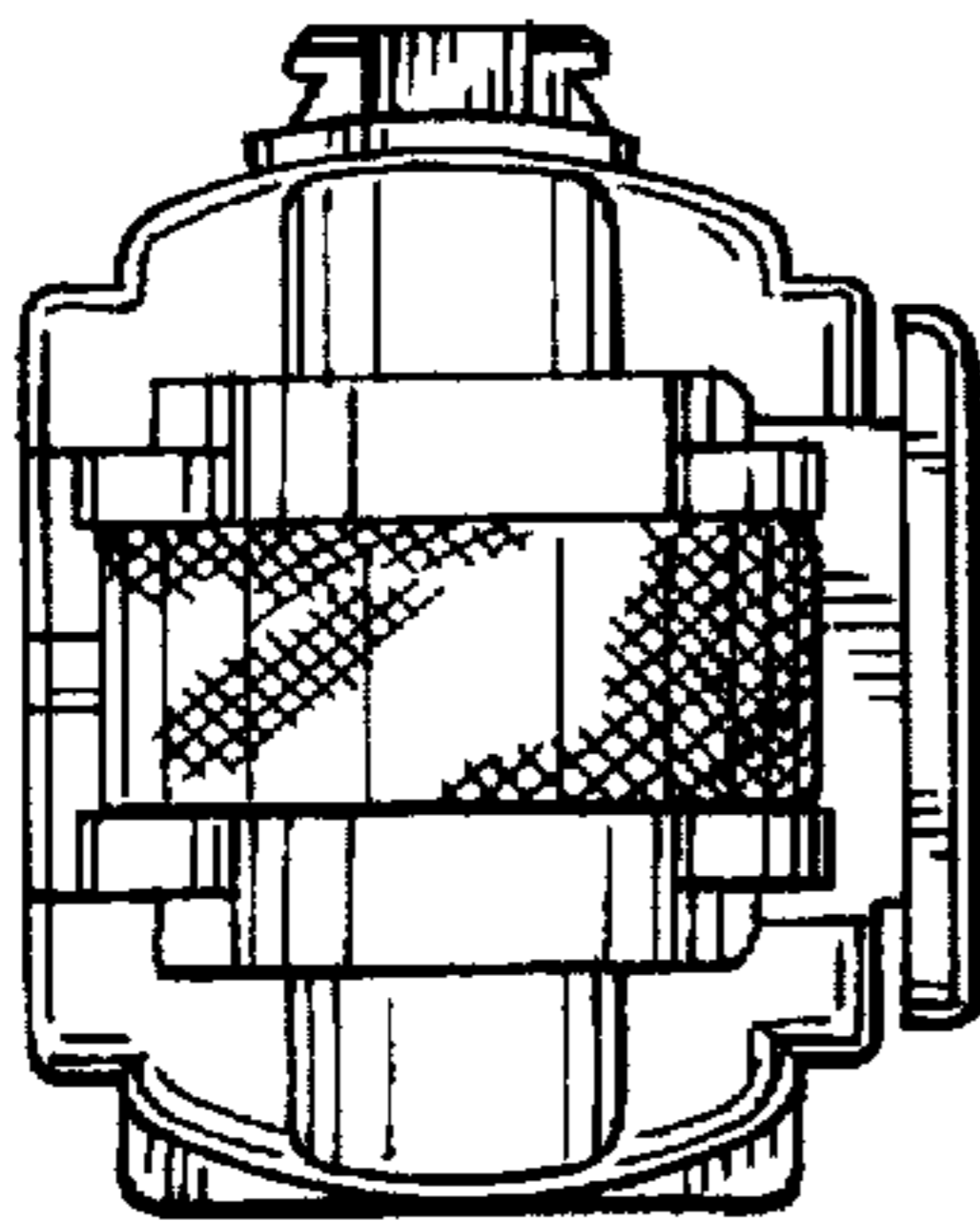


FIG. 7