



US00D391243S

United States Patent [19] Rosen

[11] Patent Number: **Des. 391,243**

[45] Date of Patent: ****Feb. 24, 1998**

[54] **MONITOR MOUNT**

5,271,590 12/1993 Rosen 248/917 X
5,311,302 5/1994 Berry et al. .
5,547,248 8/1996 Marechal .

[75] Inventor: **John B. Rosen**, Eugene, Oreg.

[73] Assignee: **Advanced Multimedia Products Corporation**, Eugene, Oreg.

Primary Examiner—Kay H. Chin
Attorney, Agent, or Firm—Kolisch, Hartwell, Dickinson, McCormack & Heuser

[**] Term: **14 Years**

[57] **CLAIM**

[21] Appl. No.: **69,884**

The ornamental design for a monitor mount, as shown and described.

[22] Filed: **May 19, 1997**

DESCRIPTION

[51] **LOC (6) Cl.** **14-02**

[52] **U.S. Cl.** **D14/114; D8/354; D8/349**

[58] **Field of Search** **D14/100-114;**
248/281.11, 278.1, 280.11, 917-920, 284.1,
285.1, 286.1; 361/680-686; D19/91; 348/837,
827; D8/354, 373, 349, 363

FIG. 1 is an isometric view of a monitor mount constructed in accordance with the present invention, the monitor mount being shown in a deployed orientation;
FIG. 2 is an isometric view of a monitor mount similar to FIG. 1, but with the monitor mount in a stowed orientation;
FIG. 3 is a rear view of the monitor mount shown in FIG. 2;
FIG. 4 is a front view thereof;
FIG. 5 is a top view thereof
FIG. 6 is a left side view of the monitor mount shown in FIG. 2, the right side being a mirror image thereof;
FIG. 7 is a bottom view thereof; and,
FIG. 8 is an isometric view of a second embodiment of the monitor mount, the monitor mount being shown in a deployed orientation.

[56] **References Cited**

U.S. PATENT DOCUMENTS

D. 347,841	6/1994	Rossmann et al.	D14/114
D. 376,590	12/1996	Kao et al.	D14/114
4,620,808	11/1986	Kurtin	248/282.1
4,836,486	6/1989	Vossoughi	248/281.1
5,076,524	12/1991	Reh et al. .	
5,177,616	1/1993	Riday .	
5,179,447	1/1993	Lain	348/837
5,195,709	3/1993	Yasushi .	

1 Claim, 4 Drawing Sheets

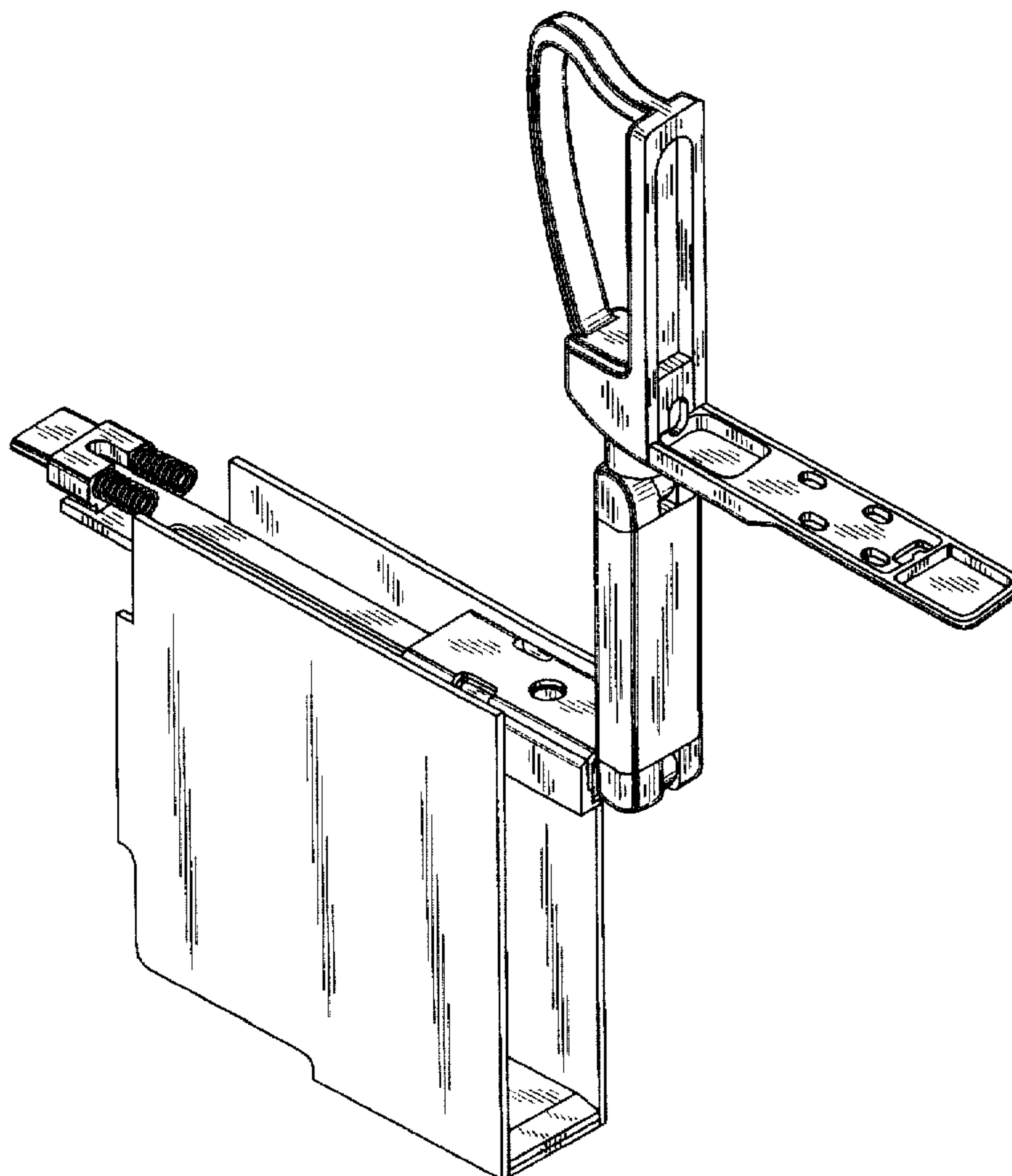
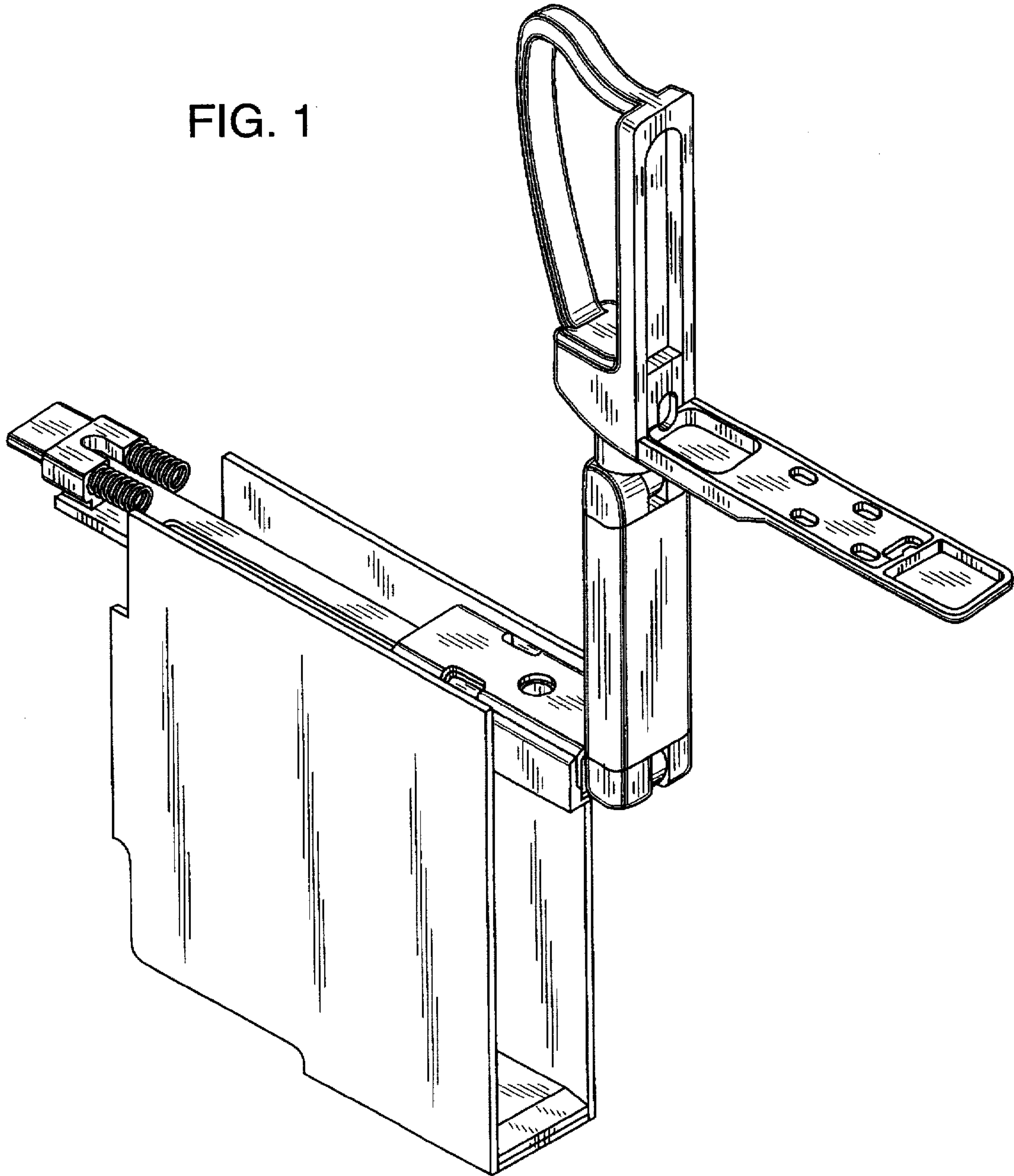


FIG. 1



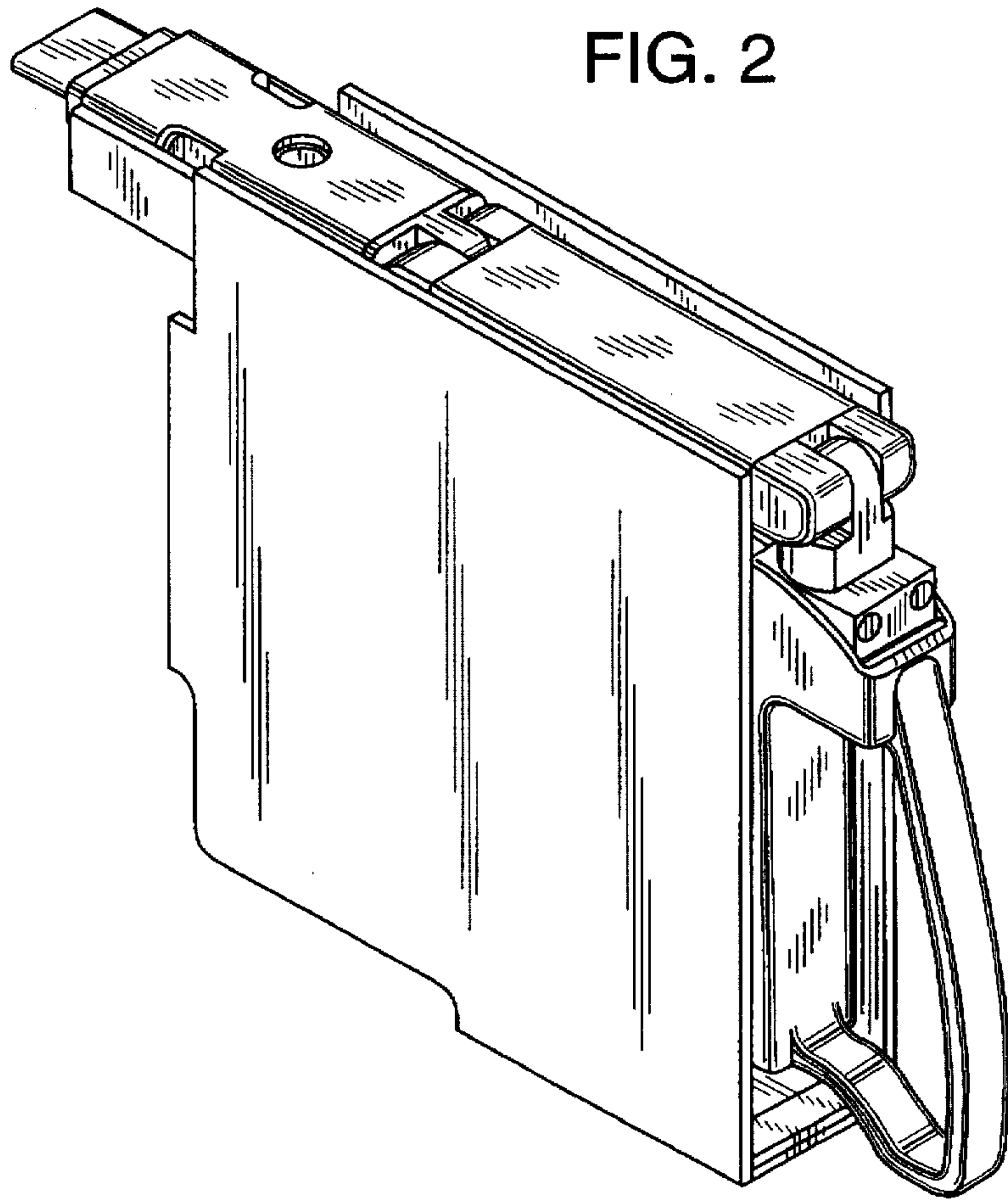


FIG. 3

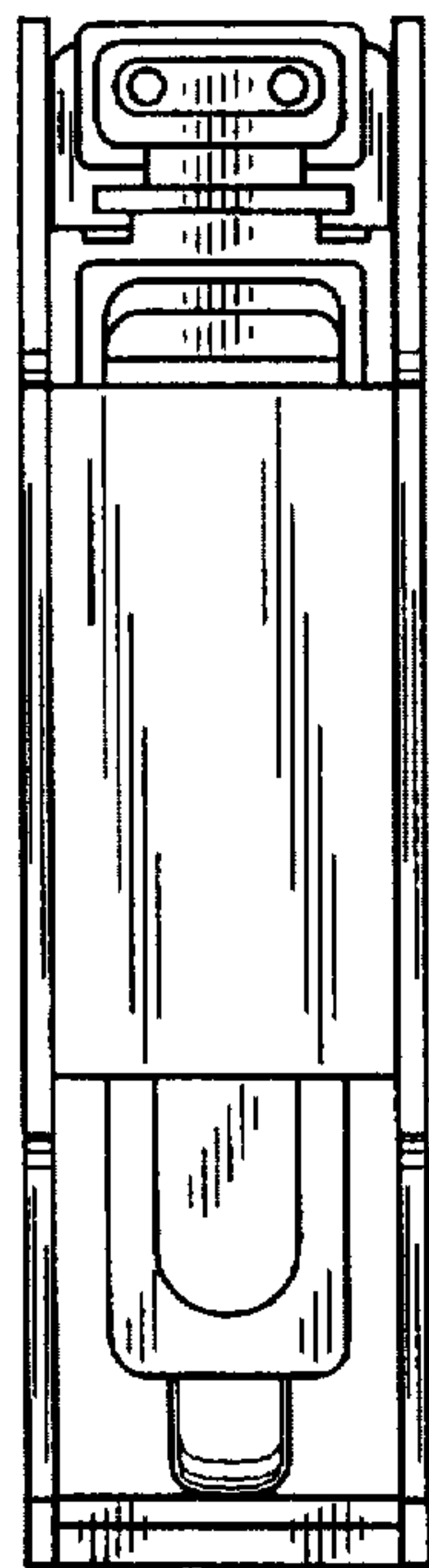


FIG. 4

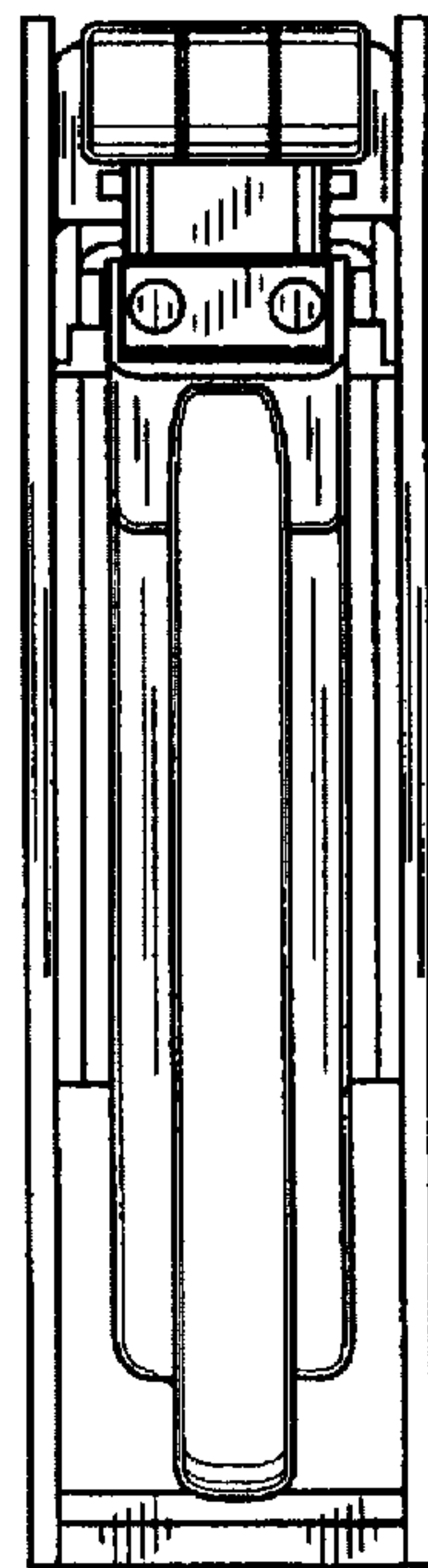


FIG. 5

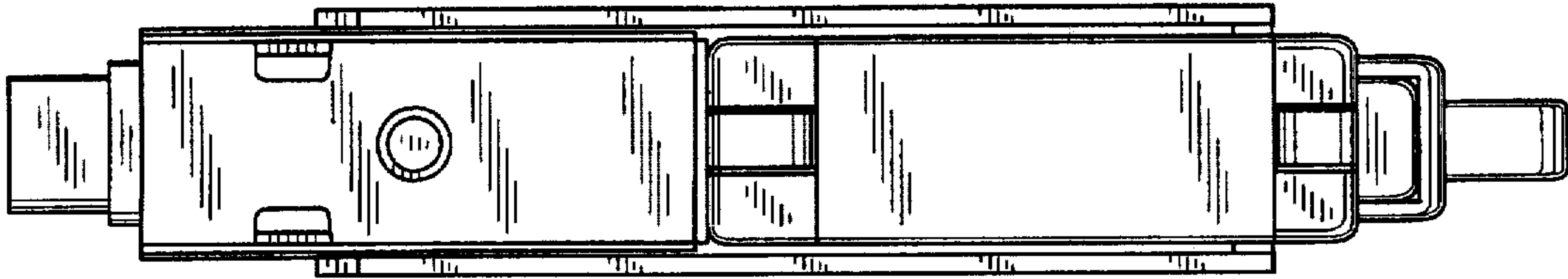


FIG. 6

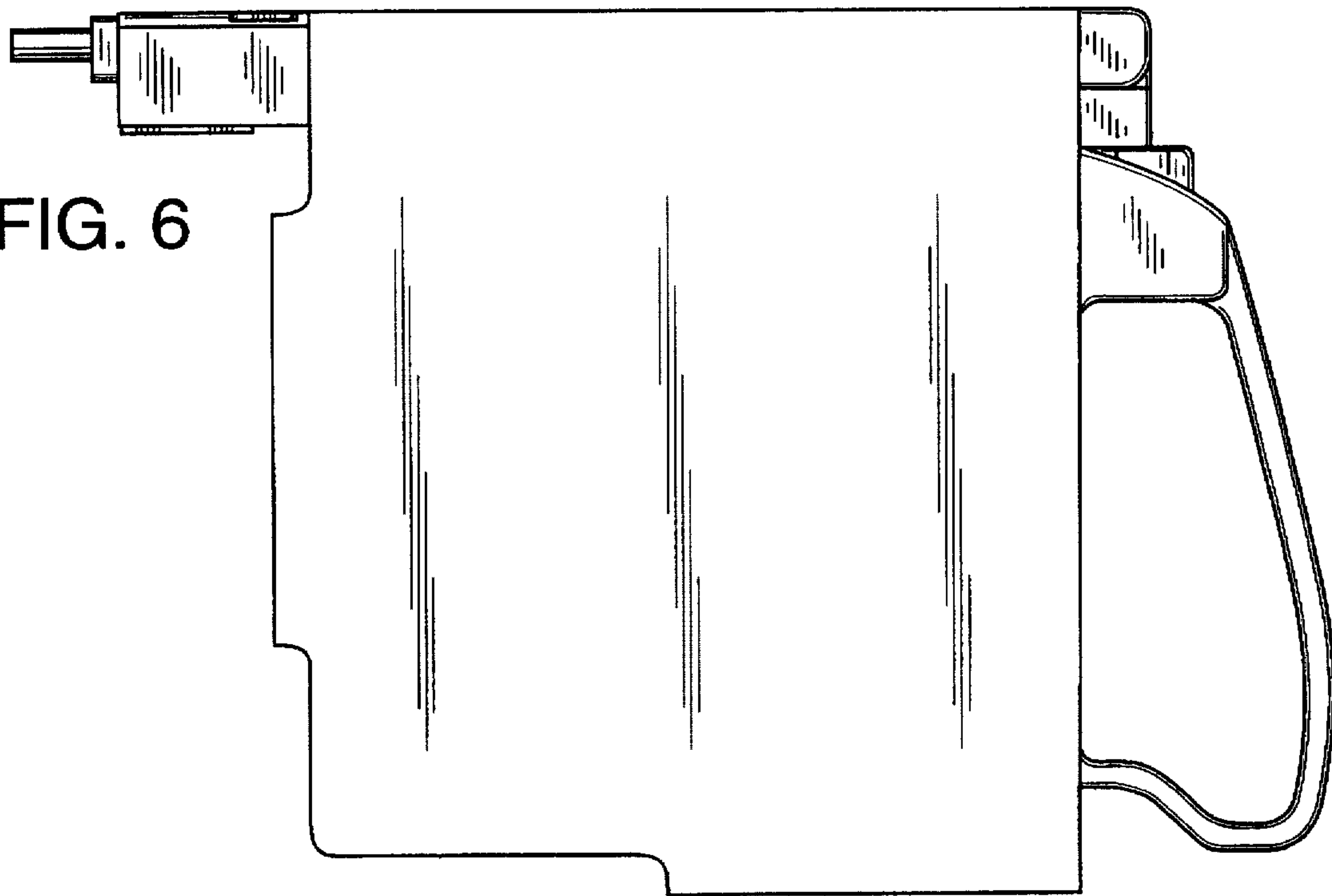


FIG. 7

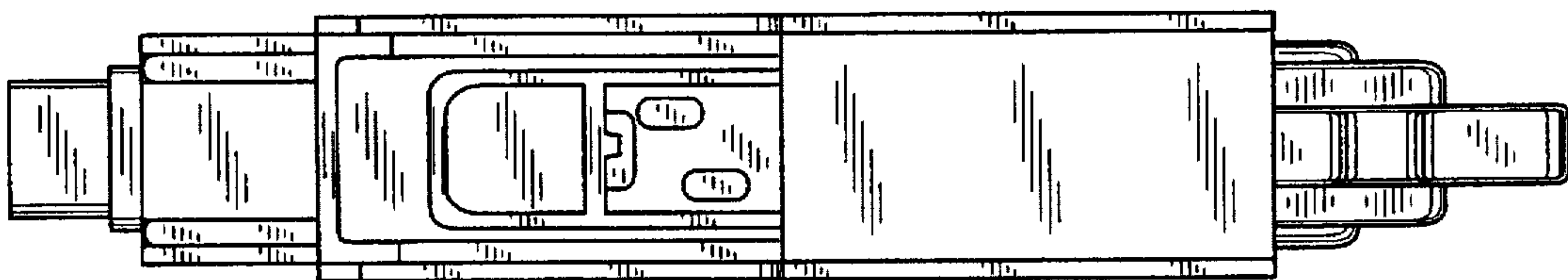


FIG. 8

