



US00D391240S

United States Patent [19]

Pfeifer et al.

[11] Patent Number: **Des. 391,240**

[45] Date of Patent: ****Feb. 24, 1998**

[54] **COMPUTER MONITOR**

[75] Inventors: **Herbert Pfeifer; Paul Montgomery**, both of San Francisco; **Philip G. Yurkonis, Campbell; Michael Dann**, Mountain View; **Alison Armstrong**, San Francisco, all of Calif.

[73] Assignee: **Sun Microsystems, Inc.**, Mountain View, Calif.

[**] Term: **14 Years**

[21] Appl. No.: **46,075**

[22] Filed: **Nov. 7, 1995**

[51] LOC (6) Cl. **14-02**

[52] U.S. Cl. **D14/113; D14/126**

[58] Field of Search D14/100, 113, D14/124-129; 345/104, 133, 156, 168, 173, 87, 901-905; 248/918-924

[56] **References Cited**

U.S. PATENT DOCUMENTS

D. 341,358 11/1993 Stolz et al. D14/113

- D. 345,349 3/1994 Imai et al. D14/113
- D. 358,585 5/1995 Dann et al. D14/113
- D. 364,392 11/1995 Backs D14/113

Primary Examiner—Freda Nunn

Attorney, Agent, or Firm—Blakely Sokoloff Taylor & Zafman

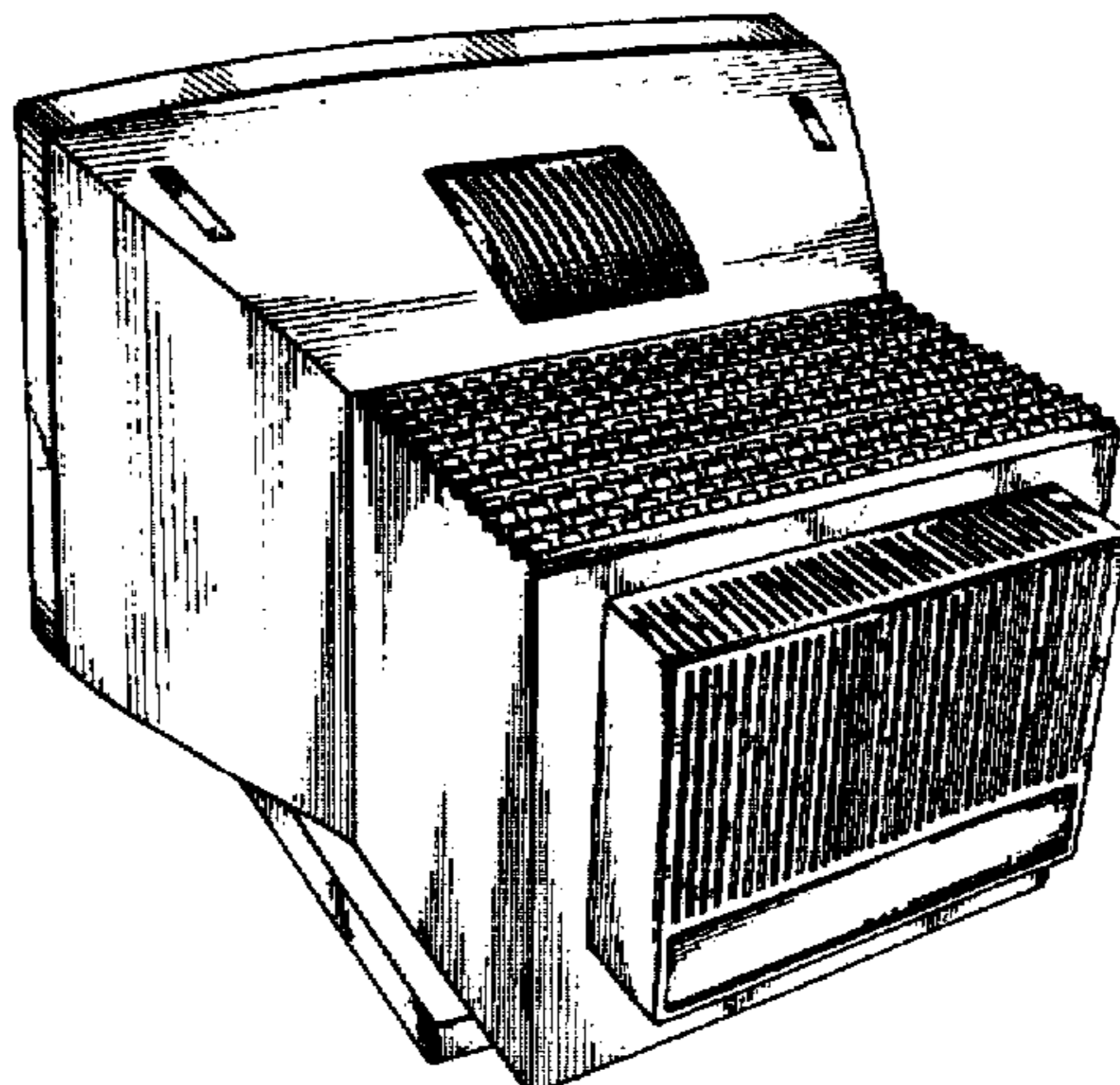
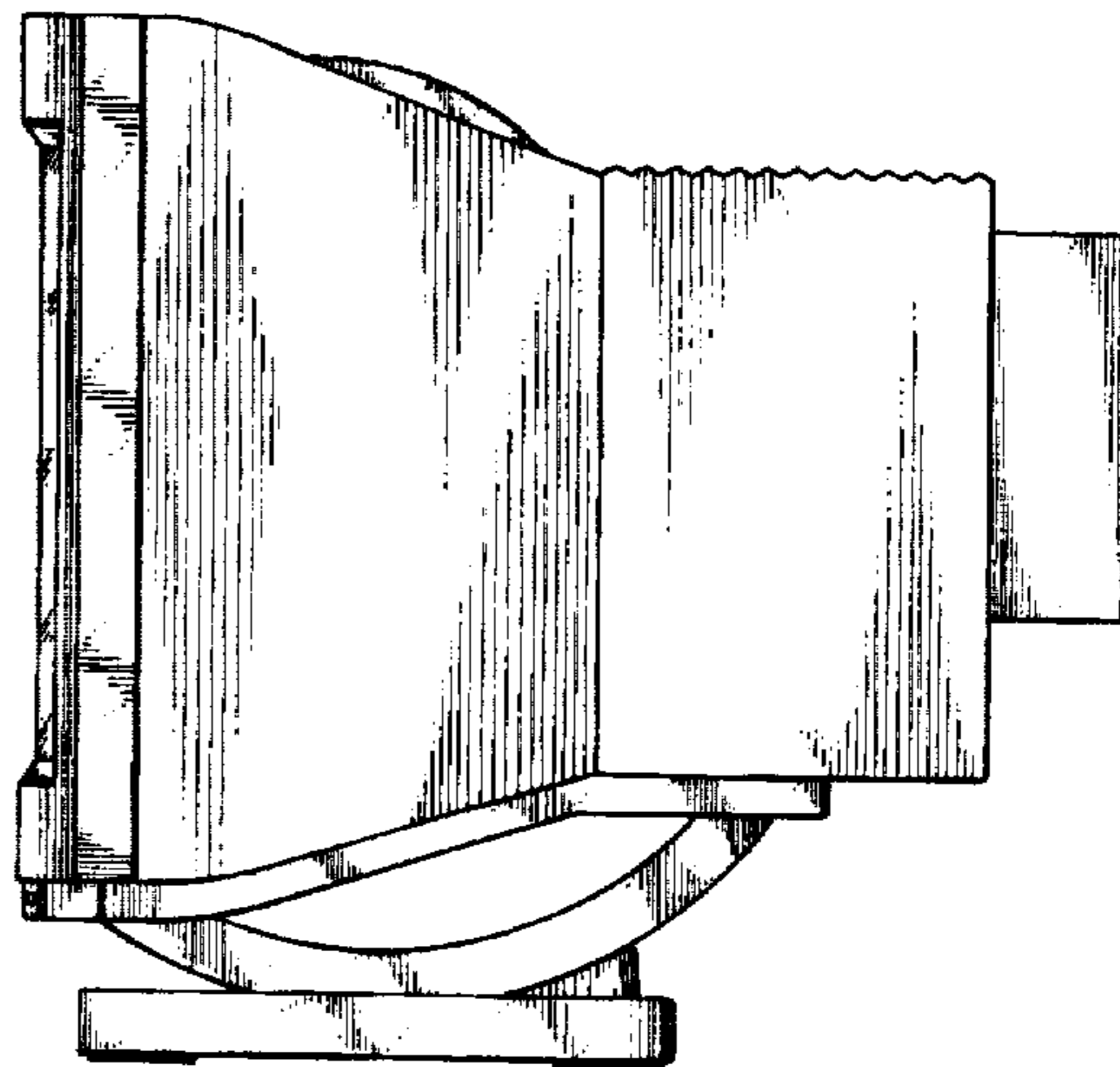
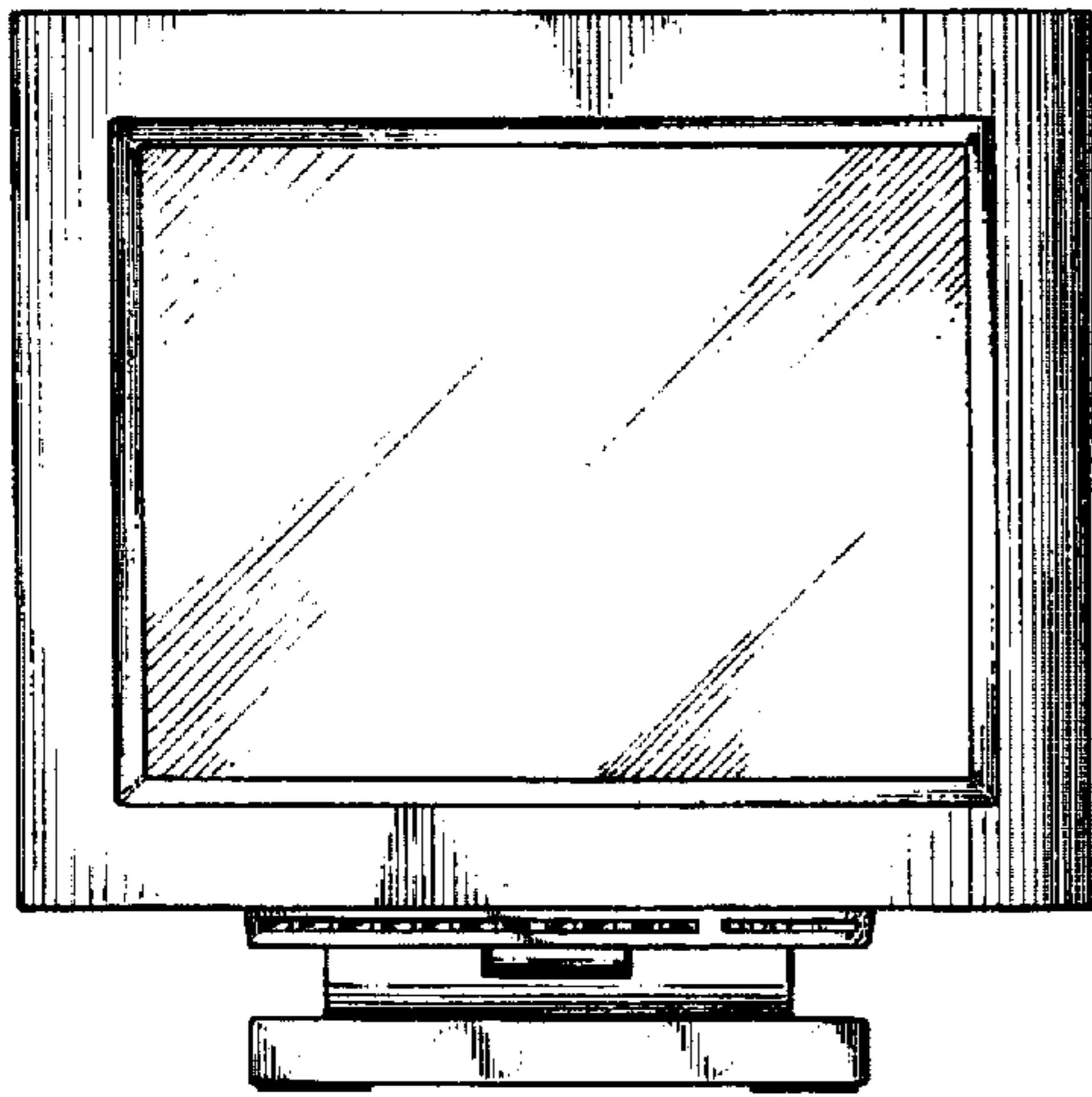
[57] **CLAIM**

The ornamental design for a computer monitor, as shown and described.

DESCRIPTION

FIG. 1 is a front elevational view of a computer monitor; FIG. 2 is a right side elevational view of the computer monitor, the left side of the computer monitor is identical in appearance as the right side of the computer monitor; FIG. 3 is a top plan view of the computer monitor; FIG. 4 is a bottom plan view of the computer monitor; FIG. 5 is a rear elevational view of the computer monitor; and, FIG. 6 is a rear top perspective view of the computer monitor.

1 Claim, 6 Drawing Sheets



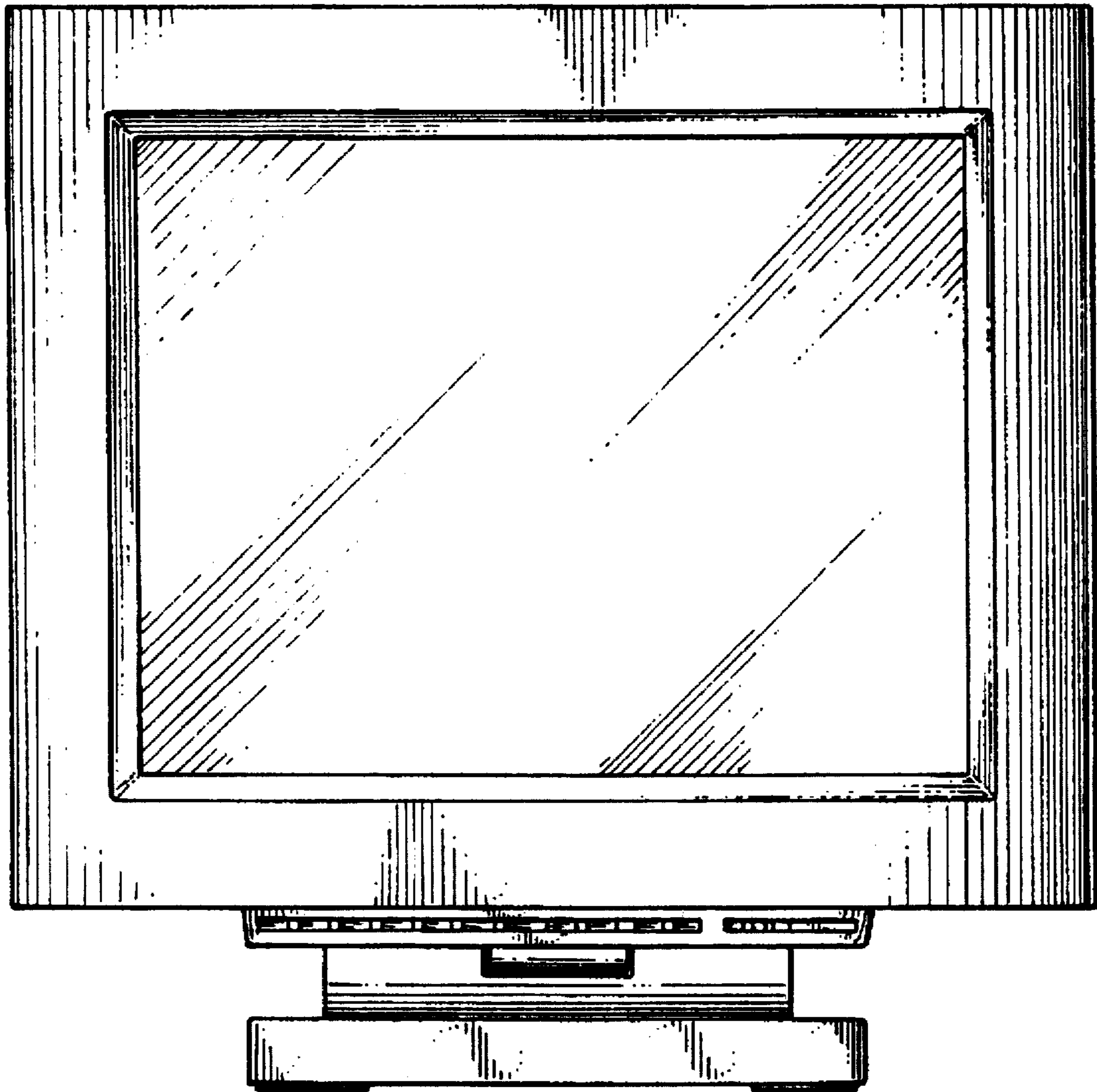


FIG. 1

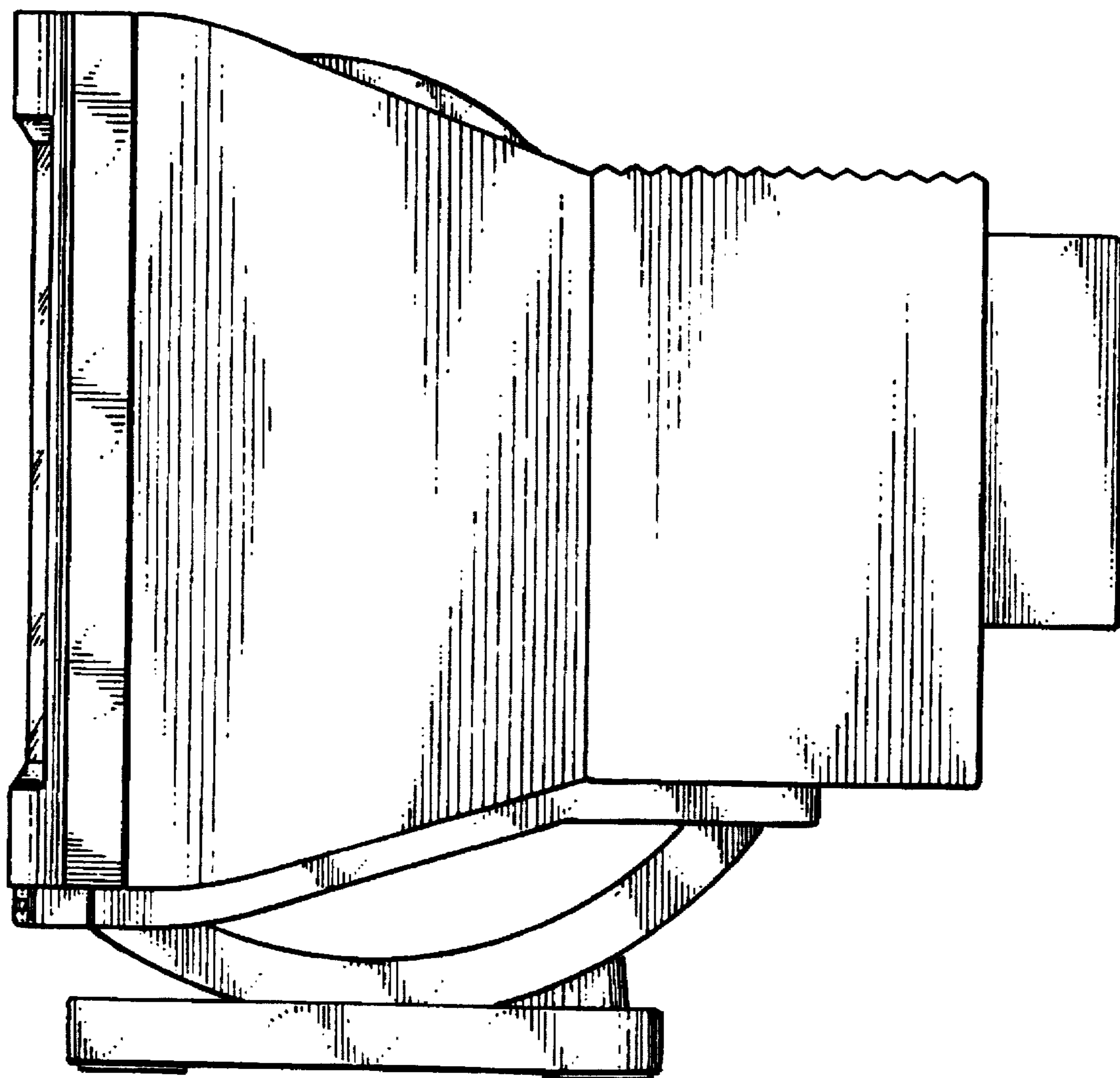


FIG. 2

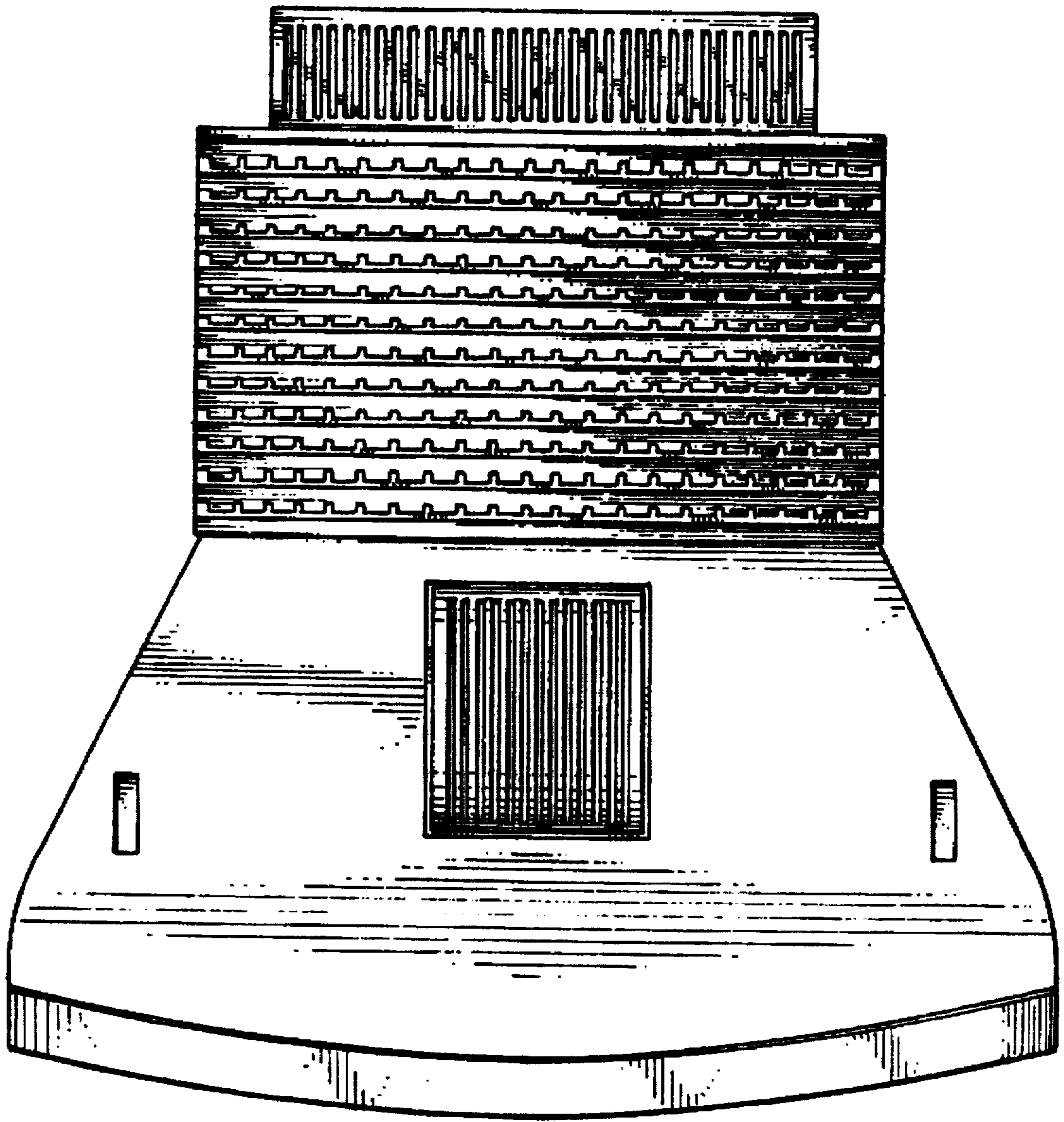


FIG. 3

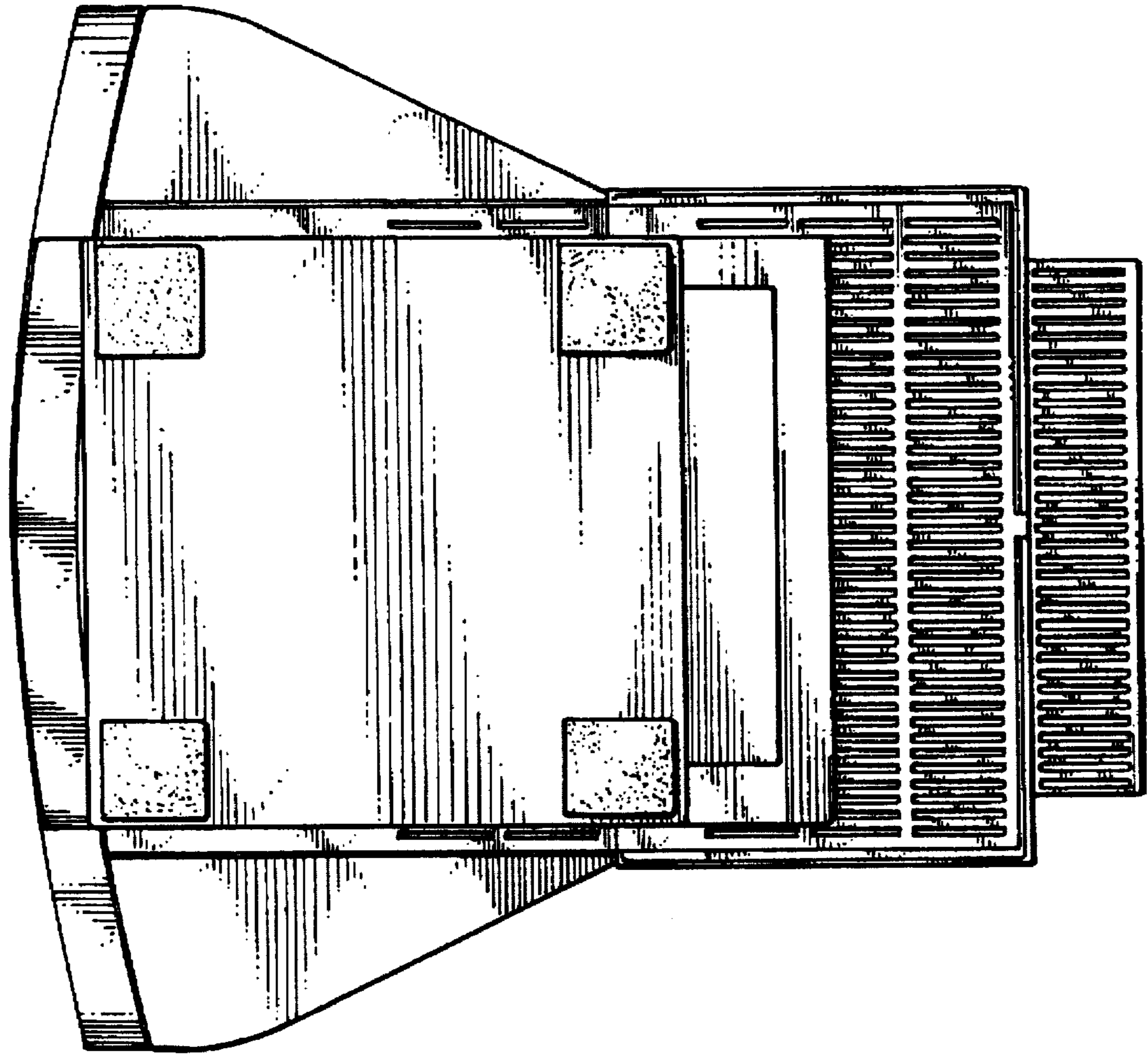


FIG. 4

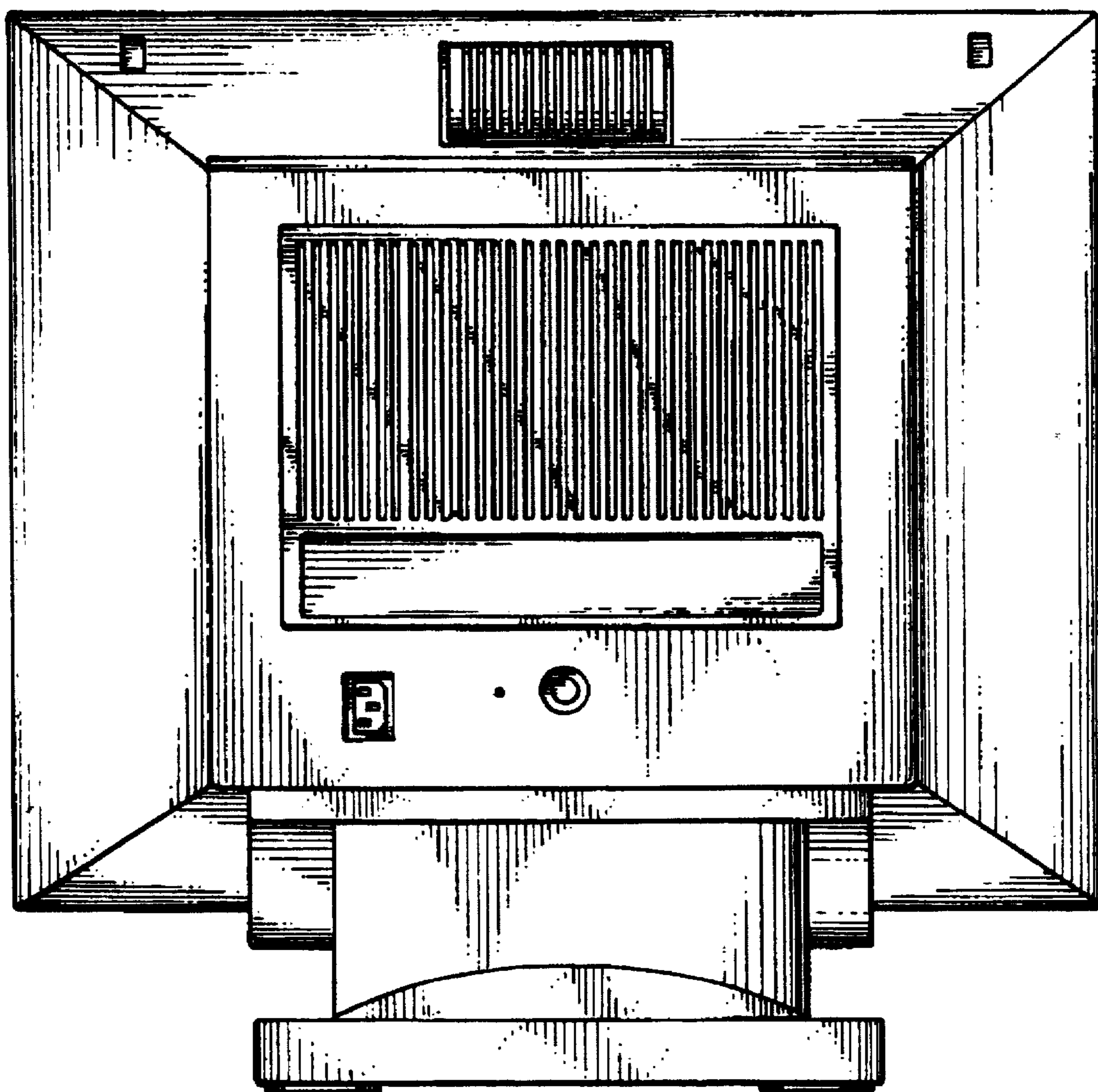


FIG. 5

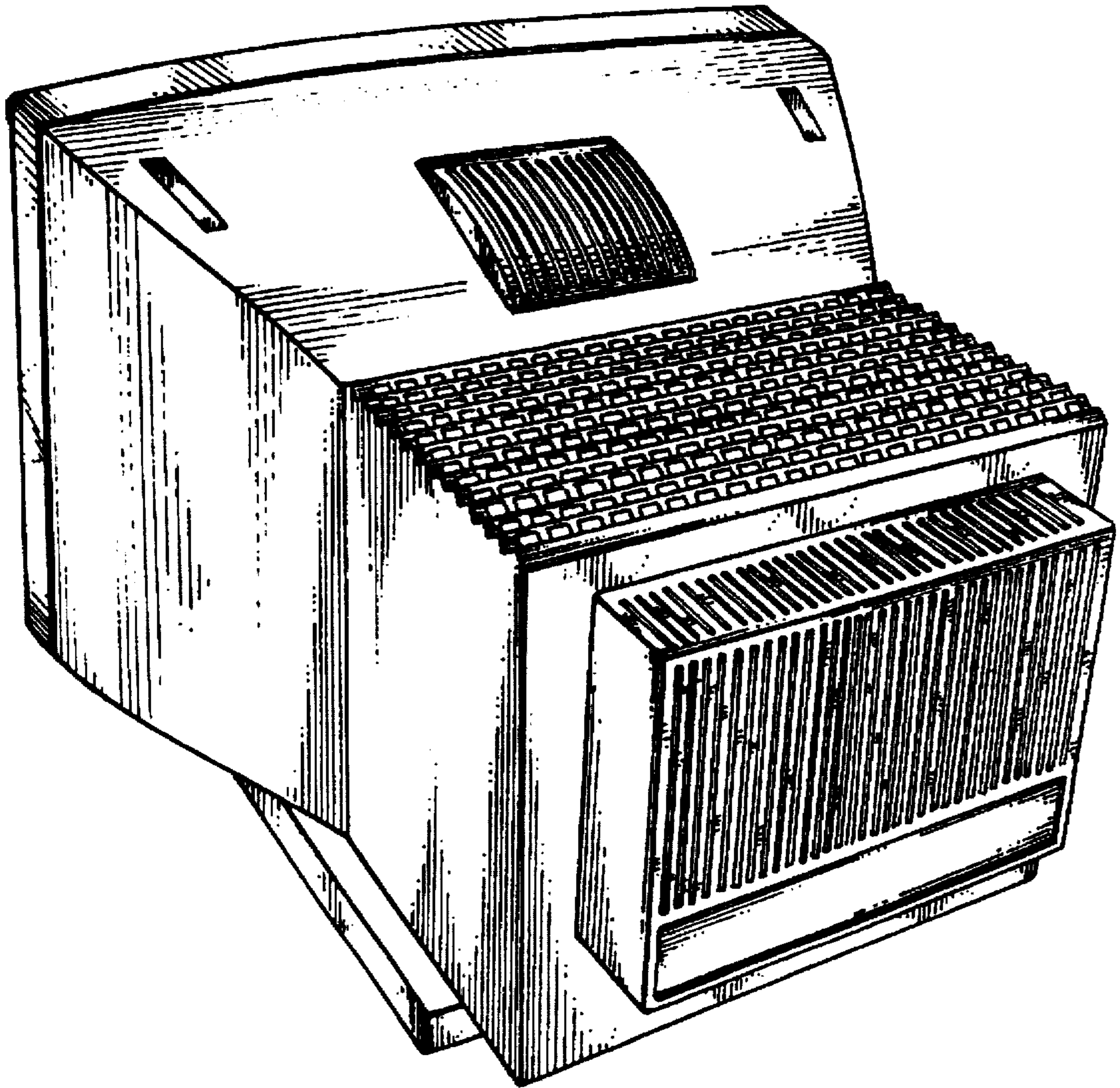


FIG. 6